

TURN OFF MAINS SUPPLY BEFORE STARTING INSTALLATION

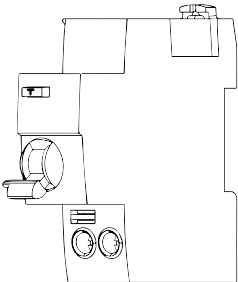
CABLES MUST ONLY BE REPLACED BY THE MANUFACTURER, THEIR SERVICE AGENT OR SIMILAR QUALIFIED PERSON

IF THE TRACK MUST BE SHORTENED DURING INSTALLATION, AFTER CUTTING IT USE THE SPECIAL PLIER (S-9000/T) TO CUT BACK THE 4 COPPER CONDUCTORS OF THE TRACK. MAKE SURE TO REMOVE THE 4 PIECES OF COPPER CONDUCTOR CUT

THE SUPPLY VOLTAGE MUST BE BETWEEN 0 AND 60VDC AND THE SUPPLY CURRENT MUST NOT EXCEED 15A THE OPERATING TEMPERATURE MUST NOT EXCEED 70°C

IT IS FORBIDDEN TO USE CONTROL GEAR, DRIVERS, DATA BUS SYSTEMS AND COMPONENTS THAT ARE NOT SELV-APPROVED

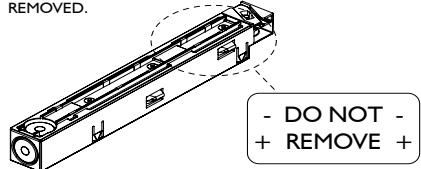
TURN OFF, ISOLATE AND LOCK MAINS POWER SUPPLY AT THE DISTRIBUTION BOARD BEFORE STARTING INSTALLATION



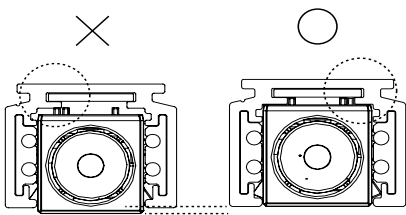
THE TRACK SYSTEM IS POLARISED. THE END FEED MUST BE WIRED AS PER THE LABEL SHOWN BELOW. THE LABEL DETAILS THE CORRECT "+" AND "-" ORIENTATION AND LOCATION.

IF THE END FEED IS WIRED AND INSTALLED IN THE WRONG ORIENTATION THE LED **WILL FAIL**.

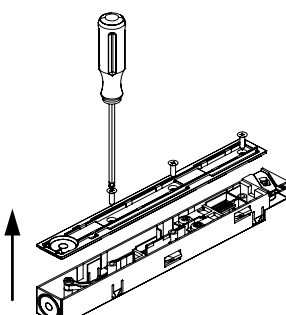
THE ORIENTATION LABEL IS LOCATED ON THE TOP (UNSEEN FACE) OF THE END FEED. THIS LABEL **MUST NOT** BE REMOVED.



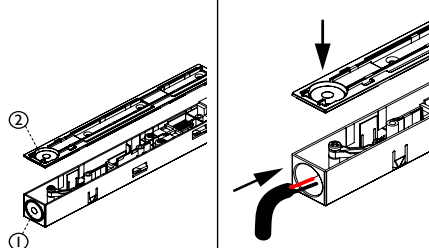
WHEN INSERTING THE END POWER FEED INTO THE TRACK ENSURE IT IS POSITIONED PERFECTLY FLUSH WITH THE TRACK FRONT FACE WITHOUT PROTRUDING.



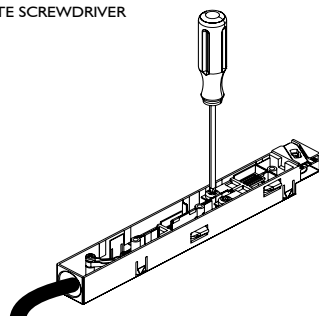
TO ACCESS FEED CONNECTIONS REMOVE THE COVER VIA THE 3 FIXING SCREWS



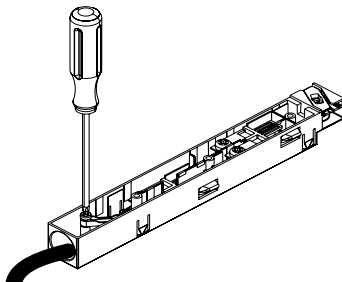
USE 1.5MM<sup>2</sup> CABLES TO WIRE THE END POWER FEED. APPLY FORCE TO REMOVABLE SECTION 1 OR 2 AND FEED THE POWER CABLE THROUGH THE RESULTING HOLE. SUBSEQUENTLY, DEPENDING ON THE HOLE USED, PASS CABLE THROUGH END CAP HOLE OR MAKE A HOLE IN THE TRACK.



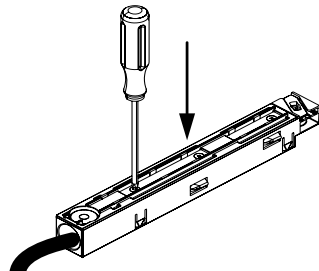
CONNECT FEED CABLES TO THE CONTACTS OF THE END POWER FEED TAKING CARE TO RESPECT THE POLARITY MARKINGS AND FIX THEM USING AN APPROPRIATE SCREWDRIVER



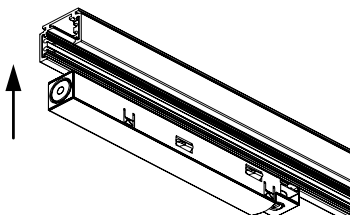
AFTER COMPLETING THE OPERATIONS, USE THE SCREW-MOUNT CABLE CLAMP LOCATED ON THE POWER END FEED TO SECURE THE CABLE IN PLACE



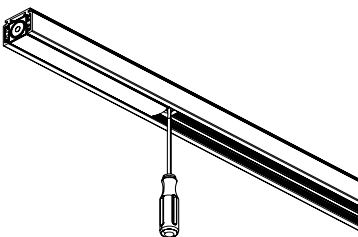
REPLACE THE COVER AND SECURE USING THE 3 SCREWS



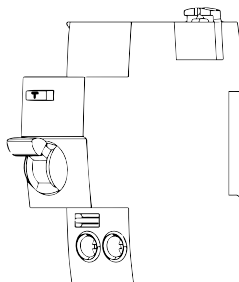
INSERT THE POWER END FEED INTO THE TRACK. CHECK THE ORIENTATION WHEN INSERTING INTO THE TRACK



SECURE THE POWER END FEED BY TURNING THE SCREW WITH A FLAT-HEAD SCREW DRIVER



TURN THE MAINS POWER SUPPLY ON



NOTES

PLEASE NOTE:-These notes are for guidance only. John Cullen accepts no responsibility for any installation using the above and the final decision on installation remains with the installer. All electrical works to be carried out by a qualified electrician.

UK SHOWROOM AND DESIGN STUDIO  
561-563 Kings Road  
London, SW6 2EB, UK  
T: +44 (0) 20 7371 9000  
E: [design@johncullenlighting.com](mailto:design@johncullenlighting.com)  
W: [www.johncullenlighting.com](http://www.johncullenlighting.com)

CUSTOMER SERVICE AND DISTRIBUTION  
Unit 24, Talina Centre, Bagley's Lane,  
London, SW6 2BW, UK  
T: +44 (0) 20 7371 9000  
E: [sales@johncullenlighting.com](mailto:sales@johncullenlighting.com)  
W: [www.johncullenlighting.com](http://www.johncullenlighting.com)

DUBAI SHOWROOM AND DESIGN STUDIO  
2905, JBC2, Cluster V, Jumeirah Lakes Towers  
PO Box 643550 Dubai, United Arab Emirates  
T: +971 (0) 56 423 3062  
E: [sales@johncullenlighting.ae](mailto:sales@johncullenlighting.ae)  
W: [www.johncullenlighting.ae](http://www.johncullenlighting.ae)