

TURN OFF MAINS SUPPLY BEFORE STARTING INSTALLATION

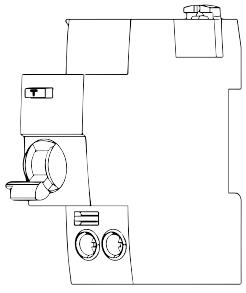
CABLES MUST ONLY BE REPLACED BY THE MANUFACTURER, THEIR SERVICE AGENT OR SIMILAR QUALIFIED PERSON

IF THE TRACK MUST BE SHORTENED DURING INSTALLATION, AFTER CUTTING IT USE THE SPECIAL PLIER (S-9000/T) TO CUT BACK THE 4 COPPER CONDUCTORS OF THE TRACK. MAKE SURE TO REMOVE THE 4 PIECES OF COPPER CONDUCTOR CUT

THE SUPPLY VOLTAGE MUST BE BETWEEN 0 AND 60VDC AND THE SUPPLY CURRENT MUST NOT EXCEED 15A THE OPERATING TEMPERATURE MUST NOT EXCEED 70°C

IT IS FORBIDDEN TO USE CONTROL GEAR, DRIVERS, DATA BUS SYSTEMS AND COMPONENTS THAT ARE NOT SELV-APPROVED

TURN OFF, ISOLATE AND LOCK MAINS POWER SUPPLY AT THE DISTRIBUTION BOARD BEFORE STARTING INSTALLATION



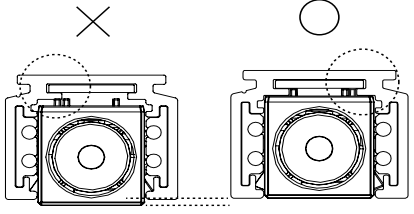
THE TRACK SYSTEM IS POLARISED. ALL PARTS THAT FEATURE THE BELOW LABEL FEED MUST BE WIRED AS PER THE LABEL SHOWN. THE LABEL DETAILS THE CORRECT "+" AND "-" ORIENTATION AND LOCATION.

IF THESE PARTS ARE WIRED AND INSTALLED IN THE WRONG ORIENTATION THE LED **WILL FAIL**.

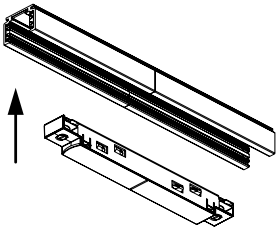
THE ORIENTATION LABEL IS LOCATED ON THE TOP (UNSEEN FACE) OF THE APPLICABLE PARTS. THIS LABEL **MUST NOT** BE REMOVED.

- DO NOT -
+ REMOVE +

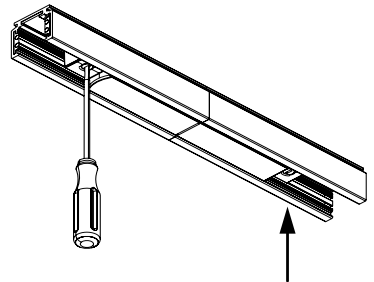
WHEN INSERTING THE LINEAR JOINT INTO THE TRACK ENSURE IT IS POSITIONED PERFECTLY FLUSH WITH THE FRONT FACE OF THE TRACK WITHOUT PROTRUDING.



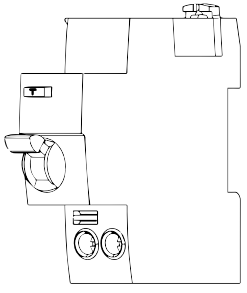
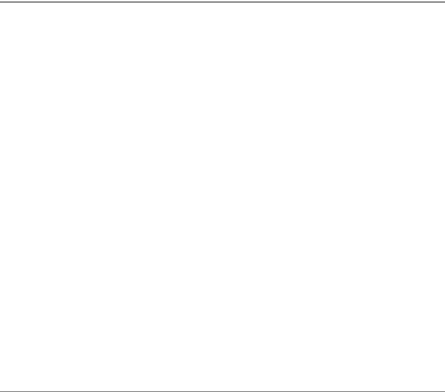
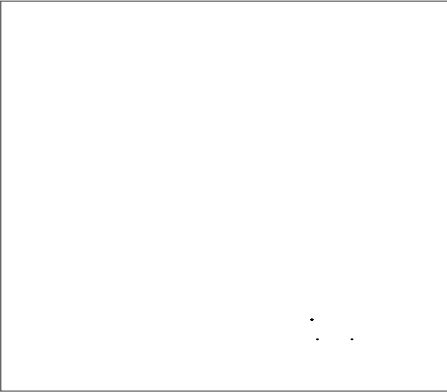
LINEAR JOINT IS USED TO ELECTRICALLY CONNECT TWO SECTIONS OF TRACK. INSERT THE LINEAR JOINT INTO THE TRACK. THE LINEAR JOINT CAN BE INSERTED IN ANY ORIENTATION



ENSURE THE LINEAR JOINT IS POSITIONED CENTRALLY TO THE JOIN. SECURE BY TURNING THE 2 SCREWS WITH A FLATHEAD SCREW DRIVER



TURN THE MAINS POWER SUPPLY ON

NOTES

PLEASE NOTE:-These notes are for guidance only. John Cullen accepts no responsibility for any installation using the above and the final decision on installation remains with the installer. All electrical works to be carried out by a qualified electrician.

UK SHOWROOM AND DESIGN STUDIO
561-563 Kings Road
London, SW6 2EB, UK
T: +44 (0) 20 7371 9000
E: design@johncullenlighting.com
W: www.johncullenlighting.com

CUSTOMER SERVICE AND DISTRIBUTION
Unit 24, Talina Centre, Bagley's Lane,
London, SW6 2BW, UK
T: +44 (0) 20 7371 9000
E: sales@johncullenlighting.com
W: www.johncullenlighting.com

DUBAI SHOWROOM AND DESIGN STUDIO
2905, JBC2, Cluster V, Jumeirah Lakes Towers
PO Box 643550 Dubai, United Arab Emirates
T: +971 (0) 56 423 3062
E: sales@johncullenlighting.ae
W: www.johncullenlighting.ae