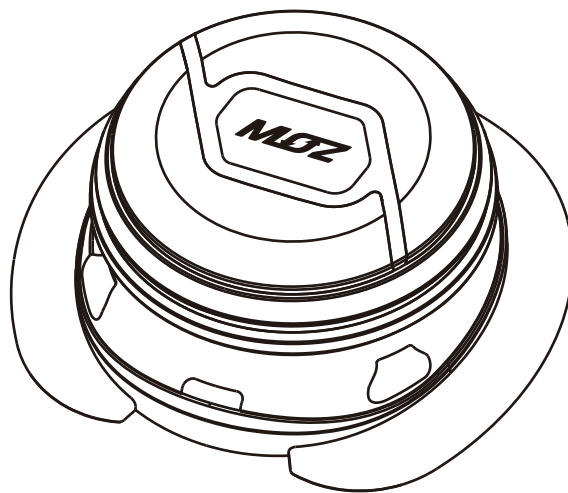


# MOZ

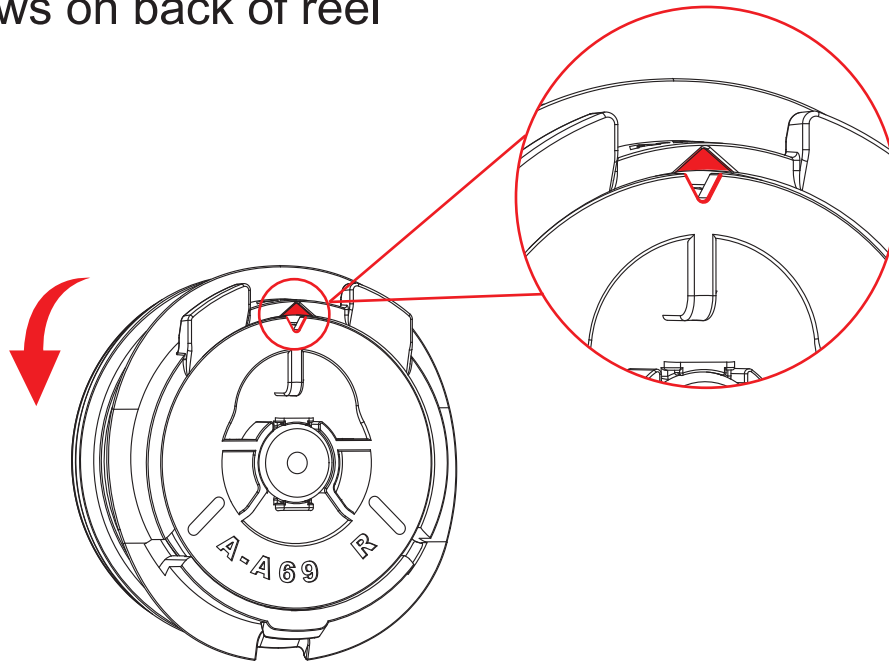
A - A 6 9 Assembled Manual



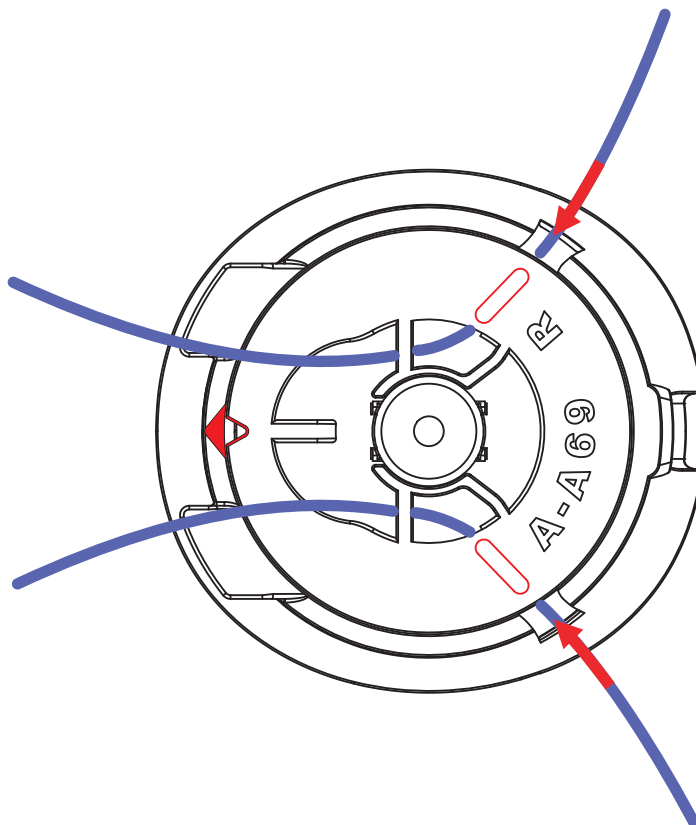
**MOZ** LACING SYSTEM

# ◎ INSERT WIRE

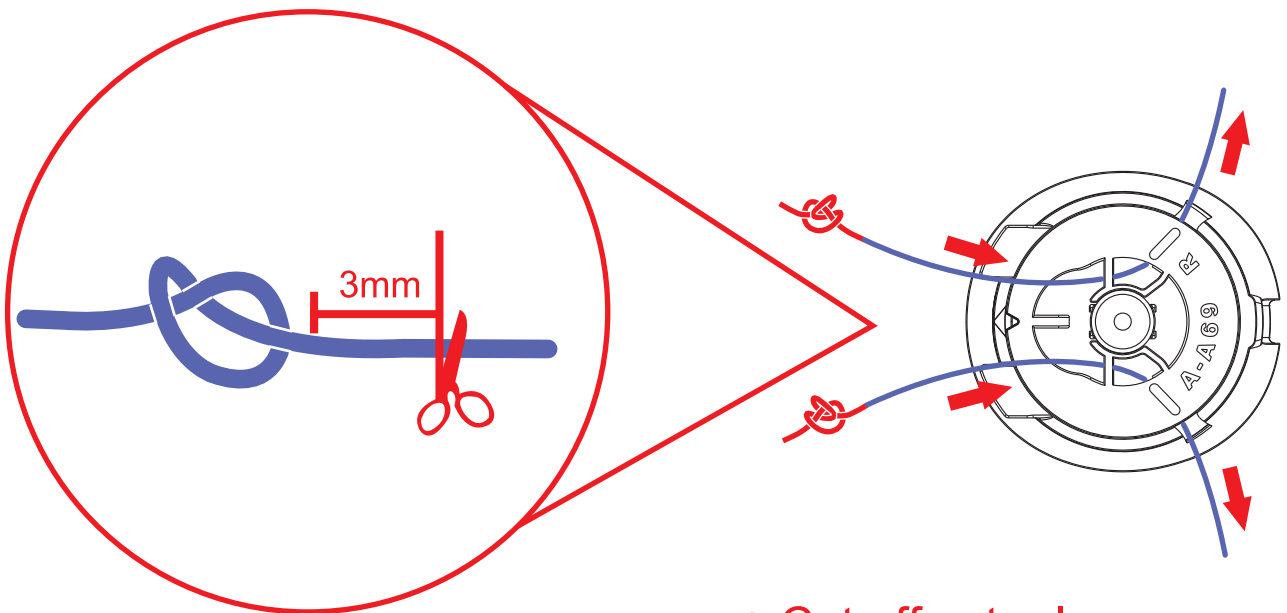
1. Align arrows on back of reel



2. Thread lace into correct reel exists



3. Tie a knot and leave tail at 3 mm



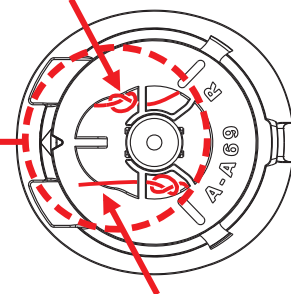
◎ Cut off extra lace

4. Pull knot into reel

Attention 1

Knot do not pull into reel

NG

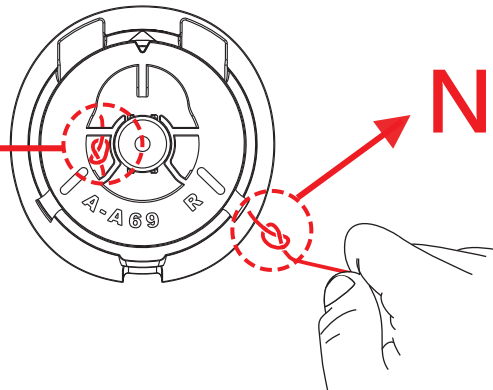


Knot not into reel and tail exceeds 3mm

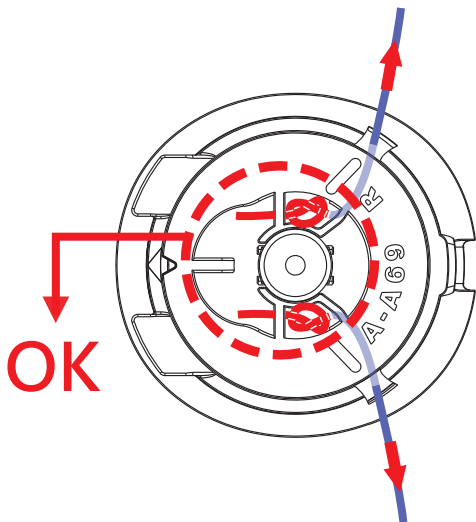
Attention 2

OK

NG

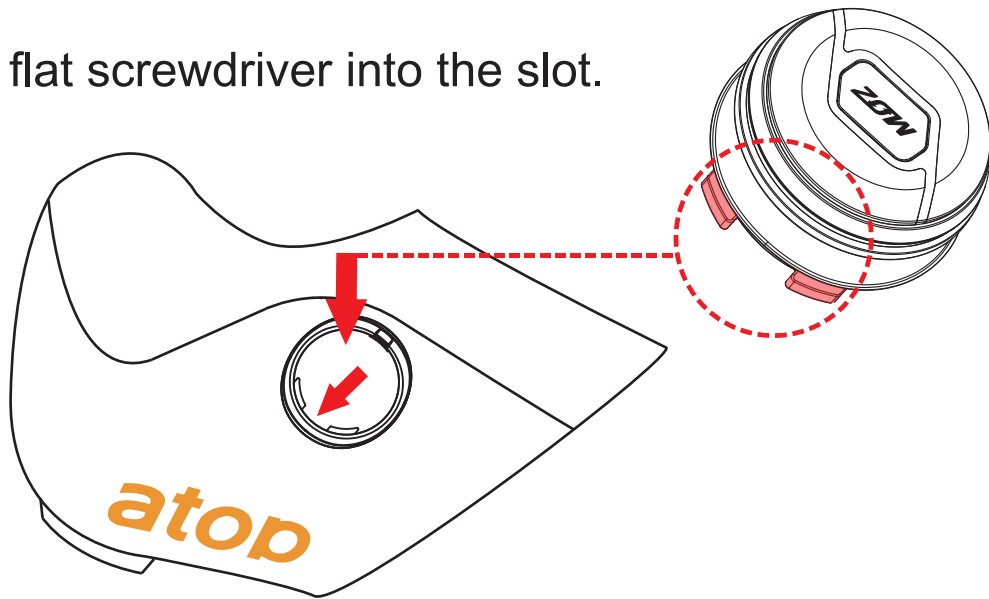


◎ Intentionally pull of the wire out from the reel will damage the reel.

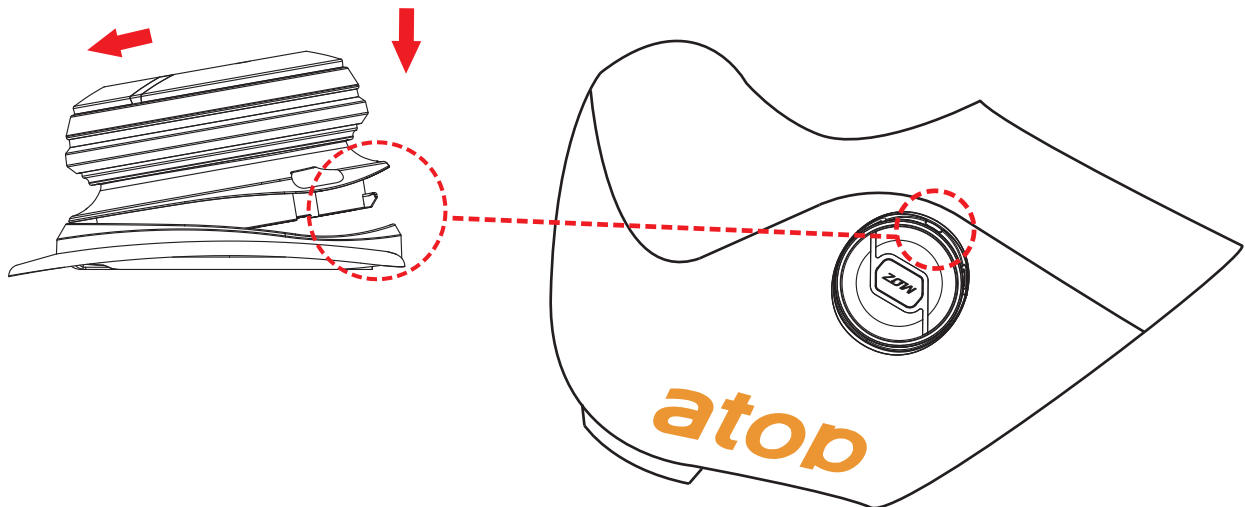


## ⦿ Put MOZ Knob

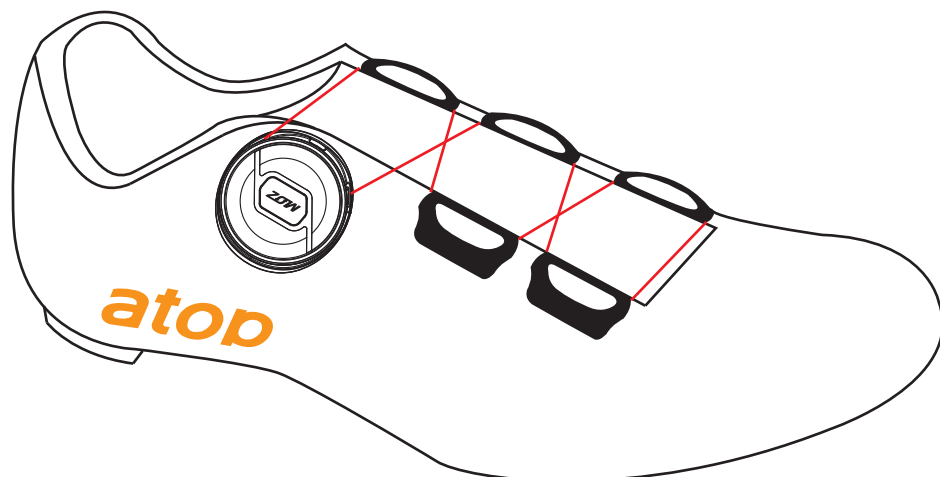
1. Insert a flat screwdriver into the slot.



2. Push down the screwdriver to tap the clip out. Then, take off the knob.

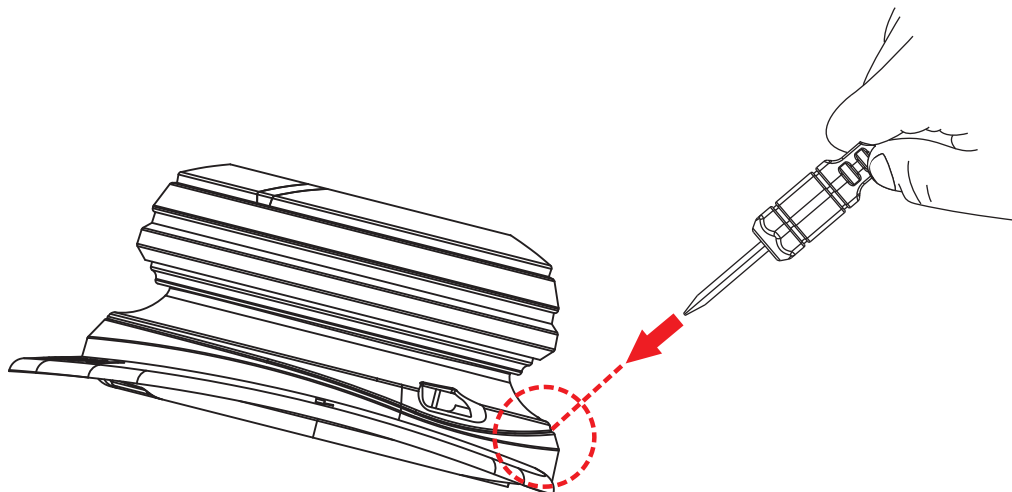


⦿ Finish



## © Remove MOZ Knob

1. Insert a flat screwdriver into the slot.



2. Push down the screwdriver to tap the clip out.  
Then, take off the knob.

