

Casa Elite

Community bed solutions simplified

Flexible, simplified, cost effective solutions



Compliant with EN 60601-1, EN 60601-1-11* and EN 60601-2-52



Casa Elite Standard with Memaflex Static Mattress



Casa Elite Low with Theia Dynamic Mattress System

CASAELITE

Designed and developed for the community care environment; the Casa Elite Home Care bed range provides simplified solutions for equipment provision with an innovative modular design. This range of four section electrical profiling beds with adjustable head, foot and knee sections supports effective patient care. The Casa Elite offers multiple profiling and positioning benefits which can reduce other potential complications of immobility.

*Type B applied parts compliant

drive
DeVilbiss
HEALTHCARE

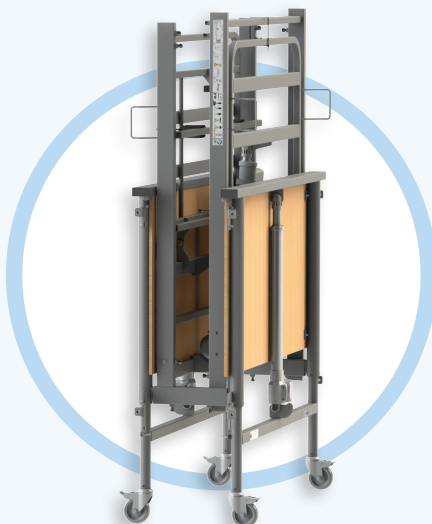
The Casa Elite joins the community and care home bed range offering solutions for all key needs. The Casa Elite is available as a standard or a low model; both bed variants allow the bed to be raised/lowered to a height such that a carer's posture is closer to neutral for the moving and handling of patients.



CASAELITE^{Low}

The Casa Elite Low enables the bed platform to be lowered closer to the floor reducing the risk of a fall from height for vulnerable patients. It can also support independent transfers (ingress/egress from the bed) for some individuals.

Featuring a modular head and footboard design to provide a simplified, yet flexible solution for community equipment provision whether uncovered or covered ends are required. Our bed experts have created a conversion kit which allows the uncovered bed to be transformed with the actuators enclosed in a matter of minutes, with no additional tools required. This design allows for the head and footboards to be quickly and easily replaced or repaired reducing product downtime during service/maintenance.



The Casa Elite is supplied on a transport stand to assist with the transportation and storage of the bed.

The bed is designed for single person installation - all bed sections are below 25kg for safe manual handling. Simple, quick and easy to install requiring only an Allen key (supplied and attached to the bed frame).

A simple modular ordering process; choose a standard or low bed, choose your wood colour then add side rails and accessories required.

Interchangeable spare parts and accessories including side rails, grab handles and padding systems, shared across other Drive DeVilbiss Bed Ranges increases flexibility, offers cost and stock holding benefits; whilst reducing training requirements due to familiarity with the shared items, simplifying bed fleet management and maintenance.

Infusion (Drip) Pole



Lifting Pole



A vast range of compatible accessories are available to meet key user requirements; including the patented full length dipped metal side rails, designed with a stepped down section for easy patient egress and ingress; preventing any excess pressure on the back of the legs whilst moving in or out of the bed.

Patented Dipped Side Rails



Optional Full Length Wooden Side Rails



Available in three wood finishes to compliment room décor. Wood colours available are Beech (this is the standard colour), Light Oak and Walnut.

Wood Finishes



Beech

Standard Colour

Code: **BECH**



Walnut

Optional Colour

Code: **WALN**



Light Oak

Optional Colour

Code: **LOAK**

Comes as standard with an intuitive and easy-to-use 9 button handset. The lightweight handset can be locked-out to ensure vulnerable patients' safety. An optional 10 button handset for Trendelenburg positioning (head down tilt) is available, allowing a tilt of 11 degrees if prescribed for an individual's clinical needs.



Standard 9 button handset



Optional 10 button handset



Handset lock-out feature

The Casa Elite range of beds are compliant to:

EN 60601-1-11*

Medical electrical equipment - Part 1-11 - Requirements for medical electrical equipment and medical electrical systems used in the home healthcare environment.

EN 60601-1

Medical electrical equipment - Part 1 - General requirements for basic safety and essential performance.

EN 60601-2-52

Medical electrical equipment - Part 2-52 - Particular requirements for basic safety and essential performance of medical beds.

*Type B applied parts compliant

Casa Elite Key Features and Benefits

Cardiac chair position

1. Slatted bed platform for ease of cleaning, durability and improved infection control.

2. **Wood finishes:**

The standard wood finish for the Casa Elite is Beech - alternative colours are Light Oak or Walnut. This allows the wood finish to match the room décor.

3. **Side rails:**

The bed can be specified at the point of ordering or retro-fitted later to accommodate changing clinical needs with a range of side rails. This includes 2 bar wooden side rails or 2 bar dipped or standard metal side rails.

The patented metal dipped side rails are innovative as they are designed for easy patient egress and ingress; minimising excess pressure on the backs of the legs whilst transferring into or out of the bed.

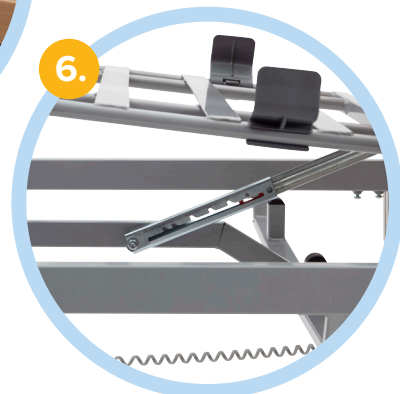
4. Interchangeable accessories including side rails, grab handles and padding systems, shared across other Drive DeVilbiss bed ranges. Simplifying bed fleet management and maintenance. Increasing flexibility, cost and stock holding benefits, whilst reducing training requirements due to familiarity with the shared items.

5. Electrics and Actuators are standard across the Casa Elite, Bradshaw and Alphasite bed ranges, to enable reduced stockholding and improved spare part management.

6. The Casa Elite can be specified with a ratchet to adjust the leg/calf section angle. The calf section of the bed can be raised to enable the users lower legs to remain elevated. Once the knee break has been set at the desired angle, the leg stay angle can be set by lifting and releasing this section manually on the ratchet. To release, raise the leg section to the highest height and then lower.



CASAELITE



10.



7.



7. Auto contour function is a pre-programmed profiling position that raises/lowers both the backrest and knee break simultaneously to promote comfort and minimise migration in the bed. *SOURCE; Preece J 'Total bed management: The way forward in pressure sore prevention', British Journal of Nursing 1999 8 (22) 1524-1529*

8. Reverse Trendelenburg function (foot down position) places the body on an incline with the head elevated up to 11°, profiling the patient to maintain a socially interactive and comfortable position in the bed.

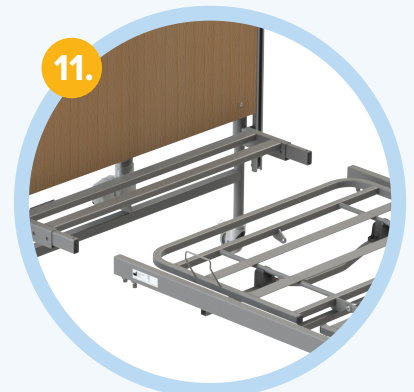
9. The Cardiac chair position additionally provides a comfortable seated position for users nursed in bed, further promoting interaction and comfort whilst undertaking activities, by utilising the auto contour and foot down tilt in combination.

10. Intuitive and easy to use 9 button handset is provided as standard with the Casa Elite. The handset includes a lock-out facility to prevent unauthorised use for additional patient safety.

An optional 10 button handset for Trendelenburg positioning (head down tilt) is available, allowing a tilt of 11° if prescribed for an individual's clinical needs.

11. Optional bed platform extension accommodates taller individuals by increasing the length by 16cm. Extended side rails are also available (wooden or metal) to be used in conjunction with the platform extension to support and provide safe, comfortable and dignified care.

11.



6.



5.

How to order your Casa Elite Bed



All Casa Elite beds are supplied with a Finger Kit (1 x RAIL/FK) for installing side rails (not pre-assembled).



Choose your wood finish



Walnut (Optional)



Beech (Standard)



Light Oak (Optional)

Add conversion kit to create covered head and footends

Bed End Solid Wood Cover

Choose your side rails

Please Note - all Casa Elite Beds are supplied at time of order with a Finger Kit (1 x RAIL/FK) for installing side rails (not pre-assembled).
If purchasing side rails at a later date as an accessory, then a Finger Kit (1 x RAIL/FK) should also be ordered.

Wooden

Metal

For Wooden 2 Bar Side Rails, order 4 x RAIL/W/COLOUR

For Metal Dipped 2 Rail Kit, order 1 x RAIL/M/D/S

For Metal Non-Dipped 2 Rail Kit, order 1 x RAIL/M/ND/S

Side Rail Pads

Side Rail Pads

For users over 185cm add a bed extension

Add bed extension (+16cm)

Add extended side rails

Wooden

Metal

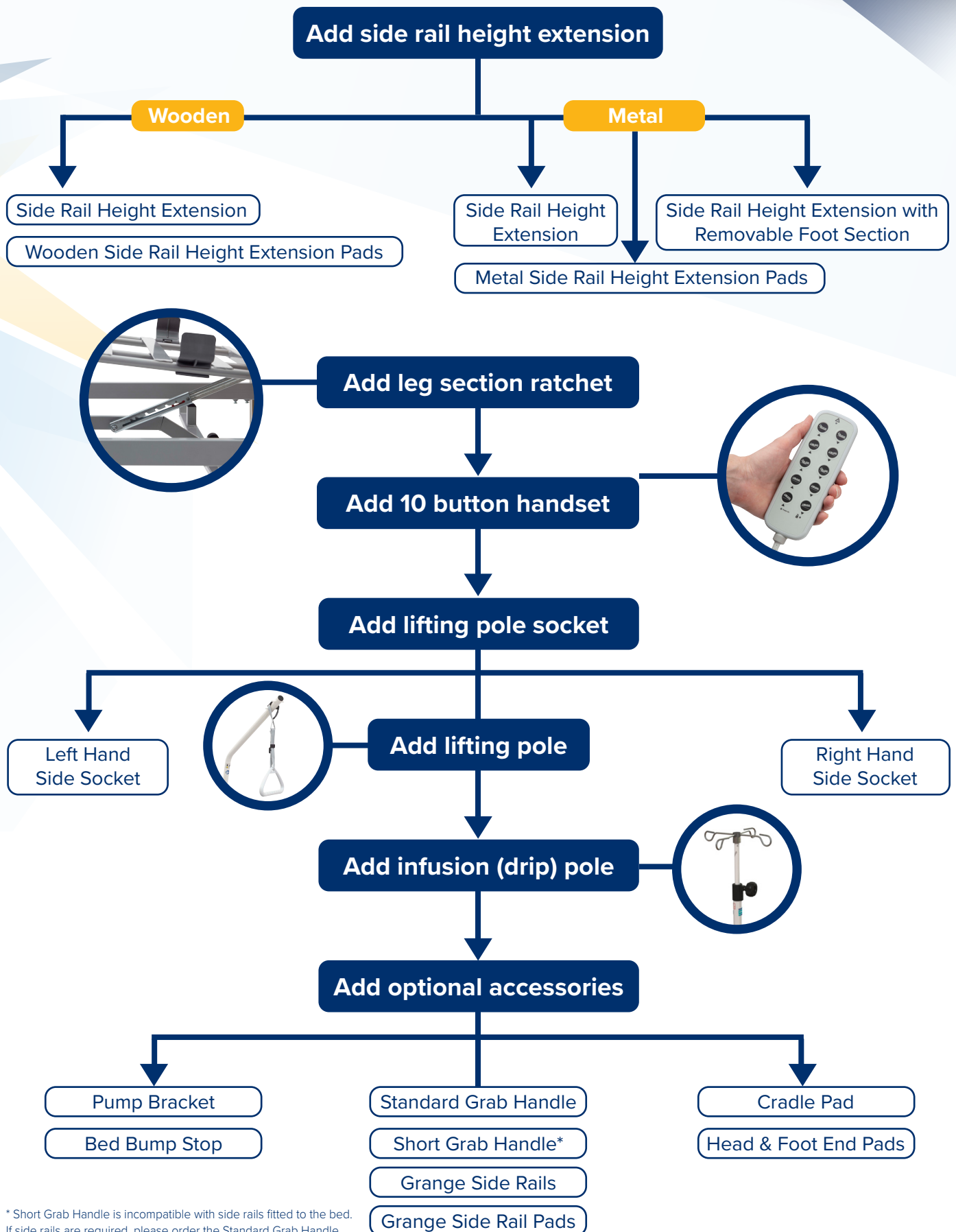
For Wooden Extended Side Rails, order 4 x RAIL/W/EX/COLOUR

For Metal Dipped 2 Extended Side Rails, order 1 x RAIL/M/D/EX/S

For Metal Non-Dipped 2 Extended Side Rails, order 1 x RAIL/M/ND/EX/S

Wooden Extended Side Rail Pads

Metal Extended Side Rail Pads



* Short Grab Handle is incompatible with side rails fitted to the bed. If side rails are required, please order the Standard Grab Handle.

Specifications

All Casa Elite beds are supplied with a Finger Kit (1 x RAIL/FK) for installing side rails (not pre-assembled).

*Add the wood colour to the end of the bed product code (Beech = **BECH**, Light Oak = **LOAK** and Walnut = **WALN**)

 CASAELITE	 CASAELITE^{Low}
CASA/H/STD/*COLOUR*	CASA/H/LOW/*COLOUR*
Overall Bed Width: 102.5cm	Overall Bed Width: 102.5cm
Overall Bed Length: 214cm	Overall Bed Length: 214cm
Overall Platform Width: 90.7cm	Overall Platform Width: 90.7cm
Overall Platform Length: 200.2cm	Overall Platform Length: 200.2cm
Mattress Platform Height (min): 38.6cm	Mattress Platform Height (min): 19.2cm
Mattress Platform Height (max): 80.6cm	Mattress Platform Height (max): 61.2cm
Underbed Clearance for Hoist: 34.2cm	Underbed Clearance for Hoist: 15cm
Trendelenburg Tilt 11° +/- 1°	Trendelenburg Tilt 11° +/- 1°
Max User Weight: 165kg (26st)	Max User Weight: 165kg (26st)
Max Safe Working Load: 200kg (31½st)	Max Safe Working Load: 200kg (31½st)
Product Weight on Transport Stand: 66kg	Product Weight on Transport Stand: 66kg
Warranty: 1 year full parts and labour + 2 years parts only	Warranty: 1 year full parts and labour + 2 years parts only

Metal Side Rails

Please Note - all Casa Elite Beds are supplied at time of order with a Finger Kit (1 x RAIL/FK) for installing side rails (not pre-assembled).

If purchasing side rails at a later date as an accessory, then a Finger Kit (1 x RAIL/FK) should also be ordered.

Product Code	Description
1 x RAIL/M/D/S	Metal Dipped Side Rail Kit (Set of side rails) - Silver. (No finger kit included)
1 x RAIL/M/D/EX/S	Metal Extended Dipped Side Rail Kit (Set of side rails) - Silver. (No finger kit included)
1 x RAIL/M/ND/S	Metal Non-Dipped Side Rail Kit (Set of side rails) - Silver. (No finger kit included)
1 x RAIL/M/ND/EX/S	Metal Extended Non-Dipped Side Rail Kit (Set of side rails) - Silver. (No finger kit included)
1 x RAIL/FK	Finger Kit for Side Rails
RAIL/M/HEX/S	Metal Side Rail Height Extension - Silver
RAIL/M/HEX/RF/S	Metal Side Rail Height Extension with Removable Foot Section - Silver

Wooden Side Rails

Please Note - all Casa Elite Beds are supplied at time of order with a Finger Kit (1 x RAIL/FK) for installing side rails (not pre-assembled).

If purchasing side rails at a later date as an accessory, then a Finger Kit (1 x RAIL/FK) should also be ordered.

*For wooden side rails add the chosen wood colour to the end of the bed product code (Beech = BECH, Light Oak = LOAK and Walnut = WALN)

Product Code	Description
4 x RAIL/W/COLOUR*	Wooden 2 Bar Rails. Order x 4 for a complete set. (No finger kit included)
4 x RAIL/W/EX/COLOUR*	Wooden Extended 2 Bar Rails. Order x 4 for a complete set. (No finger kit included)
1 x RAIL/FK	Finger Kit for Side Rails
RAIL/W/HE/EX	Wooden Side Rail Height Extension

Pads

Product Code	Description
SOLITE/PRO/SR/PAD	Metal Side Rail Pads
SOLITE/PRO/SR/EXT/PAD	Metal Extended Side Rail Pads
SOLITE/PRO/SR/HE/1/PAD	Integral Metal Side Rail Height Extension Pads
1275/PS	Wooden Side Rail Pads
1275/PS/EXT	Wooden Extended Side Rail Pads
1316/PS/CREAM	Grange Side Rail Pad
SOLITE/PRO/EPS/PAD	Cradle Pad
SOLITE/PRO/HF/PAD	Bed Foot and Head Board Pads

Accessories

Product Code	Description
CASA/BE/*COLOUR*	Bed End Solid Wood Cover
CASA/BED/EX	Casa Bed Length Extension 16cm
BED/RATCHET	Leg Section Ratchet
CASA/PUMPBKT	Casa Pump Bracket
SOLITE/LASER/LP/1	Lifting Pole
CASA/LPSOCKET/RH	Lifting Pole Socket, Right Hand
CASA/LPSOCKET/LH	Lifting Pole Socket, Left Hand
BED/DP	Infusion (Drip) Pole
BED/BUMPSTOP	Bed Bump Stop
CONTROL/130	10 Button Handset
1210/GRAB	Standard Grab Handle
1216/GRAB**	Short Grab Rail
GRANGE/SR	Grange Side Rail

** 1216/GRAB is incompatible with side rails fitted to the bed. If side rails are required, please order 1210/GRAB.

Leaflet Code: **LL488**

Drive DeVilbiss Healthcare Ltd.
Sidhil Business Park, Holmfield, Halifax, West Yorkshire HX2 9TN

Casa_Elite_Community_Bed_Brochure_LL488_230814_5.0

drive

DeVilbiss
HEALTHCARE