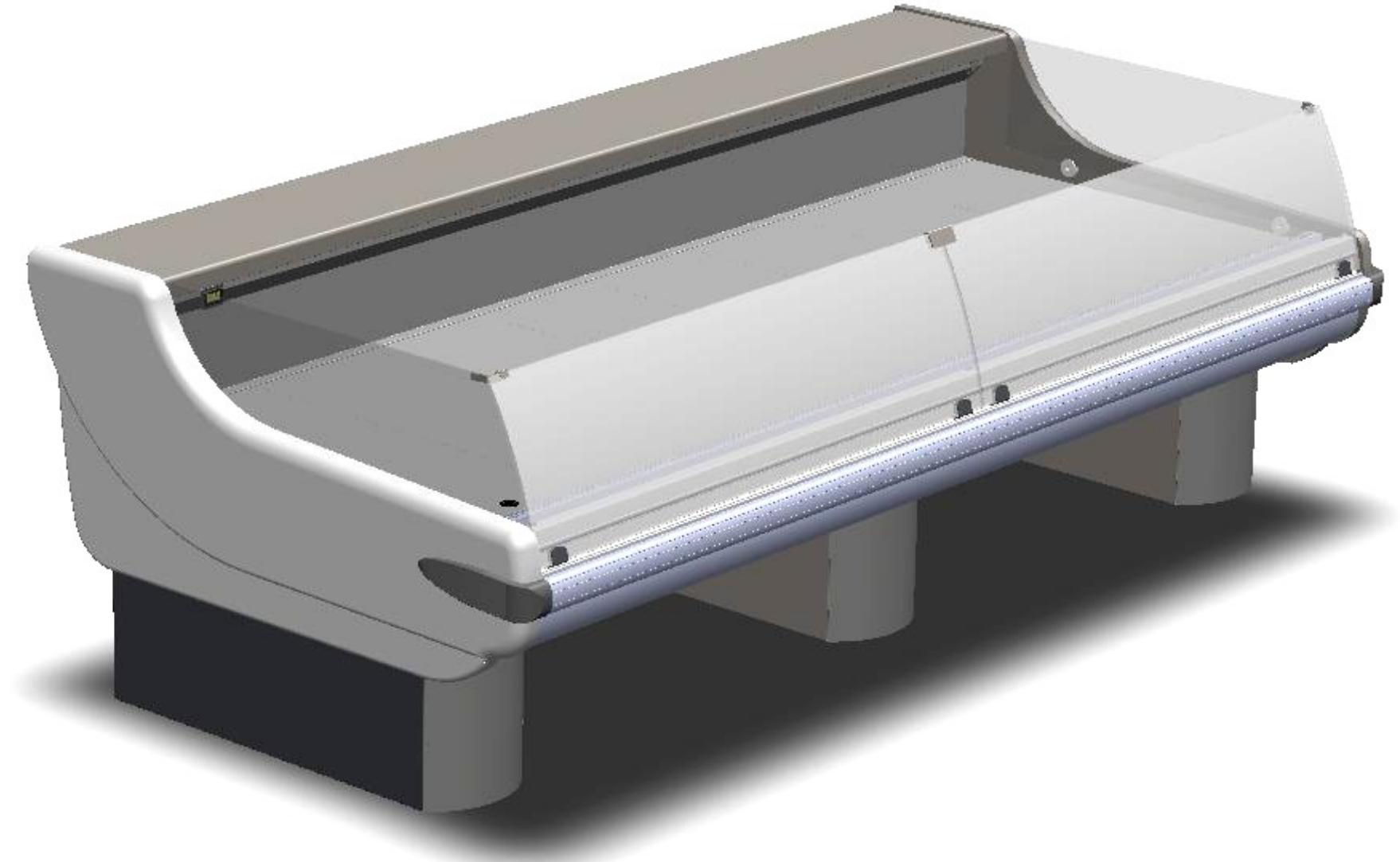
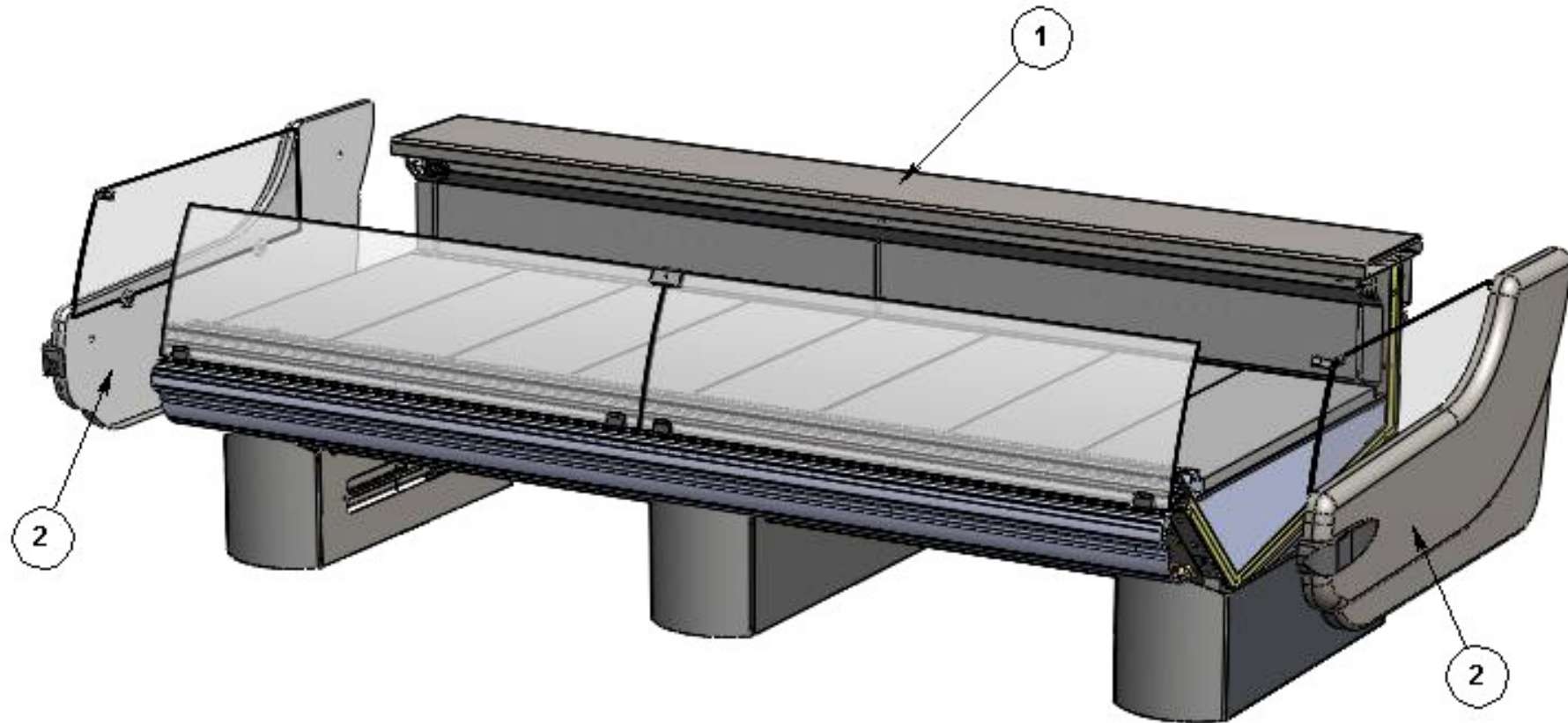




EXPLODED VIEW

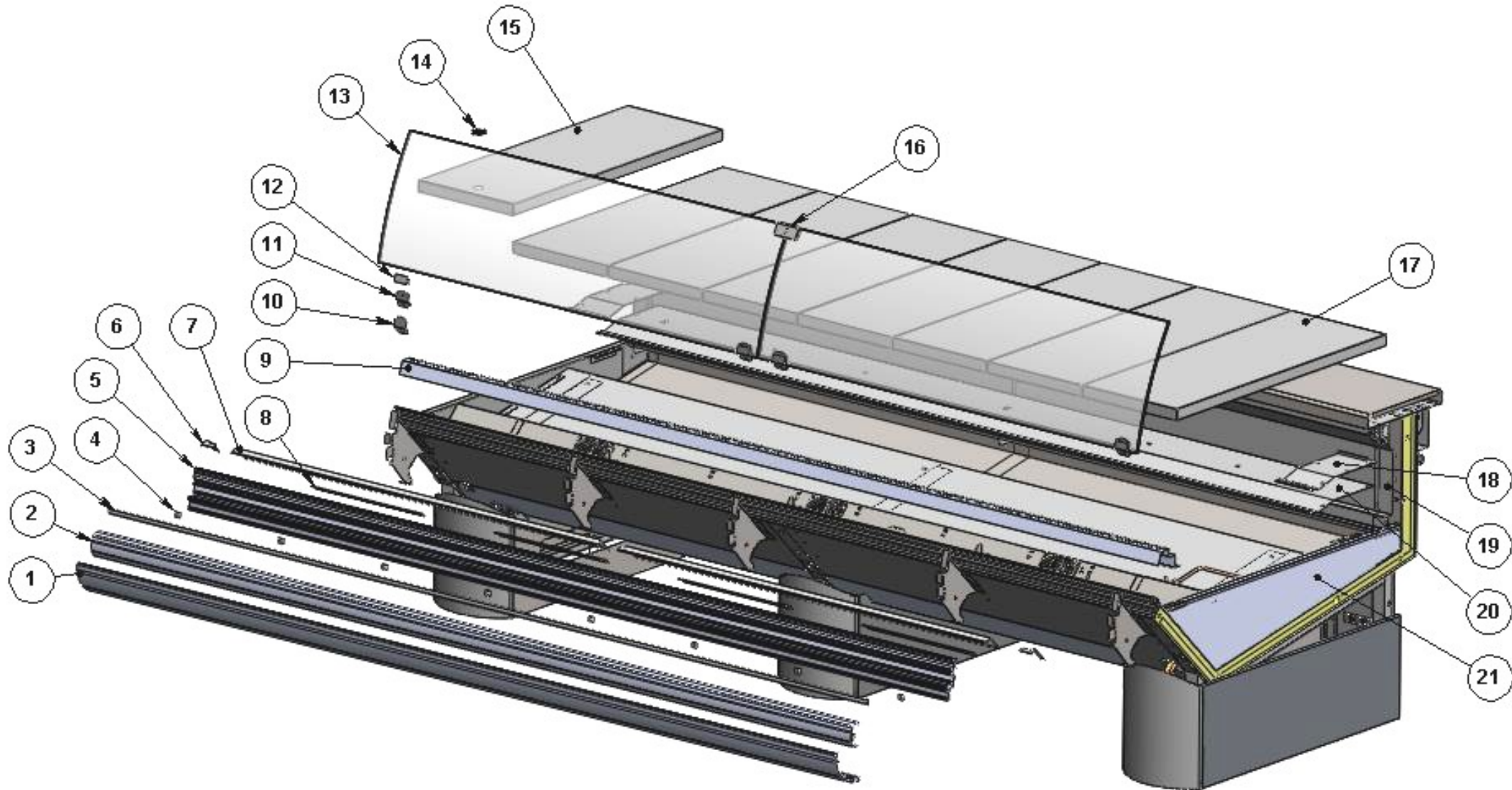
FIRENZE SELF SERVICE



GENERAL SPLITTING UP

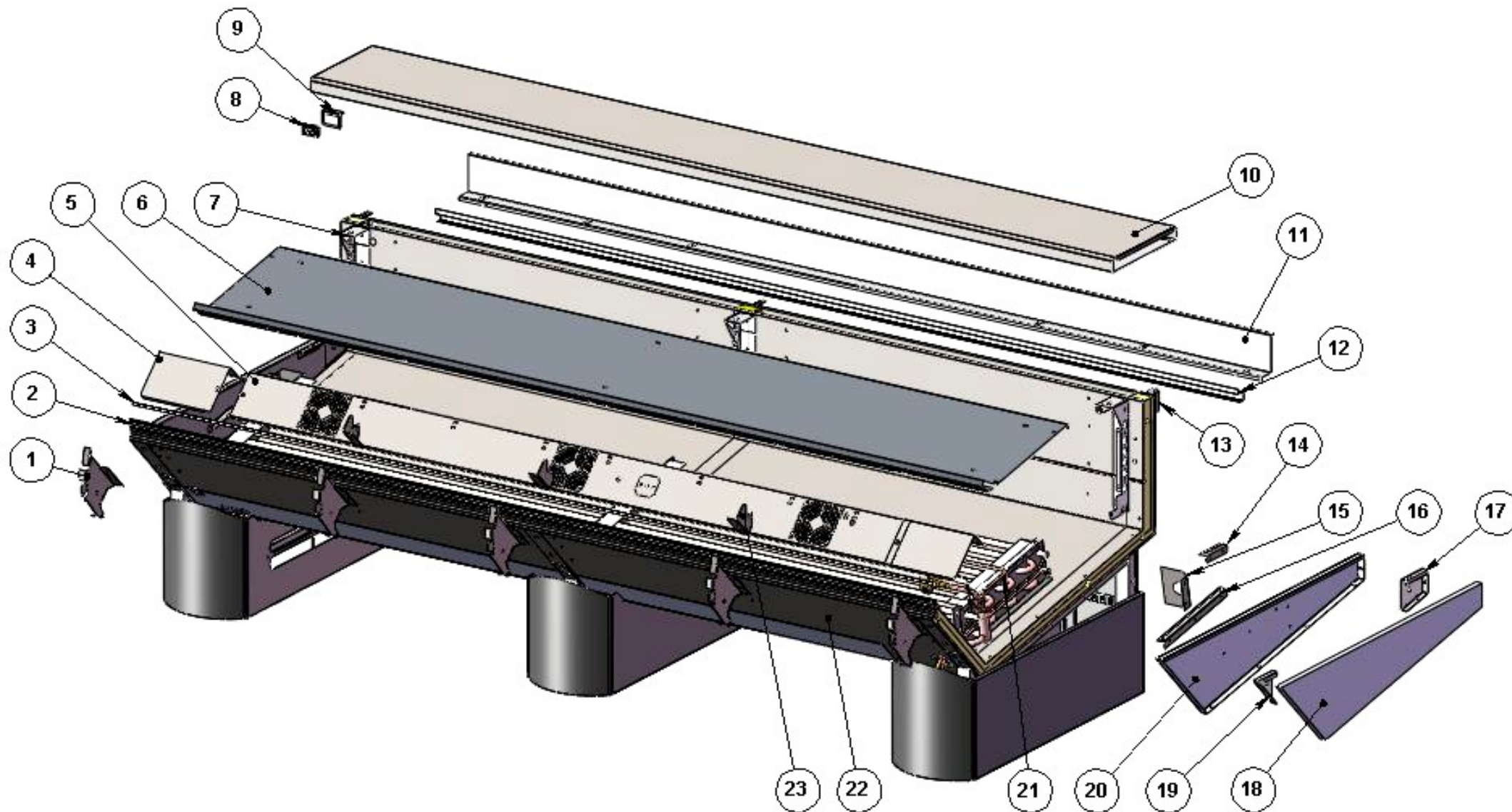
1. INTERNAL FINISH, FRONTAL DECORATION
2. LATERAL SIDE WALL

1. INTERNAL FINISH, FRONTAL DECORATION



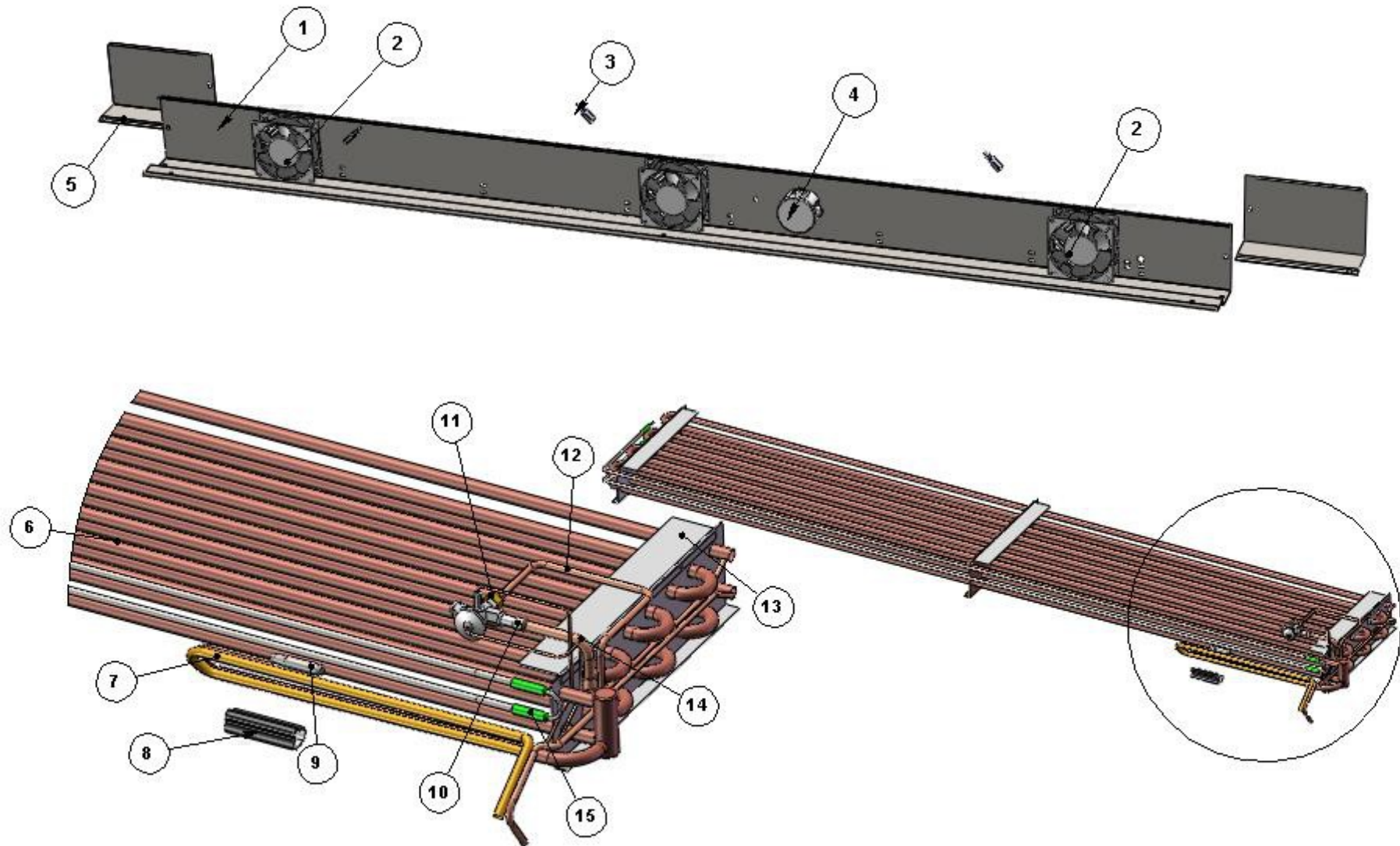
ITEM NUMBER	DOCUMENT NUMBER	TITLE	MATERIAL	PART NO. FOR EACH MODULE					
				937	1250	1875	2500	3125	3750
1.	TT0L003	TOP DECORATION PROFIL	ALUMINIUM	2FI1250F0011					
2.	TT0L002	BUMPER PROFIL	PVC	2FI1250F0009					
3.		LITTLE RUBBER INSERT PROFIL	PVC	4180409					
4.	TT0L004	COUPLING BUMPER BRACKET		6FI1250F0008					
5.	TT0L039	GLASS REBATE PROFIL		2FI1250F0007					
6.	TT0G002	LATERAL UPRIGHT STOPPER	PLASTICIZED SHEET 6/10	6FI1250F0003 (SX)					
				6FI1250F0002 (DX)					
				6FI1250F0004		6FI1870F0006(SX)			
7.	TT0G003	CENTRAL UPRIGHT STOPPER	PLASTICIZED SHEET 6/10	6FI1870F0005 (DX)					
				-		-		6FI3750F0004 (CX)	
8.	TT0L022	PST STOPPER SUPPORT	GALVANIZED SHEET 7/10	6FI1250F0012					
9.	TT0G005	SUCTION GRID WITH BAFFLE LINEAR MODULES	STAINLESS STEEL AISI304 SB 8/10	6FI093040011	6FI125040011	6FI187040011	6FI250040011	6FI312040011	6FI375040011
10.	RG126	BACK GLASS FIXING BRACKET S/S	STAINLESS STEEL AISI304 2B 15/10	6SV072030403					
11.	RG126	FRONT GLASS FIXING BRACKET S/S	STAINLESS STEEL AISI304 2B 15/10	6SV072030402					
12.		GLASS GASKET PVC PROFIL U ART.P0 924	PVC	4180100					
13.	TT0D055	FRONT GLASS SELF SERVICE		4191586	4191587	4191586	4191587	4191586	4191587
14.		FAIR LEAD LITTLE RUBBER D25		4113102					
15.	TT0K001	REMOVABLE DISPLAY PLATE WITH HOLE	STAINLESS STEEL AISI304 8/10	6FI125040004					
16.		GLASS STOP MANOR SS POLYCARBONATE MP160		4081335					
17.	TT0K001	REMOVABLE DISPLAY PLATE WITHOUT HOLE	STAINLESS STEEL AISI304 8/10	6FI125040002					
18.	TT0F016	BOTTOM CLOSURE EVAPORATOR STOPPER	STAINLESS STEEL AISI304 8/10	6FI125040022					
19.	TT0G004	AIR OUTLET GRID FOR FRONT UPRIGHT	STAINLESS STEEL AISI304 8/10	6FI093040009	6FI125040009	6FI187040009	6FI250040009	6FI312040009	6FI375040009
20.	TT0F006	BACK CLOSURE EVAPORATOR	STAINLESS STEEL AISI304 8/10	6FI093040020	6FI125040020	6FI187040020	6FI250040020	6FI312040020	6FI375040020
21.		BASIN INTERNAL FINISH							

1.1. BASIN INTERNAL FINISH



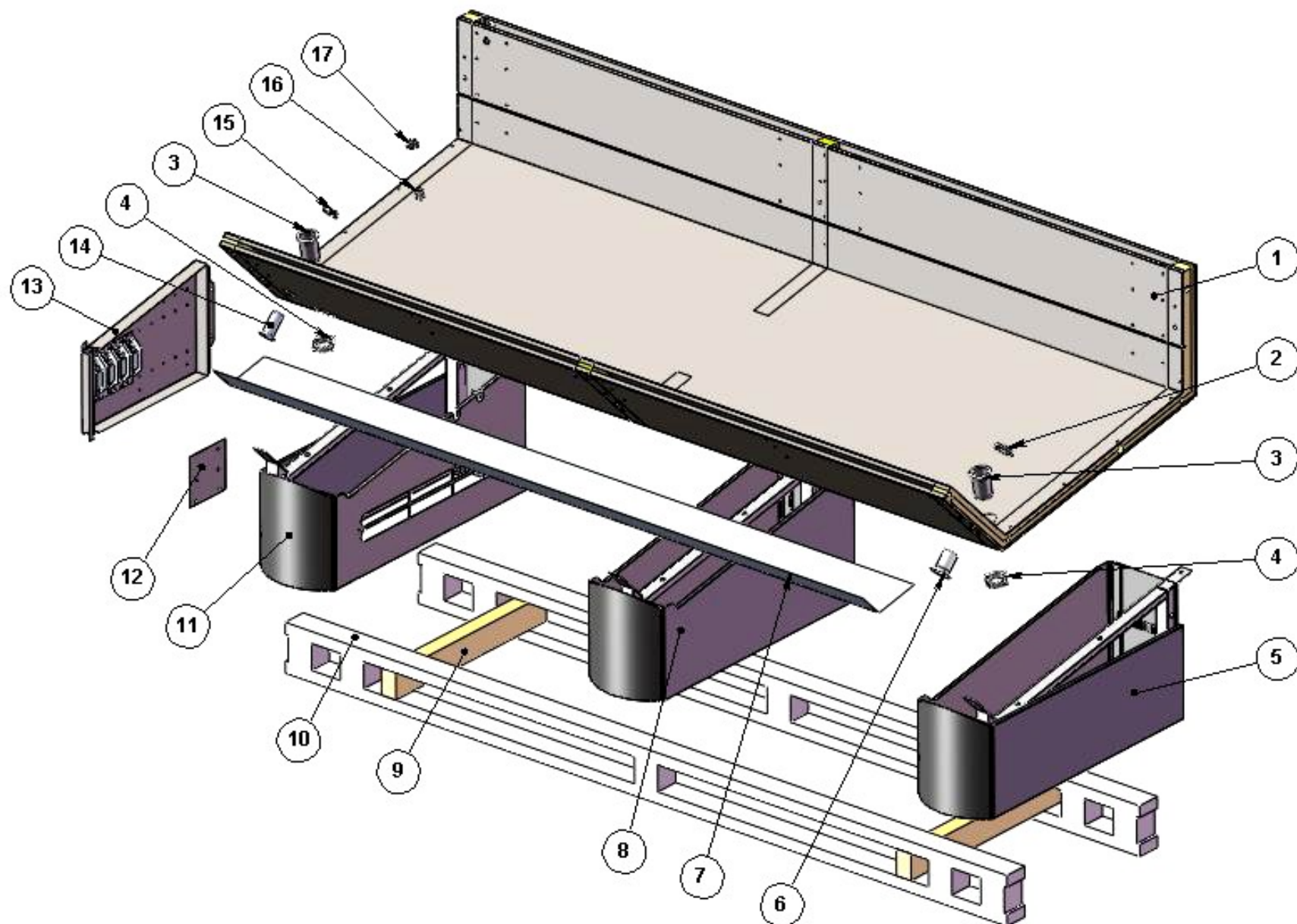
ITEM NUMBER	DOCUMENT NUMBER	TITLE	MATERIAL	PART NO. FOR EACH MODULE					
				937	1250	1875	2500	3125	3750
1.	TT0L001	PANEL SUPPORT TOP BRACKET	GALVANIZED SHEET 15/10	6FI1250F0001					
2.	TT0G013	BAFFLE SUPPORT PROFIL	ATOXIC GLASS BAFFLE PVC PROFILE 4400	2FI093040007	2FI125040007	2FI187040007	2FI250040007	2FI312540007	2FI375040007
3.		LITTLE RUBBER INSERT PROFILE		4180409					
4.	TT0F003	DRAIN INSPECTION COMPARTMENT	STAINLESS STEEL AISI304 6/10	6FI125040124 (SX)					
				6FI125040123 (DX)					
5.		FANS HOLDER ASSEMBLY		2FI093040017	2FI125040117	2FI187040117	2FI250040117	2FI312040117	2FI375040117
6.	TT0F001	EVAPORATOR COVER	STAINLESS STEEL AISI304 8/10	6FI093040016	6FI125040116	6FI187040116	6FI250040116	6FI312040116	6FI375040116
7.	TT0G006	BACK GRID SUPPORT BRACKET	IRON SHEET 15/10	6FI125040113(SX)					
				6FI125040112(DX)					
8.		DIGITAL THERMOMETER		4131307					
9.	TT0C002	THERMOMETER HOLDER	STAINLESS STEEL AISI304 15/10	6FI125020007					
10.		WORKING TABLE		2FI093010000	2FI125010000	2FI187010000	2FI250010000	2FI312010000	2FI375010000
11.	TT0H013	BLIND WIREWAY	PLASTICIZED SHEET 6/10	6FI093010007	6FI125010007	6FI187510007	6FI250010007	6FI312010007	6FI375010007
12.	TT0H014	SLIDING GUIDE FOR ACCESSORIES	STAINLESS STEEL AISI304 8/10	6FI093010028	6FI125010028	6FI187510028	6FI250010028	6FI312010028	6FI375010028
13.	TT0H004	BACK PLATFORM SUPPORT	IRON SHEET 20/10	6FI125010009(DX)					
				6FI125010011(SX)					
14.	TT0F 007	BACK CLOSURE SUPPORT	STAINLESS STEEL AISI304 5/10	6FI125040121					
15.	TT0F 005	LATERAL CLOSURE EVAPORATOR	STAINLESS STEEL AISI304 6/10	6FI125040119					
16.	PP 379	EVAPORATOR COVER SUPPORT	STAINLESS STEEL AISI304 6/10	6PP096040006					
17.	RG106	BACK STOPPER BRACKET	IRON SHEET 15/10	6SV072040041(SX)					
				6SV072040040(DX)					
18.	PP042	BASIN INSULATING STOPPER	POLYSTYRENE D.30	2PP096040006					
19.	RG 034	SIDE WALL FIXING BRACKET	IRON SHEET 15/10	6SV072040039(SX)					
				6SV072040038(DX)					
20.	PP013	BASIN STOPPER	STAINLESS STEEL AISI304 5/10	6PP096040001(SX)					
				6PP096040000(DX)					
21.		EVAPORATOR		2FI093150001	2FI125150001	2FI187153001	2FI250150001	2FI312150001	2FI312153001
22.		BOTTOM BASIN ASSEMBLY							
23.	TT0G007	FRONT GRID SUPPORT BRACKET	STAINLESS STEEL AISI304 5/10	6FI125040015					

1.1.1. FANS HOLDER. EVAPORATOR



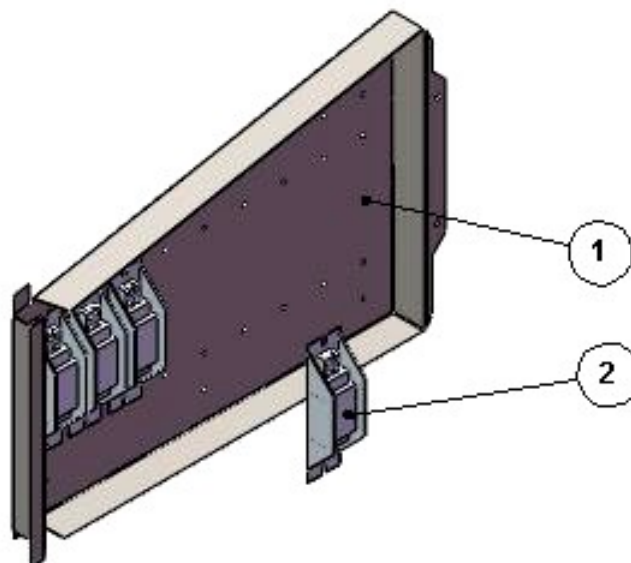
ITEM NUMBER	DOCUMENT NUMBER	TITLE	MATERIAL	PART NO. FOR EACH MODULE					
				937	1250	1875	2500	3125	3750
1.	TT0F002	FANS HOLDER	STAINLESS STEEL AISI304 6/10	6FI093040018	6FI125040118	6FI187040118	6FI250040118	6FI312040118	6FI375040118
2.		MOTORFAN		4241007					
3.		CABLE CONNECTOR L. 1525 MM		4110606					
4.		SHUNT BOX D.65 GEWISS	PLAST INSULATING MAT. GW	4115401					
5.	TT0F003	DRAIN INSPECTION COMPARTMENT REMOVABLE PLATE	STAINLESS STEEL AISI304 6/10	6FI125040023 (DX)					
				6FI125040024 (SX)					
6.	RG215	EVAPORATOR	COOPER TUBES	4220342	4220343	-	-	-	-
	RG216		-ALUMINIUM SHEETS	-	-	4220344	4220345	4220309	4220346
7.	TT0F008	SUCTION TUBE	COOPER TUBES 10X12	4260104					
8.		ANTICONDENSATE TUBE	INSULATING SPONGE 6X22	4270505					
9.		VALVE BULB							
10.		WELDED VALVE THERMOSTAT.R404 TES/2		4251311					
11.		PIPE UNION 3/8SAE Ø 8		4272415					
12.	PP303.1	EVAPORATOR DELIVERY SIDE TUBE	COOPER TUBES Ø8	4271314					
13.	CC0F012	EVAPORATOR COVER SUPPORT BRACKET	SILVER PLATED +PLASTICIZED ALUMINIUM 20/10	6PP096040036					
14.	PP293.1	VALVE - EVAPORATOR TUBE WITH LIQUID DISTRIBUTOR	COOPER TUBES Ø12 – Ø6	4271313					
15.	TT0F023	DEFROSTING RESISTOR	STAINLESS STEEL AISI304	4122102	4122103	4122104	4122105	4122106	

1.1.2. BOTTOM BASIN ASSEMBLY



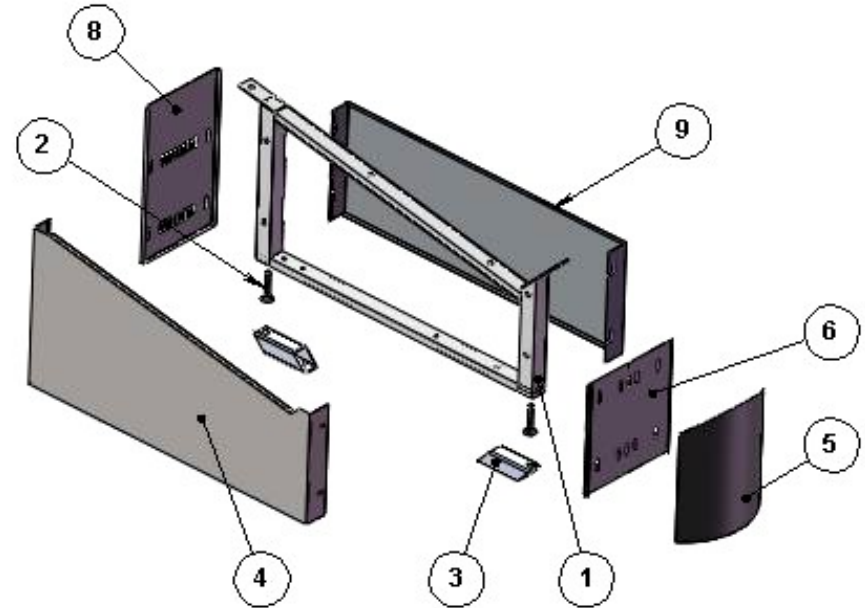
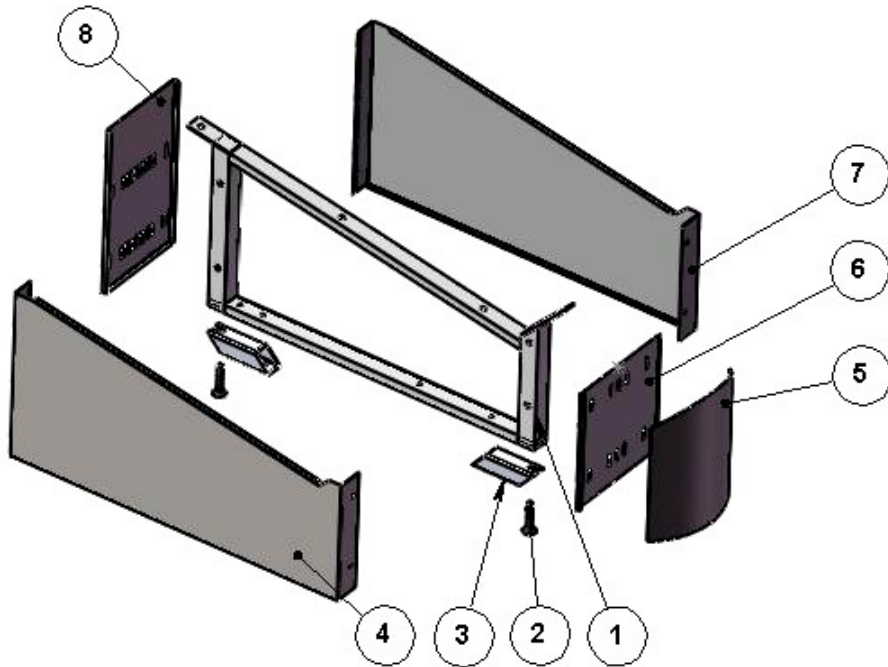
ITEM NUMBER	DOCUMENT NUMBER	TITLE	MATERIAL	PART NO. FOR EACH MODULE					
				937	1250	1875	2500	3125	3750
1.	TT0A001	FOAMED BODY E(P)+I(P)		2FI093000001	2FI125000001	2FI187000001	2FI250000001	2FI312000001	2FI375000001
2.		DRAIN NUT D. 44	ABS	4102106					
3.		DRAIN 10124 1'1/2 GAS L.75 MM	ABS	4102132					
4.		DRAIN NUT 1" 1/2 GAS	ABS	4102132					
5.		LEFT FRAME							
6.		DRAIN D. 44	ABS	4102106					
7.	TT0J006	BASIN COVER PANEL	PLASTICIZED SHEET 8/10	6FI093070005	6FI125070005	6FI187070005	6FI250070005	6FI312070005	6FI312070005
8.		CENTRAL FRAME							
9.		SPLINE	WOOD 80X50X630	4321248					
10.	TT0B014	LOADING SLIDE	SPRUCE WOOD	4321345					
11.		RIGHT FRAME							
12.	RGSD.016	SUPPORT FOR BALLASTS PANEL TERMINAL BOARD	GALVANIZED SHEET 10/10	6SV072090010					
13.		BALLASTS HOLDER PANEL		2FI125090107					
14.		DRAIN EXCELLEN. H90 D32-10106	ABS	4102125					
15.		DRAIN NUT D32	ABS						
16.		DRAIN D. 20	ABS	4102101					
17.		DRAIN NUT D. 20	ABS	4102101					

1.1.2.1. BALLASTS HOLDER PANEL



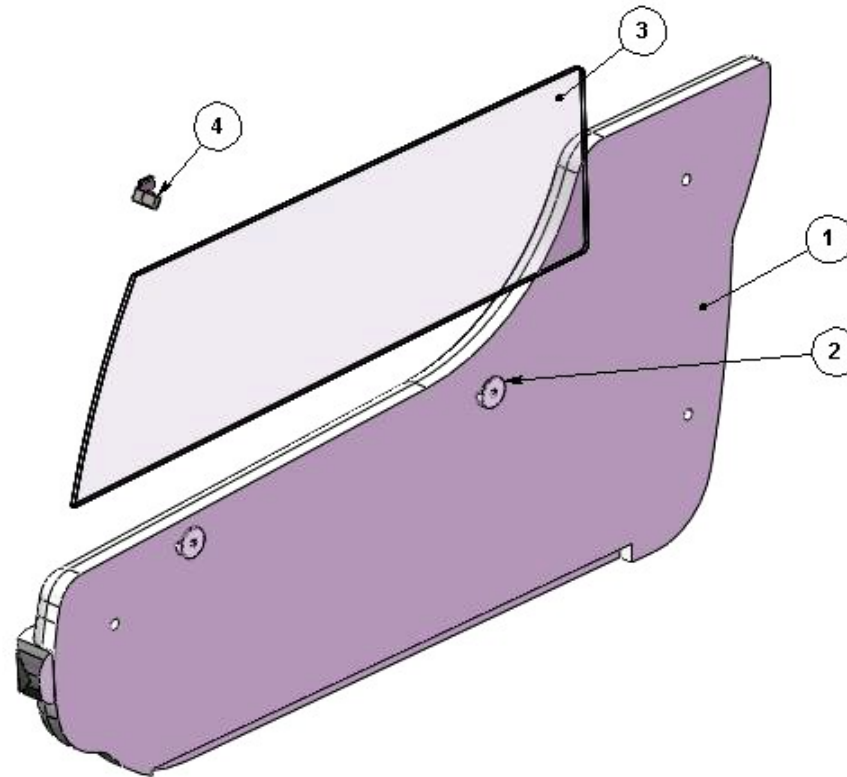
ITEM NUMBER	DOCUMENT NUMBER	TITLE	MATERIAL	PART NO. FOR EACH MODULE					
				937	1250	1875	2500	3125	3750
1.	TT0C001	BALLASTS HOLDER	IRON SHEET 10/10	6FI125090108					
2.		BALLAST		30W					
				4115103					

1.1.2.2. CENTRAL AND LEFT FRAME

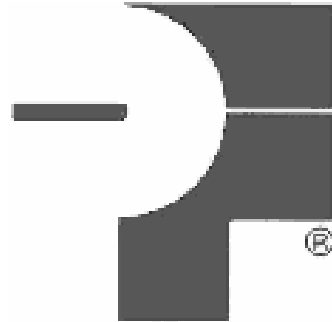


ITEM NUMBER	DOCUMENT NUMBER	TITLE	MATERIAL	PART NO. FOR EACH MODULE					
				937	1250	1875	2500	3125	3750
1.	VLTT0B006	FRAME	ALUMINIUM ALLOY	2F125060001					
2.		BOLT M12X45	GALVANIZED STEEL						
3.	TT0B020	SLIDE COUPLER BRACKET	IRON						
4.	TT0J003	RIGHT BLIND PAINTED UNDER BASIN DECORATION	PLASTICIZED SHEET 8/10	6F125070003					
5.	TT0J001	PAINTED CAMBERED FRONT DECORATION	PLASTICIZED SHEET 8/10	6F125070001					
6.	TT0J005	PAINTED FRONT DECORATION SUPPORT	PLASTICIZED SHEET 8/10	6F125070002					
7.	TT0J003	LEFT BLIND PAINTED UNDER BASIN DECORATION	PLASTICIZED SHEET 8/10	6F125070004					
8.	TT0J007	LEG BACK CLOSURE (P)	GREY PLASTICIZED SHEET 6/10	6F125060002					
9.	TT0J002	LEFT UNDER SIDE WALL DECORATION WITH CAMBERED FRONT	PLASTICIZED SHEET 8/10	6F125080013 (SX)					
				6F125080012 (DX)					

2. LATERAL SIDE WALL



ITEM NUMBER	DOCUMENT NUMBER	TITLE	MATERIAL	PART NO. FOR EACH MODULE					
				937	1250	1875	2500	3125	3750
1.	TT0M001	SIDE WALL	POLYURETHANE Thickness 50mm	(SX)					
				(DX)					
2.		LATERAL GLASS BLOCK	PVC	4100313					
3.	TT0M008	SIDE GLASS FIRENZE	FLOAT 6 mm	4190307					
4.	ETOM004	SIDE WALL FRONT GLASS SS BRACKET	STAINLESS STEEL AISI304 15/10	6DV120032001 (DX)					
				6DV120032002 (SX)					



pastorfrigor^{spa}

Regione Gabannone, 4 – Zona Industriale
15030 TERRUGGIA (AL) ITALY
Tel. +39 0142 433711
Fax. +39 0142 433700