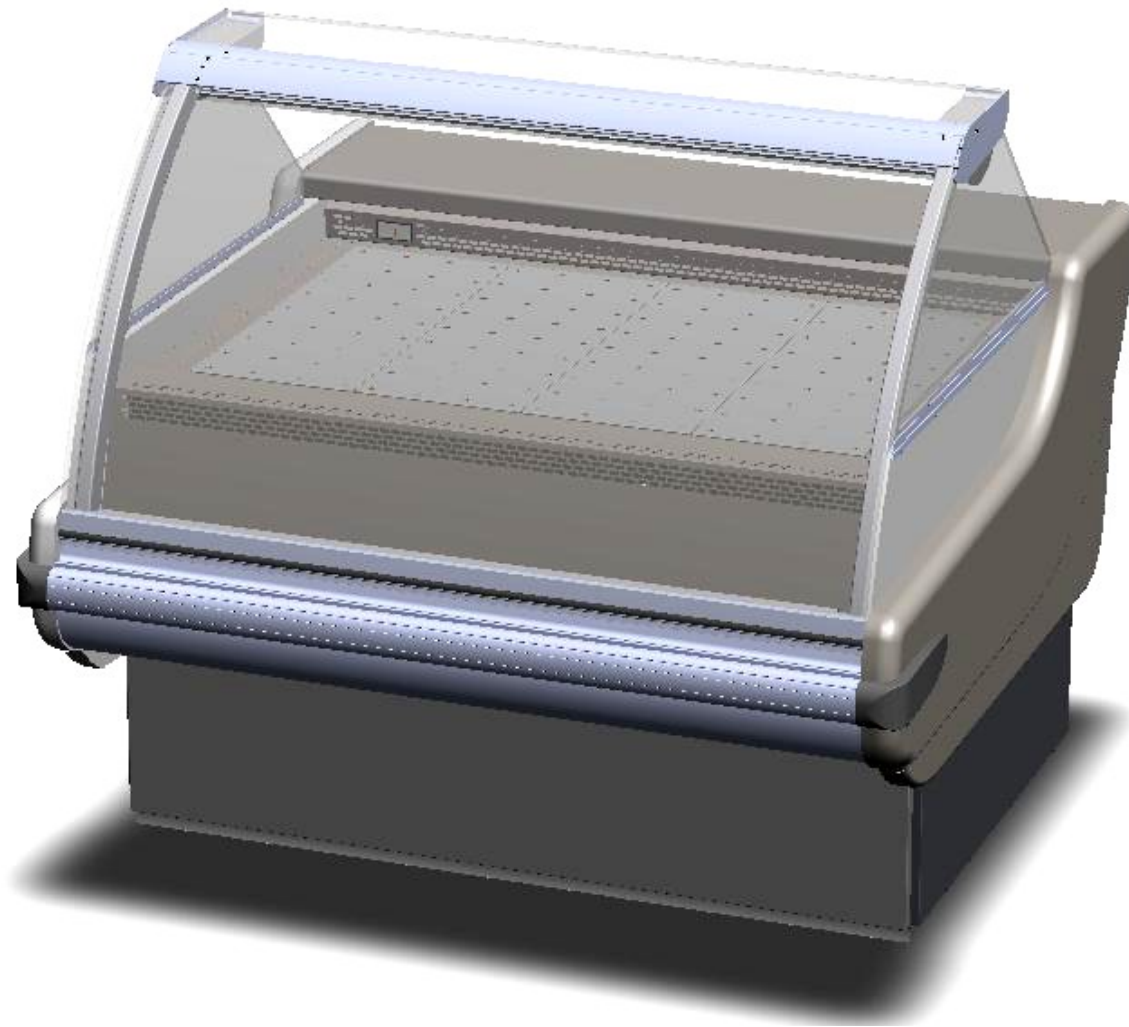


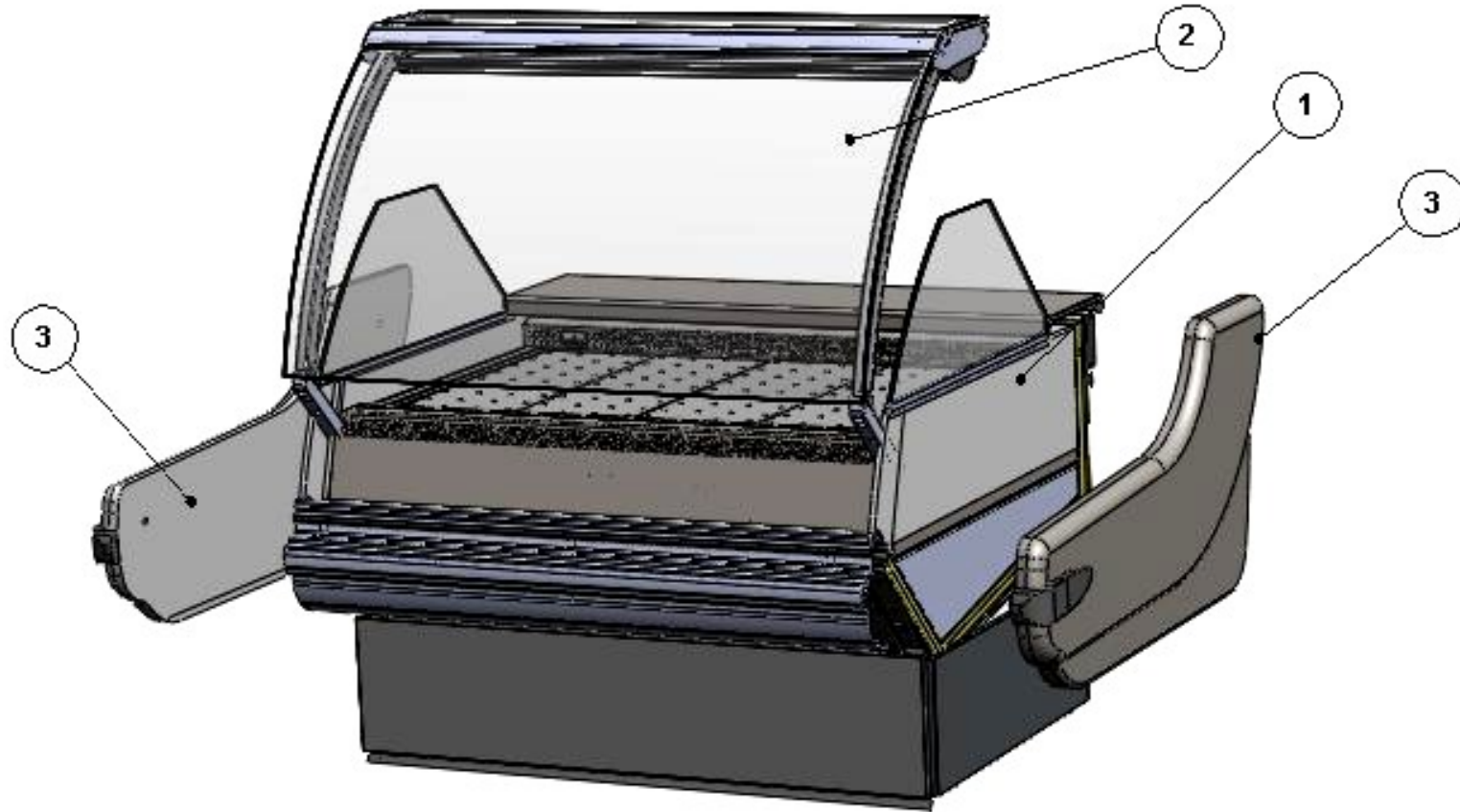


EXPLODED VIEW

FIRENZE HOT SECTION

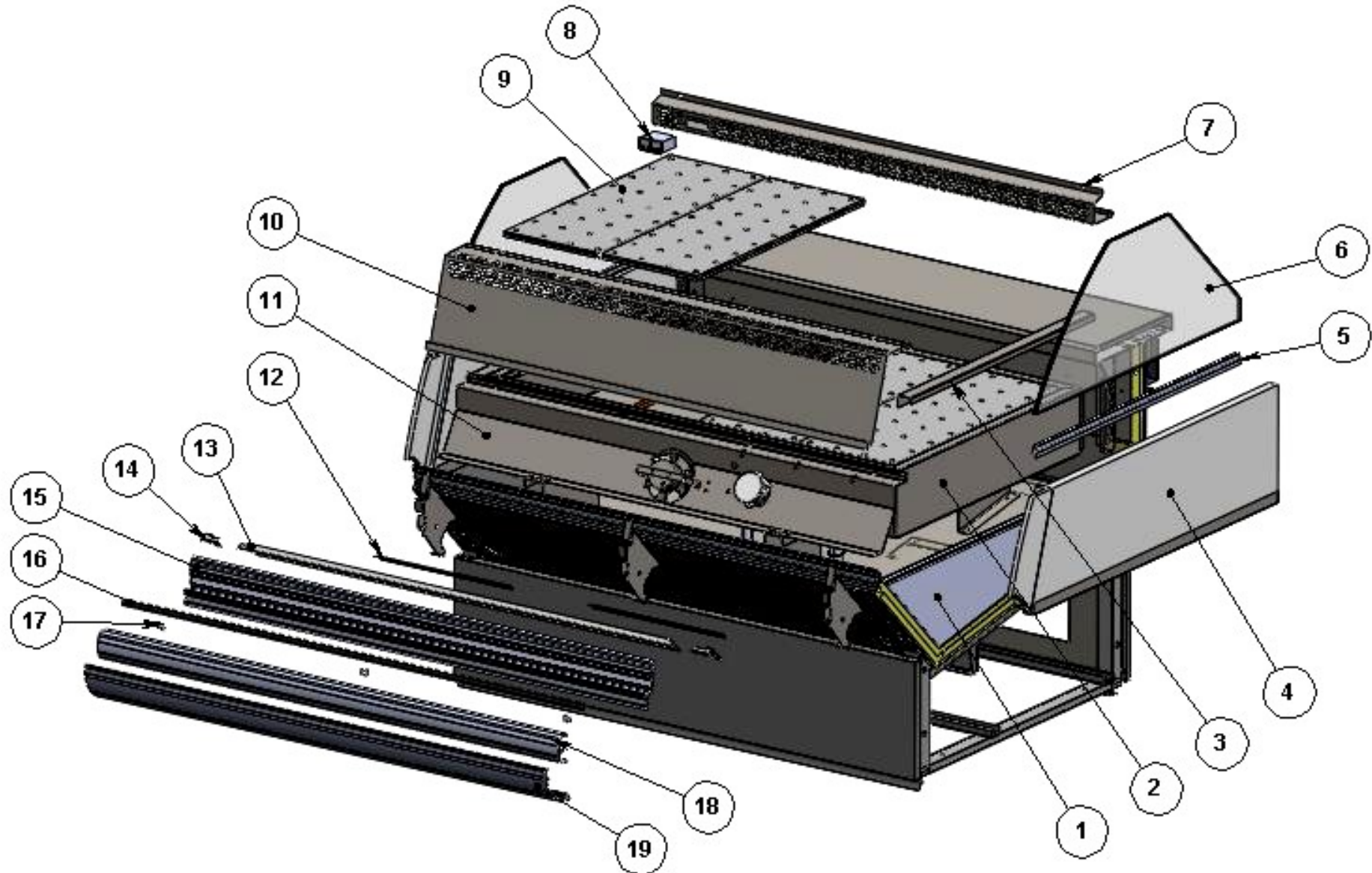


GENERAL SPLITTING UP



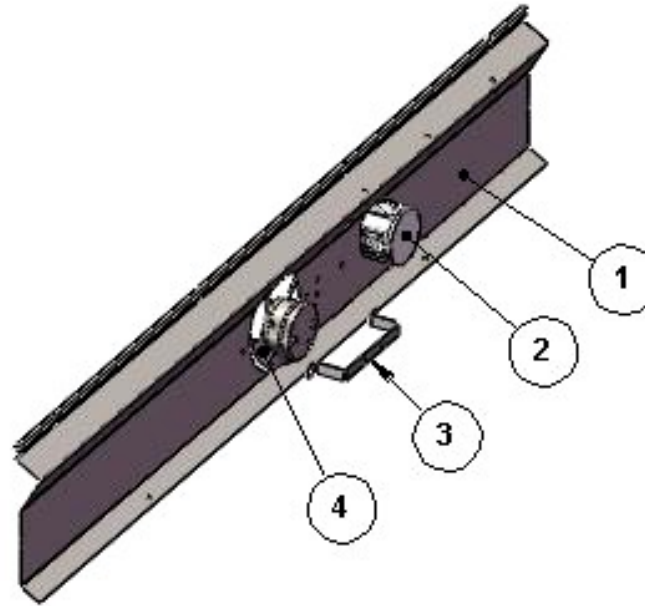
1. INTERNAL FINISH, FRONTAL DECORATION
2. GLASSES SUPERSTRUCTURE
3. LATERAL SIDE WALL

1. INTERNAL FINISH, FRONTAL DECORATION



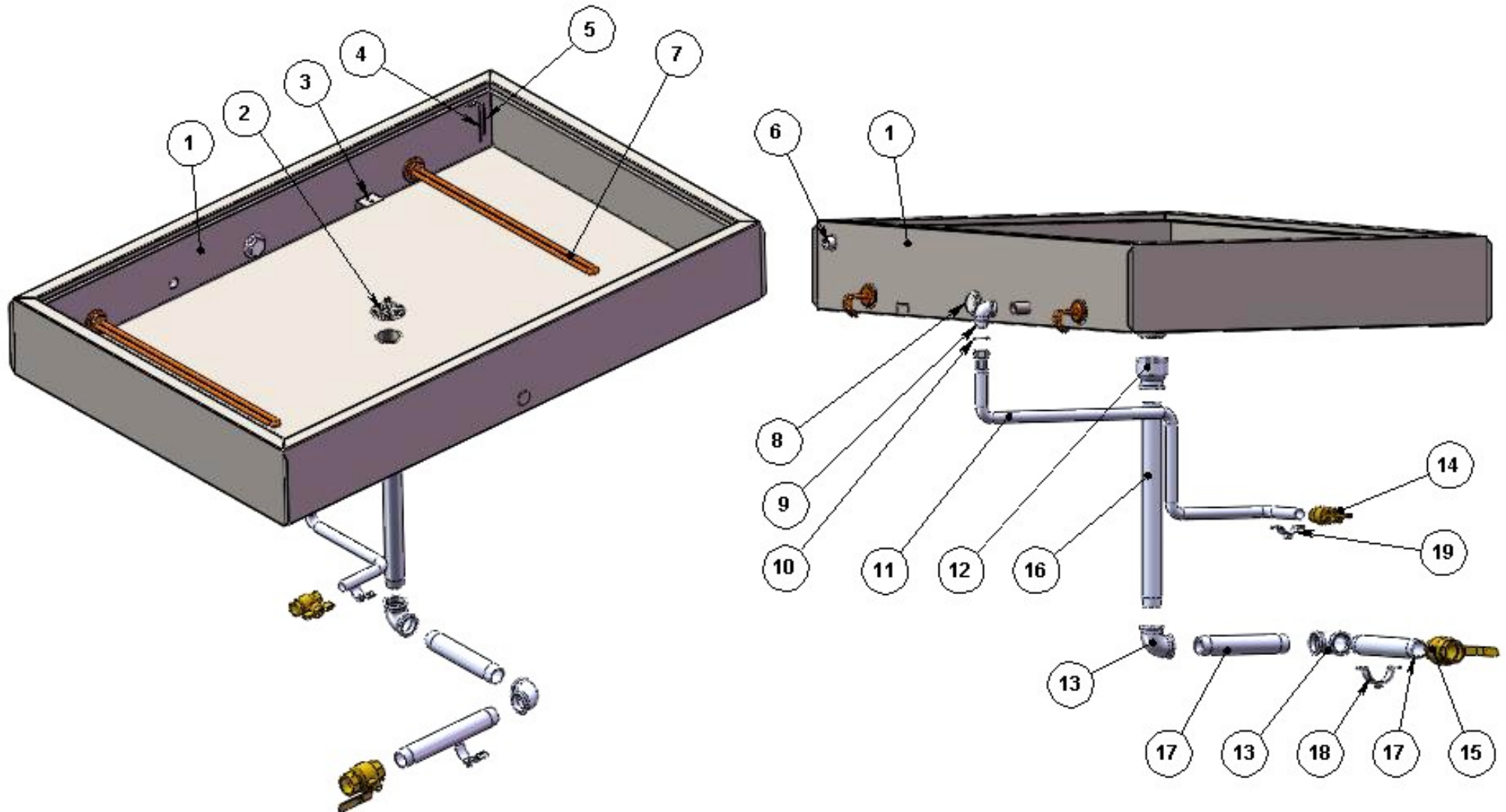
ITEM NUMBER	DOCUMENT NUMBER	TITLE	MATERIAL	PART NO. FOR EACH MODULE	
				937	1250
1.		BASIN INTERNAL FINISH			
2.		BAIN-MARIE BASIN ASSEMBLY 1200			
3.	TT2G004	BASIN COMPENSATION BM 1250	STAINLESS STEEL AISI304 SB+PRO, 10/10	6FI12504T006	
4.		HOT SECTION FIXED DIVIDER		2FI12504T004 (DX)	
				2FI12504T005 (SX)	
5.	TT0U018	GLASS HANDLE	ALUMINIUM PROFILE		
6.	TT0U015	HIGH GLASS ON FIXED DIVIDER FOR FIRENZE / A	FLOAT 6mm TRANSPARENT	4191393	
7.	TT2G006	BACK GRID BM	STAINLESS STEEL AISI304 SB+PRO, 8/10	6FI09304T001	6FI12504T001
8.		THERMOMETER 0/120°C C°+ F°RO-88 BLACK		4131306	
9.	VLTC037	BORED SHELFs	STAINLESS STEEL AISI304 SB+PRO, 8/10	6PP09604T029	
10.	TT2G003	FRONT GRID BM	STAINLESS STEEL AISI304 SB+PRO, 8/10	6FI09304T002	6FI12504T002
11.		HOT SECTION FANS HOLDER		2PP09604T004	2FI12504T007
12.	VLTT0L022	STOPPER SUPPORT PST	GALVANIZED SHEET 7/10	6FI1250F0012	
13.	TT0G003	CENTRAL UPRIGHT STOPPER	PLASTICIZED SHEET 6/10	6FI1250F0004	
14.	VLTT0G 002	LATERAL UPRIGHT STOPPER	PLASTICIZED SHEET 6/10	6FI1250F0003 (SX)	
				6FI1250F0002 (DX)	
15.	VLTT0L039	GLASS REBATE PROFILE		2FI0930F0007	2FI1250F0007
16.		GUMMY INSERT PROFILE	PVC	4180409	
17.	VLTT0L004	BUMPER RAIL COUPLER BRACKET		6FI1250F0008	
18.	VLTT0L002	BUMPER RAIL PROFILE	PVC	2FI0930F0009	2FI1250F0009
19.	VLTT0L003	UPPER DECORATION PROFILE	ALUMINIUM	2FI0930F0011	2FI1250F0011

1.1. FANS HOLDER



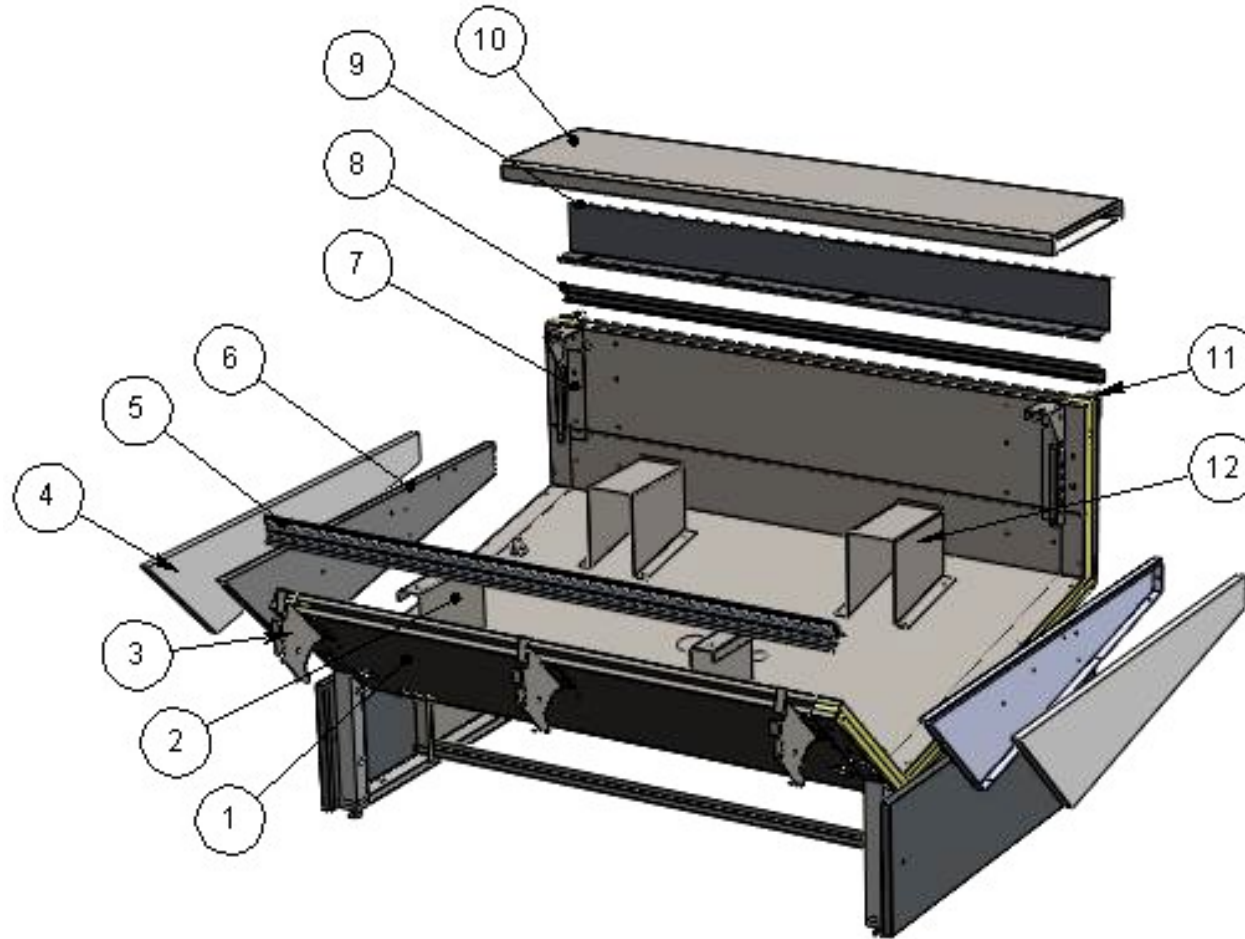
ITEM NUMBER	DOCUMENT NUMBER	TITLE	MATERIAL	PART NO. FOR EACH MODULE	
				937	1250
1.	TT2G001	FANS HOLDER	STAINLESS STEEL AISI304 1F/2B-2F/S4, 6/10	6PP09604T026	6FI12504T008
2.		SHUNT BOX D.65 GEWISS	PLAST INSULATING MAT. GW	4115401	
3.	VLTC020	SUPPORT FOR MNB FAN		6PP09604T021	
4.		MOTORFAN A12W23 HWBRF0 IP55		4240308	

1.2. BAIN MARIE BASIN ASSEMBLY 1200



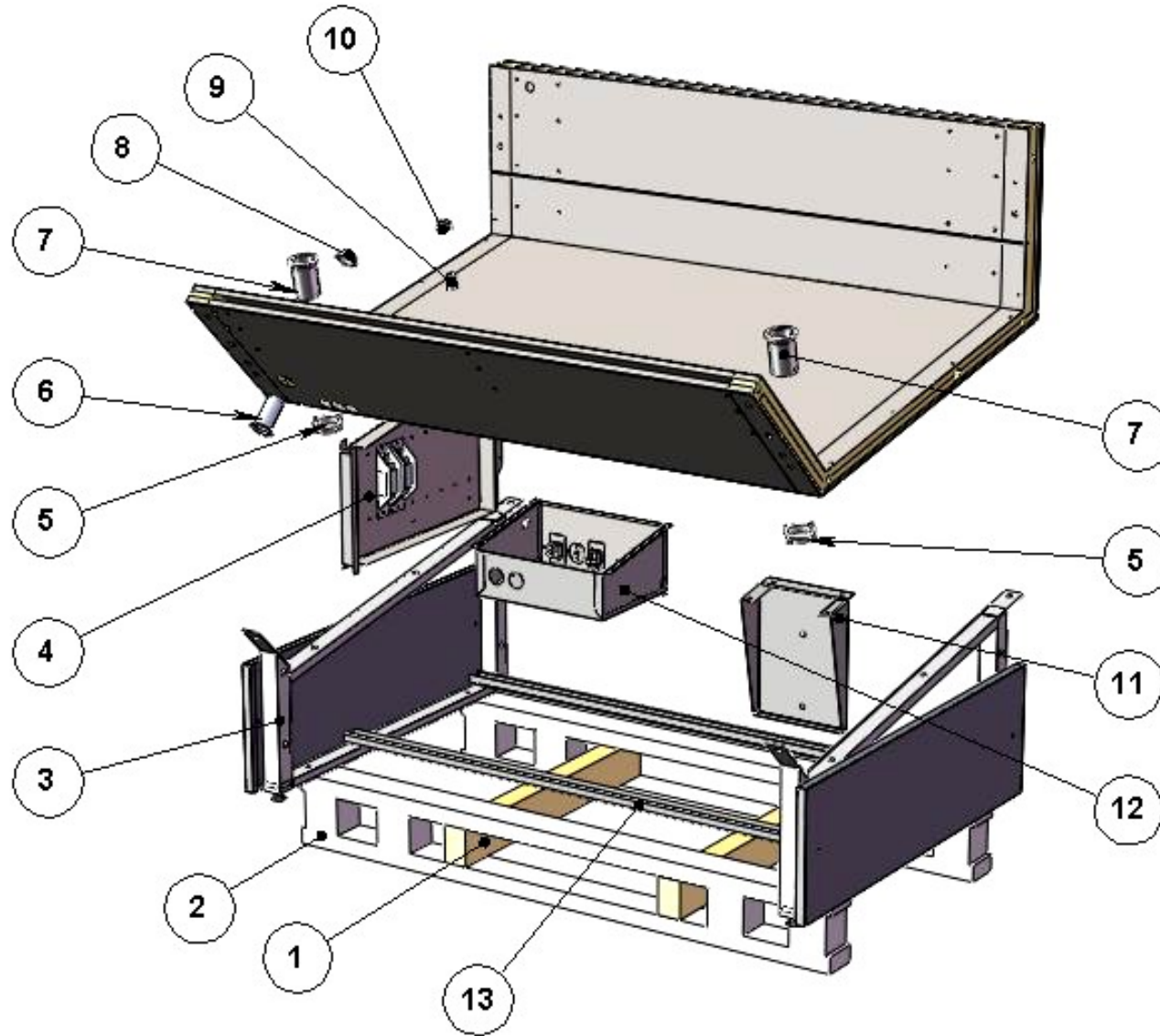
ITEM NUMBER	DOCUMENT NUMBER	TITLE	MATERIAL	PART NO. FOR EACH MODULE	
				937	1250
1.	VLTC003	BAIN MARIE BASIN 1200		4335761	4335762
2.	VSTC021	GRID FOR BAIN MARIE TC BASIN	STAINLESS STEEL AISI304 1F/2B-2F/S4, 6/10	2BV12004T012	
3.	CC2G014	BRACKET TO FIX BULB THERMOSTAT	STAINLESS STEEL AISI304 SB+PRO, 10/10	6PP09604T035	
4.	2G012	MINIMUM LEVEL SENSOR TC.	STAINLESS STEEL WIRE D.2	2BV12005T004	
5.	2G012	MINIMUM LEVEL SENSOR TC.	STAINLESS STEEL WIRE D.2	2BV12005T005	
6.		THREADED SCREW TAP STOPPER 1/2"	PVC	4401208	
7.	KTC040	HOT SECTION RESISTOR L.470 1000W		4121408	
8.		COLLETTOR STOPPER.1" RG92 BRASS TC		4401249	
9.		CHROMATED 90° STREET ELBOW 1/2"		4401224	
10.		GASKET TUBE 1/2"		4401233	
11.		ANTIVIBRATION HOSE 1/2" MALE / FEMALE , -5 + 110° C,L = 1000 mm		4401251	
12.		FEMALE THREADED COUPLING 1" 1/2" GAS		4401271	
13.		STREET ELBOW 90° 1 1/2"		4401346	
14.		BALL VALVE 1/2"		4401261	
15.		BALL VALVE 1 1/2"		4401302	
16.		MALE - MALE COUPLING 1 1/2" L.360	ZINC	4333515	
17.		MALE - MALE COUPLING 1 1/2" L.218	ZINC	4333514	
18.		TAP BLOCKING OMEGA 1 1/2"			
19.		TAP BLOCKING OMEGA 3/4"			

1.3. BASIN INTERNAL FINISH



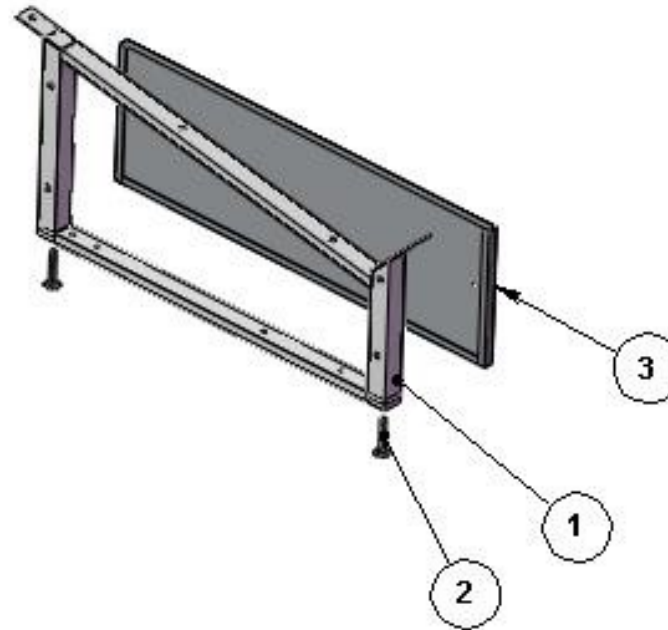
ITEM NUMBER	DOCUMENT NUMBER	TITLE	MATERIAL	PART NO. FOR EACH MODULE	
				937	1250
1.		BOTTOM BASIN ASSEMBLY			
2.	TT2G009	BASIN FRONT SUPPORT OMEGA	STAINLESS STEEL AISI304 2B, 15/10	6F112504T011 (DX)	6F112504T012 (SX)
3.	VLTT 0L001	TOP PANEL SUPPORT BRACKET	GALVANIZED SHEET 15/10	6F11250F0001	
4.	PP042	BASIN STOPPER INSULATION	POLYSTYRENE D.30	2PP096040006	
5.	TT0G013	TOP BAFFLE PROFILE	PVC	2FI093040007	2FI125040007
6.	PP013	BASIN STOPPER		6PP096040000 (DX)	6PP096040001 (SX)
7.	RG110.2	PLATFORM SUPPORT AND AIR OUTLET GRID	STAINLESS STEEL AISI304 15/10	4281936 (DX)	4282029 (SX)
8.	TT0H014	GUIDE FOR SLIDING ACCESORIES	STAINLESS STEEL AISI304 8/10	6F1125010028	
9.	TT0H013	BLIND WIREWAY	PLASTICIZED SHEET 8/10	6F1125010007	
10.		WORKING TABLE FIRENZE		2FI09301T001	2FI12501T001
11.	TT0H004	BACK PLATFORM SUPPORT	IRON SHEET 20/10	6F1125010011(SX)	6F1125010009(DX)
12.	TT2G008	BASIN BACK SUPPORT OMEGA	STAINLESS STEEL AISI304 2B, 15/10	6F112504T010	

1.3.1. BOTTOM BASIN ASSEMBLY



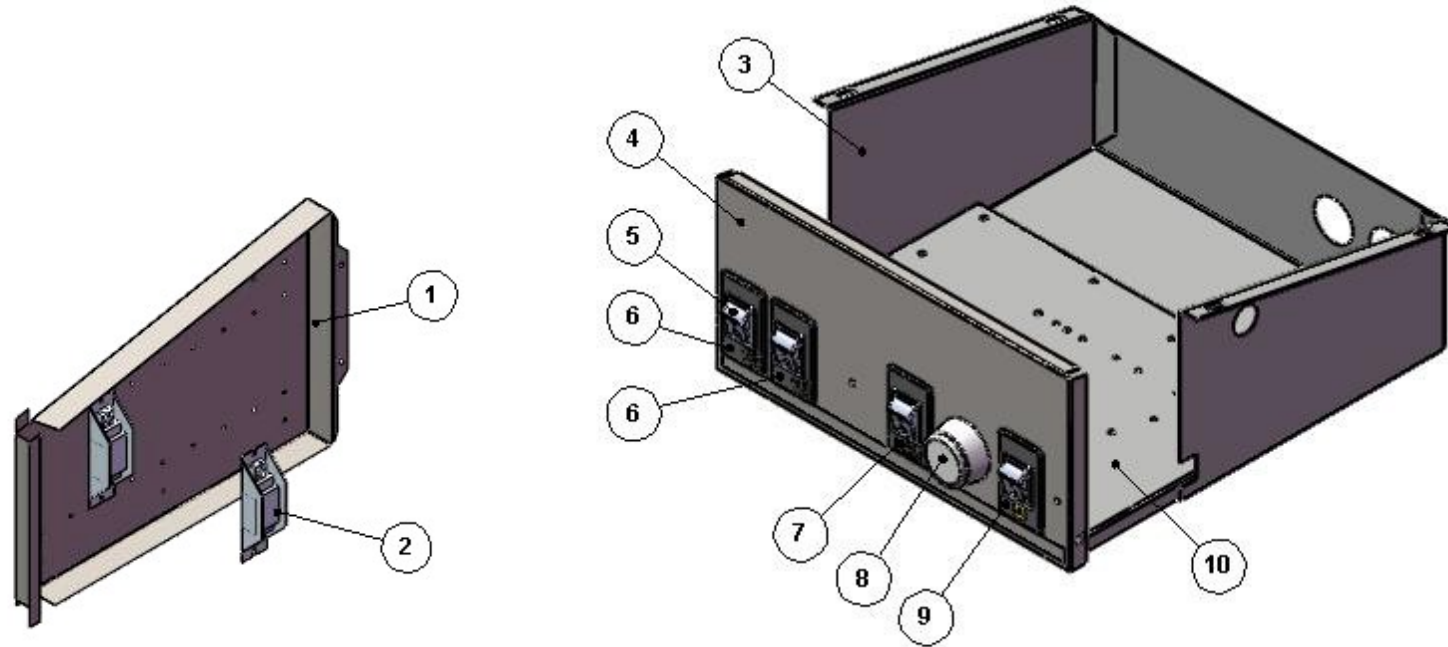
ITEM NUMBER	DOCUMENT NUMBER	TITLE	MATERIAL	PART NO. FOR EACH MODULE	
				937	1250
1.		SPLINE	WOOD 80 X 50 X 630		
2.	TT0B014	LOADING SLIDE	SPRUCE WOOD	4321345	
3.		LATERAL FRAME			
4.		BALLASTS HOLDER PANEL			
5.		DRAIN NUT 1" 1/2 GAS	ABS	4102132	
6.		NUT EXCELLEN. H90 D32-10106	ABS	4102125	
7.		NUT 10124 1'1/2 GAS L.75 MM	ABS	4102132	
8.		DRAIN NUT D32	ABS		
9.		NUT D. 20	ABS	4102101	
10.		DRAIN NUT D. 20	ABS	4102101	
11.	VLTC040	DRAIN - LOAD SUPPORT BOARD	GALVANIZED SHEET 15/10	6PP09604T031	2PP09604T011
12.		CONTROL BOARD TC + I.L.S.O I.		2FI12502T000	
13.	TT0B001	TRESTLE GIRT	GALVANIZED SHEET 15/10	6FI093060202	6FI125060202

1.3.1.1. LATERAL FRAME



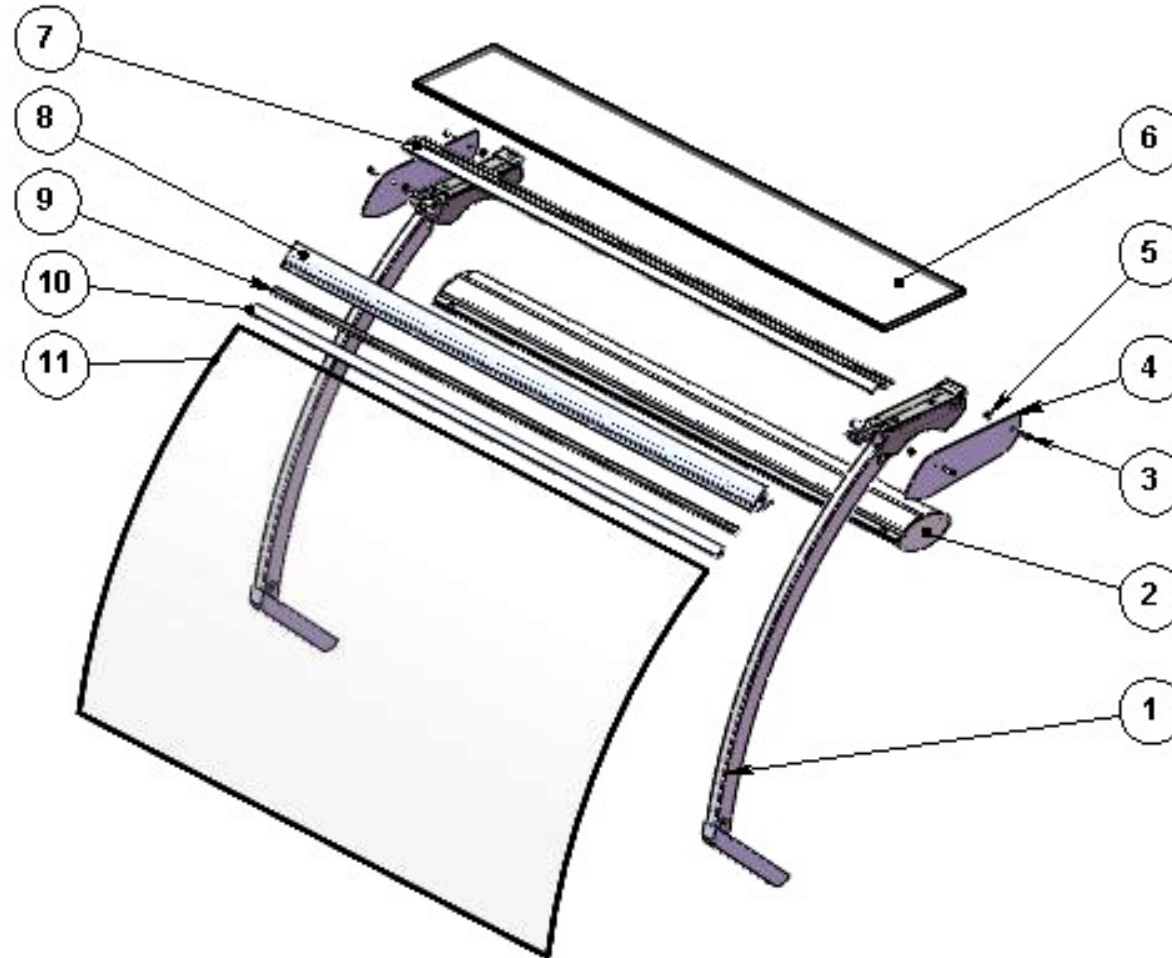
ITEM NUMBER	DOCUMENT NUMBER	TITLE	MATERIAL	PART NO. FOR EACH MODULE	
				937	1250
1.	VLTT0B006	FRAME	ALUMINIUM ALLOY	2F1125060001	
2.		BOLT M12X45	GALVANIZED STEEL		
3.	TT0J010	UNDER SIDE WALL DECORATION WITH FRONT PLANE	PLASTICIZED SHEET 8/10	6F1125080113 (SX)	
				6F1125080112 (DX)	

1.3.1.2. BALLASTS HOLDER PANEL AND CONTROL BOARD HOT SECTION



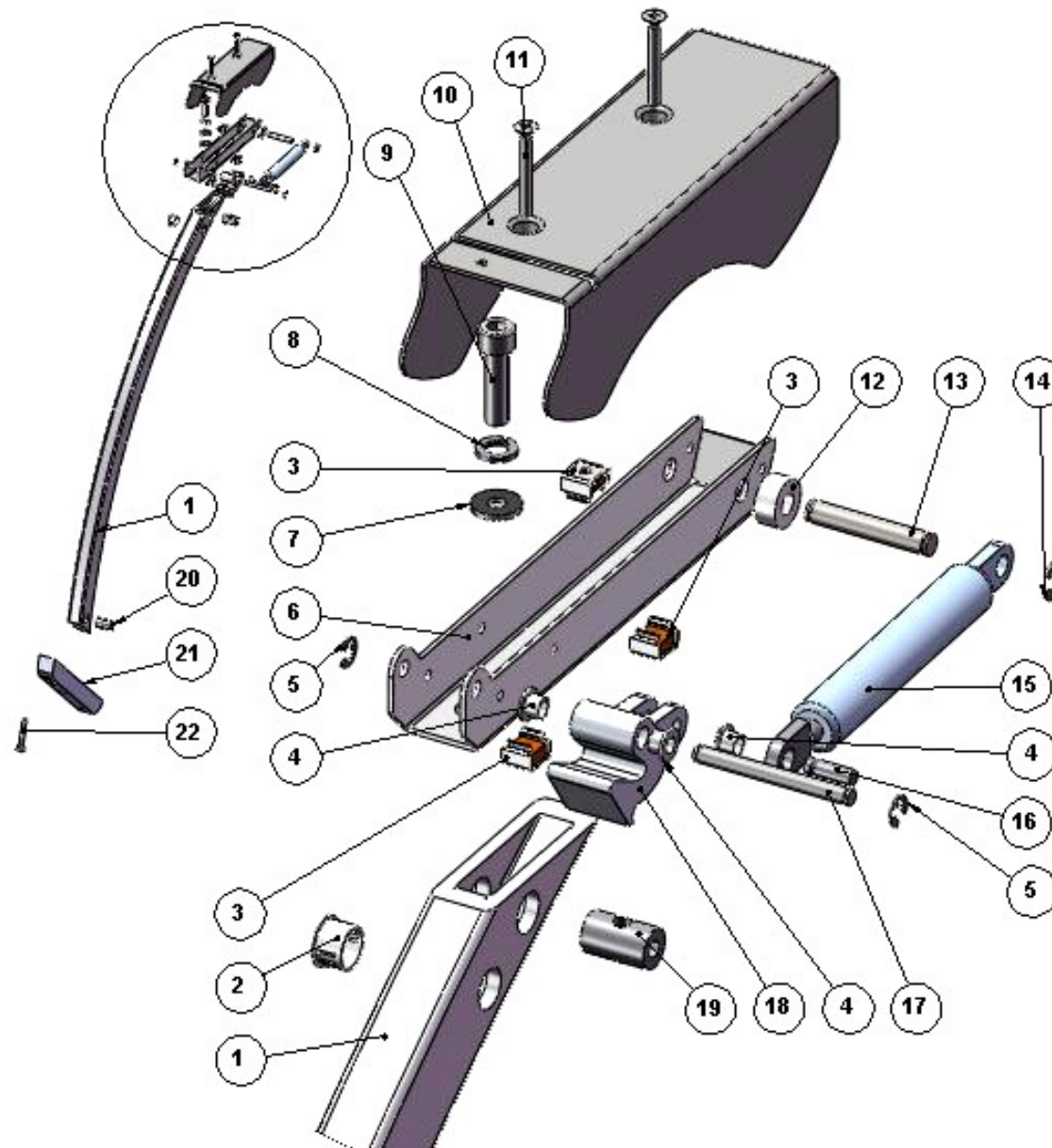
ITEM NUMBER	DOCUMENT NUMBER	TITLE	MATERIAL	PART NO. FOR EACH MODULE	
				937	1250
1.		BALLASTS PANEL	IRON SHEET 10/10	2PP09609TR07	
2.		BALLAST		30W	
				4115103	
3.	RG053	ELECTRICAL COMPONENT COMPARTIMENT (310X230)	GALVANIZED SHEET SKIMPAS, 7/10	6SV096020002	
4.	VLTC068Q	FRONT CONTROL BAIN MARIE R.I.	PLASTICIZED SHEET N38PP, 6/10	6KV000000284	
5.		BLACK BIPOLAR SWITCH R515KKFTOFA BOARD		4113524	
6.	RG040	ADHESIVE LIGHT PLATE "SIGMA"		4335638	
7.	RG058	RESISTOR PLATE			
8.		THERMOSTAT TR/86 30900-05 +30°+90°		4130107	
9.	RG059	FANS PLATE		4335640	
10.	RG054	ELECTRICAL COMPONENTS SUPPORT (BOARD HOLDER)	GALVANIZED SHEET 10/10	6SV096020003	

2. GLASSES SUPERSTRUCTURE



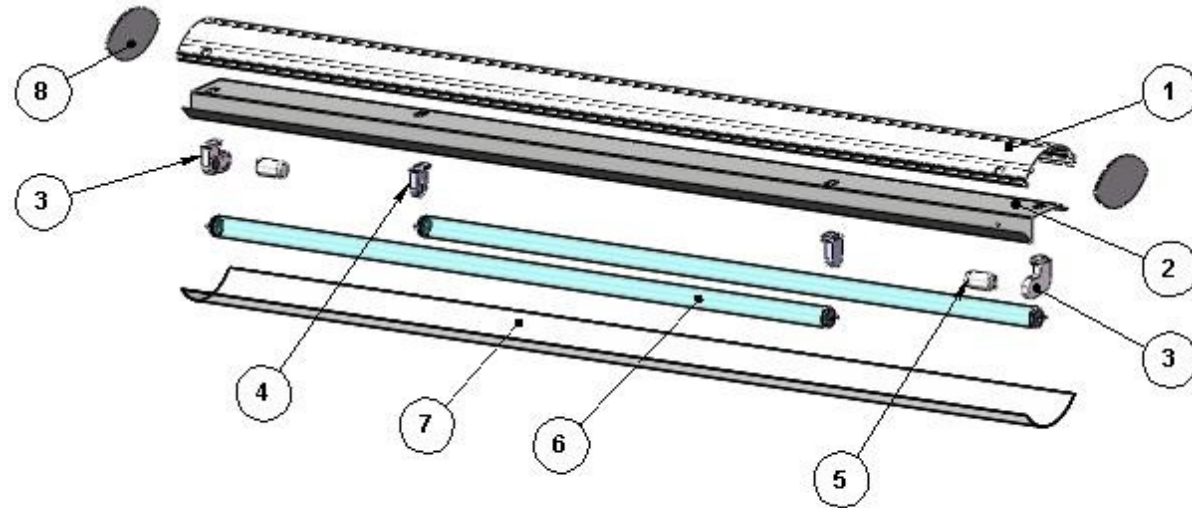
ITEM NUMBER	DOCUMENT NUMBER	TITLE	MATERIAL	PART NO. FOR EACH MODULE	
				937	1250
1.		LATERAL UPRIGHT			
2.		TOP CEILING LAMP FI		2FI093030009	2FI125030009
3.		BURNISHED SELF-TAPPING SCREW TC 5X20		8292707	
4.	TT0M003-2	TOP SIDE GLASS	IRON SHEET 3/10	2FI125080008	
5.		CYLINDRICAL SPACER WITH FEED-THROUGH HOLE DCK 86 CE		8291721	
6.	TT0D019	HEAD GLASS	FLOAT 10mm	4199901	4199900
7.	TT0D012	COVER PROFILE	ALUMINIUM PROFILE PE3110	2FI093030005	2FI125030005
8.	TT0D031	JAW INSERT PROFILE	ALUMINIUM PROFILE E5628A	2FI187030008	2FI125030008
9.	TT0D011	JAW PROFILE	JAW ALUMINIUM PROFILE	2FI187030007	2FI125030007
10.		GLASS GASKET PROFILE	PVC	4180100	
11.	RG004.1	CURVED GLASS R1000, L.1250	FLOAT 6 mm	4190738	4190739

2.1. LATERAL UPRIGHT



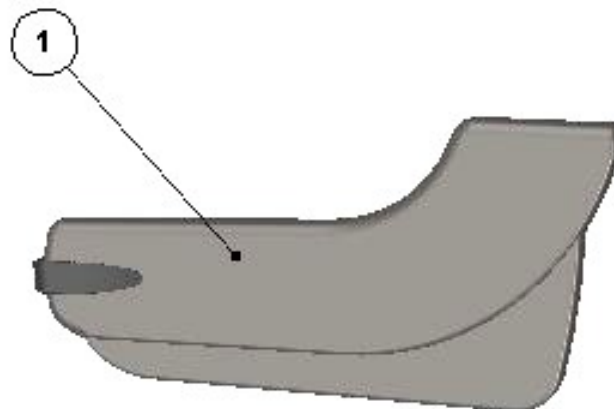
ITEM NUMBER	DOCUMENT NUMBER	TITLE	MATERIAL	PART NO. FOR EACH MODULE	
				937	1250
1.	TT0D002	CURVED FRONT UPRIGHT	ALLOY 6060 T5		4351209
2.		WHITE STOPPER DP500	PLASTIC		4333114
3.		CAGE NUT M5			
4.	ECAV 016	PISTON BUSH	NYLON		8291718
5.		SEGGER 5	GALVANIZED STEEL		8298303
6.	TT 0D001	LEVER SUPPORT	IRON SHEET 20/10		2F1125030013
7.		PLAIN WASHER 8X24	GALVANIZED STEEL		
8.		GROWER M8			
9.		BOLT TCEI M8X30	GALVANIZED STEEL		
10.	TT0D007	LEVER COVER	IRON SHEET 15/10		2F1125030015 (DX) 2F1125030016 (SX)
11.		BOLT TS+ M5X35	STAINLESS STEEL		
12.		SPACER WITH HOLE DCS79B 6R ELECTROZUB	NYLON		
13.	TT0D005	LATERAL BACK PIN	GROUND DRAWN STEEL Ø8		4140086
14.		SEGGER 7	GALVANIZED STEEL		8298304
15.		PISTON VS-SV R 1000 084034 700 N	STEEL		4145022
16.	ECAV018	PISTON FRONT PIN	GROUND DRAWN STEEL Ø6		
17.	TT0D003	LATERAL FRONT PIN	GROUND DRAWN STEEL Ø6		4140085
18.	AV011	ROTATION LEVER PRESSOFUS.	ALUMINIUM ALLOY		4282114 (SX) 4282113 (DX)
19.	TT0D013	GLASS UPRIGHT PIN	STEEL BAR Ø15		4140088
20.	RG072	BACK GLASS UPRIGHT PIN	STEEL BAR Ø15		4140070
21.	CC0D010	GLASS UPRIGHT SUPPORT KREA	ALUMINIUM ALLOY 6060 (FLAT PROFILE 30X30)		4282116
22.		BOLT TCEI M8X50	GALVANIZED STEEL		

2.3. CEILING LAMP



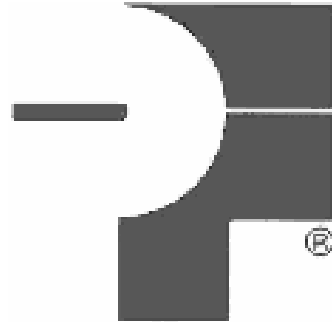
ITEM NUMBER	DOCUMENT NUMBER	TITLE	MATERIAL	PART NO. FOR EACH MODULE	
				937	1250
1.	TT0E002	CEILING LAMP PROFILE	ANODIZED ALUMINIUM	2FI093030010	2FI125030010
2.	TT0E014	TOP LAMPS HOLDER	PLASTICIZED SHEET 8/10	6FI187030011	6FI125030011
3.		LAMPS HOLDER + STARTERS HOLDER STUCCHI 255/C	PVC	4114710	
4.		LAMP HOLDER STUCCHI 255/S 2A 250V	PVC	4114709	
5.		UNIVERSAL STARTER FS 11		4116001	
6.		NEON		4114513 18W	4114510 30W
7.	TT0E015	TOP POLYCARBONATE CEILING LAMP	POLYCARBONATE 7/10	6FI093030012	6FI125030012
8.	CC0D023.1	PLEXIGLAS FOR CEILING LAMP	OPAL GLASS 3mm		4082305

3. LATERAL SIDE WALL



ITEM NUMBER	DOCUMENT NUMBER	TITLE	MATERIAL	PART NO. FOR EACH MODULE	
				937	1250
1.	TT0M001	SIDE WALL	POLYURETHANE Thickness 50mm	(SX)	(DX)





pastorfrigor^{spa}

Regione Gabannone, 4 – Zona Industriale
15030 TERRUGGIA (AL) ITALY
Tel. +39 0142 433711
Fax. +39 0142 433700