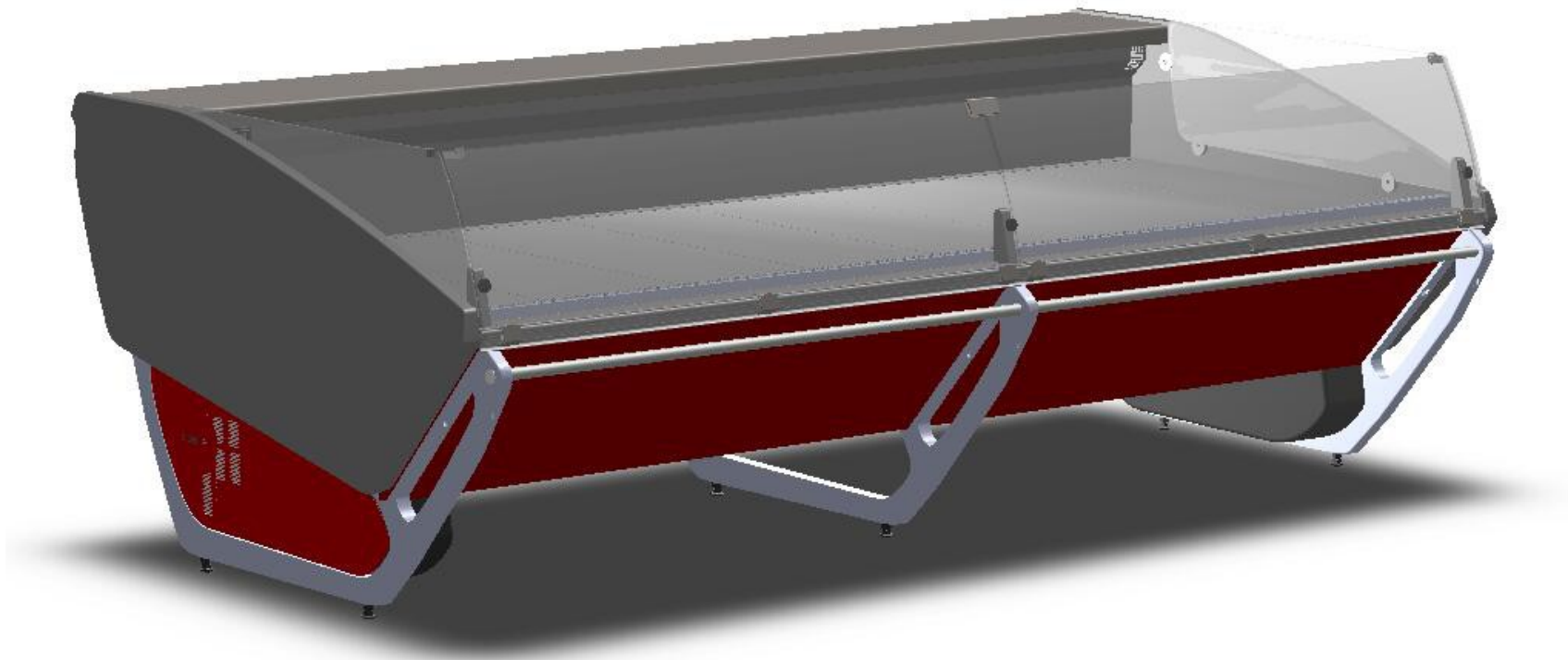


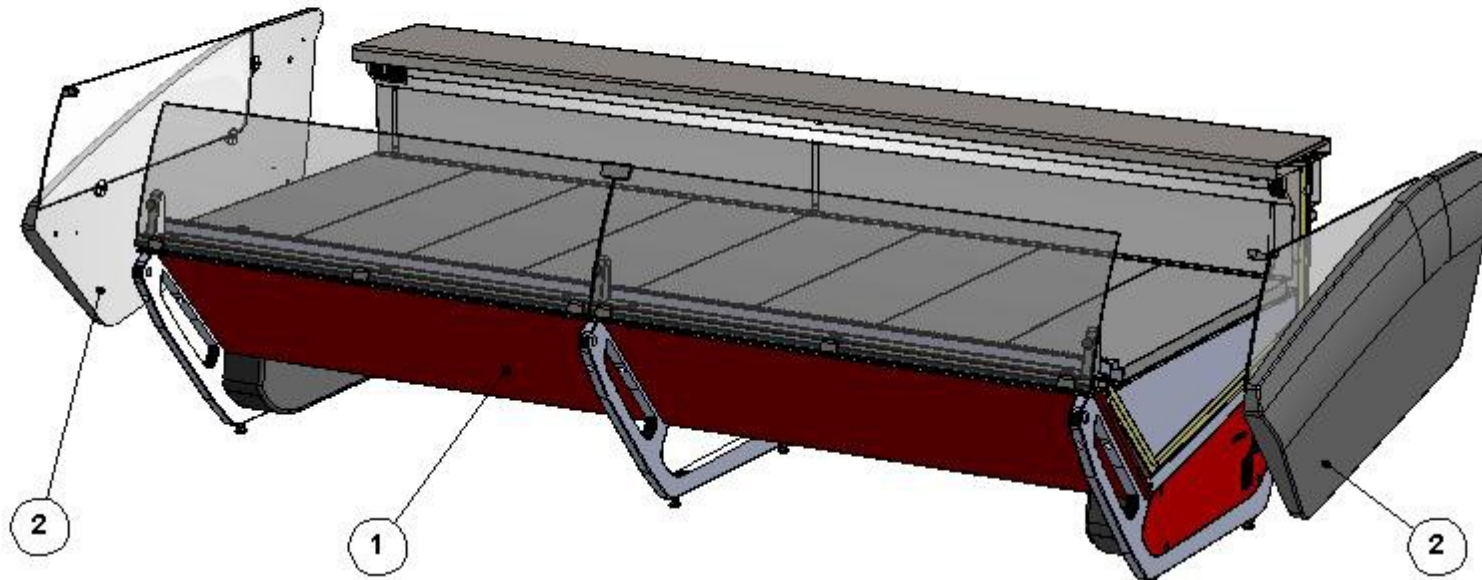


## EXPLODED VIEW

## SYNUS SELF SERVICE

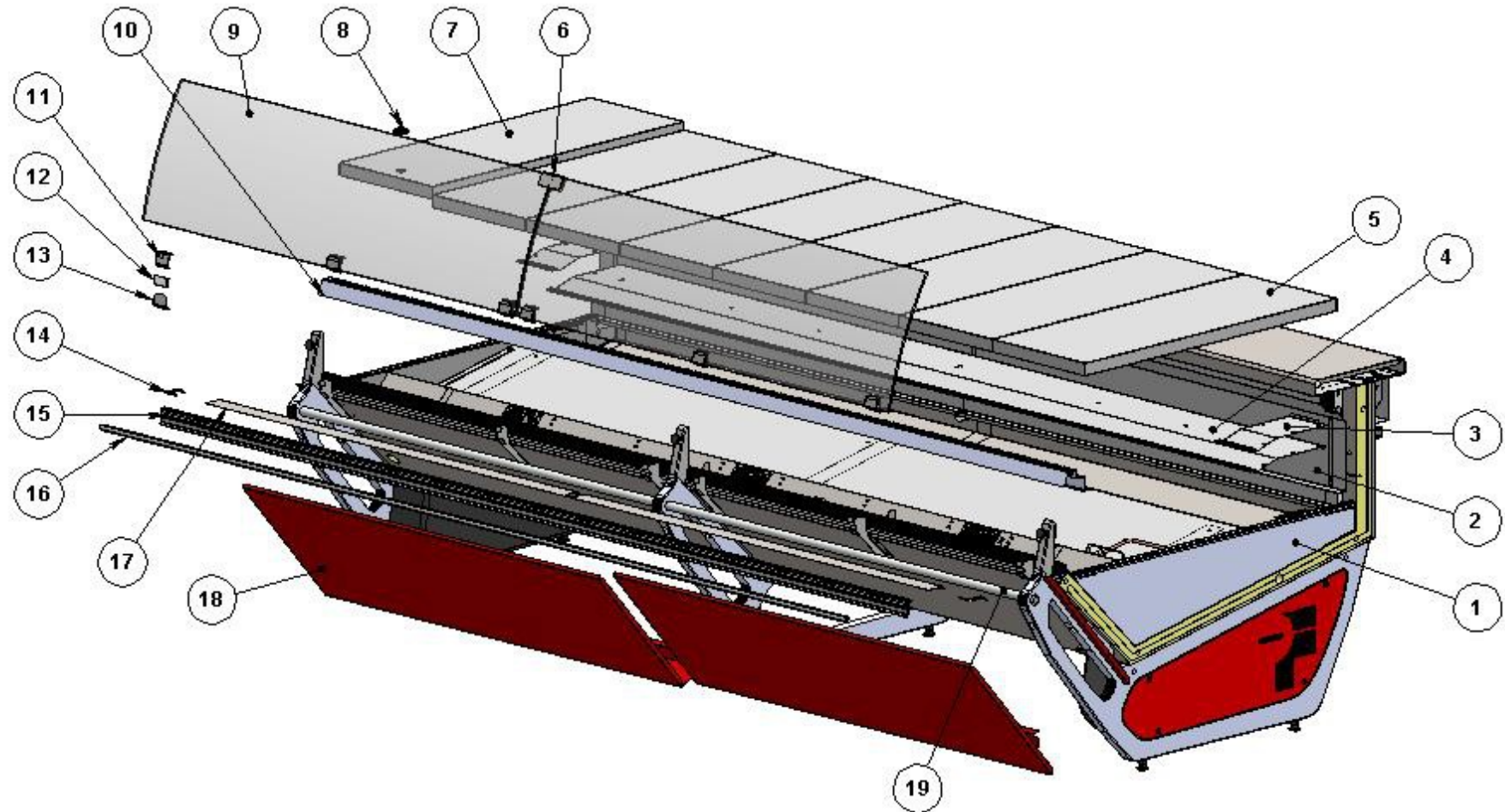


## GENERAL SPLITTING UP



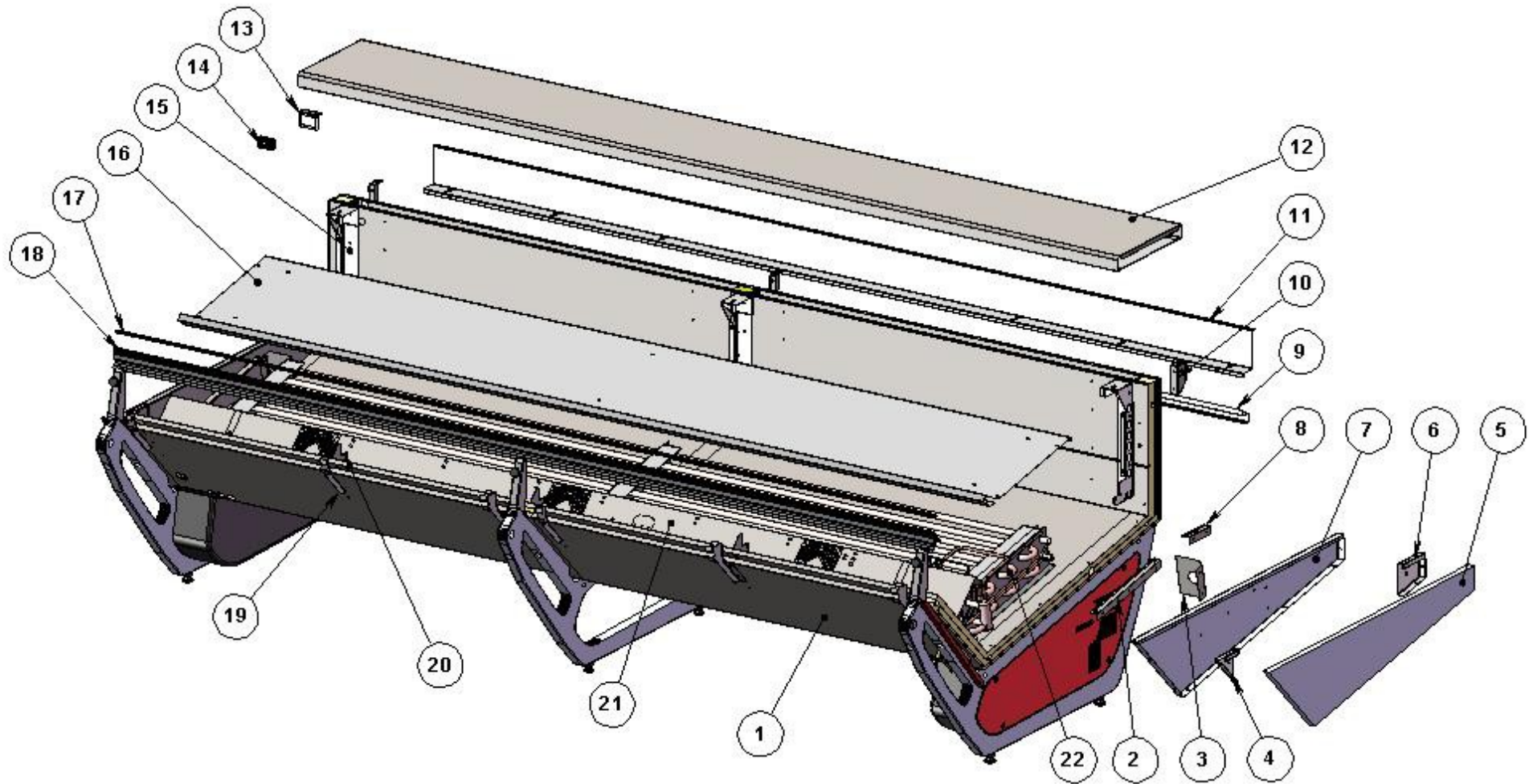
1. INTERNAL FINISH, FRONTAL DECORATION
2. LATERAL SIDE WALL

## 1. INTERNAL FINISH, FRONTAL DECORATION



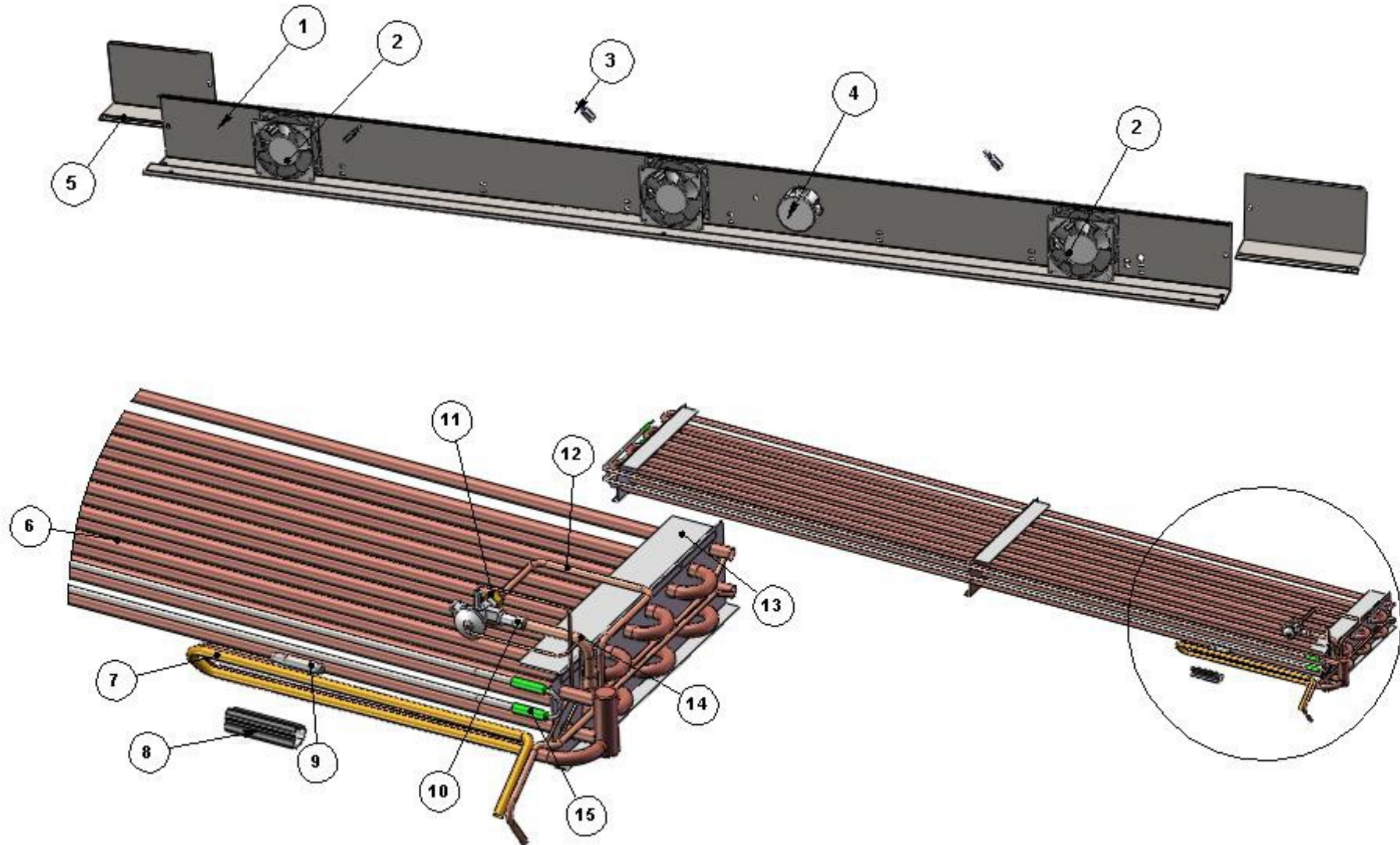
ITEM NUMBER	DOCUMENT NUMBER	TITLE	MATERIAL	PART NO. FOR EACH MODULE				
				1250	1875	2500	3125	3750
1.		BASIN INTERNAL FINISH						
2.	TT0G004	AIR OUTLET GRID	STAINLESS STEEL AISI 304 8/10	6FI125040009	6FI187040009	6FI250040009	6FI312040009	6FI375040009
3.	TT0F016	BACK EVAPORATOR CLOSURE STOPPER .I VL	STAINLESS STEEL AISI304 1F/2B-2F/S4, 5/10	6FI125040122				
4.	TT0F006	BACK EVAPORATOR CLOSURE	STAINLESS STEEL AISI 304 8/10	6FI125040020	6FI187040020	6FI250040020	6FI312040020	6FI375040020
5.	TTOK 001	REMOVABLE PLATE WITHOUT HOLE	STAINLESS STEEL AISI 304 8/10	6FI125040002				
6.		GLASS STOPPER MANOR SS POLYCARB. MP160		4081335				
7.	TT0K001	REMOVABLE PLATE WITH HOLE	STAINLESS STEEL AISI 304 8/10	6FI125040004				
8.		FAIRLEAD RUBBER D25		4113102				
9.	TT0D055	FRONT GLASS SELF SERVICE		4191587	4191586	4191587	4191586 4191587	4191587
10.	TT0G005	SUCTION GRID	STAINLESS STEEL AISI 304 8/10	6FI125040011	6FI187040011	6FI250040011	6FI312040011	6FI375040011
11.	SF0D035	FIXING GLASS SELF SERVICE FRONT BRACKET	STAINLESS STEEL AISI304 2B,15/10	6IV125032001				
12.		GLASS GASKET PVC PROFILE U ART. P0 924	PVC	4180100				
13.	SF0D035	FIXING GLASS SELF SERVICE BACK BRACKET	STAINLESS STEEL AISI304 2B,15/10	6IV125032002				
14.	SF0G012	LATERAL UPRIGHT STOPPER	PLAST. SHEET 6/10	6IV1250F0007 (SX) 6IV1250F0006 (DX)				
15.	SF0L008	FRONTAL PROFILE	ALLOY 6060 T5	2IV1250F0003	2IV1870F0003	2IV2500F0003	2IV3120F0003	2IV3750F0003
16.		BLACK GLASS REBATE RUBBER PROFILE	RUBBER	4180403				
17.	SF0G013	CENTRAL UPRIGHT STOPPER	PLAST. SHEET 6/10	6IV1250F0005	6IV1870F0009(SX) 6IV1870F0008(DX)	6IV2500F0009(SX) 6IV2500F0008(DX)	6IV1870F0009(SX) 6IV1870F0008(DX)	6IV2500F0009(SX) 6IV2500F0008(DX)
							6IV3120F0005(CX)	
18.	SF0J008	FRONT PANEL	GALVANIZED SHEET 7/10, PAINTED	2IV125070001	-	-	-	-
	SF0J 009	FRONT PANEL	GALVANIZED SHEET 7/10, PAINTED	-	2IV187070003(SX)	2IV250070003(SX)	2IV187070003(SX)	2IV250070003(SX)
				-	2IV187070002(DX)	2IV250070002(DX)	2IV187070002(DX)	2IV250070002(DX)
				-	-	-	2IV312070001(CX)	
19.	SF0L 003	TROLLEY STOPPER TUBE	ROUND TUBE PROFILE STAINLESS STEEL 22X1,5 L.6000	2IV1250F0004	2IV1870F0004	2IV2500F0004	2IV3120F0004	2IV3750F0004

## 1.1. BASIN INTERNAL FINISH



ITEM NUMBER	DOCUMENT NUMBER	TITLE	MATERIAL	PART NO. FOR EACH MODULE				
				1250	1875	2500	3125	3750
1.		BOTTOM BASIN ASSEMBLY						
2.	PP379	EVAPORATOR COVER SUPPORT	STAINLESS STEEL AISI304 6/10	6PP096040006				
3.	TT0F005	EVAPORATOR LATERAL CLOSURE	STAINLESS STEEL AISI304 6/10	6FI125040119				
4.	RG034	SIDE WALL FIXING BRACKET	IRON SHEET 15/10	6SV072040039(SX)				
				6SV072040038(DX)				
5.	PP042	BASIN STOPPER INSULATION	POLYSTYRENE D.30	2PP096040006				
6.	RG106	BACK STOPPER BRACKET	IRON SHEET 15/10	6SV072040041(SX)				
				6SV072040040(DX)				
7.	PP013	BASIN STOPPER	STAINLESS STEEL AISI304 5/10	6PP096040001(SX)				
				6PP096040000(DX)				
8.	TT0F007	BACK CLOSURE SUPPORT	STAINLESS STEEL AISI304 5/10	6FI125040121				
9.	TT0H014	SLIDING GUIDE FOR ACCESSORIES	STAINLESS STEEL AISI304 8/10	6FI125010028	6FI187010028	6FI250010028	6FI312010028	6FI375010028
10.	TT0H004	BACK LEVEL SURFACE SUPPORT	IRON SHEET 20/10	6FI125010011(SX)				
				6FI125010009(DX)				
11.	TT0H013	BLIND WIREWAY	PLAST. SHEET 8/10	6FI125010007	6FI187010007	6FI250010007	6FI312010007	6FI375010007
12.		WORKING TABLE		2FI125010001	2FI187010001	2FI250010001	2FI312010001	2FI375010001
13.	TT0C002	THERMOMETER HOLDER	STAINLESS STEEL AISI304 15/10	6FI125020007				
14.		DIGITAL THERMOMETER		4131307				
15.	TT0G006	BACK GRID SUPPORT BRACKET	IRON SHEET 15/10	6FI125040113(SX)				
				6FI125040112(DX)				
16.	TT0F001	EVAPORATOR COVER	STAINLESS STEEL AISI304 8/10	6FI125040116	6FI187040116	6FI250040116	6FI312040116	6FI375040116
17.		GUMMY INSERT PROFILE	PVC	4180409				
18.	TT0G013	TOP DEFLECTOR PROFILE	PVC	2FI125040007	2FI187040007	2FI250040007	2FI312040007	2FI375040007
19.	SFOL002	GLASS REBATE PROFILE SUPPORT BRACKET	GALVANIZED SHEET 15/10	6IV1250F0002 (SX)				
				6IV1250F0001 (DX)				
20.	TT0G007	FRONT GRID SUPPORT BRACKET	IRON SHEET 15/10	6FI125040114 (DX)				
				6FI125040115 (SX)				
21.		FANS HOLDER ASSEMBLY		2FI125040117	2FI187040117	2FI250040117	2FI312040117	2FI375040117
22.		EVAPORATOR		2FI125150001	2FI187153001	2FI250150001	2FI312150001	2FI312153001

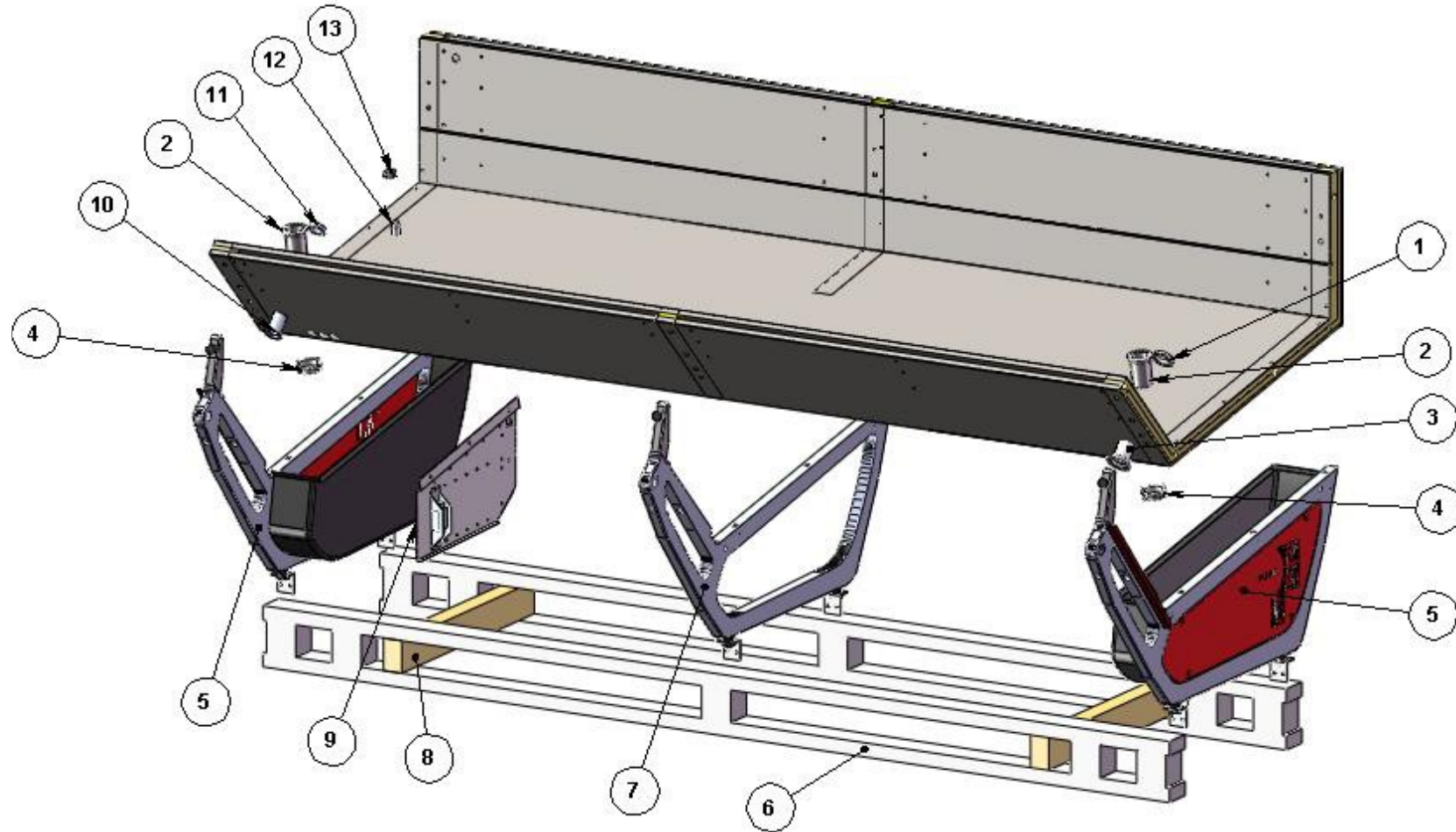
### 1.1.1. FANS HOLDER. EVAPORATOR





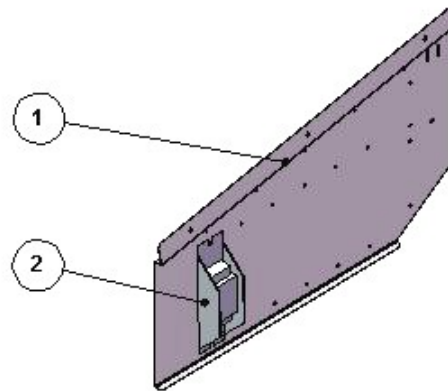
ITEM NUMBER	DOCUMENT NUMBER	TITLE	MATERIAL	PART NO. FOR EACH MODULE				
				1250	1875	2500	3125	3750
1.	TT0F002	FANS HOLDER	STAINLESS STEEL AISI304 6/10	6FI125040118	6FI187040118	6FI250040118	6FI312040118	6FI375040118
2.		MOTORFAN		4241007				
3.		CABLE CONNECTOR L. 1525 MM		4110606				
4.		SHUNT BOX D.65 GEWISS	PLAST INSULATING MAT. GW	4115401				
5.	TT0F016	EVAPORATOR BACK CLOSURE STOPPER	STAINLESS STEEL AISI 304 8/10	6FI125040022				
6.	RG215	EVAPORATOR	COOPER TUBES - ALUMINIUM SHEETS	4220343	-	-	-	-
	RG216			-	4220344	4220345	4220309	4220346
7.	TT0F008	SUCTION TUBE	COOPER TUBES 10X12	4260104				
8.		ANTICONDENSATE TUBE	INSULATING SPONGE 6 X 22	4270505				
9.		VALVE BULB						
10.		WELDED VALVE THERMOSTAT.R404 TES/2		4251311				
11.		PIPE UNION 3/8SAE Ø 8		4272415				
12.	PP303.1	EVAPORATOR DELIVERY SIDE TUBE	COOPER TUBES Ø8	4271314				
13.	CC0F012	EVAPORATOR COVER SUPPORT BRACKET	SILVER PLATED +PLASTICIZED ALUMINIUM 20/10	6PP096040036				
14.	PP293.1	VALVE - EVAPORATOR TUBE WITH LIQUID DISTRIBUTOR	COOPER TUBES Ø12 - Ø6	4271313				
15.	TT0F023	DEFROSTING RESISTOR	STAINLESS STEEL AISI 304	4122102	4122103	4122104	4122105	4122106

### 1.1.2. BOTTOM BASIN ASSEMBLY



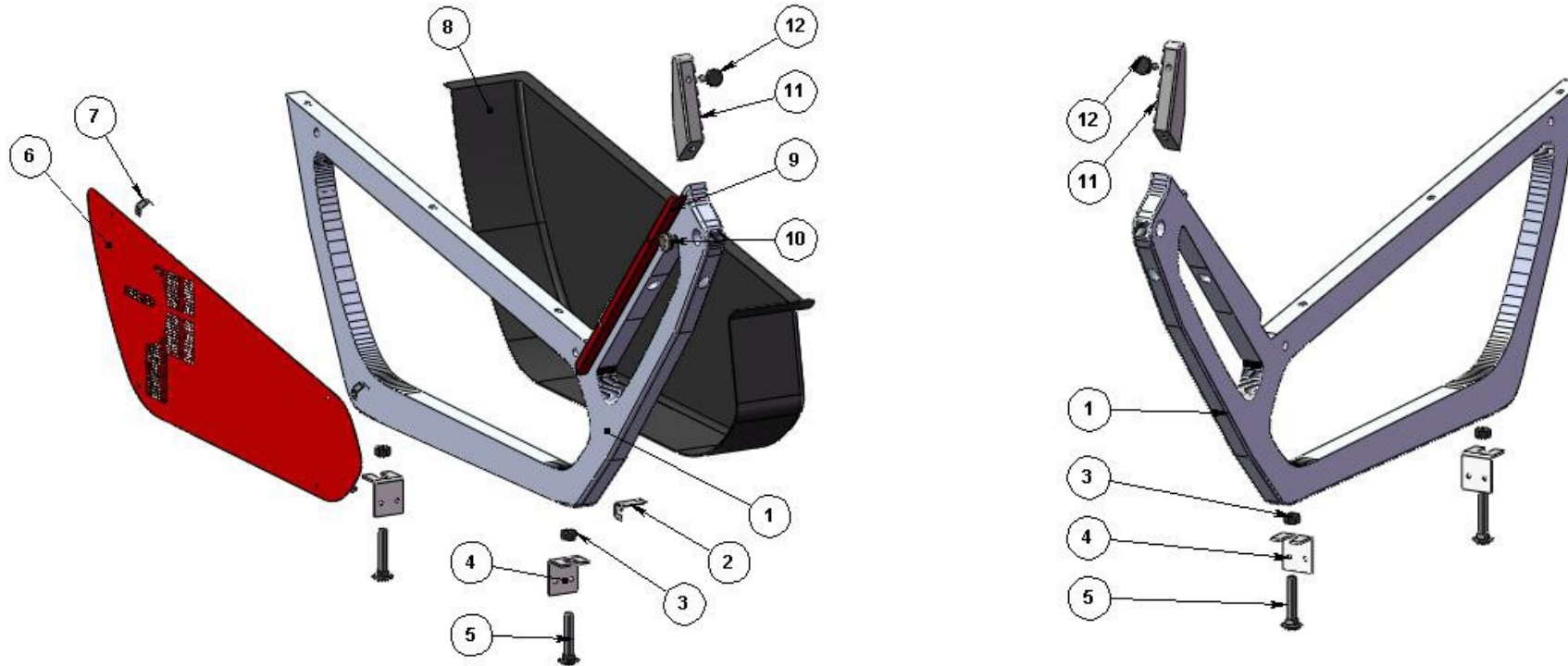
ITEM NUMBER	DOCUMENT NUMBER	TITLE	MATERIAL	PART NO. FOR EACH MODULE				
				1250	1875	2500	3125	3750
1.		DRAIN NUT D. 44	ABS			4102106		
2.		DRAIN 10124 1'1/2 GAS L.75 MM	ABS			4102132		
3.		DRAIN D. 44	ABS			4102106		
4.		DRAIN NUT 1" 1/2 GAS	ABS			4102132		
5.		LATERAL FRAME						
6.	TT0B014	LOADING SLIDE	SPRUCE WOOD			4321345		
7.		CENTRAL FRAME						
8.		SPLINE	WOOD 80 X 50 X 630					
9.		BALLAST HOLDER PANEL						
10.		DRAIN EXCELLEN. H90 D32-10106	ABS			4102125		
11.		DRAIN NUT D32	ABS					
12.		DRAIN D. 20	ABS			4102101		
13.		DRAIN NUT D. 20	ABS			4102101		

### 1.1.2.1. BALLAST HOLDER PANEL



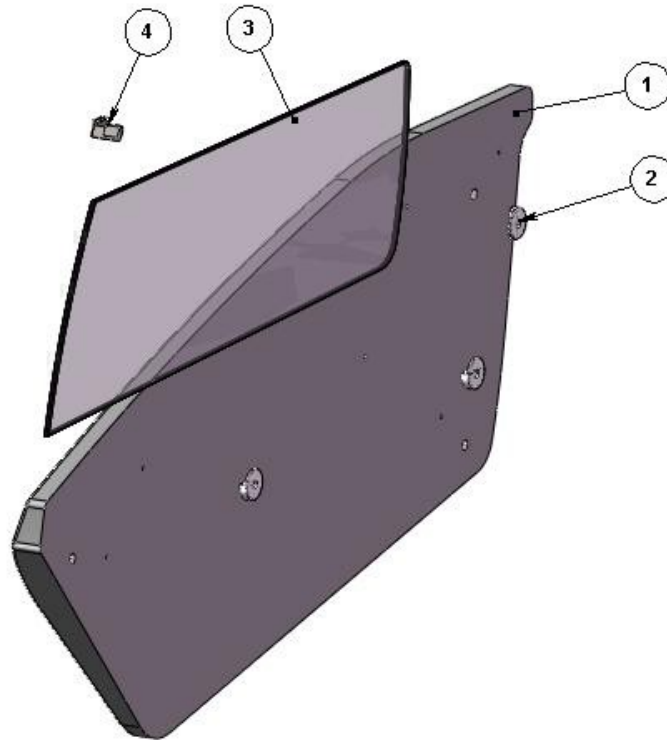
ITEM NUMBER	DOCUMENT NUMBER	TITLE	MATERIAL	PART NO. FOR EACH MODULE				
				1250	1875	2500	3125	3750
1.		BALLAST PANEL	IRON SHEET 10/10	2IV125090003				
2.		BALLAST		15W	18 – 20 W	30W	36 – 40 W	58 – 65 W
				4115106	4115102	4115103	4115104	4115105

### 1.1.2.2 LATERAL AND CENTRAL FRAME ASSEMBLY



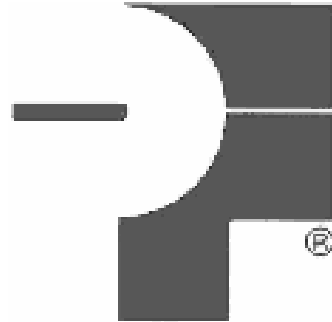
ITEM NUMBER	DOCUMENT NUMBER	TITLE	MATERIAL	PART NO. FOR EACH MODULE				
				1250	1875	2500	3125	3750
1.	SF0B001	FRAME	ALUMINIUM ALLOY	2IV125060001				
2.	SF0B010	CASE FIXING BRACKET	GALVANIZED SHEET 10/10	6IV125060003 (SX) 6IV125060002 (DX)				
3.		NUT SPACER M14	GALVANIZED IRON					
4.	SF0B008	LOADING SLIDE FIXING BRACKET	IRON SHEET 30/10	4282832				
5.		BOLT M12X45	GALVANIZED STEEL					
6.	SF0B004	LATERAL FRAME CLOSURE	GALVANIZED SHEET 10/10	2IV125080014 (SX) 2IV125080004 (DX)				
7.	SF0B005	SPRING FOR LATERAL CLOSURE COUPLIG	STAINLESS STEEL AISI301 5/10	4282798				
8.	SF0B003	CASE CLOSURE	ABS	4100339 (SX) 4100338 (DX)				
9.	SF0J007	FRONT SIDE WALL STOPPER	GALVANIZED SHEET 7/10					
10.		STOPPER P.V.C.CHROMED D.25 S.T.1		4333107				
11.	SF0D031	GLASS UPRIGHT FOR SELF SERVICE		4081169				
12.		KNURLED KNOB PZA0800		4331413				

## 2. LATERAL SIDE WALL



ITEM NUMBER	DOCUMENT NUMBER	TITLE	MATERIAL	PART NO. FOR EACH MODULE				
				1250	1875	2500	3125	3750
1.	SF0M001	SIDE WALL SYNUS POL. PAINTED	POLYURETHANE Thikness 50mm	2IV125080012 (SX)				
				2IV125080002 (DX)				
2.		LATERAL GLASS BLOCK	PVC	4100313				
3.	SF0M005	SIDE GLASS SELF SERVICE	FLOAT 6 mm					
4.	ETOM004	FRONT GLASS – SIDE WALL SS BRACKET	STAINLESS STEEL AISI304 15/10	6DV120032001 (DX)				
				6DV120032002 (SX)				





**pastorfrigor**<sup>spa</sup>

Regione Gabannone, 4 – Zona Industriale  
15030 TERRUGGIA (AL) ITALY  
Tel. +39 0142 433711  
Fax. +39 0142 433700