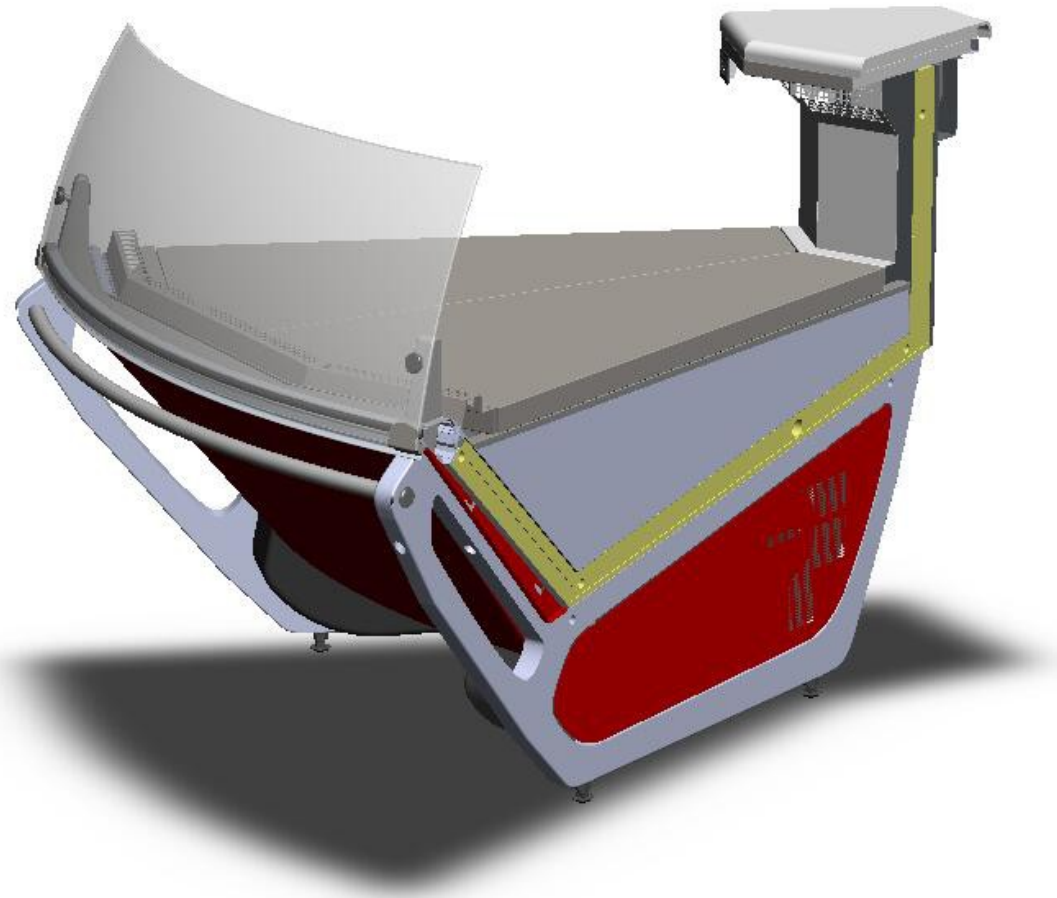




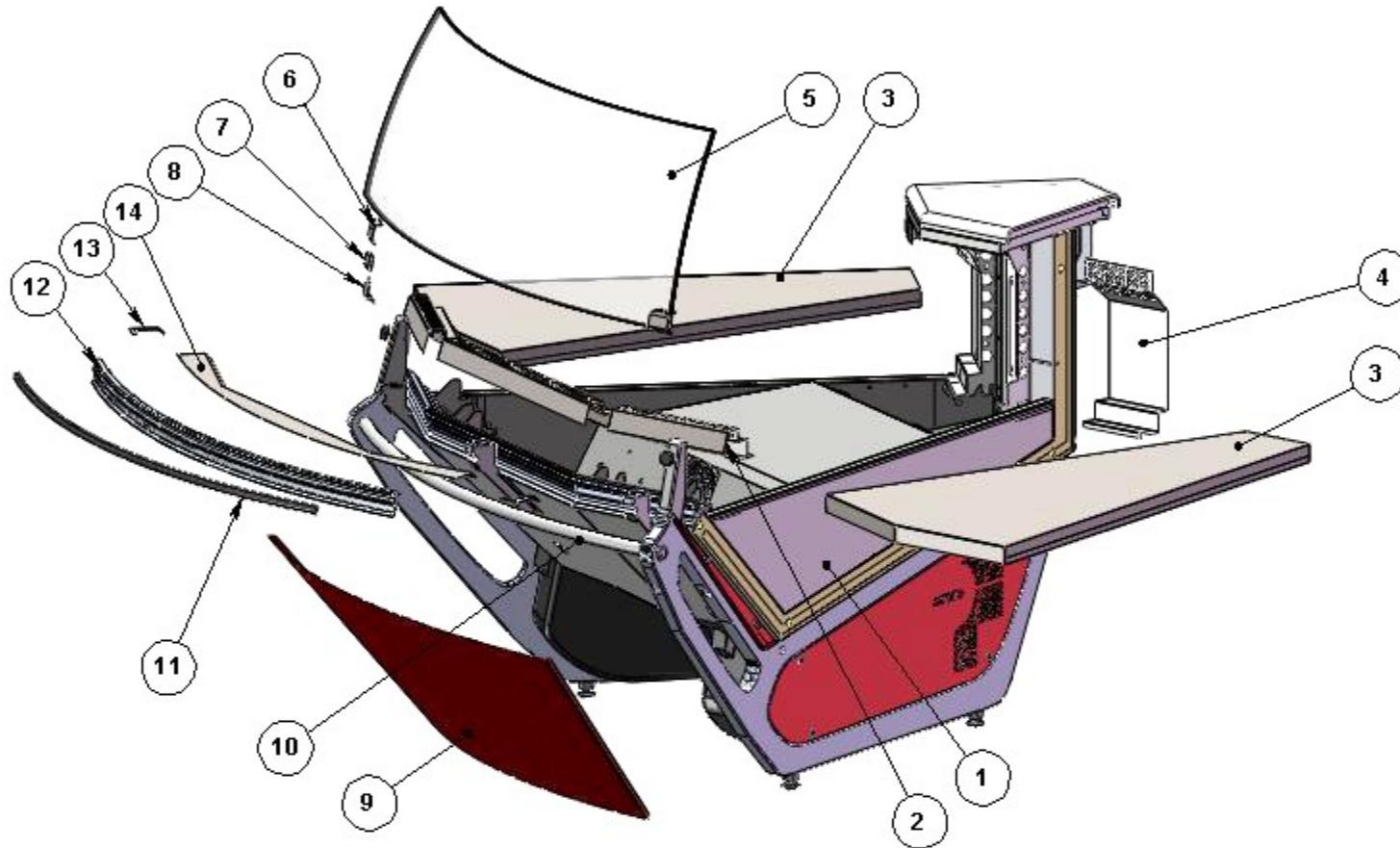
EXPLODED VIEW

SYNUS SELF SERVICE 45 EXTERNAL CORNER



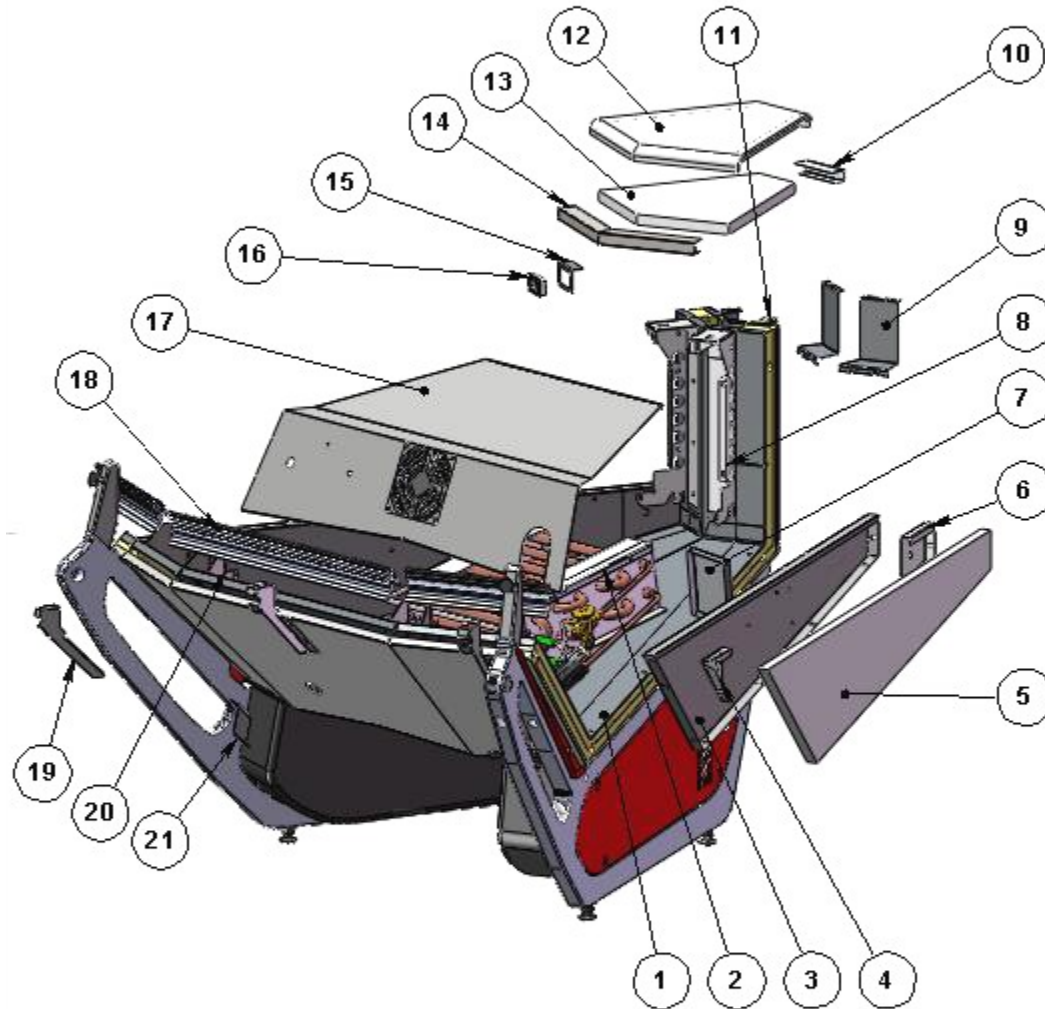
GENERAL SPLITTING UP

1. INTERNAL FINISH, FRONTAL DECORATION



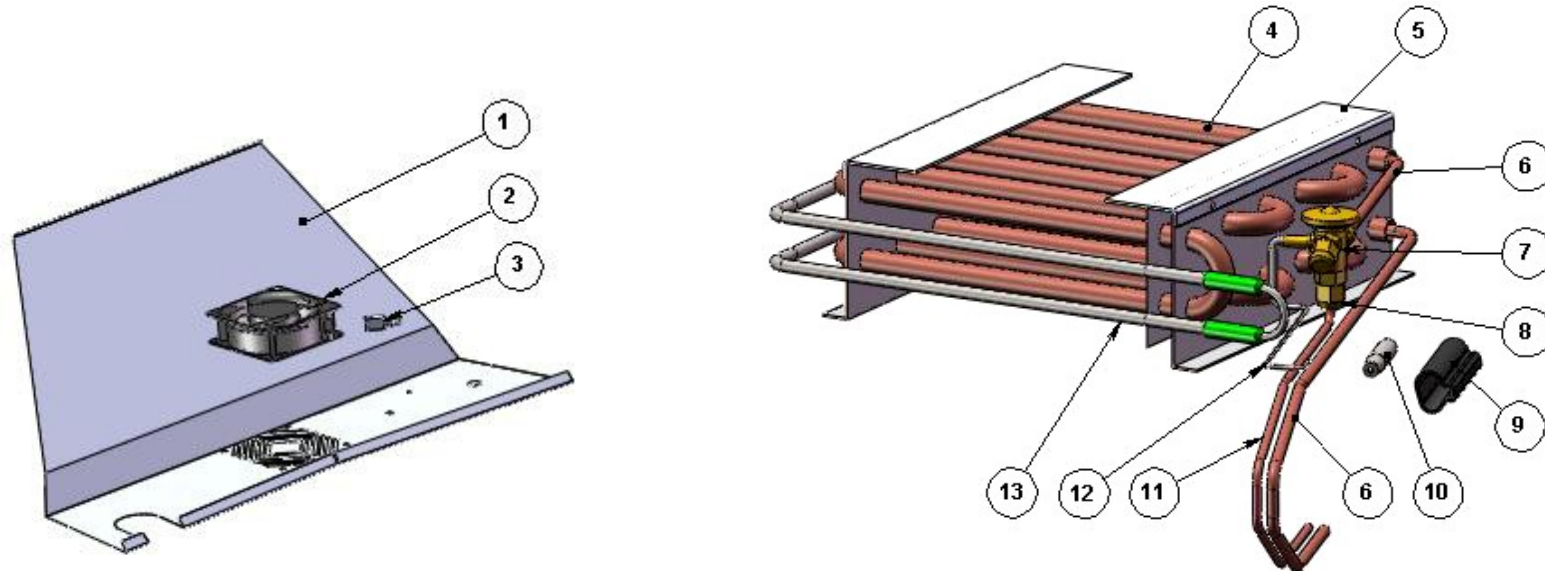
ITEM NUMBER	DOCUMENT NUMBER	TITLE	MATERIAL	PART NO. FOR MODULE
1.		BASIN INTERNAL FINISH		
2.	SF0G009	SUCTION GRID	STAINLESS STEEL AISI304 8/10	6IV45E040022 (DX)
				6IV45E040002 (CX)
				6IV45E040042 (SX)
3.		REMOVABLE PLATE EXTERNAL CORNER ASSEMBLY		2IV45E040003 (DX)
				2IV45E040005 (SX)
4.	TT0G008	AIR OUTLET GRID	STAINLESS STEEL AISI304 SB+PRO 8/10	6FI45E040029 (DX)
				6FI90E040009 (CX)
				6FI45E040049 (SX)
5.	SF0D027	SPHERIC GLASS EXT. S/S		4191628
6.	SF0D035	FIXING S/S GLASS BACK BRACKET	STAINLESS STEEL AISI304 2B,15/10	6IV125032002
7.		GLASS GASKET PROFILE U ART. P0 924	PVC	4180100
8.	SF0D035	FIXING GLASS SS FRONT BRACKET	STAINLESS STEEL AISI304 2B,15/10	6IV125032001
9.	SF0J011.1	FRONT PANEL	GALVANIZED SHEET 7/10	2IV45E070001
10.	SF0L004	TROLLEY STOPPER TUBE	ROUND STAINLESS STEEL TUBE PROFILE 22X1,5 L.6000	2IV45E0F0004
11.		GUMMY INSERT PROFILE	PVC	4180409
12.	SF0L009	FRONT PROFILE	ALUMINIUM	2IV45E0F0003
13.	SF0G012	LATERAL UPRIGHT STOPPER	GREY PLAST. N1 6/10	6IV1250F0006 (DX)
				6IV1250F0007 (SX)
14.	SF0G001	UPRIGHT STOPPER	GREY PLAST. N1 6/10	6IV45E0F0005

1.1. BASIN INTERNAL FINISH



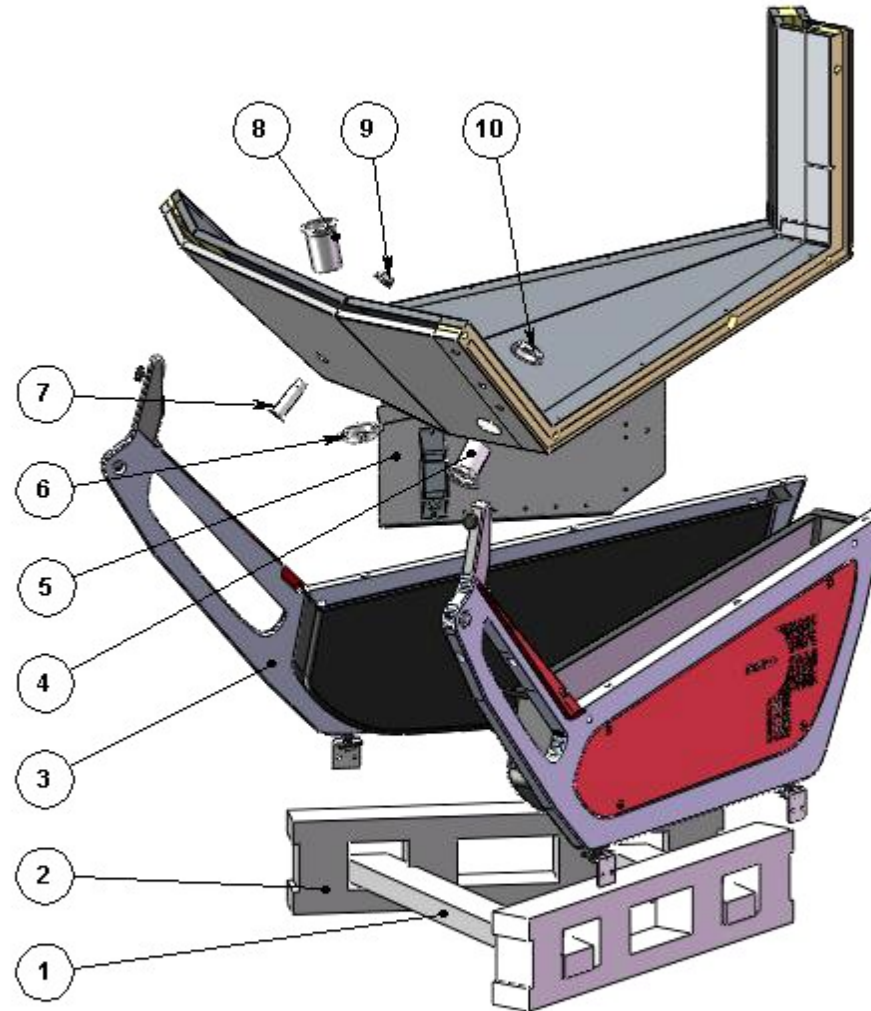
ITEM NUMBER	DOCUMENT NUMBER	TITLE	MATERIAL	PART NO. FOR MODULE
1.		BOTTOM BASIN ASSEMBLY		
2.		EVAPORATOR		
3.	PP013	BASIN STOPPER	STAINLESS STEEL AISI304 5/10	6PP096040001(SX) 6PP096040000(DX)
4.	RG034	SIDE WALL FIXING BRACKET	IRON SHEET 15/10	6SV072040039(SX) 6SV072040038(DX)
5.	PP042	BASIN STOPPER INSULATION	POLYSTYRENE D.30	2PP096040006
6.	RG106	BACK STOPPER BRACKET	IRON SHEET 15/10	6SV072040041(SX) 6SV072040040(DX)
7.	PP181	LATERAL EVAPORATOR COVER	STAINLESS STEEL AISI304 1F/2B-2F/S4 6/10	6PP45E040006
8.	TT0G006	BACK GRID SUPPORT BRACKET	IRON SHEET 15/10	6FI125040113(SX) 6FI125040112(DX)
9.	TT0H011	BLIND WIREWAY	GREY PLAST. N1 6/10	6FI45E010027 (DX) 6FI45E010047 (SX)
10.	PP212	FRONT CLOSURE	STAINLESS STEEL AISI304 DEC9 BA + PRO + SATIN FINISHED 80 H435X7/10	6PP45E010007
11.	TT0H004	BACK LEVEL SURFACE SUPPORT	IRON SHEET 20/10	6FI125010011 (SX) 6FI125010009 (DX)
12.	PP062	WHITE PLAST. CM2,5 "PP "45° CORNER	POLYETHYLENE Th. 25mm	4081121
13.	PP210	PLAST. STOPPER EXTERNAL CORNER	POLYETHYLENE Th. 18mm	4081128
14.	PP212	BACK CLOSURE	STAINLESS STEEL AISI304 DEC9 BA + PRO + SATIN FINISHED 80 H435X7/10	6PP45E010008
15.	TT0C002	THERMOMETER HOLDER	STAINLESS STEEL AISI304 15/10	6FI125020007
16.		DIGITAL THERMOMETER		4131307
17.		FANS HOLDER		
18.	SF0G003	TOP BAFFLE PROFILE	PVC	2IV45E040021 (DX) 2IV45E040001 (CX) 2IV45E040041 (SX)
19.	SFOL002	GLASS REBATE PROFILE SUPPORT BRACKET	GALVANIZED SHEET 15/10	6IV1250F0002(SX) 6IV1250F0001(DX)
20.	TT0G007	FRONT GRID SUPPORT BRACKET	IRON SHEET 15/10	6FI125040115 (SX) 6FI125040114 (DX)
21.	SF0J005	FRONT PANEL SUPPORT	GALVANIZED SHEET 15/10	6IV45E070017 (SX) 6IV45E070018 (DX)

1.1.1. FANS HOLDER AND EVAPORATOR



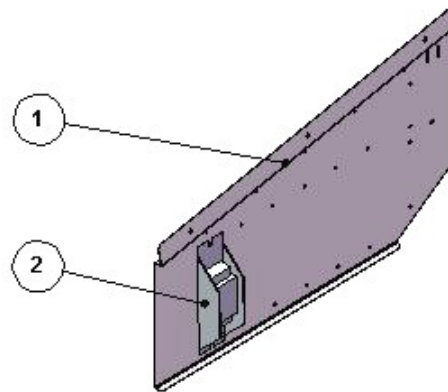
ITEM NUMBER	DOCUMENT NUMBER	TITLE	MATERIAL	PART NO. FOR MODULE
1.	PP181	EVAPORATOR COVER	STAINLESS STEEL AISI304 6/10	6PP45E040005
2.		MOTORFAN "PP" 4715 MS23TB10 A00		4241007
3.		CABLE CONNECTOR L. 1525 MM		4110606
4.		EVAPORATOR KING V. 135 E - I VER	COOPER TUBES - ALUMINIUM SHEETS	4220300
5.	CC0F012	EVAPORATOR BRACKET	ALUMINIUM 20/10	6PP096040036
6.	PP440	COOPER D.6 X 8 L1400	COOPER TUBES D.6 X 8	4272415
7.		WELDED VALVE THERMOSTAT.R404 TES/2		4251311
8.		PIPE UNION 3/8SAE Ø8		4272415
9.		ANTICONDENSATE TUBE	INSULATING SPONGE 6 X 22	4270505
10.		VALVE BULB		
11.	PP441	COOPER D.4X6 L.75	COOPER TUBES D.4 X 6	4272414
12.		CAPILLARY TUBE	COOPER TUBES 1.8X3	4260206
13.	RG179	DEFROSTING RESISTOR Ø8.5	STAINLESS STEEL AISI304	4122101

1.1.2. BOTTOM BASIN ASSEMBLY



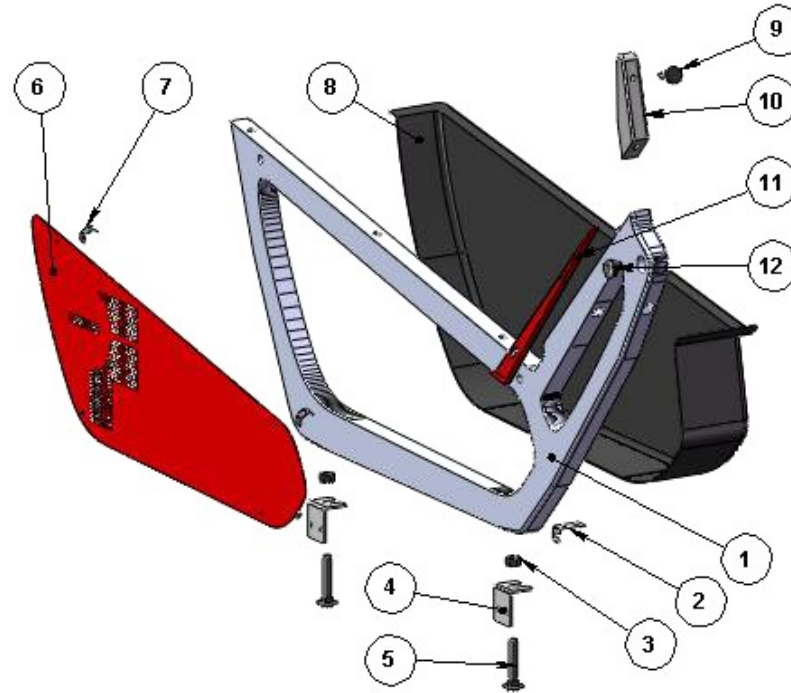
ITEM NUMBER	DOCUMENT NUMBER	TITLE	MATERIAL	PART NO. FOR MODULE
1.	0B 007	LOADING SLIDE EE 3565	SPRUCE WOOD 75X38	4321223
2.	PP178	SLIDE ALPHA" H80 L. 720	SPRUCE WOOD	4321310
3.		LATERAL FRAME		
4.		DRAIN D. 44	ABS	4102106
5.		BALLAST HOLDER PANEL		
6.		DRAIN NUT 1"1/2	ABS	
7.		DRAIN D. 20	ABS	4102101
8.		DRAIN 10124 1"1/2 GAS L.75 MM	ABS	4102132
9.		DRAIN NUT D. 20	ABS	4102101
10.		DRAIN NUT D. 44	ABS	4102106

1.1.2.1. BALLAST HOLDER PANEL



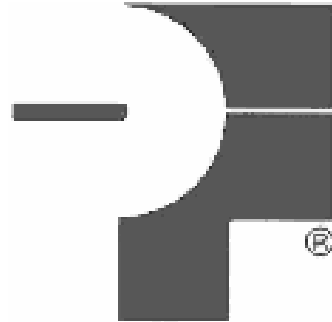
ITEM NUMBER	DOCUMENT NUMBER	TITLE	MATERIAL	PART NO. FOR MODULE				
1.		BALLAST PANEL	IRON SHEET 10/10	2IV125090003				
2.		BALLAST		15W	18 – 20 W	30W	36 – 40 W	58 – 65 W
				4115106	4115102	4115103	4115104	4115105

1.1.2.2. LATERAL FRAME



ITEM NUMBER	DOCUMENT NUMBER	TITLE	MATERIAL	PART NO. FOR MODULE
1.	SF0B001	FRAME	ALUMINIUM ALLOY	2IV125060001
2.	SF0B010	CASE FIXING BRACKET	GALVANIZED SHEET 10/10	6IV125060003 (SX) 6IV125060002 (DX)
3.		NUT SPACER M14	GALVANIZED IRON	
4.	SF0B008	LOADING SLIDE FIXING BRACKET	IRON SHEET 30/10	4282832
5.		BOLT M12X45	GALVANIZED STEEL	
6.	SF0B004	LATERAL FRAME CLOSURE	GALVANIZED SHEET 10/10	2IV125080014 (SX) 2IV125080004 (DX)
7.	SF0B005	SPRING FOR LATERAL CLOSURE COUPLIG	STAINLESS STEEL AISI301 5/10	4282798
8.	SF0B006	CASE CLOSURE	ABS	4100339 (SX) 4100338 (DX)
9.		KNURLED KNOB PZA0800		4331413
10.	SF0D031	UPRIGHT FOR SELF SERVICE GLASS		4081169
11.	SF0J007	FRONT SIDE WALL STOPPER	GALVANIZED SHEET 7/10	
12.		CHROMED STOPPER D.25 S.T.1	PVC	4333107





pastorfrigor^{spa}

Regione Gabannone, 4 – Zona Industriale
15030 TERRUGGIA (AL) ITALY
Tel. +39 0142 433711
Fax. +39 0142 433700