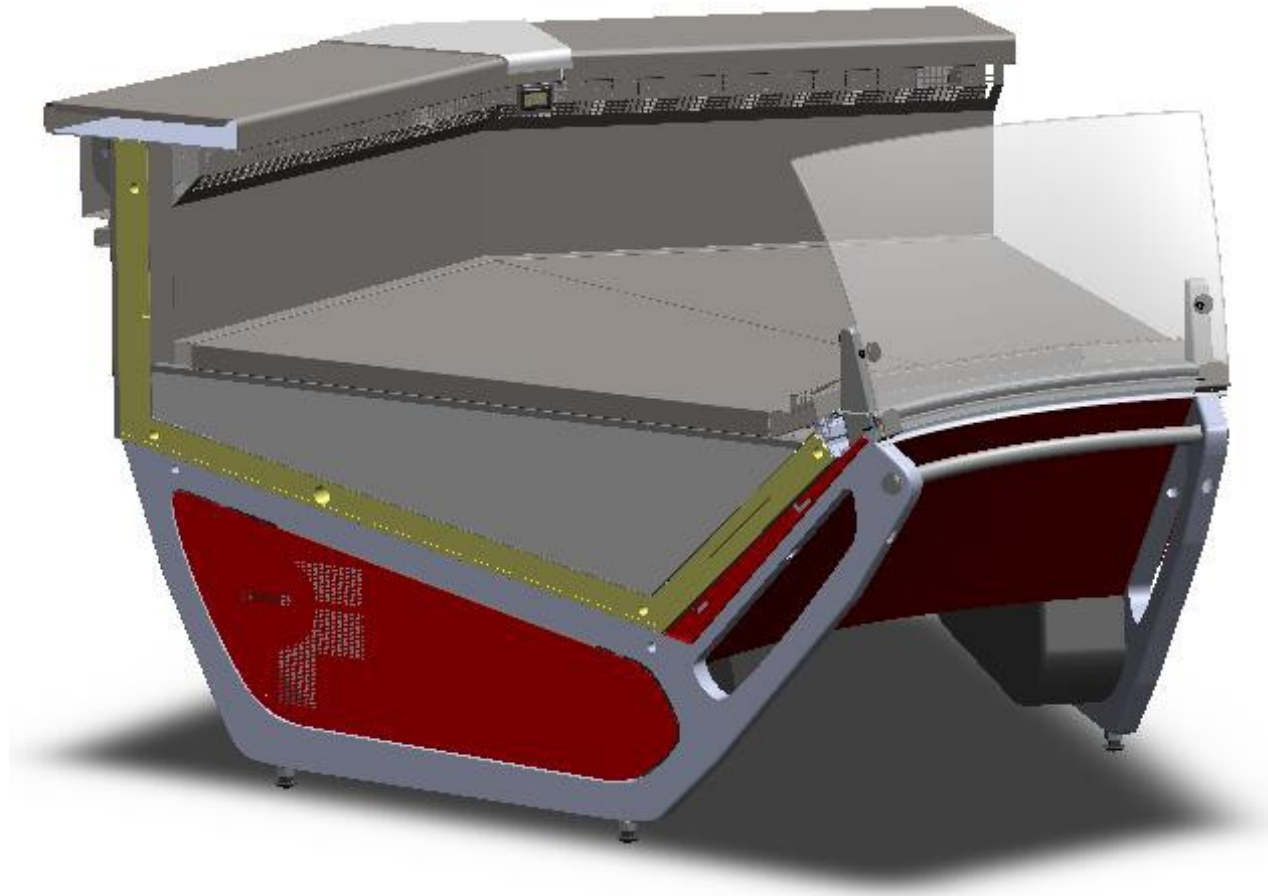




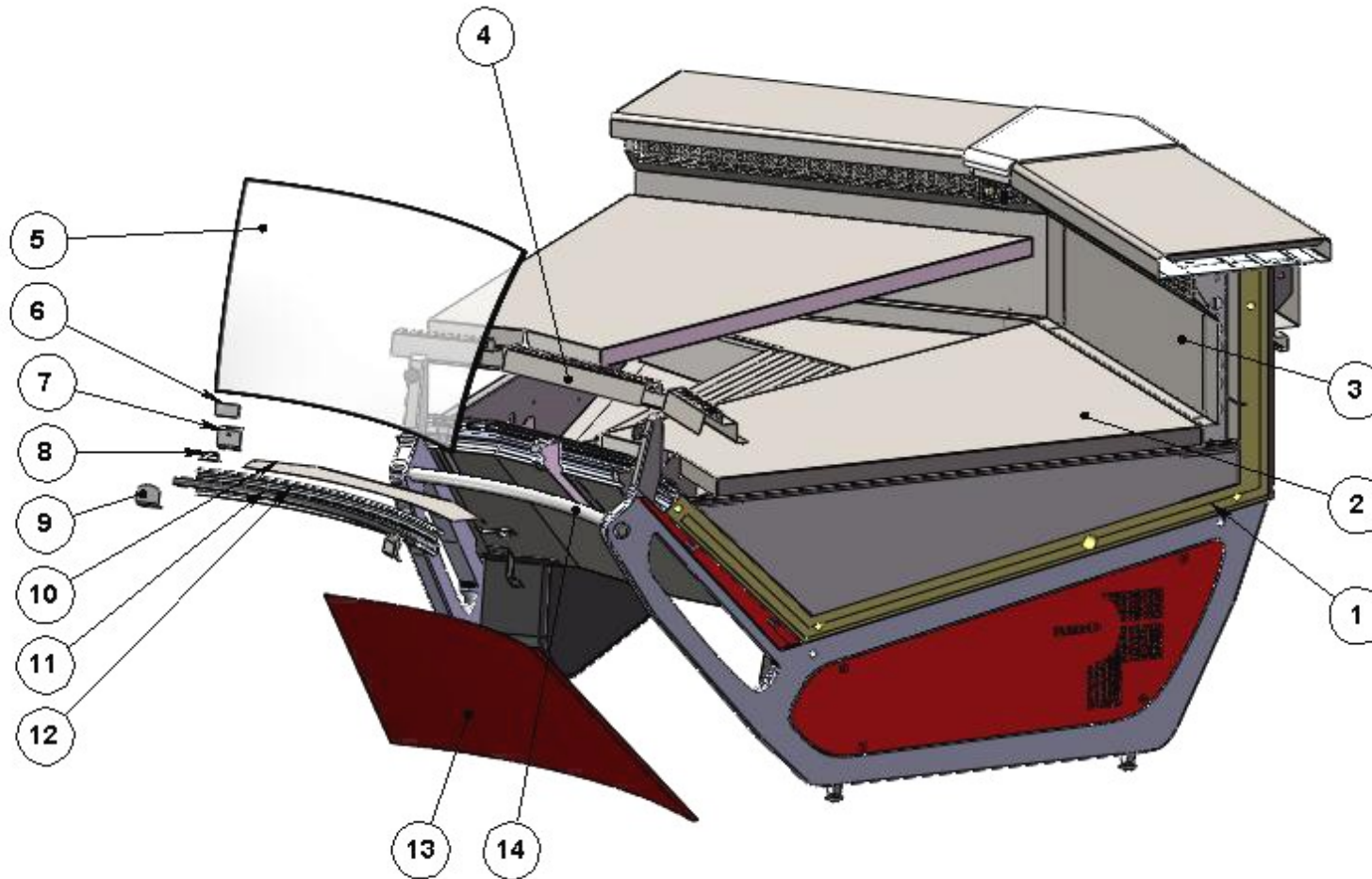
EXPLODED VIEW

SYNUS SELF SERVICE 45 INTERNAL CORNER



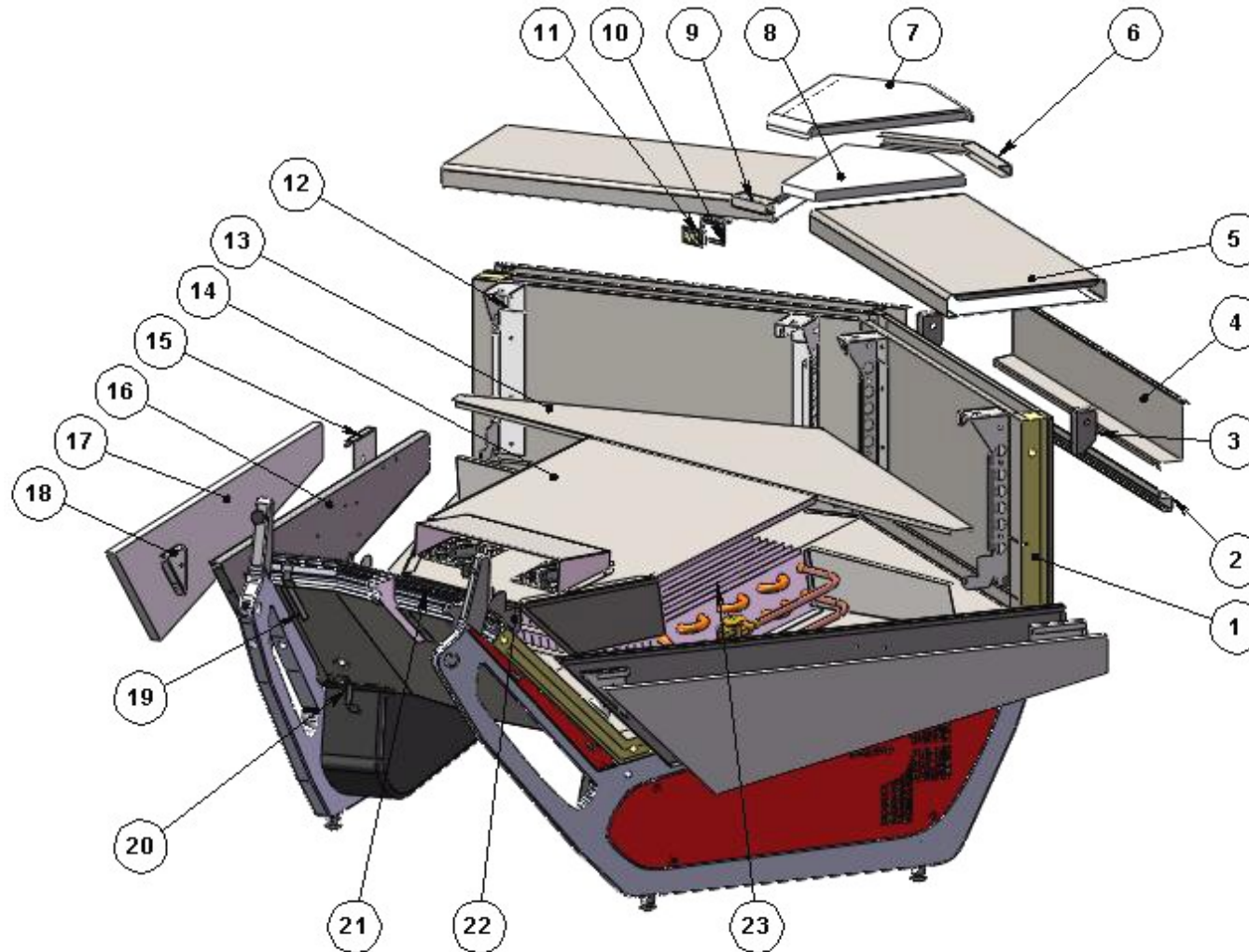
GENERAL SPLITTING UP

1. INTERNAL FINISH, FRONTAL DECORATION



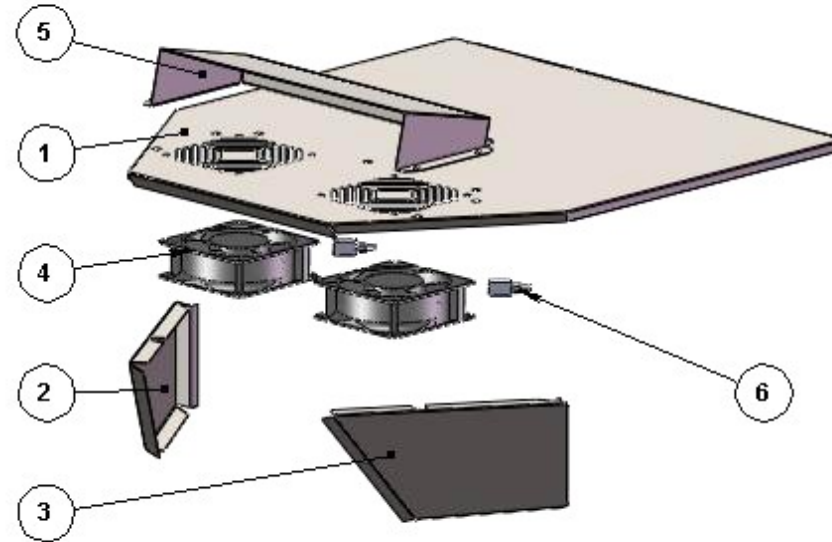
ITEM NUMBER	DOCUMENT NUMBER	TITLE	MATERIAL	PART NO. FOR MODULE
1.		BASIN INTERNAL FINISH		
2.	SF0K004	REMOVABLE PLATE INTERNAL CORNER	STAINLESS STEEL AISI304 SB+PRO 8/10	6IV45I040006 (SX) 6IV45I040004 (DX)
3.	SF0G011	AIR OUTLET GRID	STAINLESS STEEL AISI304 SB+PRO 8/10	6IV45I040027 (DX) 6IV45I040047 (SX) 6IV45I040022 (DX)
4.	SF0G010	SUCTION GRID	STAINLESS STEEL AISI304 SB+PRO 8/10	6IV45I040002 (CX) 6IV45I040042 (SX)
5.	SF0D028	SS GLASS 45 INTERNAL CORNER	FLOAT 6 MM TRANSPARENT	4191629
6.		GLASS GASKET PROFILE U ART. P0 924	PVC	4180100
7.	SF0D035	S/S GLASS BACK FIXING BRACKET	STAINLESS STEEL AISI304 2B,15/10	6IV125032002
8.	SF0G012	LATERAL UPRIGHT STOPPER	GREY PLAST. N1 6/10	6IV1250F0006 (DX) 6IV1250F0007 (SX)
9.	SF0D035	S/S GLASS FRONT FIXING BRACKET	STAINLESS STEEL AISI304 2B,15/10	6IV125032001
10.	SF0G004	UPRIGHT STOPPER 135° INT. CORNER	GREY PLAST. N1 6/10	6IV45I0F0005
11.		GUMMY INSERT PROFILE	PVC	4180403
12.	SF0L010	FRONT PROFILE	ALUMINIUM	2IV45I0F0003
13.	SF0J012	FRONT PANEL	GALVANIZED SHEET SKIMPAS 7/10	2IV45I070001
14.	SF0L005	TROLLEY STOPPER TUBE	ROUND STAINLESS STEEL TUBE PROFILE 22X1,5 L.6000	2IV45I0F0004

1.1. BASIN INTERNAL FINISH



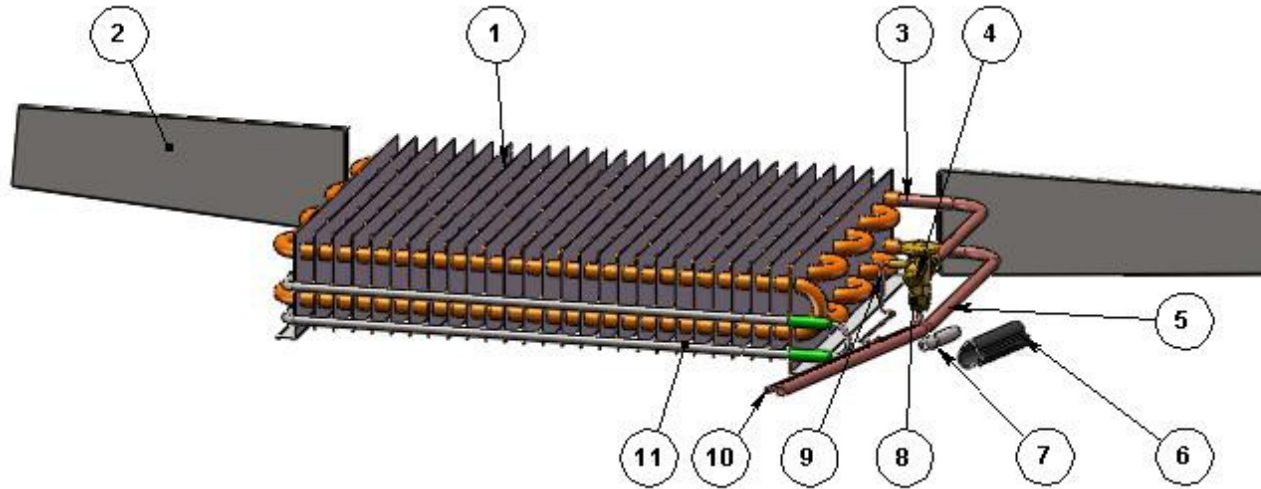
ITEM NUMBER	DOCUMENT NUMBER	TITLE	MATERIAL	PART NO. FOR MODULE
1.		BOTTOM BASIN ASSEMBLY		
2.	TT0H014	SLIDING GUIDE FOR ACCESSORIES	STAINLESS STEEL AISI304 SB+PRO 8/10	6FI093010028
3.	TT0H004	BACK LEVEL SURFACE SUPPORT	IRON SHEET 20/10	6FI125010011 (SX) 6FI125010009 (DX)
4.	SF0H003	BLIND WIREWAY	GREY PLAST. N1, 6/10	6IV45I010025 (DX) 6IV45I010045 (SX)
5.		SKIMMED PLAIN 135° INT. CORNER		2IV45I010001
6.	PP211	BACK CLOSURE 45° EXT. CORNER	STAINLESS STEEL AISI304 DEC9 BA + PRO + SATIN FINISHED 80 H435X7/10	6PP45E010008
7.	PP062	WHITE PLAST. CM2,5 "PP "45° CORNER	POLYETHYLENE Th. 25mm	4081121
8.	PP210	PLAST. STOPPER EXTERNAL CORNER	POLYETHYLENE Th. 18mm	4081128
9.	PP211	FRONT CLOSURE 45° EXT. CORNER	STAINLESS STEEL AISI304 DEC9 BA + PRO + SATIN FINISHED 80 H435X7/10	6PP45E010007
10.	TT0C002	THERMOMETER HOLDER	STAINLESS STEEL AISI304 15/10	6FI125020007
11.		DIGITAL THERMOMETER		4131307
12.	TT0G006	BACK GRID SUPPORT BRACKET	IRON SHEET 15/10	6FI125040113(SX) 6FI125040112(DX)
13.	SF0F003	BACK EVAPORATOR CLOSURE	STAINLESS STEEL AISI304 1F/2B-2F/S4 6/10	6IV45I040020
14.		FANS HOLDER		
15.	RG106	BACK STOPPER BRACKET	IRON SHEET 15/10	6SV072040041(SX) 6SV072040040(DX)
16.	PP013	BASIN STOPPER	STAINLESS STEEL AISI304 5/10	6PP096040001(SX) 6PP096040000(DX)
17.	PP042	BASIN STOPPER INSULATION	POLYSTYRENE D.30	2PP096040006
18.	RG034	SIDE WALL FIXING BRACKET	IRON SHEET 15/10	6SV072040039(SX) 6SV072040038(DX)
19.	SFOL002	GLASS REBATE PROFILE SUPPORT BRACKET	GALVANIZED SHEET 15/10	6IV1250F0002(SX) 6IV1250F0001(DX)
20.	SF0J005	FRONT PANEL SUPPORT	GALVANIZED SHEET 15/10	6IV45E070017 (SX) 2IV45I040021 (DX)
21.	SF0G006	TOP BAFFLE PROFILE	PVC	2IV45I040001 (CX) 2IV45I040041 (SX)
22.	TT0G007	FRONT GRID SUPPORT BRACKET	IRON SHEET 15/10	6FI125040115 (SX) 6FI125040114 (DX)
23.		EVAPORATOR ASSEMBLY		

1.1.1. FANS HOLDER



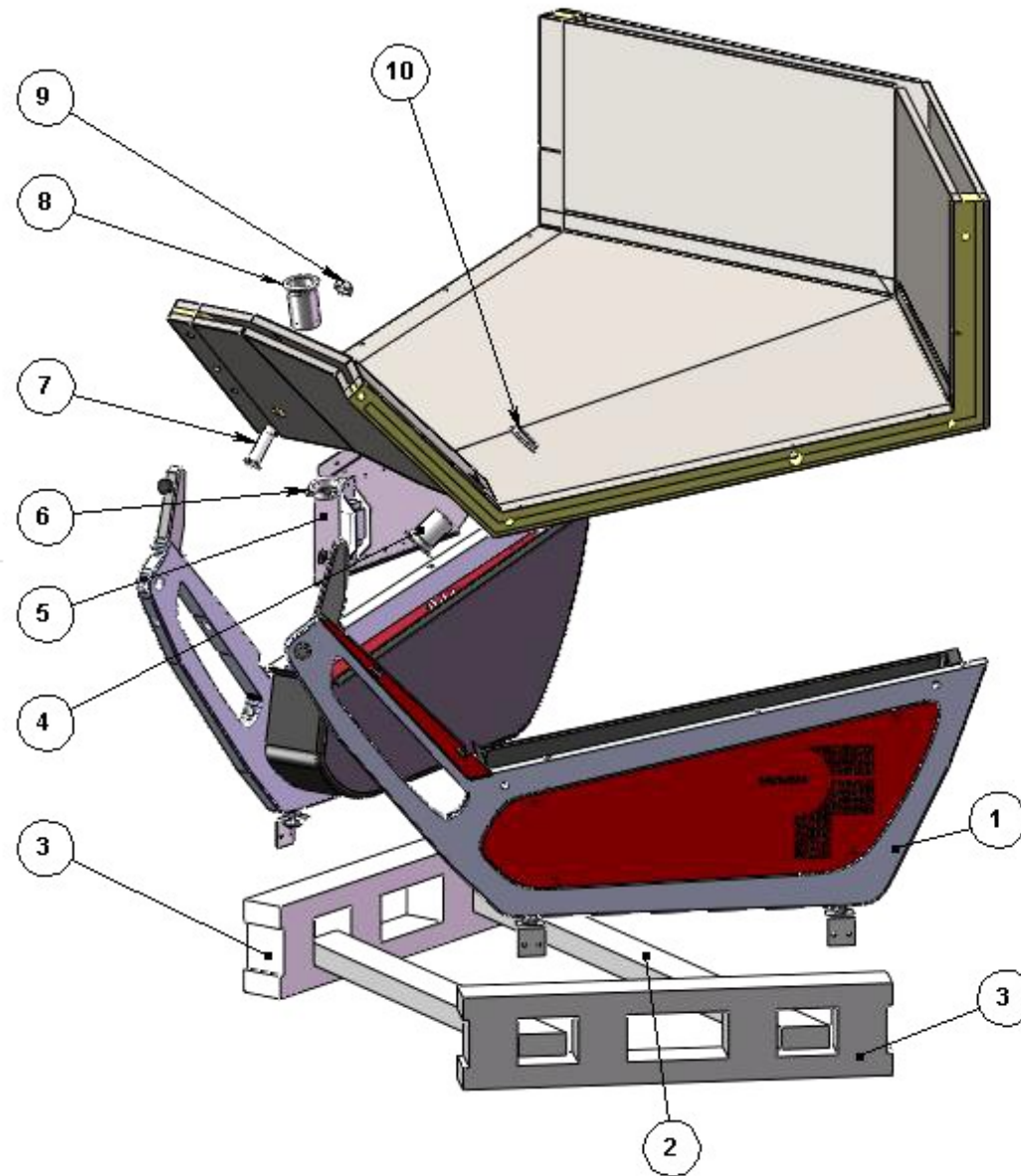
ITEM NUMBER	DOCUMENT NUMBER	TITLE	MATERIAL	PART NO. FOR MODULE
1.	SFOG002	EVAPORATOR COVER 135° INT. CORNER	STAINLESS STEEL AISI304 1F/2B-2F/S4 6/10	6IV45I040018
2.	SFOF002	RIGHT LATERAL EVAPORATOR COVER 135°INT. CORNER	STAINLESS STEEL AISI304 1F/2B-2F/S4 6/10	6IV45I040039
3.	SFOF002	LEFT LATERAL EVAPORATOR COVER 135°INT. CORNER	STAINLESS STEEL AISI304 1F/2B-2F/S4 6/10	6IV45I040019
4.		MOTOFAN "PP" 4715 MS23TB10 A00		4241007
5.	PP183	FAN COVER 90° INT. CORNER	STAINLESS STEEL AISI304 1F/2B-2F/S4 6/10	6PP90I040012
6.		CABLE CONNECTOR L. 1525 MM		4110606

1.1.2. EVAPORATOR



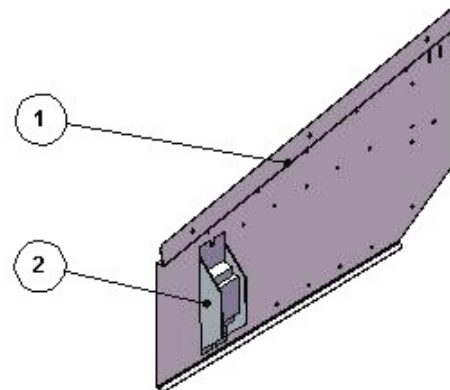
ITEM NUMBER	DOCUMENT NUMBER	TITLE	MATERIAL	PART NO. FOR MODULE
1.		EVAPORATOR 720 KING V.VERN. 520	COOPER TUBES - ALUMINIUM SHEETS	4220301
2.	SF0F003	AIR CLOSURE 135° INT. CORNER	STAINLESS STEEL AISI304 1F/2B-2F/S4 6/10	6IV45I040021 (SX) 6IV45I040041 (DX)
3.		COOPER D.6 X 8	COOPER TUBES D.6 X 8	4272415
4.		WELDED VALVE THERMOSTAT.R404 TES/2		4251311
5.	PP440	COOPER D.6 X 8 L1400	COOPER TUBES D.6 X 8	4272415
6.		ANTICONDENSATE TUBE	INSULATING SPONGE 6 X 22	4270505
7.		VALVE BULB		
8.		PIPE UNION 3/8SAE Ø8		4272415
9.		CAPILLARY TUBE	COOPER TUBES 1.8X3	4260206
10.	PP441	COOPER D.4X6 L.75	COOPER TUBES D.4 X 6	4272414
11.	RG179	DEFROSTING RESISTOR Ø8.5	STAINLESS STEEL AISI304	4122101

1.1.3. BOTTOM BASIN ASSEMBLY



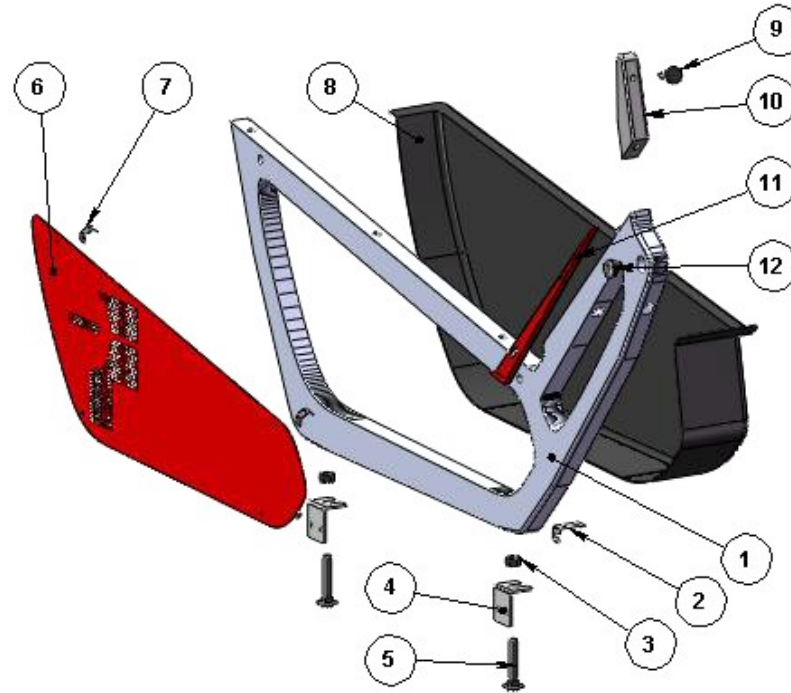
ITEM NUMBER	DOCUMENT NUMBER	TITLE	MATERIAL	PART NO. FOR MODULE
1.		LATERAL FRAME		
2.	0B 007	LOADING SLIDE EE 3565	SPRUCE WOOD 75X38	4321223
3.	PP178	SLIDE ALPHA" H80 L. 720	SPRUCE WOOD	4321310
4.		DRAIN D. 44	ABS	4102106
5.		BALLAST HOLDER PANEL		
6.		DRAIN NUT 1"1/2	ABS	
7.		DRAIN D. 20	ABS	4102101
8.		DRAIN 10124 1"1/2 GAS L.75 MM	ABS	4102132
9.		DRAIN NUT D. 20	ABS	4102101
10.		DRAIN NUT D. 44	ABS	4102106

1.1.3.1. BALLAST HOLDER PANEL

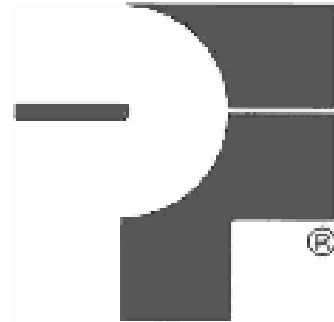


ITEM NUMBER	DOCUMENT NUMBER	TITLE	MATERIAL	PART NO. FOR MODULE				
1.		BALLAST PANEL	IRON SHEET 10/10	2IV125090003				
2.		BALLAST		15W	18 – 20 W	30W	36 – 40 W	58 – 65 W
				4115106	4115102	4115103	4115104	4115105

1.1.3.2. LATERAL FRAME



ITEM NUMBER	DOCUMENT NUMBER	TITLE	MATERIAL	PART NO. FOR MODULE
1.	SF0B001	FRAME	ALUMINIUM ALLOY	2IV125060001
2.	SF0B010	CASE FIXING BRACKET	GALVANIZED SHEET 10/10	6IV125060003 (SX) 6IV125060002 (DX)
3.		NUT SPACER M14	GALVANIZED IRON	
4.	SF0B008	LOADING SLIDE FIXING BRACKET	IRON SHEET 30/10	4282832
5.		BOLT M12X45	GALVANIZED STEEL	
6.	SF0B004	LATERAL FRAME CLOSURE	GALVANIZED SHEET 10/10	2IV125080014 (SX) 2IV125080004 (DX)
7.	SF0B005	SPRING FOR LATERAL CLOSURE COUPLIG	STAINLESS STEEL AISI301 5/10	4282798
8.	SF0B006	CASE CLOSURE	ABS	4100339 (SX) 4100338 (DX)
9.		KNURLED KNOB PZA0800		4331413
10.	SF0D031	UPRIGHT FOR SELF SERVICE GLASS		4081169
11.	SF0J007	FRONT SIDE WALL STOPPER	GALVANIZED SHEET 7/10	
12.		CHROMED STOPPER D.25 S.T.1	PVC	4333107



pastorfrigor^{spa}

Regione Gabannone, 4 – Zona Industriale
15030 TERRUGGIA (AL) ITALY
Tel. +39 0142 433711
Fax. +39 0142 433700