



TEKA

Cooker Hood User Manual (EN / ES / PT)

DVM 67370 TOS BK_WH / DVM 77370 TOS BK_WH /
DVM 97370 TOS BK

EN

Warning notices: Before using this product, please read this manual carefully and keep it for future reference. The design and specifications are subject to change without prior notice for product improvement. Consult with your dealer or manufacturer for details. The diagram above is just for reference. Please take the appearance of the actual product as the standard.

VR01

www.teka.com



Read this Manual

Dear Customer,

- Please carefully read this manual before using the Cooker Hood, it will help you to use and maintain the Cooker Hood properly.
- Keep it to refer to it at a later date.
- Pass it on to any subsequent owner of the appliance.

This manual contains sections on safety Instructions, Operating Instructions, Instalation Instructions and Troubleshooting Tips, etc.



Before Calling for Service

- To review the section on troubleshooting Tips will help you to solve some common problems by yourself.
- If you can not solve the problems by yourself, please ask for the help of professional technicians

NOTE:

- The manufacturer, following a policy of constant development and updating of the product, may make modifications without giving prior notice.
- This user manual shall also be got from the manufacturer or responsible vendor.
- "Keep the Warranty Certificate or the sheet of the technical data with the Instructions Handbook during the appliance life.it contains important technical data"if applicable or necessary

1) Safety Instructions.....	1
2) Specifications	4
3) Product Overview	5
4) Product Installation.....	7
5) Operation Instructions.....	11
6) Cleaning and Maintenance.....	12
7) Troubleshooting.....	14
8) Disposal and Recycling.....	15

SAFETY INSTRUCTIONS

Intended Use

The following safety guidelines are intended to prevent unforeseen risks or damage from unsafe or incorrect operation of the appliance. Please check the packaging and appliance on arrival to make sure everything is intact to ensure safe operation. If you find any damage, please contact the retailer or dealer. Please note modifications or alterations to the appliance are not allowed for your safety concern. Unintended use may cause hazards and loss of warranty claims.

Explanation of Symbols



Danger

This symbol indicates that there are dangers to the life and health of persons due to extremely flammable gas.



Warning of electrical voltage

This symbol indicates that there is a danger to life and health of persons due to voltage.



Warning

The signal word indicates a hazard with a medium level of risk which, if not avoided, may result in death or serious injury.



Caution

The signal word indicates a hazard with a low degree of risk which, if not avoided, may result in minor or moderate injury.



Attention

The signal word indicates important information (e.g. damage to property), but not danger.



Observe instructions

This symbol indicates that a service technician should only operate and maintain this appliance in accordance with the operating instructions.

Read these operating instructions carefully and attentively before using/commissioning the unit and keep them in the immediate vicinity of the installation site or unit for later use!



WARNING

- The instructions for Use apply to several versions of this appliance. Accordingly, you may find descriptions of individual features that do not apply to your specific appliance.
- This appliance is not intended for use by persons (including children) with reduced physical, sensory or mental capabilities, or lack of experience and knowledge, unless they have been given supervision or instruction concerning use of the appliance by a person responsible for their safety.
- Children should be supervised to ensure that they do not play with the appliance.
- This appliance can be used by children aged from 8 years and above and persons with reduced physical, sensory or mental capabilities or lack of experience and knowledge if they have been given supervision or instruction concerning use of the appliance in a safe way and understand the hazards involved. (EN 60335-1 & EN 60335-2-31)
- Children shall not play with the appliance. (EN 60335-1 & EN 60335-2-31)
- Cleaning and user maintenance shall not be made by children without supervision. (EN 60335-1 & EN 60335-2-31)
- If the supply cord is damaged, it must be replaced by the manufacturer or its service agent or a similarly qualified person in order to avoid a hazard.
- This appliance incorporates an earth connection for functional purposes only.
- There shall be adequate ventilation of the room when the range hood is used at the same time as appliances burning gas or other fuels (not applicable to appliances that only discharge the air back into the room).
- There is a fire risk if cleaning is not carried out in accordance with the instructions;
- Do not flame under the range hood.
- CAUTION: Accessible parts may become hot when used with cooking appliances.
- The air must not be discharged into a flue that is used for exhausting fumes from appliances burning gas or other fuels (not applicable to appliances that only discharge the air back into the room).
- The minimum distance between the supporting surface for the cooking vessels on the hob and the lowest part of the range hood. (When the range hood is located above a gas appliance, this distance shall be at least 65 cm. If the instructions for installation for the gas hob specify a greater distance, this has to be taken into account. The distance of 65cm can be reduced for non-combustible parts of range hoods, and parts operating at safety extra low voltage, provided these parts do not give access to live parts if deformed)
- Regulations concerning the discharge of air have to be fulfilled.
- The appliance uses 4 hob elements at most.
- The manufacturer will not be held liable for any damages resulting from incorrect or improper installation.
- Check that the mains voltage corresponds to that indicated on the rating plate fixed to the hood.
- For Class I appliances, check that the domestic power supply guarantees adequate earthing.
- Connect the extractor to the exhaust flue through a pipe of minimum diameter 120mm.

- This appliance is for indoor household use only.
- To protect against the risk of electrical shock, do not immerse the unit, cord or plug in water or other liquid.
- Please unplug before cleaning and maintenance the appliance .
- Use a soft cloth moisten with mild soap, and then use a dry cloth to wipe it again.
- The route of the flue must be as short as possible.
- The air must not be discharged into a flue that is used for exhausting fumes from appliances burning gas or other fuels (not applicable to appliances that only discharge the air back into the room).
- Need to allow the disconnection of the appliance from the mains supply after the installation, through an accessible plug or main switch.



CAUTION

- If the instructions for installation for the gas hob specify a greater distance specified above, this has to be taken into account.
- The extractor hood has been designed exclusively for domestic use to eliminate kitchen smells.
- Never use the hood for purposes other than for which it has been designed.
- Never leave high naked flames under the hood when it is in operation.
- Adjust the flame intensity to direct it onto the bottom of the pan only, making sure that it does not engulf the sides.
- Deep fat fryers must be continuously monitored during use: overheated oil can burst into flames.
- Extension sockets are forbidden.
- Please cut off the power before maintenance.
- This appliance has been designed for home use only, and may cause danger if used in special occasions.



ATTENTIION

- The cooker hood and its filter should be cleaned regularly according to the instruction.
- Switch off or unplug the appliance from the mains supply before carrying out any maintenance work.
- Clean the hood using a damp cloth and a neutral liquid detergent.

SPECIFICATIONS

Product Model	DVM 67370 TOS BK_WH / DVM 77370 TOS BK_WH / DVM 97370 TOS BK
Voltage	220V-240V~/50Hz
Rated Power	82 W
Lighting Power	1.0 W x 2
Motor Input Power	80 W
Diameter of air tube	150 mm
Air flow	650m ³ /h
Noise	≤ 59 dB(A)

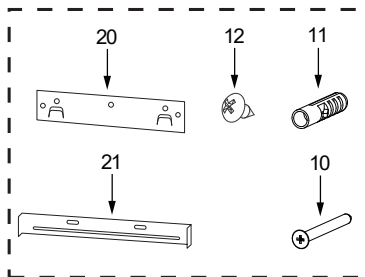
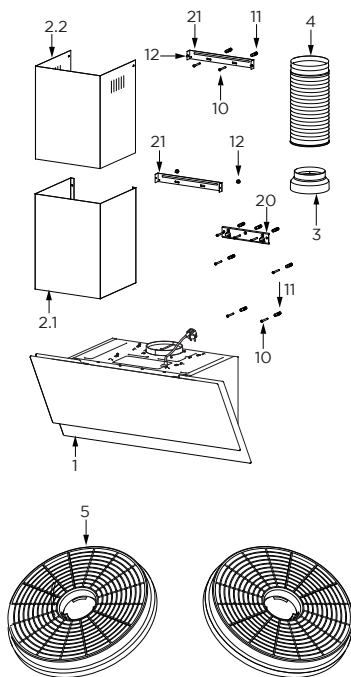
PRODUCT OVERVIEW

Components

Ref.	Qty.	Product Components
1	1	Hood Body, complete with: Controls, Light, Blower, Filter.
2.1	1	Lower Decorative Chimney (optional)
2.2	1	Upper Decorative Chimney (optional)
3	1	Flange (optional)
4	1	Exhaust Pipe (optional)
5	2	The Activated Charcoal filter (optional)

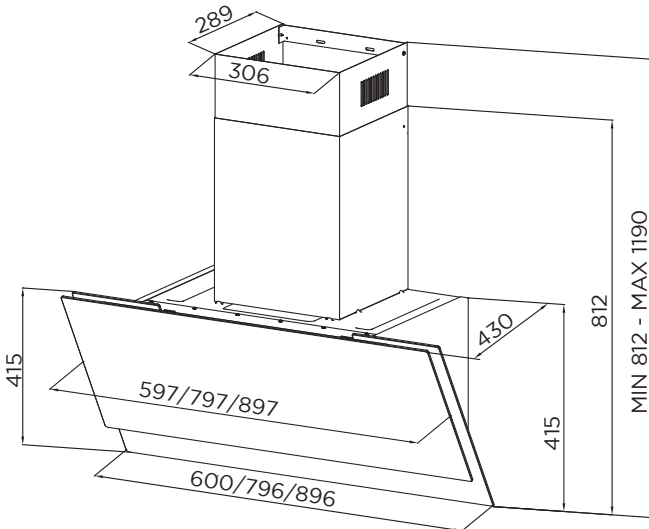
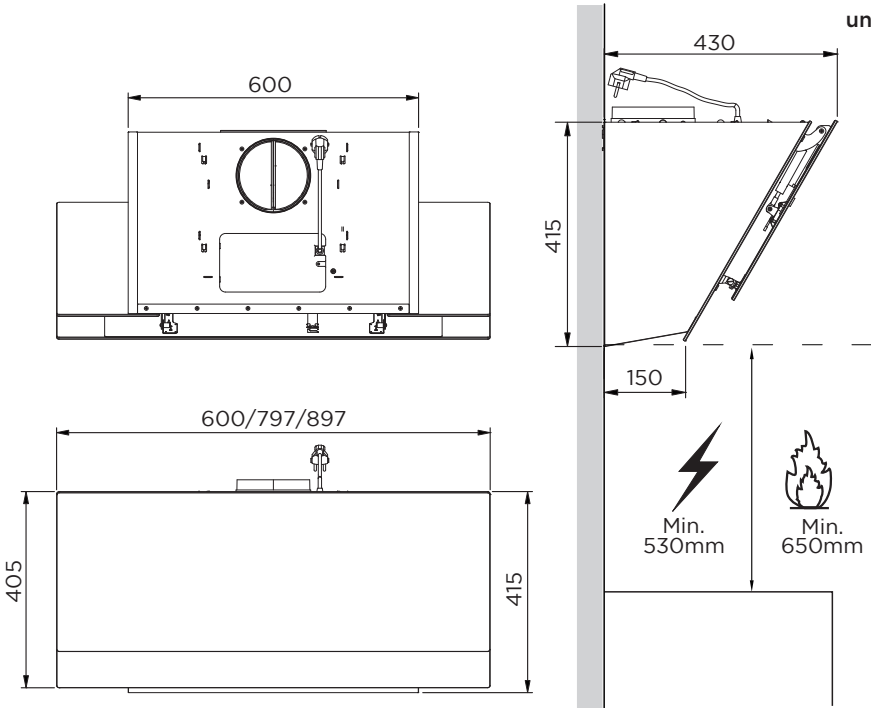
Ref.	Qty.	Optional Installation Components
10	7	Screws 5 x 50
11	7	Wall Plugs
12	6	Screws 4.2 x 9.5
20	1	Hood fixing bracket (optional)
21	2	Chimney fixing bracket (0 / 1 optional)

Qty.	Documentation
1	Instruction Manual



Dimensions

unit: mm

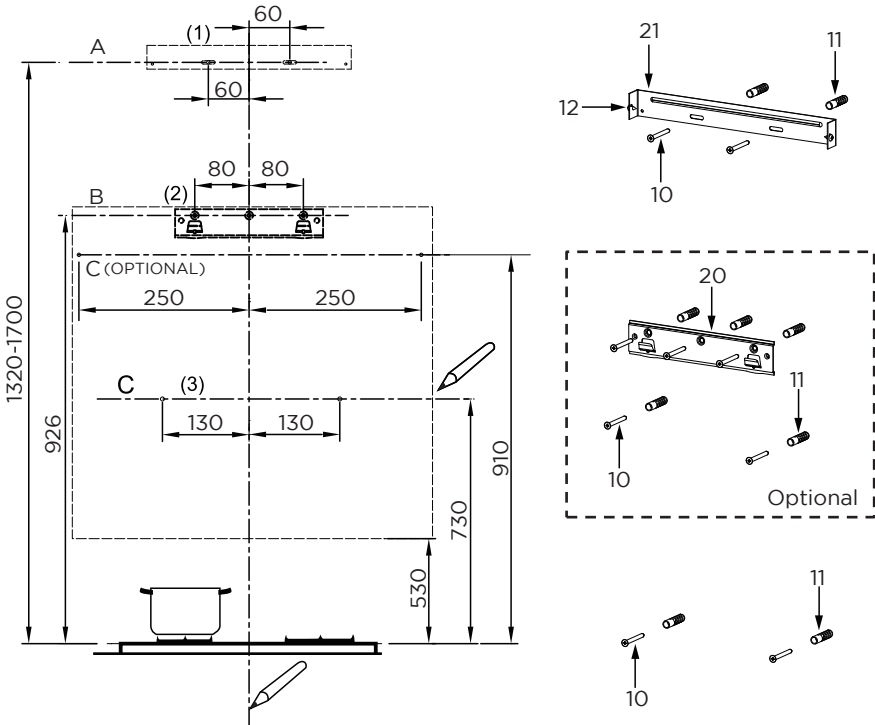


Information

The minimum distance between the supporting surface for the cooking vessels on the hob and the lowest part of the range hood. (When the range hood is located above a gas appliance, this distance shall be at least 65 cm. If the instructions for installation for the gas hob specify a greater distance, this has to be taken into account. The distance of 65cm can be reduced for non-combustible parts of range hoods, and parts operating at safety extra low voltage, provided these parts do not give access to live parts if deformed)

PRODUCT INSTALLATION

Wall Drilling And Bracket Fixing



As a first step, proceed with the following drawings:

- A vertical line up to the ceiling or up to the upper limit, at the center of the area in which the hood is to be fitted.
- A horizontal line A at 1320 - 1700 mm above the cooker top.
- A horizontal line B at a minimum 926 mm above the cooker top.
- A horizontal line C at a minimum 730 (910 optional) mm above the cooker top.

Mark Points:

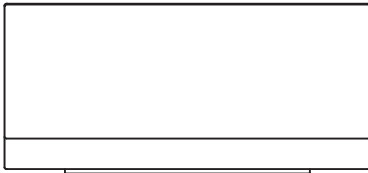
- Mark a point (1) on the horizontal line A, 60 mm to the right of the vertical reference line.
- Repeat this operation on the other side, checking that the two marks are leveled.
- Mark a point (2) on the horizontal line B, 80 mm to the right of the vertical reference line.
- Repeat this operation on the other side and on the vertical reference line, checking that the three marks are leveled.
- Mark a point (3) on the horizontal line C, 130 (250 optional) mm to the right of the vertical reference line.
- Repeat this operation on the other side, checking that the two marks are on the same horizontal line.

Fix the brackets (Optional):

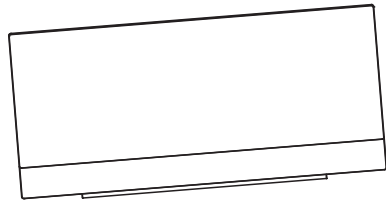
- Drill at the marked points (1) (2) (3), using a $\Phi 10$ mm drill bit.
- Insert the Wall Plugs 11 into the holes (1) (2) (3).
- Fix the hood fixing bracket 20 with 3 screws 10 (5 x 50) supplied with the hood.
- Fix a Chimney fixing bracket 21 with 2 screws 10 (5 x 50) supplied with the hood.

Hook The Hood Body

- Open the panel.
- Remove the Metal grease filter using the handles provided.
- Hook the hood body to the bracket 20.
- Level the hood body itself.



Right



Wrong

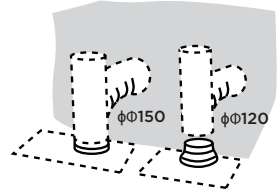
- From the inside of the hood body, fix the screws 10 to Wall Plugs 11 at the points (3).
- Fit the filter into the hood.
- Close the panel.

Connections

Ducted Version Air Exhaust System

When installing the ducted version, connect the hood to the chimney using either a flexible or rigid pipe $\Phi 150$ or $\Phi 120$ mm, the choice of which is left to the installer.

- To install a $\Phi 120$ mm air exhaust connection, insert the reducer flange 3 on the hood body outlet.
- Fix the pipe 4 in position using sufficient pipe clamps (not supplied).
- Remove possible charcoal filters.

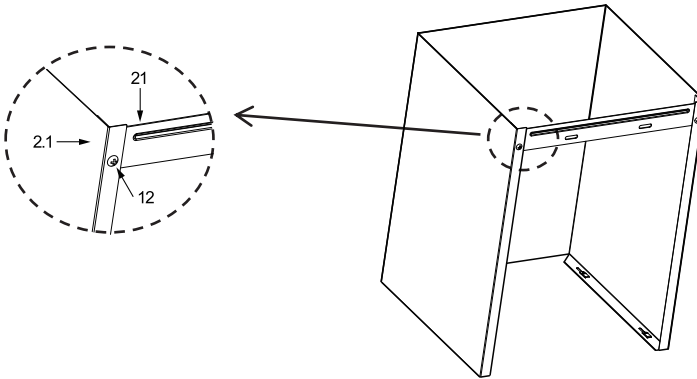


CHIMNEY ASSEMBLY

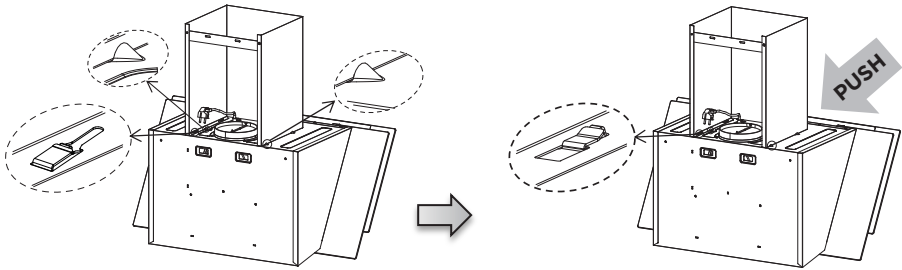
The chimney can only be installed with exhausting hood.

Lower Decorative Chimney

- Fix a Chimney fixing bracket 21 onto the Lower Decorative Chimney with 2 screws 12(4.2 x 9.5) supplied with the hood.

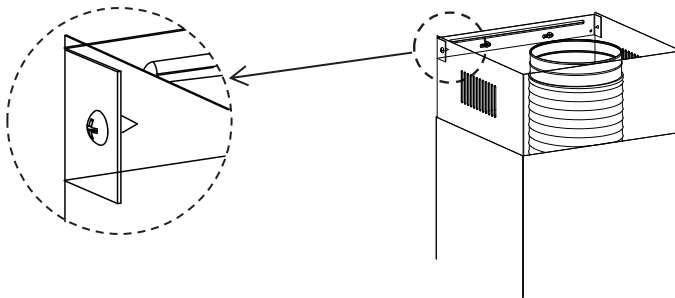


- Slightly widen the two sides of the flue and hook them onto the hood body, making sure that they are well seated.



Upper Decorative Chimney

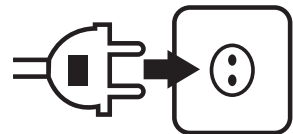
- Slightly widen the two sides of the upper chimney and hook them between the wall and the bracket 21 which is fixed on the Lower Decorative Chimney.
- Fix the upper chimney onto the bracket 21 with 2 screws 12 (4.2 x 9.5) supplied with the hood.



Electrical connection

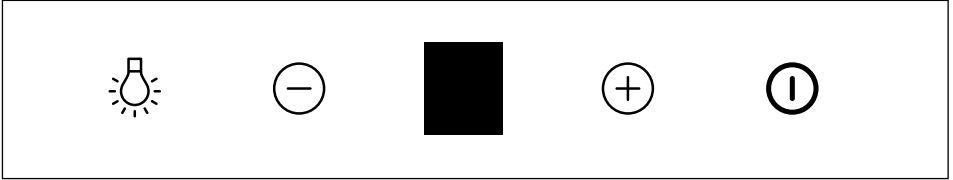
We recommend that the appliance is connected by a qualified electrician, who is a member of the N.I.C.E.E.I.C. and who will comply with the I.E.E. and local regulations. Should the color of the wires in the mains lead for the appliance not correspond with the colored markings identifying the terminal in your spur box proceed as follows;













- The wire which is colored blue must be connected to the marked N (neutral) or colored black.
- The wire which is colored brow must be connected to the marked L (live) or colored red.



OPERATION INSTRUCTIONS

Speed Adjustment. See Below Fig(For Some Models)



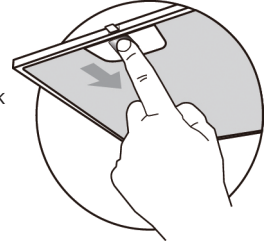
Button	Function	Remarks
	Turns the lighting system on or off.	Button on.
	Decrease the motor speed.	When  +  are on.
	Display fan gear "1、 2、 3".	When the fan is running.
	Increase the motor speed.	When  +  are on.
	Turn the Motor ON.	When  is off.
	Automatic shutdown after 3 minutes.	When  is on.
	Turn the Motor OFF.	When  is flashing.

CLEANING AND MAINTENANCE

Grease Filters

CLEANING METAL SELF-SUPPORTING GREASE FILTERS

- The filters must be cleaned every 2 months of operation, or more frequently for particularly heavy usage, and can be washed in a dishwasher.
- Pull the comfort panels to open them.
- Remove the filters one by one pushing them towards the back side of the hood unit and simultaneously pulling downwards.
- Any kind of bending of the filters has to be avoided when washing them. Before fitting them again into the hood make sure that they are completely dry. (The color of the filter surface may change throughout the time but this has no influence to the filter efficiency).
- When fitting the filters into the hood pay attention that they are mounted in correct position the handle facing outwards.
- Close the comfort panel.

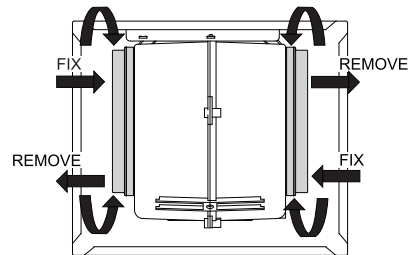


Activated Charcoal Filter (Recirculation Version)

- These filters are not washable and cannot be regenerated, and must be replaced approximately every 4 months of operation, or more frequently with heavy usage.

Replacing The Activated Charcoal Filter


- Open the comfort panels pulling them downwards.
- Remove the metal grease filters.
- Remove the saturated activated charcoal filter.
- Fit the new filters.
- Replace the metal grease filters.
- Close the comfort panel.

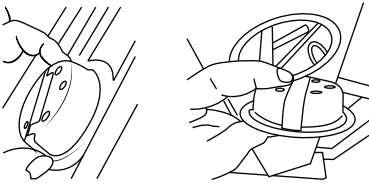


Lighting

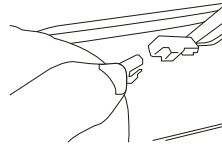
LIGHT REPLACEMENT

- Switch off the extractor hood and isolate the extractor hood by pulling out the mains plug or switching off the fuse.
- Remove the grease filter.
- Remove the light by levering its fitting from the hood body (this may require pressure or force to be applied).

	Max Power	Voltage	Picture	Lamp Cap	ILCOS D code
LED modules separate ballast	1.0W	DC 12 V	 Round/Diameter:70mm	--	DSR-1.0-S-70



- Disconnect the connector of the light.
- Replace the light with a new one of the same type, making sure that you connect the light with the light cable correctly.
- Reinstall the light back to the hood body.



TROUBLESHOOTING

Problem	Possible reason	Solution
Light on, but motor does not work	• The blades are blocked.	Check the blades
	• The capacitor is damaged.	Replace capacitor.
	• The motor is damaged.	Replace motor.
	• The internal wiring of motor is cut off/disconnected. An unpleasant smell may be produced.	Replace motor.
Both light and motor do not work	Apart from the above mentioned, check the following:	
	• Light damaged.	Replace lights.
	• Power cord loose.	Connect the wires as the electric diagram.
Oil leakage	• Outlet and the air ventilation entrance are not tightly sealed.	Take down the outlet and seal with glue.
Vibration	• The blade, if damaged, can cause vibrating.	Replace the blade.
	• The motor is not tightly fastened.	Fasten the motor tightly.
	• The cooker hood is not tightly fixed.	Fixed the cooker hood tightly.
Insufficient suction	• The distance between the cooker hood and the cooker top is too large.	Readjust the distance.
	• Too much ventilation from open doors or windows.	Choose a new place to install the appliance or close some doors / windows.
The machine inclines	• The fixing screws are not tight enough.	Tighten the fixing screw and make it horizontal.
	• The hanging screws are not tight enough	Tighten the hanging screw and make it horizontal.

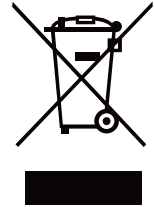
DISPOSAL AND RECYCLING

Important instructions for environment

Compliance with the WEEE Directive and Disposing of the Waster Product:

This product complies with EU WEEE Directive (2012/19/EU). This product bears a classification symbol for waster electrical and electronic equipment (WEEE).

This symbol indicates that this product shall not be disposed with other household wastes at the end of its service life. Used device must be returned to official collection point for recycling of electrical electronic devices. To find these collection systems please contact to your local authorities or retailer where the product was purchased. Each household performs important role in recovering and recycling of old appliance. Appropriate disposal of used appliance helps prevent potential negative consequences for the environment and human health.



Compliance with RoHS Directive

The product you have purchased complies with EU RoHS Directive (2011/65/EU). It does not contain harmful and prohibited materials specified in the Directive.

Package information

Packaging materials of the product are manufactured from recyclable materials in accordance with our National Environment Regulations. Do not dispose of the packaging materials together with the domestic or other wastes. Take them to the packaging material collection points designated by the local authorities.



Technical information

Electrical Characteristics:

Refer to ranting plate

This appliance has been designed, tested and manufactured according to:

- Safety: EN/IEC 60335-1; EN/IEC 60335-2-31, EN/IEC 62233
- Performance: en/iec 61591; ISO 5167-1; ISO 5167-3; ISO 5168; EN/IEC 60704-1; EN/IEC 60704-2-13; EN/IEC 60704-3; ISO 3741: EN 50564/EIC 62301
- EMC: EN 55014-1 / CISPR 14-1; EN 55014-2 / CISPR 14-2; EN/IEC 61000-3-2; EN/IEC 61000-3-3.

Saving Energy

This appliance is energy efficient but there are some tips on how to save even more energy:

- During cooking, ensure that there is a sufficient supply of air to enable the extractor hood to work efficiently and with a low level of operating noise.
- Adjust the fan speed to the amount of steam produced during cooking. Only use intensive mode when required. The lower the fan speed. The less energy is consumed.
- If cooking produces large amounts of steam, select the higher fan speed in good time. If the cooking steam has already spread around the kitchen, the extractor hood will need to be operated for longer thus consuming more energy.
- Switch off the extractor hood if you no longer require it.
- Switch off the lighting if you no longer require it.
- Clean and (required) replace the filter at regular intervals to increase the effectiveness of the ventilation system and to prevent the risk of fire.
- Put the lid on pans to reduce cooking steam and condensation.



www.teka.com

CAJO 17 39011- SANTANDER (SPAIN)



TEKA

Manual de usuario de la campana extractora (EN / ES / PT)
DVM 67370 TOS BK_WH / DVM 77370 TOS BK_WH /
DVM 97370 TOS BK

ES

Avisos de advertencia: Antes de utilizar este producto, lea atentamente este manual y consérvelo para futuras consultas.

El diseño y las especificaciones están sujetos a cambios sin previo aviso para mejorar el producto.

Consulte con su distribuidor o el fabricante para obtener más detalles.

El diagrama de arriba es solo para referencia. Tome la apariencia del producto real como estándar.



Lea este Manual

Estimado cliente,

- Lea atentamente este manual antes de utilizar la campana extractora, le ayudará a utilizarla y mantenerla adecuadamente.
- Guárdelo para consultarlo más adelante.
- Transmítaselo a cualquier propietario posterior del aparato.

Este manual contiene secciones sobre instrucciones de seguridad, instrucciones de funcionamiento, instrucciones de instalación y consejos para la solución de problemas, etc.



Antes de llamar al servicio técnico

- Revisar la sección sobre Consejos para la solución de problemas le ayudará a resolver algunos problemas comunes por sí mismo.
- Si no puede resolver los problemas por sí mismo, solicite la ayuda de técnicos profesionales.

NOTA:

- El fabricante, siguiendo una política de constante desarrollo y actualización del producto, podrá realizar modificaciones sin previo aviso.
- Este manual de usuario también deberá obtenerse del fabricante o del proveedor responsable.
- "Conserve el Certificado de Garantía o la hoja de datos técnicos junto con el Manual de Instrucciones durante la vida útil del electrodoméstico. Contiene información técnica importante" si es aplicable o necesario.

1) Instrucciones de seguridad	1
2) Especificaciones	4
3) Descripción general del producto	5
4) Instalación del producto	7
5) Instrucciones de funcionamiento	11
6) Limpieza Y Mantenimiento	12
7) Solución de problemas	14
8) Eliminación Y Reciclaje	15

INSTRUCCIONES DE SEGURIDAD

Uso previsto

Las siguientes directrices de seguridad tienen como objetivo evitar riesgos imprevistos o daños derivados del funcionamiento inseguro o incorrecto del aparato. Por favor, revise el embalaje y el aparato al recibirlo para asegurarse de que todo esté intacto para garantizar un funcionamiento seguro. Si encuentra algún daño, comuníquese con el minorista o distribuidor. Tenga en cuenta que no se permiten modificaciones ni alteraciones al aparato por su seguridad. El uso no previsto puede ocasionar riesgos y pérdida de reclamaciones de garantía.

Explicación de los símbolos



Peligro

Este símbolo indica que existen peligros para la vida y la salud de las personas debido a gases extremadamente inflamables.



Advertencia de voltaje eléctrico

Este símbolo indica que existe peligro para la vida y la salud de las personas debido al voltaje.



Advertencia

La palabra clave indica un peligro con un nivel de riesgo medio que, si no se evita, puede provocar la muerte o lesiones graves.



Precaución

La palabra clave indica un peligro con un grado bajo de riesgo que, si no se evita, puede provocar lesiones leves o moderadas.



Atención

Esta palabra clave indica información importante (por ejemplo, daños a la propiedad), pero no peligro.



Observar instrucciones

Este símbolo indica que un técnico de servicio solo debe operar y mantener este aparato de acuerdo con las instrucciones de funcionamiento.

¡Lea estas instrucciones de funcionamiento cuidadosamente y con atención antes de usar/poner en marcha la unidad y manténgalas en las inmediaciones del sitio de instalación o unidad para su uso posterior!



ADVERTENCIA

- Las instrucciones de uso se aplican a varias versiones de este aparato. En consecuencia, es posible que encuentre descripciones de características individuales que no se apliquen a su dispositivo específico.
- Este aparato no está diseñado para ser utilizado por personas (incluidos niños) con capacidades físicas, sensoriales o mentales reducidas, o con falta de experiencia y conocimientos, a menos que hayan recibido supervisión o instrucciones sobre el uso del aparato por parte de una persona responsable de su seguridad.
- Se debe supervisar a los niños para garantizar que no jueguen con el aparato.
- Este aparato puede ser utilizado por niños mayores de 8 años y personas con capacidades físicas, sensoriales o mentales reducidas o con falta de experiencia y conocimientos, si están bajo supervisión o han recibido instrucciones sobre el uso del aparato de forma segura y comprenden los peligros que conlleva. (EN 60335-1 y EN 60335-2-31)
- Los niños no deben jugar con el aparato. (EN 60335-1 y EN 60335-2-31)
- La limpieza y el mantenimiento por parte del usuario no deben ser realizados por niños sin supervisión. (EN 60335-1 y EN 60335-2-31)
- Si el cable de alimentación está dañado, debe ser reemplazado por el fabricante, su agente de servicio o personas igualmente calificadas para evitar un peligro.
- Este aparato incorpora una conexión a tierra únicamente para fines funcionales.
- Debe existir una ventilación adecuada de la habitación cuando se utilice la campana extractora al mismo tiempo que aparatos que queman gas u otros combustibles (no aplica a los electrodomésticos que solo descargan el aire de regreso a la habitación).
- Existe riesgo de incendio si la limpieza no se realiza conforme a las instrucciones;
- No flambee debajo de la campana extractora;
- PRECAUCIÓN: Las partes accesibles pueden calentarse cuando se utilizan con aparatos de cocina.
- El aire no debe descargarse en un conducto de humos que se utilice para extraer humos de aparatos que queman gas u otros combustibles (no aplica a los electrodomésticos que solo descargan el aire de regreso a la habitación).
- La distancia mínima entre la superficie de apoyo de los recipientes de cocción sobre la placa de cocción y la parte más baja de la campana extractora. (Cuando la campana extractora se encuentre encima de un aparato a gas, esta distancia deberá ser de al menos 65 cm. Si las instrucciones de instalación de la encimera a gas especifican una distancia mayor, deberá tenerse en cuenta. La distancia de 65 cm se puede reducir para las partes no combustibles de las campanas extractoras y las partes que funcionan a voltaje extra bajo de seguridad, siempre que estas partes no den acceso a partes activas si se deforman)
- Se deberán cumplir las normas sobre descarga de aire.
- El aparato utiliza un máximo de 4 elementos de cocción.
- El fabricante no será responsable de ningún daño resultante de una instalación incorrecta o inadecuada.
- Compruebe que la tensión de red corresponde a la indicada en la placa de características fijada en la campana.
- Para los aparatos de Clase I, compruebe que el suministro eléctrico doméstico garantice una conexión a tierra adecuada.
- Conecte el extractor a la salida de humos mediante un tubo de diámetro mínimo 120mm.

- Este aparato es solo para uso doméstico en interiores.
- Para protegerse contra el riesgo de descarga eléctrica, no sumerja la unidad, el cable ni el enchufe en agua ni en ningún otro líquido.
- Desenchufe el aparato antes de limpiarlo o realizarle mantenimiento.
- Utilice un paño suave humedecido con jabón suave y luego utilice un paño seco para limpiarlo nuevamente.
- El recorrido del conducto de humos deberá ser lo más corto posible.
- El aire no debe descargarse en un conducto de humos que se utilice para extraer humos de aparatos que queman gas u otros combustibles (no aplica a los electrodomésticos que solo descargan el aire de regreso a la habitación).
- Es necesario permitir la desconexión del electrodoméstico de la red eléctrica después de la instalación, mediante un enchufe accesible o un interruptor principal.



PRECAUCIÓN

- Si las instrucciones de instalación de la placa de gas especifican una distancia mayor a la indicada anteriormente, deberá tenerlo en cuenta.
- La campana extractora ha sido diseñada exclusivamente para uso doméstico para eliminar los olores de la cocina.
- Nunca utilice la campana para fines distintos de aquellos para los que ha sido diseñada.
- Nunca deje llamas altas debajo de la campana cuando esté en funcionamiento.
- Ajuste la intensidad de la llama para dirigirla únicamente al fondo de la sartén, asegurándose de que no inunde los lados.
- Las freidoras deben vigilarse continuamente durante su uso: el aceite sobrecalentado puede incendiarse.
- Los enchufes alargadores están prohibidos.
- Corte la energía antes de realizar mantenimiento.
- Este aparato ha sido diseñado únicamente para uso doméstico y puede provocar peligros si se utiliza en ocasiones especiales.



ATENCIÓN

- La campana extractora y su filtro deben limpiarse periódicamente según las instrucciones.
- Apague o desenchufe el aparato de la red eléctrica antes de realizar cualquier trabajo de mantenimiento.
- Limpie la campana utilizando un paño húmedo y un detergente líquido neutro.

ESPECIFICACIONES

Modelo del producto	DVM 67370 TOS BK_WH / DVM 77370 TOS BK_WH / DVM 97370 TOS BK
Voltaje	220V-240V~/50Hz
Potencia nominal	82 W
Poder de iluminación	1.0 W x 2
Potencia de entrada del motor	80 W
Diámetro del tubo de aire	150 mm
Flujo de aire	650m ³ /h
Ruido	≤ 59 dB(A)

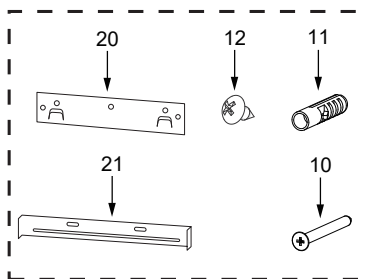
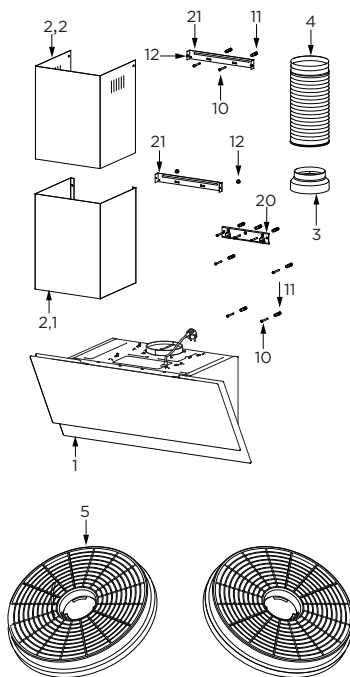
DESCRIPCIÓN GENERAL DEL PRODUCTO

Componentes

Referencia	Cantidad.	Componentes del producto
1	1	Carrocería con capota, completa con: Controles, luz, soplador, filtro.
2,1	1	Tubo decorativo inferior (opcional)
2,2	1	Tubo decorativo superior (opcional)
3	1	Brida (opcional)
4	1	Tubo de escape (opcional)
5	2	El filtro de carbón activado (opcional)

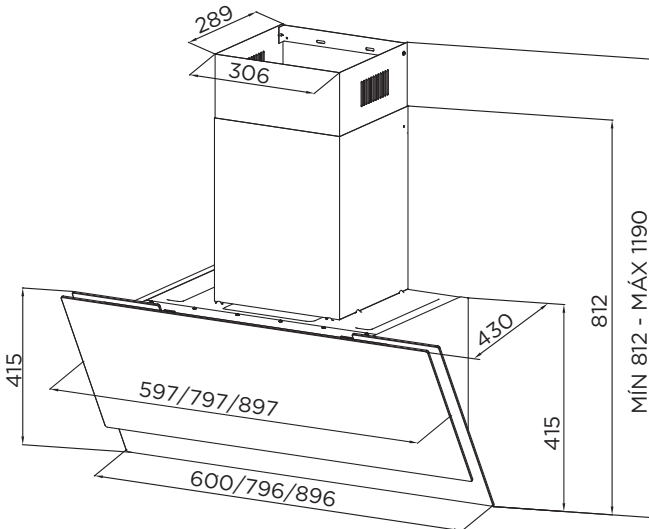
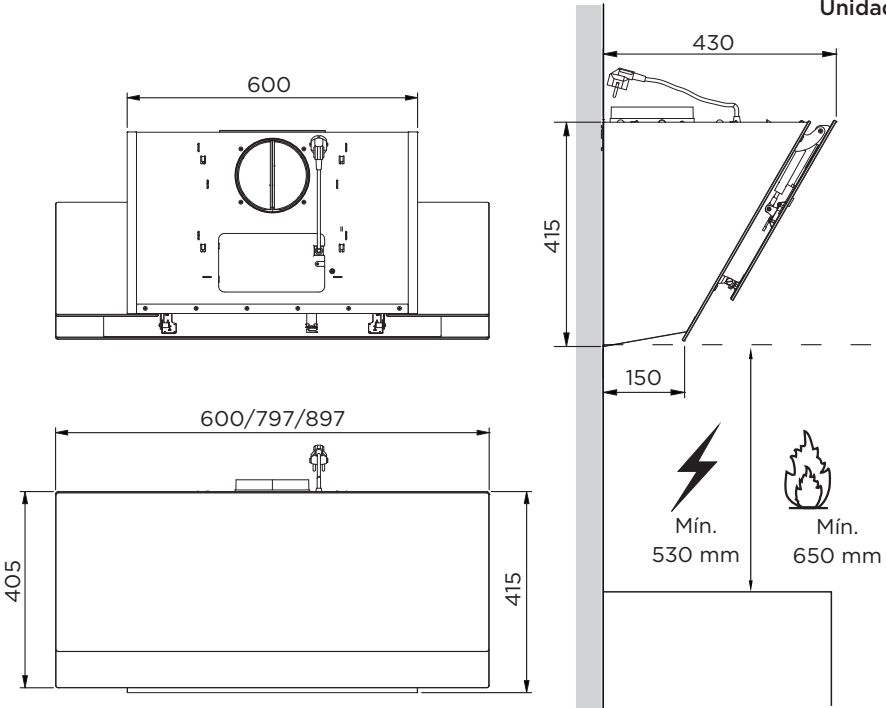
Referencia	Cantidad.	Componentes de instalación opcionales
10	7	Tornillos 5 x 50
11	7	Tacos de Pared
12	6	Tornillos 4,2 x 9,5
20	1	Soporte de fijación para campana (opcional)
21	2	Soporte de fijación para campana extractora (0/1 opcional)

Cantidad.	Documentación
1	Manual de instrucciones



Dimensiones

Unidad: mm

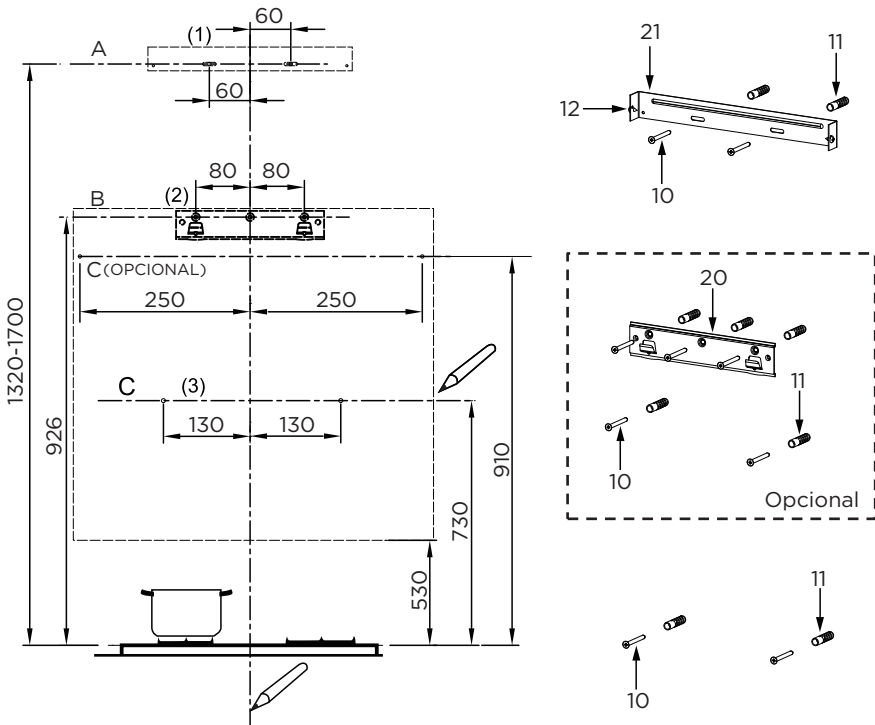


Información

La distancia mínima entre la superficie de apoyo para los recipientes de cocina en la placa y la parte más baja de la campana extractora. (Cuando la campana extractora se encuentra por encima de un aparato de gas, esta distancia debe ser de al menos 65 cm. Si las instrucciones de instalación de la placa de gas especifican una distancia mayor, esta debe ser tomada en cuenta. La distancia de 65 cm puede reducirse para las partes no combustibles de las campanas extractoras y las partes que operan con voltaje extra bajo de seguridad, siempre que estas partes no den acceso a partes activas en caso de deformación).

INSTALACIÓN DEL PRODUCTO

Perforación de pared y fijación de soportes



Como primer paso, proceda con los siguientes dibujos:

- Una línea vertical hasta el techo o hasta el límite superior, en el centro del área en el que se instalará la campana.
- Una línea horizontal A a 1320 - 1700 mm por encima de la superficie de la placa.
- Una línea horizontal B como mínimo a 926 mm por encima de la superficie de la placa.
- Una línea horizontal C situada como mínimo a 730 mm (910 mm opcional) por encima de la superficie de la placa.

Puntos de marca:

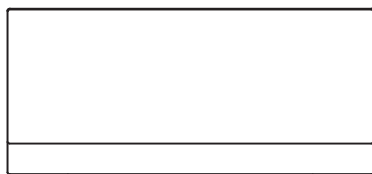
- Marque un punto (1) en la línea horizontal A, 60 mm a la derecha de la línea de referencia vertical.
- Repita esta operación en el otro lado, comprobando que las dos marcas estén niveladas.
- Marque un punto (2) en la línea horizontal B, 80 mm a la derecha de la línea de referencia vertical.
- Repita esta operación en el otro lado y sobre la línea de referencia vertical, comprobando que las tres marcas estén niveladas.
- Marque un punto (3) en la línea horizontal C, 130 mm (250 mm opcional) a la derecha de la línea de referencia vertical.
- Repita esta operación en el otro lado, comprobando que las dos marcas estén en la misma línea horizontal.

Fijar los corchetes (Opcional):

- Perfore en los puntos marcados (1) (2) (3), utilizando una broca de $\Phi 10$ mm.
- Inserte los tacos de pared 11 en los orificios (1) (2) (3).
- Fijar el soporte de montaje de la campana 20 con 3 tornillos 10 (5 x 50) suministrados con la campana.
- Fijar un soporte de chimenea 21 con 2 tornillos 10 (5 x 50) suministrados con la campana.

Enganche el cuerpo del capó

- Abra el panel.
- Retire el filtro de grasa metálico utilizando las asas proporcionadas.
- Enganche el cuerpo de la campana al soporte 20.
- Nivele el cuerpo del capó.



Correcto



Equivocado

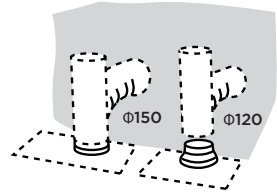
- Del cuerpo de la campana, fije los tornillos 10 a los tacos 11 en los puntos (3).
- Instale el filtro en la campana.
- Cierre el panel.

Conexiones

Versión Por Conductos Sistema De Extracción De Aire

En caso de instalación en versión canalizada, conectar la campana a la chimenea mediante un tubo flexible o rígido de $\Phi 150$ o $\Phi 120$ mm, cuya elección queda a criterio del instalador.

- Para instalar una conexión de extracción de aire de $\Phi 120$ mm, inserte la brida reductora 3 en la salida de la campana extractora.
- Fije el tubo 4 en su posición utilizando suficientes abrazaderas (no suministradas).
- Retire los posibles filtros de carbón.

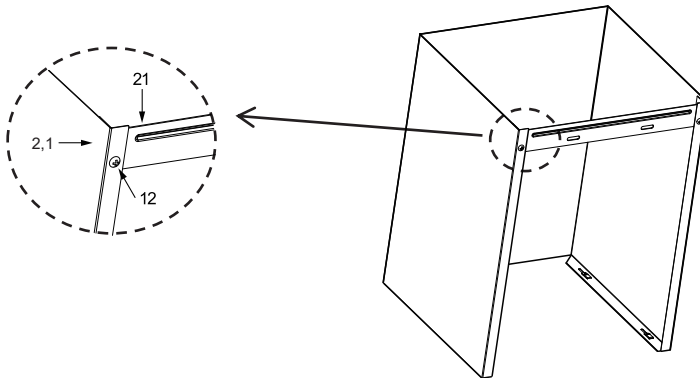


CONJUNTO DE CAMPANA

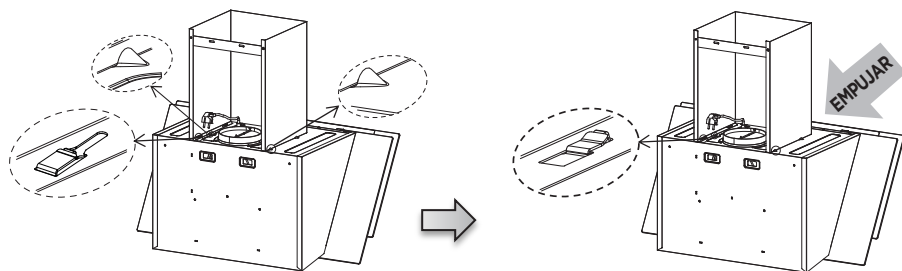
La campana solo puede instalarse con el conducto de extracción.

Chimenea decorativa inferior

- Fije un soporte de chimenea 21 en la chimenea decorativa inferior con 2 tornillos 12 (4,2 x 9,5) incluidos con la campana extractora.

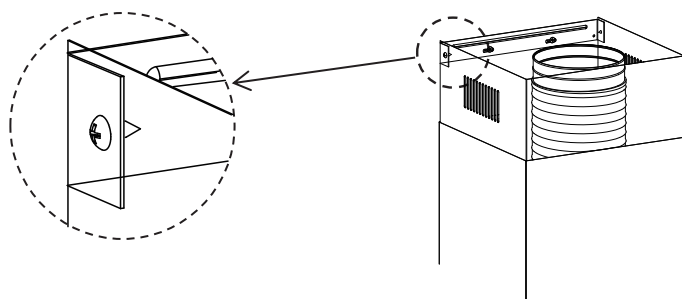


- Ensanche ligeramente los laterales del conducto de humos y engánchelos al cuerpo de la campana, asegurándose de que quedan correctamente asentados.



Chimenea decorativa superior

- Ligeramente ensanche los dos lados de la campana superior y engánchelos entre la pared y el soporte 21 que está fijado en la chimenea decorativa inferior.
- Fije la campana superior al soporte 21 con 2 tornillos 12 (4,2 x 9,5) suministrados con la campana extractora.

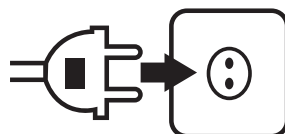


Conexión eléctrica

Recomendamos que el electrodoméstico sea conectado por un electricista calificado, que sea miembro de la N.I.C.E.E.I.C. y que cumpla con las normativas de la I.E.E. y las regulaciones locales.

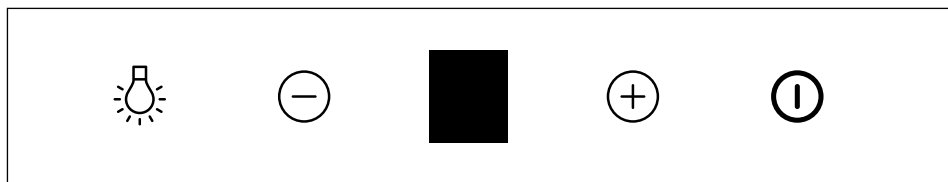
Si el color de los cables en el cable principal del electrodoméstico no corresponde con las marcas de colores que identifican los terminales en su caja de conexión, proceda de la siguiente manera:

- El cable de color azul debe conectarse al terminal marcado con N (neutro) o al de color negro.
- El cable de color marrón debe conectarse al terminal marcado con L (línea viva) o al de color rojo.



INSTRUCCIONES DE FUNCIONAMIENTO

Ajuste De Velocidad. Véase la figura a continuación (para algunos modelos).



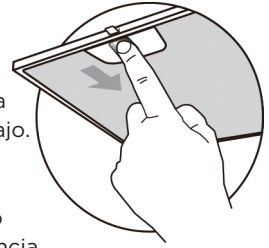
Botón	Función	Observaciones
	Activa o desactiva el sistema de iluminación.	Botón encendido.
	Reduzca la velocidad del motor.	Cuando ⊕+⊖ están encendidos.
	Mostrar velocidades del ventilador "1, 2, 3".	Cuando el ventilador está en funcionamiento.
	Aumente la velocidad del motor.	Cuando ⊕+⊕ están encendidos.
	Encienda el Motor.	Cuando ⊕ está apagado.
	Apagado automático tras 3 minutos.	Cuando ⊕ está encendido.
	Apague el Motor.	Cuando ⊕ parpadea.

LIMPIEZA Y MANTENIMIENTO

Filtros De Grasa

LIMPIEZA DE FILTROS DE GRASA AUTOPORTANTES METÁLICOS

- Los filtros deben limpiarse cada 2 meses de funcionamiento, o con mayor frecuencia si se utilizan de forma especialmente intensiva, y pueden lavarse en lavavajillas.
- Tire de los paneles de confort para abrirlos.
- Retire los filtros uno a uno empujándolos hacia la parte trasera de la unidad de campana y tirando simultáneamente hacia abajo.
- Al lavar los filtros se debe evitar cualquier tipo de curvatura. Antes de volver a colocarlos en la campana asegúrese de que estén completamente secos. (El color de la superficie del filtro puede cambiar con el tiempo, pero esto no influye en la eficiencia del filtro).
- Al colocar los filtros en la campana, prestar atención a que estén montados en la posición correcta, con el mango hacia afuera.
- Cierre el panel de confort.

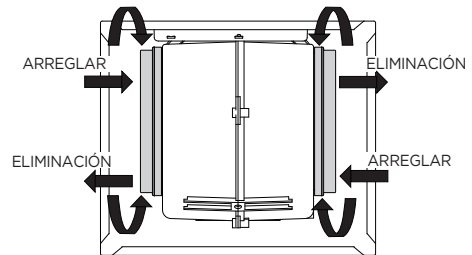


Filtro De Carbón Activado (Versión De Recirculación)

- Estos filtros no son lavables ni regenerables y deben reemplazarse aproximadamente cada 4 meses de funcionamiento o con mayor frecuencia si se utilizan de forma intensiva.

Sustitución Del Filtro De Carbón Activado


- Abra los paneles de confort tirando de ellos hacia abajo.
- Retire los filtros de grasa metálicos.
- Retire el filtro de carbón activado saturado.
- Coloque los nuevos filtros.
- Reemplace los filtros de grasa metálicos.
- Cierre el panel de confort.

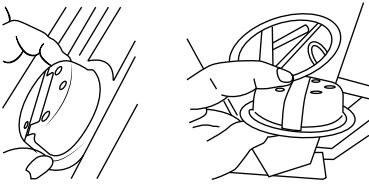


Iluminación

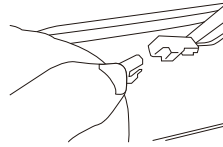
REEMPLAZO DE LUZ

- Apague la campana extractora y aislela desconectando el enchufe de la red eléctrica o apagando el fusible.
- Retire el filtro de grasa.
- Retire la luz haciendo palanca en su soporte desde el cuerpo de la campana (puede ser necesario aplicar presión o fuerza).

	Potencia Máxima	Voltaje	Imagen	Casquillo de la lámpara	Código D de ILCOS
Módulos LED, balasto separado	1,0 W	12 V CC	 Redondo/Diámetro: 70 mm	--	DSR-1,0-S-70



- Desconecte el conector de la luz.
- Reemplace la luz con una nueva del mismo tipo, asegurándose de conectar correctamente la luz con el cable de luz.
- Vuelva a instalar la luz en el cuerpo de la campana.



SOLUCIÓN DE PROBLEMAS

Problema	Posible razón	Solución
La luz está encendida, pero el motor no funciona	<ul style="list-style-type: none"> Las cuchillas están bloqueadas. 	Compruebe las cuchillas
	<ul style="list-style-type: none"> El condensador está dañado. 	Reemplace el condensador.
	<ul style="list-style-type: none"> El motor está dañado. 	Reemplace el motor.
	<ul style="list-style-type: none"> El cableado interno del motor está cortado/desconectado. Puede producirse un olor desagradable. 	Reemplace el motor.
Ni la luz ni el motor funcionan.	Además de lo mencionado anteriormente, verifique lo siguiente:	
	<ul style="list-style-type: none"> Luz dañada. 	Reemplace las luces.
	<ul style="list-style-type: none"> Cable de alimentación suelto. 	Conecte los cables según el diagrama eléctrico.
Fuga de aceite	<ul style="list-style-type: none"> La salida y la entrada de ventilación de aire no están herméticamente selladas. 	Retire la salida y séllela con pegamento.
Vibración	<ul style="list-style-type: none"> La cuchilla, si está dañada, puede provocar vibraciones. 	Reemplace la cuchilla.
	<ul style="list-style-type: none"> El motor no está bien fijado. 	Fije firmemente el motor.
	<ul style="list-style-type: none"> La campana extractora no está bien fijada. 	Fije firmemente la campana extractora.
Succión insuficiente	<ul style="list-style-type: none"> La distancia entre la campana extractora y la superficie de la cocina es demasiado grande. 	Reajuste la distancia.
	<ul style="list-style-type: none"> Demasiada ventilación desde puertas o ventanas abiertas. 	Elija un nuevo lugar para instalar el aparato o cierre algunas puertas/ventanas.
La máquina se inclina	<ul style="list-style-type: none"> Los tornillos de fijación no están lo suficientemente apretados. 	Apriete el tornillo de fijación y colóquelo en posición horizontal.
	<ul style="list-style-type: none"> Los tornillos de suspensión no están lo suficientemente apretados. 	Apriete el tornillo para colgarlo y colóquelo en posición horizontal.

ELIMINACIÓN Y RECICLAJE

Instrucciones importantes para el medio ambiente

Cumplimiento de la Directiva WEEE y eliminación del producto residual:

Este producto cumple con la Directiva WEEE de la EU (2012/19/EU). Este producto lleva un símbolo de clasificación de residuos de aparatos eléctricos y electrónicos (WEEE).

Este símbolo indica que este producto no debe desecharse con otros residuos domésticos al final de su vida útil. El dispositivo usado debe devolverse al punto de recogida oficial para el reciclaje de dispositivos eléctricos y electrónicos. Para encontrar estos sistemas de recolección, comuníquese con las autoridades locales o con el minorista donde adquirió el producto. Cada hogar desempeña un papel importante en la recuperación y reciclaje de electrodomésticos viejos. La eliminación adecuada de los aparatos usados ayuda a prevenir posibles consecuencias negativas para el medio ambiente y la salud humana.



Cumplimiento de la Directiva RoHS

El producto que ha adquirido cumple con la Directiva RoHS de la EU (2011/65/EU). No contiene materiales nocivos ni prohibidos especificados en la Directiva.

Información del paquete

Los materiales de embalaje del producto se fabrican a partir de materiales reciclables de acuerdo con nuestras Normas Ambientales Nacionales. No deseche los materiales de embalaje junto con los residuos domésticos o de otro tipo. Llévelos a los puntos de recogida de material de embalaje designados por las autoridades locales.



Información técnica

Características eléctricas:

Consulte la placa de clasificación.

Este electrodoméstico ha sido diseñado, probado y fabricado conforme a:

- Seguridad: EN/IEC 60335-1; EN/IEC 60335-2-31, EN/IEC 62233
- Rendimiento: EN/IEC 61591; ISO 5167-1; ISO 5167-3; ISO 5168; EN/IEC 60704-1; EN/IEC 60704-2-13; EN/IEC 60704-3; ISO 3741: EN 50564/IEC 62301
- EMC: EN 55014-1 / CISPR 14-1; EN 55014-2 / CISPR 14-2; EN/IEC 61000-3-2; EN/IEC 61000-3-3.

Ahorro de energía

Este electrodoméstico es eficiente en el consumo de energía, pero aquí hay algunos consejos para ahorrar aún más energía:

- Durante la cocción, asegúrate de que haya un suministro suficiente de aire para que la campana extractora funcione de manera eficiente y con un nivel bajo de ruido operativo.
- Ajusta la velocidad del ventilador según la cantidad de vapor producido durante la cocción. Utiliza el modo intensivo solo cuando sea necesario. Cuanto menor sea la velocidad del ventilador, menor será el consumo de energía.
- Si la cocción produce grandes cantidades de vapor, selecciona la velocidad más alta del ventilador con suficiente antelación. Si el vapor de la cocción ya se ha dispersado por la cocina, la campana extractora necesitará funcionar durante más tiempo, consumiendo así más energía.
- Apaga la campana extractora si ya no la necesitas.
- Apaga la iluminación si ya no la necesitas.
- Limpia y (si es necesario) reemplaza el filtro regularmente para aumentar la eficacia del sistema de ventilación y prevenir el riesgo de incendio.
- Coloca la tapa en las ollas para reducir el vapor de cocción y la condensación.



www.teka.com

CAJO 17 39011- SANTANDER (SPAIN)



TEKA

Manual do Usuário do Exaustor (EN / ES / PT)

DVM 67370 TOS BK_WH / DVM 77370 TOS BK_WH /
DVM 97370 TOS BK

PT

Avisos de advertência: Antes de usar este produto, leia atentamente este manual e guarde-o para futuras consultas. O design e as especificações estão sujeitos a alterações sem aviso prévio para melhoria do produto. Consulte o seu revendedor ou fabricante para obter mais detalhes. O diagrama acima é apenas para referência. Considere a aparência do produto real como padrão.



Leia este manual

Querido cliente,

- Leia atentamente este manual antes de utilizar o exaustor. Ele ajudará você a usá-lo e mantê-lo corretamente.
 - Guarde-o para consultar futuras.
 - Entregue-o qualquer futuro proprietário do aparelho.
- Este manual contém seções sobre instruções de segurança, instruções de operação, instruções de instalação e dicas de solução de problemas, entre outras.



Antes de solicitar o serviço

- Rever a seção Dicas de Resolução de Problemas ajudará você a resolver alguns problemas comuns sozinho.
- Se você não conseguir resolver os problemas sozinho, solicite a ajuda de técnicos profissionais.

NOTA:

- O fabricante, seguindo uma política de constante desenvolvimento e atualização do produto, poderá efetuar modificações sem aviso prévio.
- Este manual do usuário também pode ser obtido junto ao fabricante ou fornecedor responsável.
- "Conserve o Certificado de Garantia ou a folha de dados técnicos com o Manual de Instruções durante a vida útil do aparelho. Se aplicável ou necessário, contém informações técnicas importantes."

1) Instruções de segurança	1
2) Especificações	4
3) Visão geral do produto	5
4) Instalação do produto	7
5) Instruções de Utilização	11
6) Limpeza e Manutenção	12
7) Resolução de problemas.....	14
8) Eliminação e Reciclagem	15

INSTRUÇÕES DE SEGURANÇA

Utilização Prevista

As seguintes diretrizes de segurança têm como objetivo evitar riscos ou danos imprevistos decorrentes da operação insegura ou incorreta do aparelho. Verifique a embalagem e o aparelho ao recebê-los, para garantir que tudo esteja intacto e assegurar um funcionamento seguro. Se encontrar qualquer dano, entre em contato com o revendedor ou fornecedor. Observe que modificações ou alterações no aparelho não são permitidas por questões de segurança. O uso não intencional pode causar riscos e perda de direitos de garantia.

Explicação dos Símbolos



Perigo

Este símbolo indica que existem perigos para a vida e a saúde das pessoas devido ao gás extremamente inflamável.



Aviso de tensão elétrica

Este símbolo indica que há perigo à vida e à saúde das pessoas devido à voltagem.



Advertência

A palavra de sinalização indica um perigo com nível médio de risco que, se não for evitado, pode resultar em morte ou ferimentos graves.



Cuidado

A palavra-sinal indica um perigo com um baixo grau de risco que, se não for evitado, pode resultar em lesões ligeiras ou moderadas.



Atenção

A palavra de sinalização indica informação importante (por exemplo, danos à propriedade), mas não perigo.



Observe as instruções

Este símbolo indica que um técnico de serviço deve operar e fazer a manutenção deste aparelho somente de acordo com as instruções de operação.

Leia este manual de instruções com atenção e cuidado antes de utilizar/comissionar o aparelho e guarde-o nas imediações do local de instalação ou do aparelho para utilização posterior!

ADVERTÊNCIA

- As instruções de uso se aplicam a várias versões deste aparelho. Dessa forma, você pode encontrar descrições de recursos individuais que não se aplicam ao seu aparelho específico.
- Este aparelho não se destina a ser utilizado por pessoas (incluindo crianças) com capacidades físicas, sensoriais ou mentais reduzidas, ou com falta de experiência e conhecimentos, exceto se tiverem recebido supervisão ou instruções relativas à utilização do aparelho por uma pessoa responsável pela sua segurança.
- As crianças devem ser supervisionadas para garantir que não brincam com o aparelho.
- Este aparelho pode ser utilizado por crianças a partir dos 8 anos de idade e por pessoas com capacidades físicas, sensoriais ou mentais reduzidas ou com falta de experiência e conhecimento, desde que tenham recebido supervisão ou instruções sobre a utilização do aparelho de forma segura e compreendam os perigos envolvidos. (EN 60335-1 e EN 60335-2-31)
- As crianças não devem brincar com o aparelho. (EN 60335-1 e EN 60335-2-31)
- A limpeza e a manutenção não devem ser realizadas por crianças sem a devida supervisão. (EN 60335-1 e EN 60335-2-31)
- Se o cabo de alimentação estiver danificado, deverá ser substituído pelo fabricante ou pelo seu agente de assistência ou por uma pessoa igualmente qualificada para evitar perigos.
- Este aparelho incorpora uma conexão de aterramento apenas para fins funcionais.
- O ambiente deve estar adequadamente ventilado quando o exaustor for utilizado juntamente com aparelhos que queimam gás ou outros combustíveis (não se aplica a aparelhos que apenas recirculam o ar no ambiente).
- Existe risco de incêndio se a limpeza não for realizada de acordo com as instruções;
- Não acenda chamas sob o exaustor.
- CUIDADO: As peças acessíveis podem ficar quentes quando usadas com aparelhos de cozinha.
- O ar não deve ser descarregado em uma chaminé utilizada para exaustão de vapores de aparelhos que queimam gás ou outros combustíveis (não se aplica a aparelhos que apenas recirculam o ar no ambiente).
- A distância mínima entre a superfície de apoio das painéis no fogão e a parte inferior do exaustor. (Quando o exaustor estiver localizado acima de um aparelho a gás, esta distância deve ser de pelo menos 65 cm. Se as instruções de instalação do fogão a gás especificarem uma distância maior, isso deve ser levado em consideração. A distância de 65 cm pode ser reduzida para partes não combustíveis de coifas e peças que operam em tensão extra baixa de segurança, desde que essas peças não deem acesso a partes energizadas se deformadas)
- Devem ser cumpridas as normas relativas à exaustão de ar.
- O aparelho suporta no máximo 4 bocas de fogão.
- O fabricante não será responsabilizado por quaisquer danos resultantes de instalação incorreta ou imprópria.
- Verifique se a tensão da rede elétrica corresponde àquela indicada na placa de características fixada no exaustor.
- Para aparelhos de Classe I, verifique se a rede elétrica doméstica garante aterramento adequado.
- Conecte o extrator à conduta de exaustão através de um tubo de diâmetro mínimo de 120 mm.

- Este aparelho é somente para uso doméstico em ambientes internos.
- Para se proteger contra o risco de choque elétrico, não mergulhe a unidade, o cabo ou o plugue em água ou outro líquido.
- Desligue o aparelho da tomada antes de limpá-lo e fazer a manutenção.
- Use um pano macio umedecido com sabão neutro e depois use um pano seco para limpar novamente.
- O percurso da conduta de evacuação de fumos deve ser o mais curto possível.
- O ar não deve ser descarregado em uma chaminé utilizada para exaustão de vapores de aparelhos que queimam gás ou outros combustíveis (não se aplica a aparelhos que apenas recirculam o ar no ambiente).
- É necessário permitir a desconexão do aparelho da rede elétrica após a instalação, por meio de uma tomada acessível ou de um interruptor principal.



CUIDADO

- Se as instruções de instalação do fogão a gás especificarem uma distância maior que a mencionada acima, esta deve ser respeitada.
- O exaustor foi projetado exclusivamente para uso doméstico para eliminar odores da cozinha.
- Nunca utilize o exaustor para outros fins que não aqueles para os quais foi projetado.
- Nunca deixe chamas altas e expostas sob o exaustor enquanto ele estiver em funcionamento.
- Ajuste a intensidade da chama para que atinja apenas o fundo da panela, certificando-se de que não envolva as laterais.
- As fritadeiras devem ser monitoradas continuamente durante o uso, pois o óleo superaquecido pode pegar fogo.
- É proibido o uso de extensões elétricas.
- Desligue a energia antes da manutenção.
- Este aparelho foi projetado exclusivamente para uso doméstico e pode apresentar riscos se utilizado em condições especiais.



ATENÇÃO

- O exaustor e seu filtro devem ser limpos regularmente de acordo com as instruções.
- Desligue ou desconecte o aparelho da tomada antes de realizar qualquer trabalho de manutenção.
- Limpe o exaustor usando um pano úmido e detergente líquido neutro.

ESPECIFICAÇÕES

Modelo do Produto	DVM 67370 TOS BK_WH / DVM 77370 TOS BK_WH / DVM 97370 TOS BK
Tensão	220V-240V~/50Hz
Potência Nominal	82 W
Potência de iluminação	1.0 W x 2
Potência de entrada do motor	80 W
Diâmetro do tubo de ar	150 mm
Fluxo de ar	650m ³ /h
Ruído	≤ 59 dB(A)

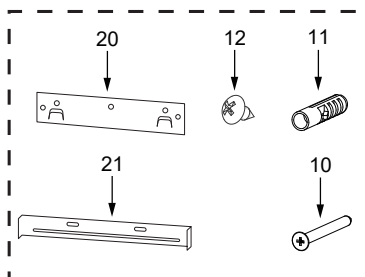
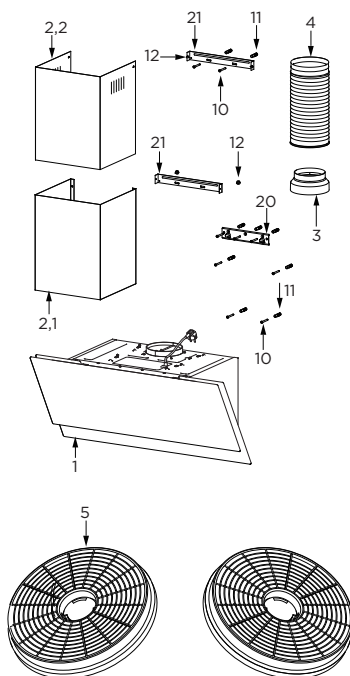
VISÃO GERAL DO PRODUTO

Componentes

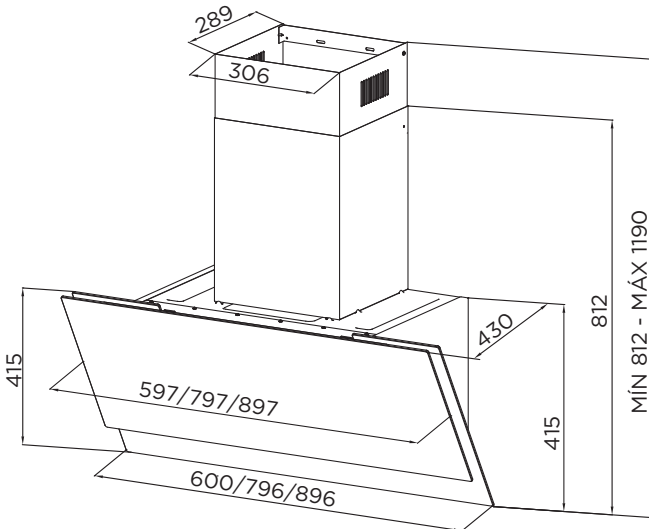
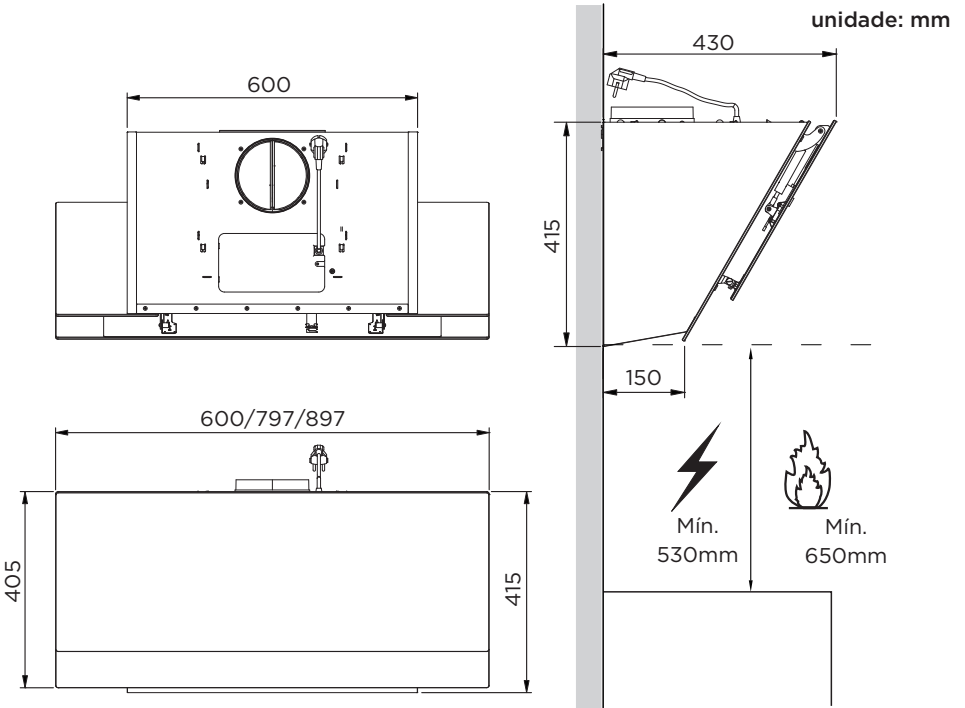
Ref.	Qtd.	Componentes do produto
1	1	Corpo do exaustor, completo com: Controles, Luz, Ventilador, Filtro.
2,1	1	Chaminé Decorativa Inferior (opcional)
2,2	1	Chaminé Decorativa Superior (opcional)
3	1	Flange (opcional)
4	1	Tubo de escape (opcional)
5	2	O filtro de carvão ativado (opcional)

Ref.	Qtd.	Componentes de instalação opcionais
10	7	Parafusos 5 x 50
11	7	Buchas de parede
12	6	Parafusos 4,2 x 9,5
20	1	Suporte de fixação do exaustor (opcional)
21	2	Suporte de fixação para chaminé (0 / 1 opcional)

Qtd.	Documentação
1	Manual de Instruções



Dimensões

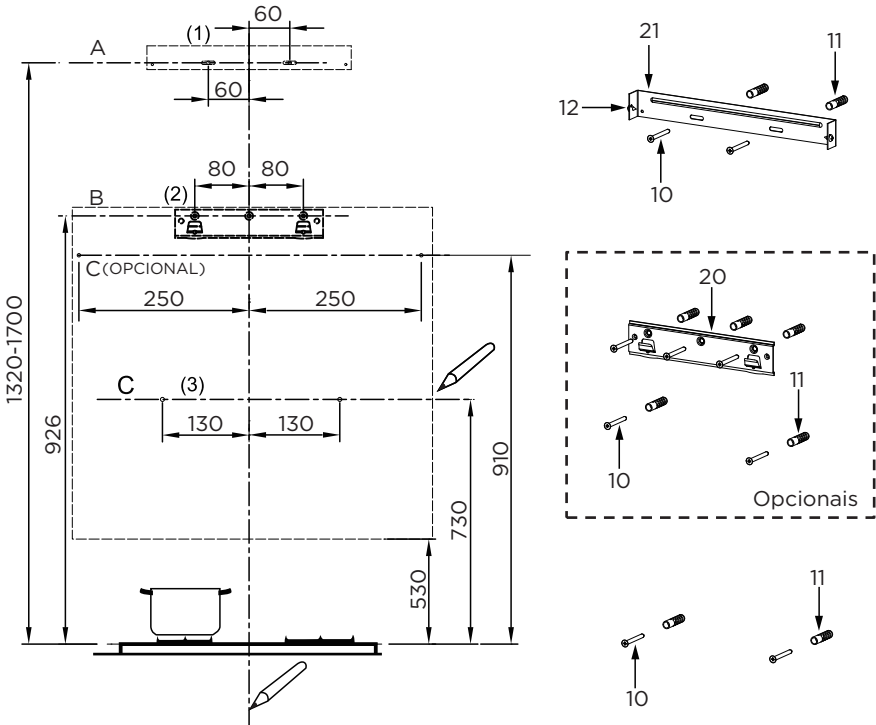


Informação

A distância mínima entre a superfície de apoio para os recipientes de cozimento no fogão e a parte mais baixa da coifa. (Quando a coifa estiver localizada acima de um aparelho a gás, essa distância deve ser de pelo menos 65 cm. Se as instruções de instalação do fogão a gás especificarem uma distância maior, esta deve ser levada em consideração. A distância de 65 cm pode ser reduzida para partes não combustíveis da coifa e partes que operam em baixa tensão de segurança, desde que essas partes não permitam acesso a partes energizadas em caso de deformação).

INSTALAÇÃO DO PRODUTO

Perfuração de parede e fixação de suporte



Como primeiro passo, prossiga com os seguintes desenhos:

- Alinhe até o teto ou até o limite superior, no centro da área onde o exaustor será instalado.
- Uma linha horizontal A a 1320 - 1700 mm acima do tampo do fogão.
- Uma linha horizontal B a um mínimo de 926 mm acima do tampo do fogão.
- Uma linha horizontal C a um mínimo de 730 mm (opcionalmente 910 mm) acima do tampo do fogão.

Pontos de marcação:

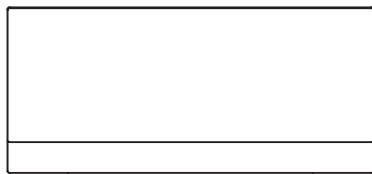
- Marque um ponto (1) na linha horizontal A, a 60 mm à direita da linha de referência vertical.
- Repita esta operação do outro lado, certificando-se de que as duas marcas estejam niveladas.
- Marque um ponto (2) na linha horizontal B, 80 mm à direita da linha de referência vertical.
- Repita esta operação do outro lado e na linha de referência vertical, certificando-se de que as três marcas estejam niveladas.
- Marque um ponto (3) na linha horizontal C, 130 mm (opcionalmente 250 mm) à direita da linha de referência vertical.
- Repita esta operação do outro lado, certificando-se de que as duas marcas estejam na mesma linha horizontal.

Fixe os suportes (Opcional):

- Perfure nos pontos marcados (1) (2) (3), utilizando uma broca de $\Phi 10$ mm.
- Insira as buchas de parede 11 nos orifícios (1) (2) (3).
- Fixe o suporte de fixação do exaustor 20 com 3 parafusos 10 (5 x 50) fornecidos com o exaustor.
- Fixe o suporte de chaminé 21 com 2 parafusos 10 (5 x 50) fornecidos com o exaustor.

Engate o corpo do capô.

- Abra o painel.
- Remova o filtro de gordura metálico utilizando as alças fornecidas.
- Engate o corpo do capô no suporte 20.
- Nivele corretamente o corpo do capô.



Certo



Errado

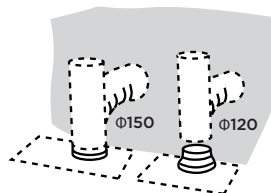
- De dentro do corpo do exaustor, fixe os parafusos 10 nas buchas 11 nos pontos (3).
- Encaixe o filtro no exaustor.
- Feche o painel.

Conexões

Sistema de Exaustão de Ar na versão com duto

Ao instalar a versão dutada, conecte o exaustor à chaminé usando um tubo flexível ou rígido de $\Phi 150$ ou $\Phi 120$ mm, cuja escolha fica a cargo do instalador.

- Para instalar uma ligação de exaustão de ar de $\Phi 120$ mm, insira o flange redutor 3 na saída do corpo do exaustor.
- Fixe o tubo 4 na posição usando braçadeiras de tubo suficientes (não fornecidas).
- Remova os filtros de carvão, se houver.

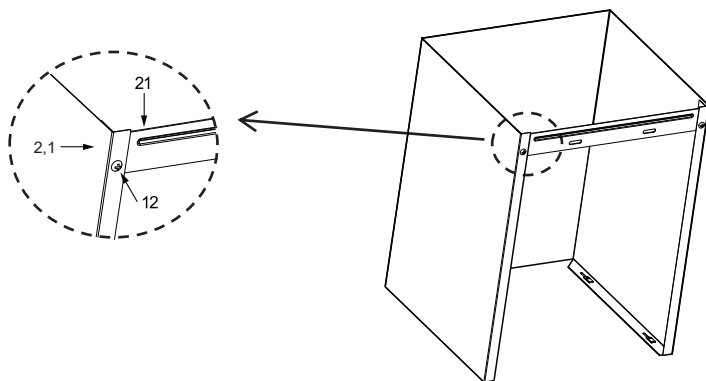


MONTAGEM DA CHAMINÉ

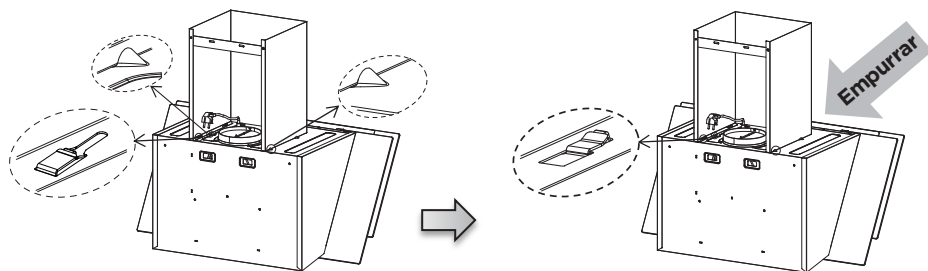
A chaminé só pode ser instalada com um exaustor.

Chaminé decorativa inferior

- Fixe o suporte de chaminé 21 na chaminé decorativa inferior com 2 parafusos 12 ($4,2 \times 9,5$) fornecidos com o exaustor.

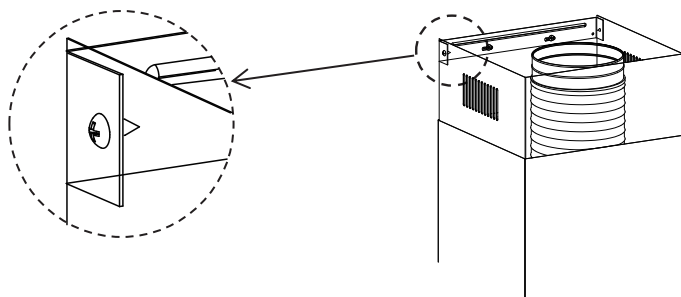


- Alargue ligeiramente os dois lados do duto de exaustão e encaixe-os no corpo do exaustor, certificando-se de que estão bem posicionados.



Chaminé Decorativa Superior

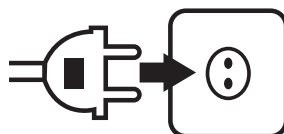
- Alargue ligeiramente os dois lados da chaminé superior e encaixe-os entre a parede e o suporte 21, que está fixado na chaminé decorativa inferior.
- Fixe a chaminé superior ao suporte 21 com 2 parafusos 12 (4,2 x 9,5) fornecidos com o exaustor.



Ligação elétrica

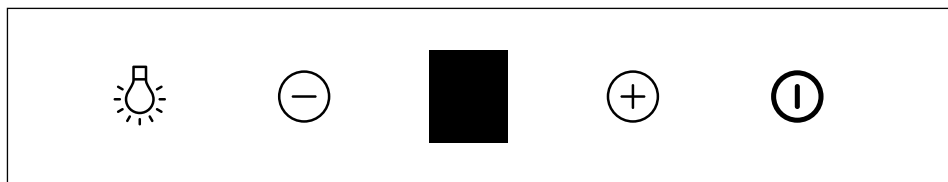
Recomendamos que o aparelho seja conectado por um electricista qualificado, que seja membro do N.I.C.E.E.I.C. e que cumpra com as normas do I.E.E. e os regulamentos locais. Caso a cor dos fios no cabo de alimentação do aparelho não corresponda às marcações coloridas que identificam os terminais na sua caixa de derivação, proceda da seguinte forma:

- O fio de cor azul deve ser conectado ao terminal marcado com N (neutro) ou de cor preta.
- O fio de cor marrom deve ser conectado ao terminal marcado com L (fase) ou de cor vermelha.



INSTRUÇÕES DE UTILIZAÇÃO

Ajuste de Velocidade. Ver figura abaixo (para alguns modelos)



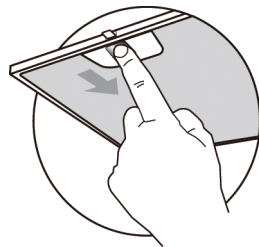
Botão	Função	Observações
	Liga ou desliga o sistema de iluminação.	Botão ativado.
	Reduza a velocidade do motor.	Quando + estão ativos.
	Mostra as velocidades do ventilador "1, 2, 3".	Quando o ventilador está em funcionamento.
	Aumente a velocidade do motor.	Quando + estão ativos.
	Ligue o Motor.	Quando está desligado.
	Desligamento automático após 3 minutos.	Quando está ligado.
	Desligue o Motor.	Quando está a piscar.

LIMPEZA E MANUTENÇÃO

Filtros de Gordura

LIMPEZA DE FILTROS DE GORDURA AUTOPORTANTES DE METAL

- Os filtros devem ser limpos a cada 2 meses de operação, ou com mais frequência em caso de uso intenso, e podem ser lavados na máquina de lavar louça.
- Puxe os painéis de conforto para os abrir.
- Remova os filtros um a um, empurrando-os para a parte traseira do exaustor enquanto os puxa para baixo.
- Deve-se evitar qualquer tipo de entortamento dos filtros ao lavá-los. Antes de recolocá-los no exaustor, certifique-se de que estejam completamente secos. (A cor da superfície do filtro pode mudar ao longo do tempo, mas isso não influencia na eficiência do filtro).
- Ao encaixar os filtros no exaustor, verifique se estão posicionados corretamente, com a alça voltada para fora.
- Feche os painéis de conforto.

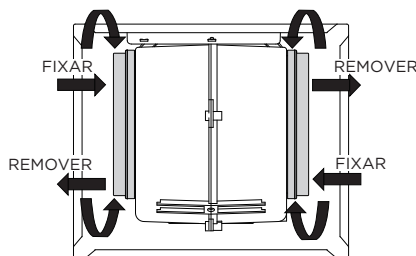


Filtro de carvão ativado (versão de recirculação)

- Esses filtros não são laváveis e não podem ser regenerados, devendo ser substituídos aproximadamente a cada 4 meses de operação, ou com maior frequência em caso de uso intenso.

Substituição do filtro de carvão ativado


- Abra os painéis de conforto puxando-os para baixo.
- Remova os filtros metálicos de gordura.
- Remova o filtro de carvão ativado saturado.
- Instale os novos filtros.
- Substitua os filtros metálicos de gordura.
- Feche os painéis de conforto.

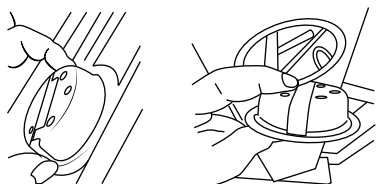


Iluminação

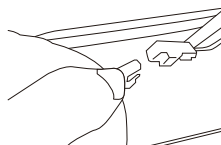
SUBSTITUIÇÃO DA LUZ

- Desligue o exaustor e isole-o retirando a ficha da tomada ou desligando o fusível.
- Remova o filtro de gordura.
- Remova a luz forçando a sua fixação para fora do corpo do exaustor (pode ser necessário aplicar pressão ou força).

	Potência Máxima	Tensão	Foto	Base da lâmpada	Código ILCOS D
Módulos de LED, reator separado	1,0 W	CC 12 V	 Diâmetro/Redondo: 70mm	--	DSR-1,0-S-70



- Desligue o conector da luz.
- Substitua o módulo de iluminação por um novo do mesmo tipo, certificando-se de conectá-lo corretamente ao cabo da luz.
- Reinstale a luz no corpo do exaustor.



RESOLUÇÃO DE PROBLEMAS

Problema	Causa possível	Solução
Luz acesa, mas o motor não funciona	• As lâminas estão bloqueadas.	Verifique as lâminas
	• O capacitor está danificado.	Substitua o capacitor.
	• O motor está danificado.	Substitua o motor.
	• A fiação interna do motor está cortada/desconectada. Um odor desagradável pode ser produzido.	Substitua o motor.
A luz e o motor não funcionam.	Além do que foi mencionado acima, verifique o seguinte:	
	• Luz danificada.	Substitua as luzes.
	• Cabo de alimentação solto.	Conecte os fios conforme o diagrama elétrico.
Vazamento de óleo	• A saída e a entrada de ventilação de ar não estão hermeticamente fechadas.	Retire a saída e sele com cola.
Vibração	• A lâmina, se danificada, pode causar vibração.	Substitua a lâmina.
	• O motor não está bem fixado.	Aperte bem o motor.
	• O exaustor não está bem fixado.	Fixe bem o exaustor.
Sucção insuficiente	• A distância entre o exaustor e o fogão é muito grande.	Reajuste a distância.
	• Muita ventilação por portas ou janelas abertas.	Escolha um novo local para instalar o aparelho ou feche algumas portas/janelas.
A máquina está inclinada.	• Os parafusos de fixação não estão apertados o suficiente.	Aperte o parafuso de fixação e deixe-o na horizontal.
	• Os parafusos de suspensão não estão suficientemente apertados.	Aperte o parafuso de suspensão e deixe-o na horizontal.

ELIMINAÇÃO E RECICLAGEM

Instruções importantes para o meio ambiente

Conformidade com a Diretiva WEEE e Eliminação do produto usado:

Este produto está em conformidade com a Diretiva WEEE da EU (2012/19/EU). Este produto tem um símbolo de classificação para resíduos de equipamentos elétricos e eletrônicos (WEEE).

Este símbolo indica que este produto não deve ser eliminado juntamente com outros resíduos domésticos no final da sua vida útil.

O dispositivo usado deve ser devolvido ao ponto de recolha oficial para reciclagem de aparelhos elétricos e eletrônicos. Para encontrar estes sistemas de recolha, contacte as autoridades locais ou o distribuidor onde o produto foi comprado. Cada agregado familiar desempenha um papel importante na recuperação e reciclagem de aparelhos usados. A eliminação correta dos aparelhos usados ajuda a evitar potenciais consequências negativas para o ambiente e para a saúde humana.

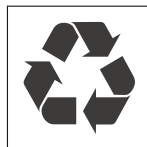


Conformidade com a Diretiva RoHS

O produto que você adquiriu está em conformidade com a Diretiva RoHS da EU (2011/65/EU). Não contém materiais nocivos e proibidos especificados na Diretiva.

Informações da embalagem

Os materiais de embalagem do produto são fabricados com materiais recicláveis, de acordo com nossos Regulamentos Ambientais Nacionais. Não descarte os materiais de embalagem junto com o lixo doméstico ou de outra natureza. Leve-os aos pontos de coleta de materiais de embalagem designados pelas autoridades locais.



Informações técnicas

Características Elétricas:

Consulte a placa de classificação.

Este eletrodoméstico foi concebido, testado e fabricado de acordo com:

- Segurança: EN/IEC 60335-1; EN/IEC 60335-2-31, EN/IEC 62233
- Desempenho: EN/IEC 61591; ISO 5167-1; ISO 5167-3; ISO 5168; EN/IEC 60704-1; EN/IEC 60704-2-13; EN/IEC 60704-3; ISO 3741: EN 50564/IEC 62301
- EMC: EN 55014-1 / CISPR 14-1; EN 55014-2 / CISPR 14-2; EN/IEC 61000-3-2; EN/IEC 61000-3-3.

Economizando Energia

Este eletrodoméstico é eficiente em termos de energia, mas aqui estão algumas dicas para economizar ainda mais energia:

- Durante o cozimento, certifique-se de que há um suprimento suficiente de ar para permitir que a coifa funcione de maneira eficiente e com baixo nível de ruído operacional.
- Ajuste a velocidade do ventilador de acordo com a quantidade de vapor produzida durante o cozimento. Use o modo intensivo apenas quando necessário. Quanto menor a velocidade do ventilador, menor será o consumo de energia.
- Se o cozimento produzir grandes quantidades de vapor, selecione a velocidade mais alta do ventilador com antecedência. Se o vapor já tiver se espalhado pela cozinha, a coifa precisará funcionar por mais tempo, consumindo mais energia.
- Desligue a coifa quando não for mais necessária.
- Desligue a iluminação quando não for mais necessária.
- Limpe e (se necessário) substitua o filtro regularmente para aumentar a eficácia do sistema de ventilação e prevenir o risco de incêndio.
- Coloque a tampa nas panelas para reduzir o vapor de cozimento e a condensação.



www.teka.com

CAJO 17 39011- SANTANDER (SPAIN)