

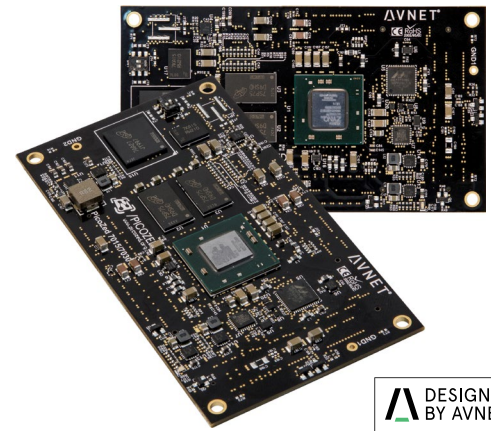
PicoZed™ is a highly flexible, rugged, System-On-Module, or SOM that is based on the AMD Xilinx Zynq®-7000 All Programmable SoC. It offers designers the flexibility to migrate between the 7010, 7015, 7020, and 7030 Zynq-7000. All Programmable SoC devices in a pin-compatible footprint. The PicoZed module contains the common functions required to support the core of most SoC designs, including memory, configuration, Ethernet, USB, and clocks. It provides easy access to over 100 user I/O pins through three I/O connectors on the backside of the module. These connectors also support access to dedicated interfaces for Ethernet, USB, JTAG, power and other control signals, as well as the GTP/GTX transceivers on the 7015/7030 models. The transceiver based 7015 and 7030 versions of PicoZed are a superset of the 7010/7020 version, adding four high-speed serial transceiver ports to the I/O connectors. Designers can simply design their own carrier card, plug-in PicoZed, and start their application development with a proven Zynq-7000 All Programmable SoC sub-system.

Kit includes

- MicroZed board

Target apps

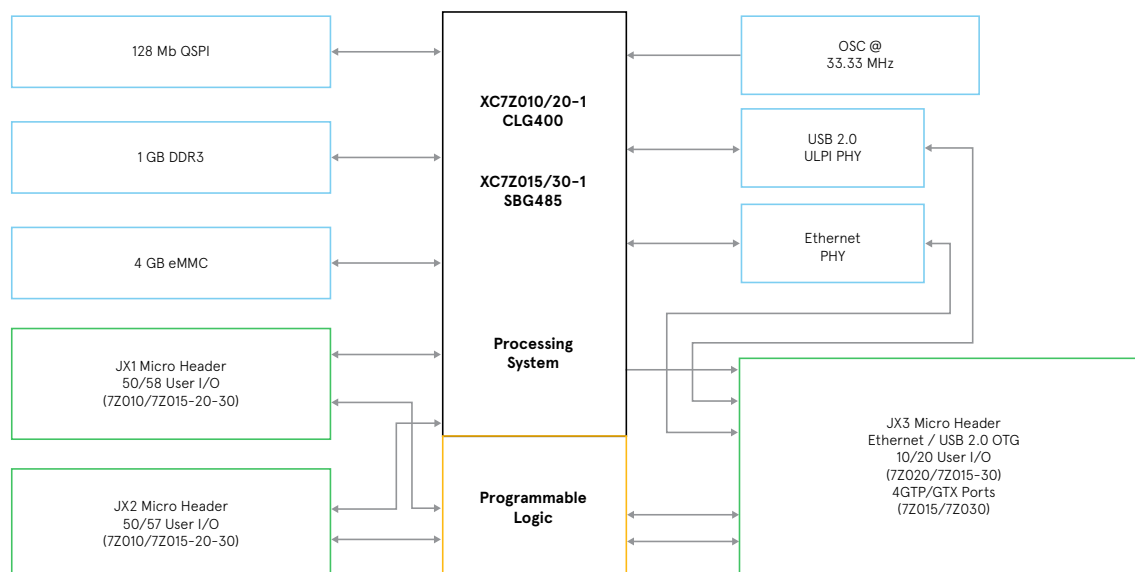
- Embedded system-on-module (SOM)
- Embedded vision
- Test & measurement
- Motor control
- Software-defined radio
- Industrial automation



Features

- 7Z010 version
 - 113 User I/O (100 PL and 13 PS MIO)
 - PL I/O configurable up to 48 LVDS pairs or up to 100-single ended I/O
- 7Z015 version
 - 148 User I/O (135 PL and 13 PS MIO)
 - PL I/O configurable up to 65 LVDS pairs or up to 135-single ended I/O
 - 4 GTP transceivers
- 7Z020 version
 - 138 User I/O (125 PL and 13 PS MIO)
 - PL I/O configurable up to 60 LVDS pairs or up to 125-single ended I/O
- 7Z030 version
 - 148 User I/O (135 PL and 13 PS MIO)
 - PL I/O configurable up to 65 LVDS pairs or up to 135-single ended I/O
 - 4 GTX transceivers

Block diagram



Featured manufacturers



Parts

Part number	Description	Price and availability
AES-Z7PZ-7Z010-SOM-G/REV-E	PicoZed 7010 SOM – Zynq SoC based, C Grade	avnet.me/picozed
AES-Z7PZ-7Z010-SOM-I-G/REV-E	PicoZed 7010 SOM – Zynq SoC based, I Grade	avnet.me/picozed
AES-Z7PZ-7Z015-SOM-I-G/REV-E	PicoZed 7015 SOM – Zynq SoC based, I Grade	avnet.me/picozed
AES-Z7PZ-7Z020-SOM-G/REV-E	PicoZed 7020 SOM – Zynq SoC based, C Grade	avnet.me/picozed
AES-Z7PZ-7Z020-SOM-I-G/REV-E	PicoZed 7020 SOM – Zynq SoC based, I Grade	avnet.me/picozed
AES-Z7PZ-7Z030-SOM-I-G/REV-E	PicoZed 7030 SOM – Zynq SoC based, I Grade	avnet.me/picozed

Related parts

Part number	Description	Price and availability
AES-PZCC-FMC-V2-G	2nd generation FMC Carrier supporting the PicoZed System-on-Module	avnet.me/pz-fmc-v2-cc

Countries available for purchase: Americas, EMEA, Asia, Japan

Contact information

North America
2211 S 47th Street
Phoenix, Arizona 85034
United States of America
1-800-585-1602

Europe (Silica)
Gruber Str. 60c
85586 Poing
Germany
+49-8121-77702

Europe (EBV)
Im Technologiepark 2-8
85586 Poing
Germany
<http://ebv.com/contact>

Japan
Yebisu Garden Place Tower, 23F
4-20-3 Ebisu, Shibuya-ku
Tokyo 150-6023 Japan
eval-kits-jp@avnet.com
+81-(0)3-5792-8210

Asia
151 Lorong Chuan
#06-03 New Tech Park
Singapore 556741
amd-xilinxapac@avnet.com
+65-6580-6000

1.800.332.8638 / avnet.com

Copyright © 2022 Avnet, Inc. AVNET, "Reach Further" and the Avnet logo are registered trademarks of Avnet, Inc. All other brands are the property of their respective owners.
FY23_800_PicoZed_Product_Brief_Update_al