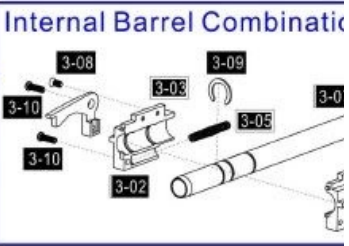
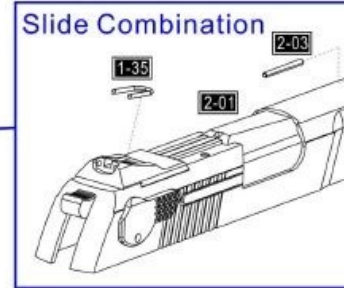
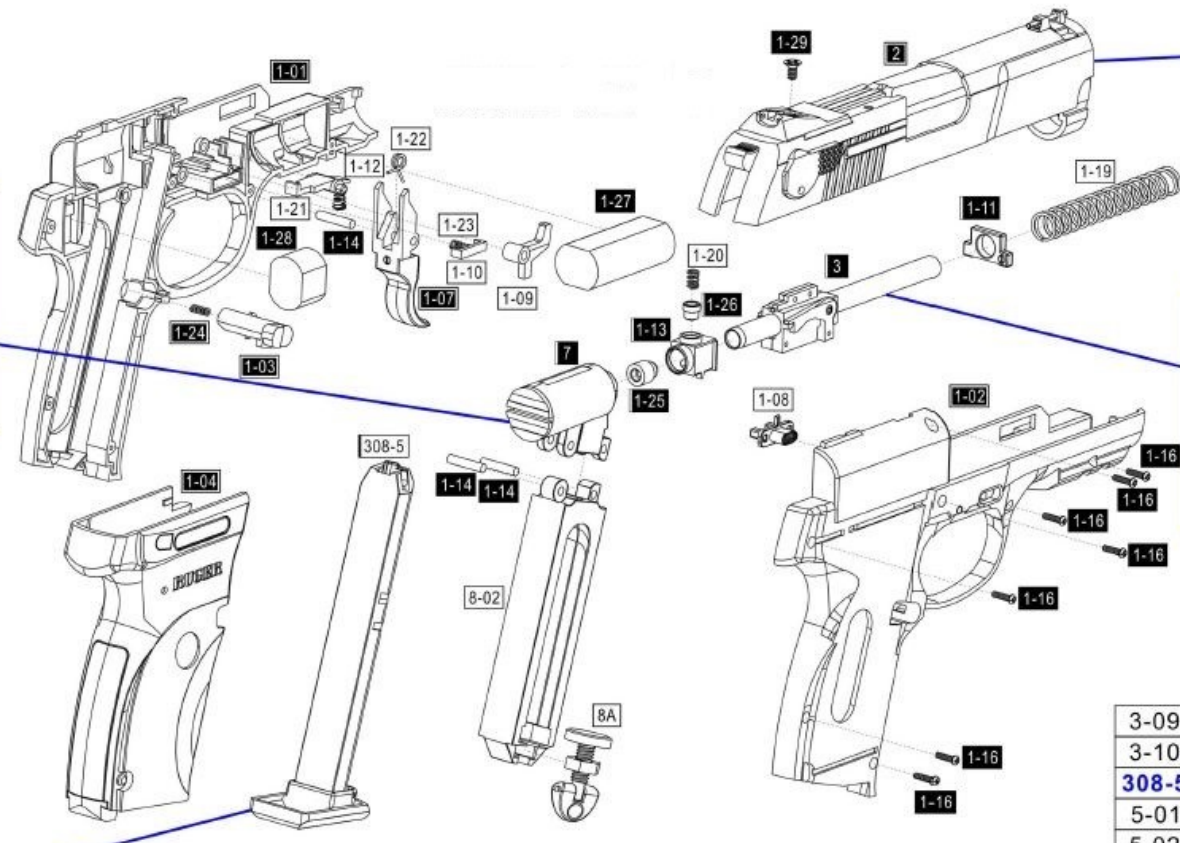
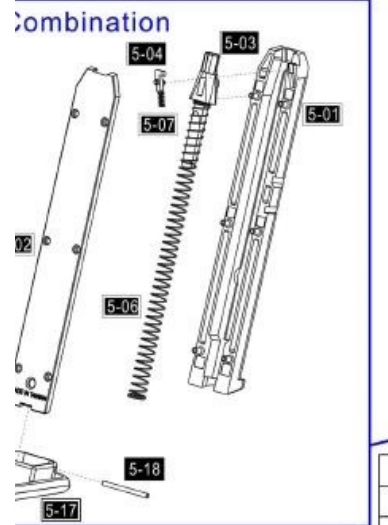
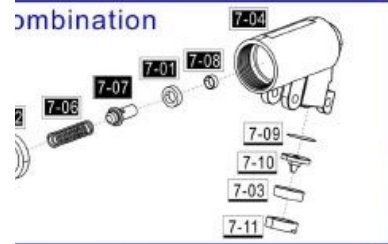


**UGER P345**  
**1 BB**



1-01	Frame(L)	1	1-24	Mag. Catch Spring	1	5-04	BB Guide
1-02	Frame(R)	1	1-25	Attacked Block	1	5-06	Mag. Spring
1-03	Mag. Catch	1	1-26	BB Stopper	1	5-07	BB Guide Spring
1-04	Grip	1	1-27	Heavy Weight	1	5-08	Mag. Base
1-07	Trigger	1	1-28	Heavy Weight	1	<b>7</b>	<b>Valve Combination</b>
1-08	Safety	1	1-29	Screw	1	7-01	Valve Ring
1-09	Safety Parts	1	<b>2</b>	<b>Slide Combination</b>	1	7-02	Valve Seal
1-10	Safety Spring Seat	1	2-01	Slide	1	7-03	Piercer Seal
1-11	Recoil Spring Stopper	1	2-03	Front Fiber Optic	1	7-04	Valve Chamber
1-12	Fixing Guide	1	1-35	U Type Fiber Optic	1	7-05	Valve Cover
1-13	BB Housing	1	<b>3</b>	<b>Internal Barrel Combination</b>	1	7-06	Valve Spring
1-14	Axis	3	3-01	Barrel Seat(R)	1	7-07	Valve
1-16	Screw	7	3-02	Barrel Seat(L)	1	7-08	Copper Ring
1-19	Recoil Spring	1	3-03	Ejector(R)	1	7-09	Filter
1-20	BB Stopper Spring	1	3-04	Ejector(L)	1	7-10	Piercer
1-21	Fixing Guide Spring	1	3-05	Ejector Spring	1	7-11	Fixing Ring
1-22	Trigger Spring	1	3-07	Internal Barrel	1	8A	Knob Combination
1-23	Safety Spring	1	3-08	Screw	1	8-02	Co2 Cartridge House
						3-09	C Washer
						3-10	Screw
						<b>308-5</b>	<b>Mag. Combination</b>
						5-01	Mag. Body
						5-02	Mag. Cover
						5-03	BB Follower