

Manufacturer:
ÅngströmLap®

Product Name:
ÅngströmLap® Aluminum Oxide Lapping Film Sheet -
6 x 6 inch 12µm (micron)

Manufacturer Part Number:
AO12F663N100



▶ [Click here for more details on the ÅngströmLap® Aluminum Oxide Lapping Film Sheet - 6 x 6 inch 12µm \(micron\)](#)

PRODUCT SPECIFICATIONS:

Description by Application

FO Type Name: AO12-DF

Color: Scarlet

Tape Specifications

Total Thickness: $99.0 \pm 3.5 \mu\text{m}$

Surface Roughness(Sa): $2.3 \pm 0.45 \mu\text{m}$

Abrasive Type

Particle Type: Aluminum Oxide

Grit Size: 12 µm

Base Film Type

Base Film Material: Poly-ethylene terephthalate

Base Film Thickness: 3 mil (75 µm)

Process Parameters

Type: DF

Contact the professionals at Fiber Optic Center for a quote or to get more details.

focenter.com • 508-992-6464 | (800) 473-4237 • sales@focenter.com

23 Centre Street • New Bedford, MA 02740 USA

Product specifications and data are subject to change without notice. FOC last update 1/2/2026.



Manufacturer:
ÅngströmLap®

Product Name:
ÅngströmLap® Aluminum Oxide Lapping Film Sheet -
6 x 6 inch 12µm (micron)

Manufacturer Part Number:
AO12F663N100



▶ Click here for more details on the ÅngströmLap® Aluminum Oxide Lapping Film Sheet - 6 x 6 inch 12µm (micron)

PRODUCT SPECIFICATIONS:

Unit: Standard packaging of 100

Roll - Product that has already been slit down for samples or to product specifications requested by the customer. This specification standard covers tapes for various applications.

Disc - Product that has been slit down into rolls then die cut into circular discs to conform to customer specified sizes. This specification standard covers discs for various applications

Sheet - Product that has been slit down into rolls then sheet cut into rectangular sheets to conform to customer specified sizes. This specification standard covers sheets for various applications

Description:

Example: AO12-DF

Abrasive Material	Average Grit Size	Process Type	
		D	F
AO	12	Mixing Ratio Type	Surface Shape Type
Aluminum Oxide	12 µm		

Lot Description:

Indicated by 10 digits number.
Automatic numbering by enterprise resource planning system.
Example: 0000012345

Product Specifications:

Mipox product standards are specified by the abrasive film Surface roughness and the total thickness diameter and length.

Storage Environment:

- Temperature: 10 to 50 centigrade
- Humidity: 20 to 80%

Product Life: Mipox product life is guaranteed up to 5 years from the manufactured date

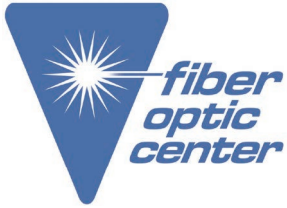
Recommended Usage: Usage amounts are conservative estimates and may vary based on individual conditions. Please contact Fiber Optic Center to optimize these usage numbers. Specifications subject to change without notice.

Contact the professionals at Fiber Optic Center for a quote or to get more details.

focenter.com • 508-992-6464 | (800) 473-4237 • sales@focenter.com

23 Centre Street • New Bedford, MA 02740 USA

Product specifications and data are subject to change without notice. FOC last update 1/2/2026.



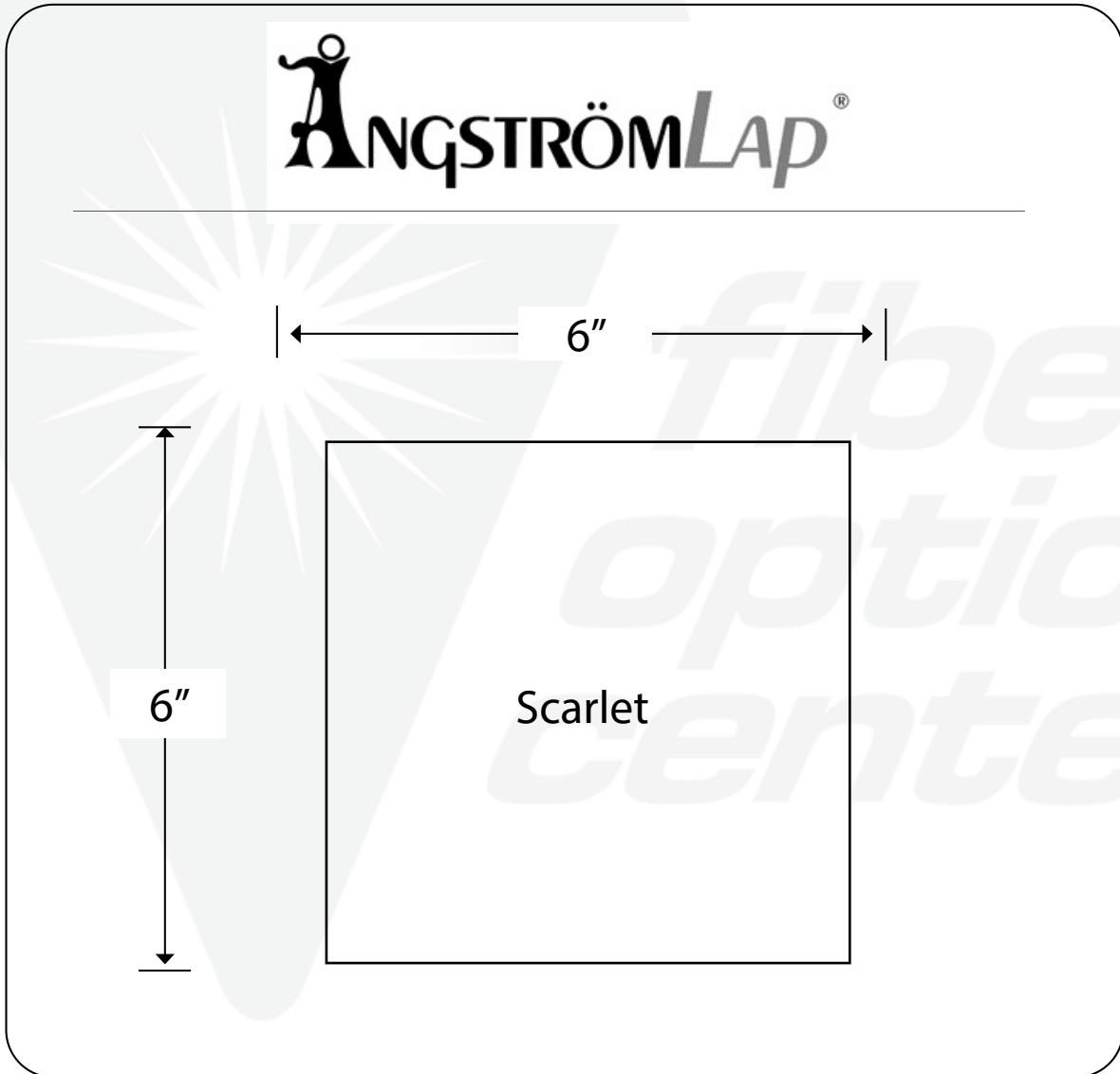
Manufacturer:
ÅngströmLap®

Product Name:
ÅngströmLap® Aluminum Oxide Lapping Film Sheet -
6 x 6 inch 12µm (micron)

Manufacturer Part Number:
AO12F663N100



▶ [Click here for more details on the ÅngströmLap® Aluminum Oxide Lapping Film Sheet - 6 x 6 inch 12µm \(micron\)](#)



Contact the professionals at Fiber Optic Center for a quote or to get more details.

focenter.com • 508-992-6464 | (800) 473-4237 • sales@focenter.com

23 Centre Street • New Bedford, MA 02740 USA

Product specifications and data are subject to change without notice. FOC last update 1/2/2026.