

Manufacturer:

ÅngströmLap®

Product Name:

ÅngströmLap® Sequoia Diamond Lapping Film Sheet -
6 x 6 inch 1µm (micron)

Manufacturer Part Number:

D1KT663N1



Learn More

▶ [Click here for more details on the ÅngströmLap® Sequoia Diamond Lapping Film Sheet - 6 x 6 inch 1µm \(micron\)](#)

PRODUCT SPECIFICATIONS:

Description by Application

FO Type Name: D1-KT

Color: Lavender

Tape Specifications

Total Thickness: $82.0 \pm 2.5 \mu\text{m}$

Surface Roughness: $.60 \pm 0.3 \mu\text{m}$

Abrasive Type

Particle Type: Diamond

Grit Size: 1.0 µm

Base Film Type

Base Film Material: Poly-ethylene terephthalate

Base Film Thickness: 3 mil (75 µm)

Process Parameters

Type: KT



Contact the professionals at Fiber Optic Center for a quote or to get more details.

focenter.com • 508-992-6464 | (800) 473-4237 • sales@focenter.com

23 Centre Street • New Bedford, MA 02740 USA

Product specifications and data are subject to change without notice. FOC last update 12/29/2025.



Manufacturer:
ÅngströmLap®

Product Name:
ÅngströmLap® Sequoia Diamond Lapping Film Sheet -
6 x 6 inch 1µm (micron)

Manufacturer Part Number:
D1KT663N1



▶ [Click here for more details on the ÅngströmLap® Sequoia Diamond Lapping Film Sheet - 6 x 6 inch 1µm \(micron\)](#)

PRODUCT SPECIFICATIONS:

Unit: Standard packaging of 100

Roll - Product that has already been slit down for samples or to product specifications requested by the customer. This specification standard covers tapes for various applications.

Disk - Product that has been slit down into rolls then die cut into circular disks to conform to customer specified sizes. This specification standard covers disks for various applications

Sheet - Product that has been slit down into rolls then sheet cut into rectangular sheets to conform to customer specified sizes. This specification standard covers sheets for various applications

Description:

Example: D1-KT

Abrasive Material	Average Grit Size	Base Film Type	Process Type	
D	1	75	K	T
Diamond	1 µm	75 µm	Mixing Ratio Type	Surface Shape Type

Lot Description:

Automatic numbering by enterprise resource planning system.

Example: 0000012345

Product Specifications:

Mipox product standards are specified by the abrasive film Surface roughness and the total thickness diameter and length.

Storage Environment:

- Temperature: 10 to 50 centigrade
- Humidity: 20 to 80%

Product Life: Mipox product life is guaranteed up to 5 years from the manufactured date

Recommended Usage: Usage amounts are conservative estimates and may vary based on individual conditions. Please contact Fiber Optic Center to optimize these usage numbers. Specifications subject to change without notice.

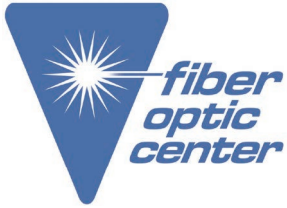


Contact the professionals at Fiber Optic Center for a quote or to get more details.

focenter.com • 508-992-6464 | (800) 473-4237 • sales@focenter.com

23 Centre Street • New Bedford, MA 02740 USA

Product specifications and data are subject to change without notice. FOC last update 12/29/2025.



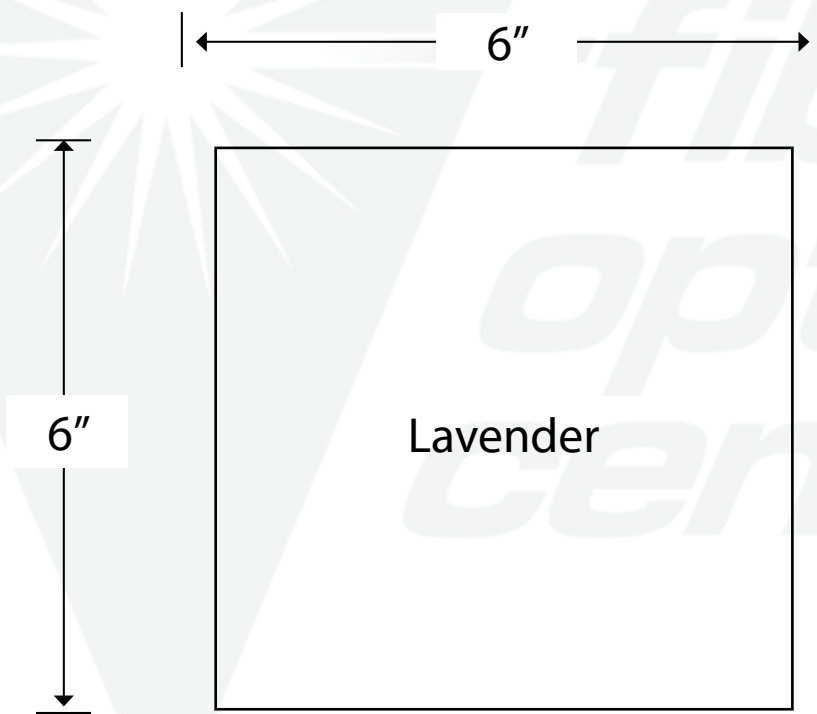
Manufacturer:
ÅngströmLap®

Product Name:
ÅngströmLap® Sequoia Diamond Lapping Film Sheet -
6 x 6 inch 1µm (micron)

Manufacturer Part Number:
D1KT663N1



▶ [Click here for more details on the ÅngströmLap® Sequoia Diamond Lapping Film Sheet - 6 x 6 inch 1µm \(micron\)](#)



Contact the professionals at Fiber Optic Center for a quote or to get more details.

focenter.com • 508-992-6464 | (800) 473-4237 • sales@focenter.com

23 Centre Street • New Bedford, MA 02740 USA

Product specifications and data are subject to change without notice. FOC last update 12/29/2025.