



Manufacturer:
SENKO

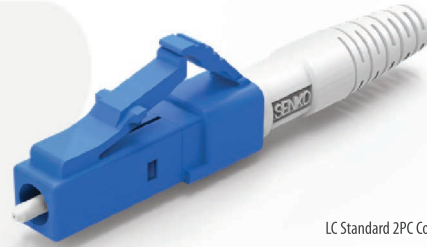
Product Name:
SENKO LC Connector, Multimode, 127µm (micron)
Ceramic Ferrule, 3mm White Boot

Manufacturer Part Number:
911-251-241



▶ [Click here for more details on the SENKO LC Connector, Multimode, 127µm \(micron\) Ceramic Ferrule, 3mm White Boot](#)

LC STANDARD 2PC CONNECTOR 911/912 Series



LC Standard 2PC Connector

The SENKO LC Standard 2PC Connector is the pioneering two-piece design that provides a robust and straightforward solution for both factory and field settings. It supports Singlemode and Multimode fibers, offering low insertion loss and high return loss for a range of applications, including telecommunications and data centers. Its compact design is ideal for high-density applications and complies with IEC 61754-20 standards. Additionally, it represents excellent value for money, making it a cost-effective option for achieving reliable fiber optic connectivity.

Installation of the SENKO LC 2Pc Connector is streamlined due to its modular nature, enabling efficient termination of fiber optic cables in the field. This capability not only reduces downtime during maintenance but also supports rapid scalability and adaptation to evolving network demands. Overall, the connector's robust design, coupled with its performance capabilities and ease of installation, positions it as a practical choice for achieving reliable and efficient fiber optic connectivity in demanding operational environments.

- The original 2 piece LC design
- Excellent value for cost
- Pre-assembled and connector kits available
- Precision 1.25 mm Ferrules for superior performance
- Compact design for high density applications
- Fully compliant to IEC 61754-20
- User-friendly design for straightforward installation and maintenance

APPLICATIONS

- Telecommunications
- Data centers
- Local area networks (LANs)
- Fiber to the home (FTTH)
- Enterprise networks
- Medical equipment
- Industrial applications
- Military and aerospace
- Broadcasting

KEY BENEFITS

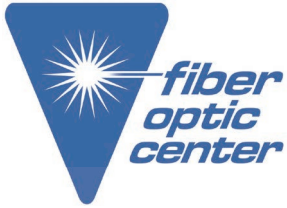
- ✓ **High density connectivity**
- ✓ **Cost effective solution**
- ✓ **Ease of use**
- ✓ **Durability and reliability**

Contact the professionals at Fiber Optic Center for a quote or to get more details.

focenter.com • 508-992-6464 | (800) 473-4237 • sales@focenter.com

23 Centre Street • New Bedford, MA 02740 USA

Product specifications and data are subject to change without notice. FOC last update 3/6/2026.



Manufacturer:
SENKO

Product Name:
SENKO LC Connector, Multimode, 127µm (micron)
Ceramic Ferrule, 3mm White Boot

Manufacturer Part Number:
911-251-241



▶ [Click here for more details on the SENKO LC Connector, Multimode, 127µm \(micron\) Ceramic Ferrule, 3mm White Boot](#)

LC STANDARD 2PC CONNECTOR
911/912 Series

2

LC STANDARD 2PC CONNECTOR DATASHEET

Mechanical Data

	Value
Durability	<0.2dB typical change, 500 matings
Fiber Count	Simplex / duplex (1 or 2 Fiber)
Cable Suitability	900 µm to 3 mm
Ferrule Material	Zirconia

Optical Data

	Singlemode	Multimode
	UPC	MM
	Standard	
Typical Insertion Loss (dB)*	0.12	0.15
Max. Insertion Loss (dB)*	0.30	0.30
Typical Return Loss (dB)*	≥55	≥25
Ferrule Diameter (µm)	125.5	127

* Based on master grade jumper to low loss random mating test

Environmental Data

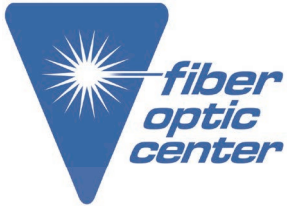
	Value
Operating Temperature	-40°C to +75°C
RoHS Compliance	Yes
REACH Compliance	Yes
Humidity Resistance	95%

Contact the professionals at Fiber Optic Center for a quote or to get more details.

focenter.com • 508-992-6464 | (800) 473-4237 • sales@focenter.com

23 Centre Street • New Bedford, MA 02740 USA

Product specifications and data are subject to change without notice. FOC last update 3/6/2026.



Manufacturer:
SENKO

Product Name:
SENKO LC Connector, Multimode, 127µm (micron)
Ceramic Ferrule, 3mm White Boot

Manufacturer Part Number:
911-251-241



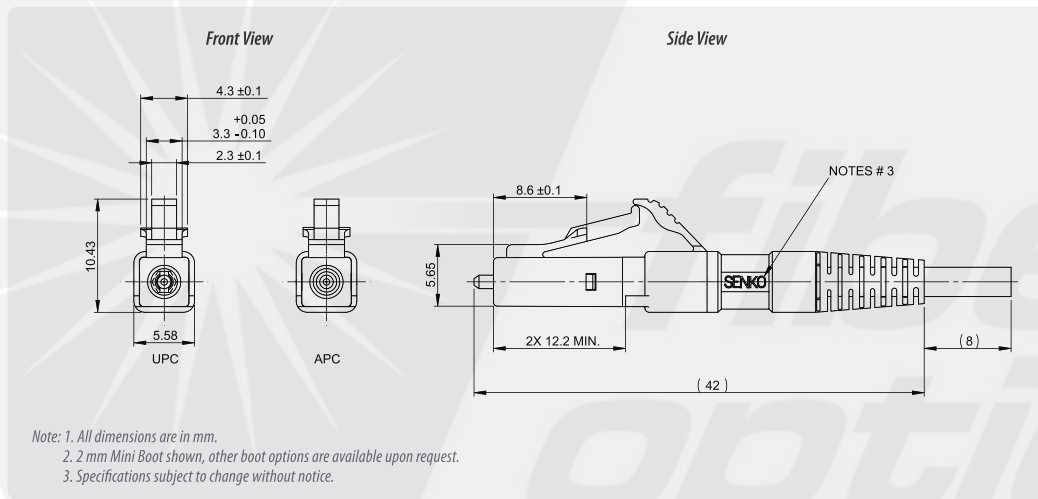
▶ Click here for more details on the SENKO LC Connector, Multimode, 127µm (micron) Ceramic Ferrule, 3mm White Boot

LC STANDARD 2PC CONNECTOR
911/912 Series

3

LC STANDARD 2PC CONNECTOR DATASHEET

Connector Drawing



ORDERING



CONNECTOR	FERRULE TYPE	HOUSING	BOOT TYPE	BOOT COLOR
911 Preassembled Simplex	151 SM: Standard 125.5 µm	1 SM: Blue	B MINI Boot 900 µm	1 White
912 Preassembled Duplex	251 MM: Standard 127 µm	2 MM: Beige	C MINI Boot 2.0 mm	2 Blue
		5 MM OM3: Aqua	D MINI Boot 3.0 mm	3 Black
		6 MM OM4: Heather Violet	2 2.0 mm Original	4 Yellow
			6 3.0 mm Boot	5 Red

Note: Other ferrule ID size are available
SM 126 µm SM 125 µm MM 230 µm MM 144 µm

912 - 151 - 121 ORDER CODE example

Contact the professionals at Fiber Optic Center for a quote or to get more details.

focenter.com • 508-992-6464 | (800) 473-4237 • sales@focenter.com

23 Centre Street • New Bedford, MA 02740 USA

Product specifications and data are subject to change without notice. FOC last update 3/6/2026.