

Manufacturer:
SENKO

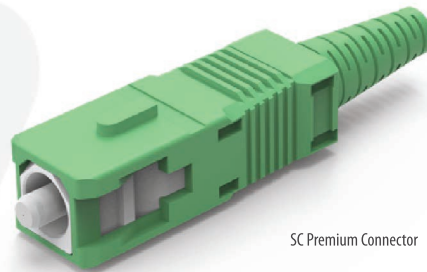
Product Name:
SENKO SC Connector, Multimode, 127µm (micron)
Ceramic Ferrule, 1.6mm - 2mm Beige Boot

Manufacturer Part Number:
254-291-9N8



▶ [Click here for more details on the SENKO SC Connector, Multimode, 127µm \(micron\) Ceramic Ferrule, 1.6mm - 2mm Beige Boot](#)

SC PREMIUM CONNECTOR (UPC / APC) 254/291/294 Series



SC Premium Connector

SENKO's SC Premium connector is the flagship connector within the SENKO SC Connector range, with industry leading low loss performance offering industry leading premium, repeatable optical performance and quality.

It has been specifically designed and optimized to meet the most demanding of applications to give class leading low loss performance. It uses high quality components and keying features to achieve the best possible fiber to core-to-core alignment, dramatically minimizing the effect of apex offset and achieving superior insertion loss and return loss results.

The SENKO SC Premium connector has been extensively tested to ensure it meets and exceeds the GR-326 CORE and the enhanced test levels of the Verizon FOC TPR9409 specification.

As with all SENKO SC Connector ranges, the SC Premium it is fully compliant to IEC 61754-4 with a push pull mechanism and 2.5 mm ferrules. It incorporates a push pull mechanism and can be configured to suit multiple cable types and single-mode and multimode fiber.

FEATURES

- Fully compliant with IEC 61754-4
- Push-pull coupling mechanism for repeatable and simple installation.
- Multiple cable boot types available
- Housing and boots can be color-coded
- Typical Low Loss IL 0.05dB
- Meets and exceeds the requirements of Verizon FOC TPR 9409
- GR-326 qualified

APPLICATIONS

- Data center networks
- Telecommunications networks
- FTTX networks
- Premise distribution networks
- Industrial and defense systems

KEY BENEFITS

- ✓ **Industry leading Low Loss performance**
- ✓ **Reliable performance even in extreme temperatures**
- ✓ **Excellent manufacturability yields**

Contact the professionals at Fiber Optic Center for a quote or to get more details.

focenter.com • 508-992-6464 | (800) 473-4237 • sales@focenter.com

23 Centre Street • New Bedford, MA 02740 USA

Product specifications and data are subject to change without notice. FOC last update 3/6/2026.



Manufacturer:
SENKO

Product Name:
SENKO SC Connector, Multimode, 127µm (micron)
Ceramic Ferrule, 1.6mm - 2mm Beige Boot

Manufacturer Part Number:
254-291-9N8



▶ [Click here for more details on the SENKO SC Connector, Multimode, 127µm \(micron\) Ceramic Ferrule, 1.6mm - 2mm Beige Boot](#)

SC PREMIUM CONNECTOR
254/291/294 Series

2

SC PREMIUM CONNECTOR DATA SHEET

Mechanical Data

	Value
Durability	500 matings per TIA-568.3
Cable Suitability	900 µm up to 3.0 mm
Boot Size	900 µm, 2.0 mm, 3.0 mm
Boot Type	Standard, long, mini, flex angle
Ferrule Material	Zirconia

Optical Data

	Singlemode				Multimode
	UPC		APC		MM
	Low Loss	Premium	Low Loss	Premium	Premium
Typical Insertion Loss (dB)*	0.05	0.08	0.07	0.12	0.10
Max. Insertion Loss (dB)*	0.15	0.20	0.15	0.25	0.20
Typical Return Loss (dB)*	≥55		≥65		≥25
Ferrule Diameter (µm)	125				127

* Based on master grade jumper to low loss random mating test

Environmental Data

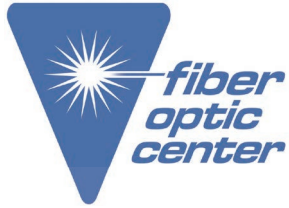
	Value
Operating Temperature	-40°C to +75°C
RoHS Compliance	Yes
REACH Compliance	Yes
Humidity Resistance	95%

Contact the professionals at Fiber Optic Center for a quote or to get more details.

focenter.com • 508-992-6464 | (800) 473-4237 • sales@focenter.com

23 Centre Street • New Bedford, MA 02740 USA

Product specifications and data are subject to change without notice. FOC last update 3/6/2026.



Manufacturer:
SENKO

Product Name:
SENKO SC Connector, Multimode, 127µm (micron)
Ceramic Ferrule, 1.6mm - 2mm Beige Boot

Manufacturer Part Number:
254-291-9N8



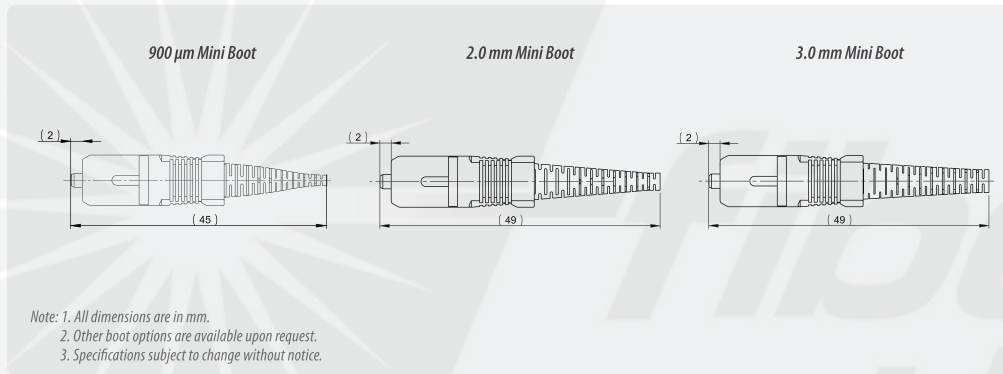
▶ Click here for more details on the SENKO SC Connector, Multimode, 127µm (micron) Ceramic Ferrule, 1.6mm - 2mm Beige Boot

SC PREMIUM CONNECTOR
254/291/294 Series

3

SC PREMIUM CONNECTOR DATA SHEET

Connector Drawing

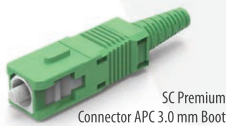


ORDERING



CONNECTOR	FERRULE TYPE	HOUSING	BOOT TYPE	BOOT COLOR
254 SC Premium Connector UPC	193 SM Premium 125µm	5 Aqua	7 Long 3.0 mm	1 Blue
	198 SM Low Loss 125µm	6 Blue	A Long 2.0 mm	2 Black
	291 MM Premium 127µm	7 Black	M Standard 900 µm	3 Green
		8 Red	N Standard 2.0 mm	4 Red
		9 Beige	P Standard 3.0 mm	6 Yellow
			J MINI 900 µm	7 White
			K MINI 2.0 mm	8 Beige
			L MINI 3.0 mm	9 Aqua
			F Flex Angle Boot 3.0 mm	
		G Flex Angle Boot 2.0 mm		

Note: Other ferrule ID size are available - SM 81µm SM 125.5µm MM 230µm MM 144µm



CONNECTOR	FERRULE TYPE	POLISH	BOOT TYPE
291 SC Premium Connector APC Step	193 SM Premium 125µm	1 No Angle	7 Long 3.0 mm
294 SC Premium Connector APC Cone	198 SM Low Loss 125µm	2 8° Pre-Angle	A Long 2.0 mm
			M Standard 900 µm
			N Standard 2.0 mm
			P Standard 3.0 mm
			J MINI 900 µm
			K MINI 2.0 mm
			L MINI 3.0 mm
			F Flex Angle Boot 3.0 mm
			G Flex Angle Boot 2.0 mm

Note: Other ferrule ID size are available - SM 81µm SM 125.5µm

291 - 193 - 17 ORDER CODE example

Contact the professionals at Fiber Optic Center for a quote or to get more details.

focenter.com • 508-992-6464 | (800) 473-4237 • sales@focenter.com

23 Centre Street • New Bedford, MA 02740 USA

Product specifications and data are subject to change without notice. FOC last update 3/6/2026.