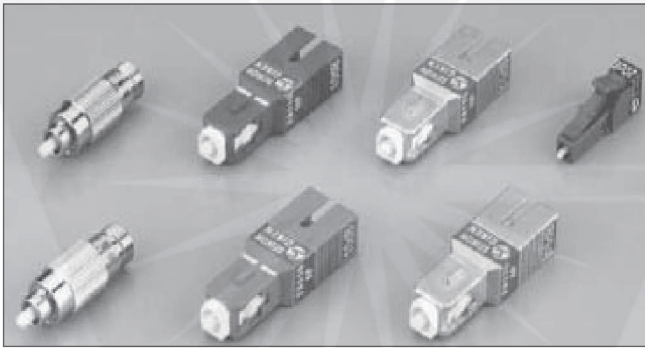


RECOGNIZED WORLD LEADER IN FIBER OPTIC TECHNOLOGY  
 QUALITY FIBER COMPONENTS, EQUIPMENT, & SUPPLIES

## Product Data Sheet

Page 1 of 3

### Plug Type Fixed Attenuator



Our connectors offer functions and features that ensure high performance and efficient operation, while maintaining compatibility with different connectors.

The LC type connectors are high 'populated' miniaturized connectors with a half-size ferrule 1.25mm in diameter. Also included: FC/PC, FC/APC, SC/PC, SC/APC, LC/PC, LC/APC.

#### Features & Benefits

- High precision attenuation ( $\pm 0.5\text{dB}$  for Platinum Label)
- Low wavelength dependency (0.5dB Typ at 10dB 1480 ~ 1620)
- Clean and scratch-free fiber end face
- GR-326 End Face Geometry
- High power durability (500mW x 1000h)
- Applicable Bandwidth: 1300nm to 1620nm
- Stable Flatness: 0.5dB (10dB at 1480 ~ 1620nm)



RECOGNIZED WORLD LEADER IN FIBER OPTIC TECHNOLOGY  
 QUALITY FIBER COMPONENTS, EQUIPMENT, & SUPPLIES

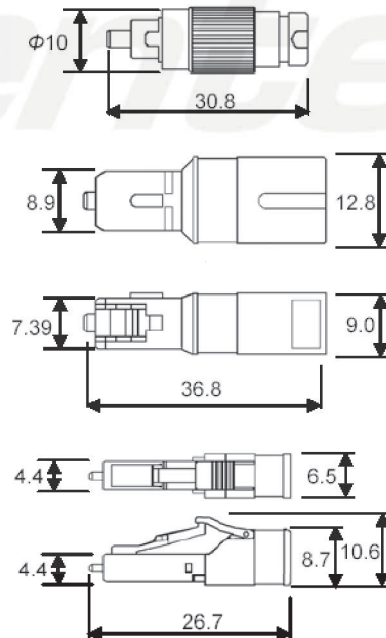
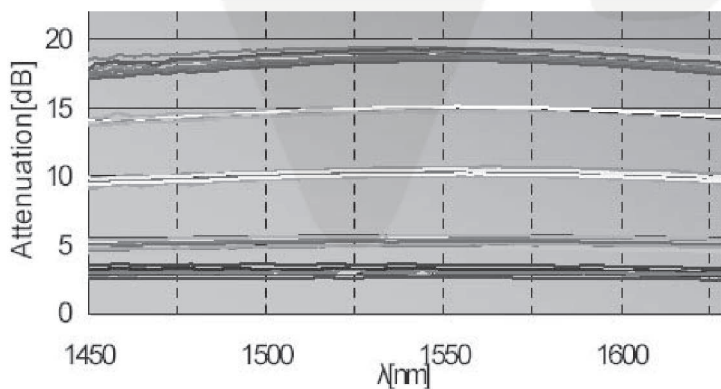
## Product Data Sheet

Page 2 of 3

### Specifications

	Blue Label	Gold Label	Platinum Label
Connector Type	FC,SC	FC,SC,LC	FC,SC
Polishing Type		PC,APC	
Attenuation Level	1 ~ 10dB(1dB step) 15,20dB	FC,SC: 1 ~ 15dB(1dB step) 20dB LC: 1 ~ 10dB(1dB step)	1 ~ 15dB (1dB step) 1.5dB,2.5dB,20dB
Attenuation Tolerance	± 1.0dB(1 ~ 10dB) ± 10%(15,20dB)	± 1.0dB(1 ~ 10dB) ± 10%(11 ~ 20dB)	± 0.5dB(1 ~ 10dB) ± 5%(11 ~ 20dB)
Back Reflection		< -50dB (PC) < -60dB(APC)	
Polarization Dependent Loss	N/A	> = 0.5dB	> = 0.5dB
Operating Temperature		-20 ~ +70 deg C	
Storage Temperature		-40 ~ +80 deg C	
Inspection data	N/A	Attenuation,BR	Attenuation,BR

### Attenuation and Dimensions



Fiber Optic Center, Inc. MAKES NO EXPRESS OR IMPLIED WARRANTIES OF MERCHANTABILITY, FITNESS OR OTHERWISE, with respect to its products. In addition, while the information herein is believed to be reliable, no warranty is expressed or implied regarding the accuracy of the data or the results to be obtained from the use thereof. All recommendations or suggestion for use are made without guarantee – inasmuch as conditions of use are beyond our control. The properties given are typical values, and are not intended for use in preparing specifications. Users should make their own test to determine the suitability of this product for their own purposes.

RECOGNIZED WORLD LEADER IN FIBER OPTIC TECHNOLOGY  
 QUALITY FIBER COMPONENTS, EQUIPMENT, & SUPPLIES

## Product Data Sheet

Page 3 of 3

### Ordering Information

FA    -   -   -

Connector Type		Attenuation		Polishing Type		Grade	
FC	1 0 0	1~15dB	0 1 ~ 1 5	PC	HP	Blue Label(1310nm)	1 3
SC(Plastic Housing)	1 1 0	20dB	2 0	APC	AP	Blue Label(1550nm)	1 5
SC(Metal Housing)	1 1 5	1.5dB	1 H			Gold Label	Blank
LC	1 2 5	2.5dB	2H			Platinum Label	5



Fiber Optic Center, Inc. MAKES NO EXPRESS OR IMPLIED WARRANTIES OF MERCHANTABILITY, FITNESS OR OTHERWISE, with respect to its products. In addition, while the information herein is believed to be reliable, no warranty is expressed or implied regarding the accuracy of the data or the results to be obtained from the use thereof. All recommendations or suggestion for use are made without guarantee – inasmuch as conditions of use are beyond our control. The properties given are typical values, and are not intended for use in preparing specifications. Users should make their own test to determine the suitability of this product for their own purposes.