

**Manufacturer:**

Seikoh Giken

**Product Name:**

Seikoh Giken SC Connector, Multimode,  
126µm (micron) Ceramic Ferrule, 900µm Aqua Boot

**Manufacturer Part Number:**

SSC-PQE1G-C11261A306G



Learn More

▶ [Click here for more details on the Seikoh Giken SC Connector, Multimode, 126µm \(micron\) Ceramic Ferrule, 900µm Aqua Boot](#)

# GS-SC Series

## SC CONNECTOR PLUG

### TECHNICAL SPECIFICATIONS

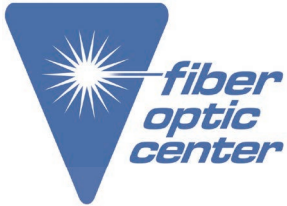
*Fiber  
optic  
center*

**Contact the professionals at Fiber Optic Center for a quote or to get more details.**

[focenter.com](http://focenter.com) • 508-992-6464 | (800) 473-4237 • [sales@focenter.com](mailto:sales@focenter.com)

23 Centre Street • New Bedford, MA 02740 USA

Product specifications and data are subject to change without notice. FOC last update 4/20/2026.



**Manufacturer:**

Seikoh Giken

**Product Name:**

Seikoh Giken SC Connector, Multimode,  
126µm (micron) Ceramic Ferrule, 900µm Aqua Boot

**Manufacturer Part Number:**

SSC-PQE1G-C11261A306G



▶ [Click here for more details on the Seikoh Giken SC Connector, Multimode, 126µm \(micron\) Ceramic Ferrule, 900µm Aqua Boot](#)

QC-ZW-005-0 May 2013

QC-ZW-005-1 Mar 2014

QC-ZW-005-2 Apr 2014

QC-ZW-005-3 Aug 2015

Copyright © 2013 by Seikoh Giken Hangzhou Co., Ltd.

All right reserved.

The information contained herein shall not be reproduced or disclosed to any third party without the express written consent of Seikoh Giken Hangzhou Co., Ltd.

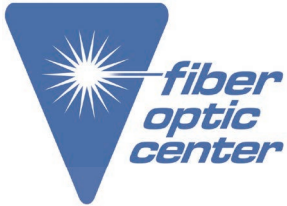
The specifications and materials contained herein are subject to change without notice.

**Contact the professionals at Fiber Optic Center for a quote or to get more details.**

[focenter.com](http://focenter.com) • 508-992-6464 | (800) 473-4237 • [sales@focenter.com](mailto:sales@focenter.com)

23 Centre Street • New Bedford, MA 02740 USA

Product specifications and data are subject to change without notice. FOC last update 4/20/2026.



**Manufacturer:**

Seikoh Giken

**Product Name:**

Seikoh Giken SC Connector, Multimode,  
126µm (micron) Ceramic Ferrule, 900µm Aqua Boot

**Manufacturer Part Number:**

SSC-PQE1G-C11261A306G



▶ [Click here for more details on the Seikoh Giken SC Connector, Multimode, 126µm \(micron\) Ceramic Ferrule, 900µm Aqua Boot](#)

TABLE OF CONTENTS

Section	Page
1 SCOPE	1
2 PART NUMBER	1-5
3 GENERAL SPECIFICATIONS	6
3.1 Parts and Materials	6
3.2 Physical Dimensions	7
3.3 General Tolerance	7
3.4 Appearance	7
4 PACKING	7
5 IDENTIFICATION	7
6 HANDLING AND CARE	8
6.1 Conditions of Storage	8
6.2 Precautions of Use	8
6.3 Disposal	8
7 FIGURE	9-17

**Contact the professionals at Fiber Optic Center for a quote or to get more details.**

[focenter.com](http://focenter.com) • 508-992-6464 | (800) 473-4237 • [sales@focenter.com](mailto:sales@focenter.com)

23 Centre Street • New Bedford, MA 02740 USA

Product specifications and data are subject to change without notice. FOC last update 4/20/2026.



**Manufacturer:**

Seikoh Giken

**Product Name:**

Seikoh Giken SC Connector, Multimode, 126µm (micron) Ceramic Ferrule, 900µm Aqua Boot

**Manufacturer Part Number:**

SSC-PQE1G-C11261A306G

▶ [Click here for more details on the Seikoh Giken SC Connector, Multimode, 126µm \(micron\) Ceramic Ferrule, 900µm Aqua Boot](#)

1 SCOPE

These specifications apply to the GS SC series SC connector plug for Φ0.9mm buffered fiber and Φ2mm cord supplied by SEIKOH GIKEN Co., Ltd.

2 PART NUMBER

Part number of the connector plug is shown in Table 1.

Table 1 Part Number

SC/PC 0.9mm SM

<b>SSC-PE1G</b>	<b><u>5</u></b>	<b><u>1</u></b>	<b><u>125</u></b>	<b><u>1</u></b>	<b><u>A</u></b>	<b>306G</b>
-----------------	-----------------	-----------------	-------------------	-----------------	-----------------	-------------

Boot Color	
1	Black
2	Red
5	Blue

Cap	
A	Black Ferrule Cap

Marking	
1	SG

Boot I.D.(mm)	
1	For Φ0.9mm buffered fiber(Rubber)

Ferrule I.D.(µm)	
125	Φ 125

SC/APC (Conical) 0.9mm SM

<b>SSC-PNE1G</b>	<b><u>8</u></b>	<b><u>1</u></b>	<b><u>125</u></b>	<b><u>1</u></b>	<b><u>B</u></b>	<b>306G</b>
------------------	-----------------	-----------------	-------------------	-----------------	-----------------	-------------

Boot Color	
1	Black
2	Red
8	Green

Cap	
B	Green Ferrule Cap

Marking	
1	SG

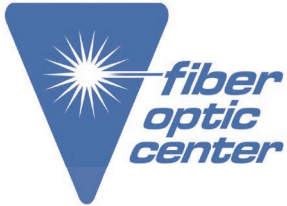
Boot I.D.(mm)	
1	For Φ0.9mm buffered fiber(Rubber)

Ferrule I.D.(µm)	
125	Φ 125

**Contact the professionals at Fiber Optic Center for a quote or to get more details.**

[focenter.com](http://focenter.com) • 508-992-6464 | (800) 473-4237 • [sales@focenter.com](mailto:sales@focenter.com)

23 Centre Street • New Bedford, MA 02740 USA



**Manufacturer:**

Seikoh Giken

**Product Name:**

Seikoh Giken SC Connector, Multimode, 126µm (micron) Ceramic Ferrule, 900µm Aqua Boot

**Manufacturer Part Number:**

SSC-PQE1G-C11261A306G



▶ Click here for more details on the Seikoh Giken SC Connector, Multimode, 126µm (micron) Ceramic Ferrule, 900µm Aqua Boot

SC/PC 0.9mm MM

<b>SSC-PQE1G</b>	<b><u>C</u></b>	<b><u>1</u></b>	<b><u>126</u></b>	<b><u>1</u></b>	<b><u>A</u></b>	<b>306G</b>
------------------	-----------------	-----------------	-------------------	-----------------	-----------------	-------------

Housing Color		Cap	
B	Beige	A	Black Ferrule Cap
Q	Aqua	Marking	
Boot Color		1 SG	
0	No Boot	Ferrule I.D.(um)	
1	Black	126 Φ126	
2	Red	Boot I.D.(mm)	
6	Magenta	1 For Φ0.9mm buffered fiber(Rubber)	
C	White		

SC/PC 2mm SM

<b>SSC-PE2G</b>	<b><u>5</u></b>	<b><u>B</u></b>	<b><u>125</u></b>	<b><u>1</u></b>	<b><u>A</u></b>	<b>306G</b>
-----------------	-----------------	-----------------	-------------------	-----------------	-----------------	-------------

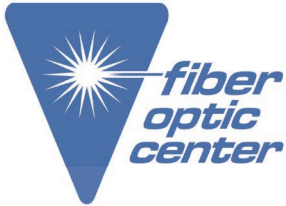
Boot Color		Cap	
1	Black	A	Black Ferrule Cap
2	Red	Marking	
5	Blue	1 SG	
C	White	Ferrule I.D.(um)	
Boot I.D.(mm)		125 Φ125	
B	For Φ2mm Cord		

**Contact the professionals at Fiber Optic Center for a quote or to get more details.**

[focenter.com](http://focenter.com) • 508-992-6464 | (800) 473-4237 • [sales@focenter.com](mailto:sales@focenter.com)

23 Centre Street • New Bedford, MA 02740 USA

Product specifications and data are subject to change without notice. FOC last update 4/20/2026.



**Manufacturer:**

Seikoh Giken

**Product Name:**

Seikoh Giken SC Connector, Multimode, 126µm (micron) Ceramic Ferrule, 900µm Aqua Boot

**Manufacturer Part Number:**

SSC-PQE1G-C11261A306G

▶ Click here for more details on the Seikoh Giken SC Connector, Multimode, 126µm (micron) Ceramic Ferrule, 900µm Aqua Boot

SC/APC (Conical) 2mm SM

<b>SSC-PNE2G</b>	<b><u>8</u></b>	<b><u>B</u></b>	<b><u>125</u></b>	<b><u>1</u></b>	<b><u>B</u></b>	<b>306G</b>
------------------	-----------------	-----------------	-------------------	-----------------	-----------------	-------------

Boot Color	
1	Black
2	Red
8	Green

Boot I.D.(mm)	
B	For $\Phi$ 2mm Cord

Cap	
B	Green Ferrule Cap

Marking	
1	SG

Ferrule I.D.(um)	
125	$\Phi$ 125
12F	$\Phi$ 125.5

SC/PC 2mm MM

<b>SSC-PBE2G</b>	<b><u>C</u></b>	<b><u>B</u></b>	<b><u>126</u></b>	<b><u>1</u></b>	<b><u>A</u></b>	<b>306G</b>
------------------	-----------------	-----------------	-------------------	-----------------	-----------------	-------------

Housing Color	
B	Beige
Q	Aqua

Boot Color	
1	Black
2	Red
6	Magenta
A	Beige
C	White

Boot I.D.(mm)	
B	For $\Phi$ 2mm Cord

Cap	
A	Black Ferrule Cap

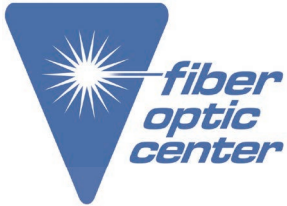
Marking	
1	SG

Ferrule I.D.(um)	
126	$\Phi$ 126

Contact the professionals at Fiber Optic Center for a quote or to get more details.

[focenter.com](http://focenter.com) • 508-992-6464 | (800) 473-4237 • [sales@focenter.com](mailto:sales@focenter.com)

23 Centre Street • New Bedford, MA 02740 USA



**Manufacturer:**

Seikoh Giken

**Product Name:**

Seikoh Giken SC Connector, Multimode, 126µm (micron) Ceramic Ferrule, 900µm Aqua Boot

**Manufacturer Part Number:**

SSC-PQE1G-C11261A306G



▶ Click here for more details on the Seikoh Giken SC Connector, Multimode, 126µm (micron) Ceramic Ferrule, 900µm Aqua Boot

SC/PC 3mm SM

<b>SSC-PE3G</b>	<b><u>5</u></b>	<b><u>C</u></b>	<b><u>125</u></b>	<b><u>1</u></b>	<b><u>A</u></b>	<b>306G</b>
-----------------	-----------------	-----------------	-------------------	-----------------	-----------------	-------------

Boot Color	
5	Blue
C	White

Cap	
A	Black Ferrule Cap

Marking	
1	SG

Boot I.D.(mm)	
C	For $\Phi$ 3mm Cord

Ferrule I.D.(µm)	
125	$\Phi$ 125

SC/APC (Conical) 3mm SM

<b>SSC-PNE3G</b>	<b><u>8</u></b>	<b><u>C</u></b>	<b><u>125</u></b>	<b><u>1</u></b>	<b><u>B</u></b>	<b>306G</b>
------------------	-----------------	-----------------	-------------------	-----------------	-----------------	-------------

Boot Color	
8	Green

Cap	
B	Green Ferrule Cap

Marking	
1	SG

Boot I.D.(mm)	
C	For $\Phi$ 3mm Cord

Ferrule I.D.(µm)	
125	$\Phi$ 125
12F	$\Phi$ 125.5

**Contact the professionals at Fiber Optic Center for a quote or to get more details.**

[focenter.com](http://focenter.com) • 508-992-6464 | (800) 473-4237 • [sales@focenter.com](mailto:sales@focenter.com)

23 Centre Street • New Bedford, MA 02740 USA

Product specifications and data are subject to change without notice. FOC last update 4/20/2026.



**Manufacturer:**

Seikoh Giken

**Product Name:**

Seikoh Giken SC Connector, Multimode,  
126µm (micron) Ceramic Ferrule, 900µm Aqua Boot

**Manufacturer Part Number:**

SSC-PQE1G-C11261A306G



▶ Click here for more details on the Seikoh Giken SC Connector, Multimode, 126µm (micron) Ceramic Ferrule, 900µm Aqua Boot

SC/PC 3mm MM

<b>SSC-P<u>B</u>E3G</b>	<b><u>C</u></b>	<b><u>C</u></b>	<b><u>126</u></b>	<b><u>1</u></b>	<b><u>A</u></b>	<b>306G</b>
-------------------------	-----------------	-----------------	-------------------	-----------------	-----------------	-------------

Housing Color
B   Beige

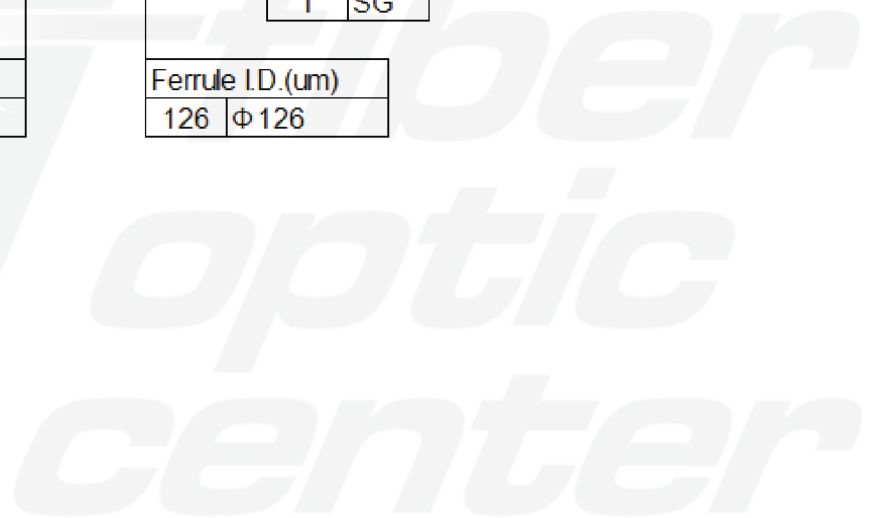
Boot Color
A   Beige

Boot I.D.(mm)
C   For Φ3mm Cord

Cap
A   Black Ferrule Cap

Marking
1   SG

Ferrule I.D.(µm)
126   Φ 126



Contact the professionals at Fiber Optic Center for a quote or to get more details.

[focenter.com](http://focenter.com) • 508-992-6464 | (800) 473-4237 • [sales@focenter.com](mailto:sales@focenter.com)

23 Centre Street • New Bedford, MA 02740 USA

Product specifications and data are subject to change without notice. FOC last update 4/20/2026.



**Manufacturer:**

Seikoh Giken

**Product Name:**

Seikoh Giken SC Connector, Multimode,  
126µm (micron) Ceramic Ferrule, 900µm Aqua Boot

**Manufacturer Part Number:**

SSC-PQE1G-C11261A306G



▶ Click here for more details on the Seikoh Giken SC Connector, Multimode, 126µm (micron) Ceramic Ferrule, 900µm Aqua Boot

3 GENERAL SPECIFICATIONS

3.1 Parts and Materials

Parts and materials are shown in Table 2, 3.

Table 2 Parts and Materials

Item	Part Name	Qty	Material	Notes
①-1	Main Body	1	See Table 3	For SC/PC
①-2				For SC/APC
②	Grip	1	PBT GF	Flammability UL94 V-0
③-1	Crimping Ring <sup>Note 2</sup>	1	Aluminum Alloy	for ø 2 mm cord
③-2				for ø 3 mm cord
④-1	Boot	1	Silicone rubber	for ø 0.9 mm buffered fiber rubber boot, Flammability UL94 V-0
④-2			TPE	for ø 2 mm cord Equivalent to Flammability UL94 V-0
④-3			TPE	for ø 3 mm cord Equivalent to Flammability UL94 V-0
⑤	Cap	1	PP	Ferrule Cap

Notes: 1 Item on Table 2 corresponds to the item reference number on Figure 1 to 15.

2 ③Crimping Ring is not included for ø 0.9 mm buffered fiber type.

Table 3 Parts and Materials of Main Body

Item	Part Name	Qty	Material	Notes
⑦	Capillary	1	Zirconia	-
⑧	Flange	1	Brass	Nickel Plating
⑨	Plug Frame	1	PBT GF	White, Flammability UL94 V-0
⑩	Spring	1	Stainless Steel	-
⑪	Stop Ring	1	Brass	Nickel Plating
⑫	Heat-shrinkable Tube	1	EVA	Black, Flammability VW-1

Note: Item on Table 3 corresponds to the item reference number on Figure 7 and 8.

**Contact the professionals at Fiber Optic Center for a quote or to get more details.**

[focenter.com](http://focenter.com) • 508-992-6464 | (800) 473-4237 • [sales@focenter.com](mailto:sales@focenter.com)

23 Centre Street • New Bedford, MA 02740 USA

Product specifications and data are subject to change without notice. FOC last update 4/20/2026.



**Manufacturer:**

Seikoh Giken

**Product Name:**

Seikoh Giken SC Connector, Multimode, 126µm (micron) Ceramic Ferrule, 900µm Aqua Boot

**Manufacturer Part Number:**

SSC-PQE1G-C11261A306G



▶ Click here for more details on the Seikoh Giken SC Connector, Multimode, 126µm (micron) Ceramic Ferrule, 900µm Aqua Boot

3.2 Physical Dimensions

Figure 1 to 6 shows the SC-0.9 and SC-2.0 and SC-3.0 series connector plug

Figure 7 and 8 shows the main body

Figure 9 to 15 shows the dimensions of the parts

- In accordance with IEC 61754-4 Type SC connector family.
- In accordance with JIS C 5973 F04 Type connectors.

3.3 General Tolerances

Permissible deviation in dimensions without tolerance indication is in accordance with ISO 2768-m (JIS B 0405-m), as shown in Table 5.

Table 5 General Tolerance (ISO 2768-m)

Basic size step [mm]		Permissible deviation [mm]
Over	Under	
0.5	3	±0.1
3	6	±0.1
6	30	±0.2
30	120	±0.3

3.4 Appearance

There should be no burr, peeling of plating or scratches that affect the product.

4 PACKING

The product is packed to prevent damage during shipment.

5 IDENTIFICATION

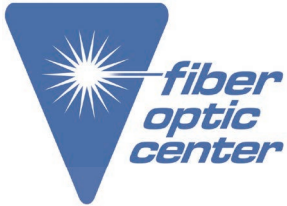
Identification label should indicate the part number and the lot number of the product(s) and should be permanently attached to the packing bag.

**Contact the professionals at Fiber Optic Center for a quote or to get more details.**

[focenter.com](http://focenter.com) • 508-992-6464 | (800) 473-4237 • [sales@focenter.com](mailto:sales@focenter.com)

23 Centre Street • New Bedford, MA 02740 USA

Product specifications and data are subject to change without notice. FOC last update 4/20/2026.



**Manufacturer:**

Seikoh Giken

**Product Name:**

Seikoh Giken SC Connector, Multimode,  
126µm (micron) Ceramic Ferrule, 900µm Aqua Boot

**Manufacturer Part Number:**

SSC-PQE1G-C11261A306G



Learn More

▶ [Click here for more details on the Seikoh Giken SC Connector, Multimode, 126µm \(micron\) Ceramic Ferrule, 900µm Aqua Boot](#)

## 6 HANDLING AND CARE

### 6.1 Conditions of Storage

For storage of the product, keep in the packing bag and keep away from corrosive gas, high-temperature and humidity, extreme-low temperature and direct sunlight.

### 6.2 Precautions for Use

Contamination, oil, sweat and others debris on the ferrule end face may influence the performance of the product. If contamination is on the ferrule end face, wipe the end face with the end face cleaner.

### 6.3 Disposal

When discarding this product, please follow the regulations of your own country.

*Fiber  
optic  
center*

**Contact the professionals at Fiber Optic Center for a quote or to get more details.**

[focenter.com](http://focenter.com) • 508-992-6464 | (800) 473-4237 • [sales@focenter.com](mailto:sales@focenter.com)

23 Centre Street • New Bedford, MA 02740 USA

Product specifications and data are subject to change without notice. FOC last update 4/20/2026.



**Manufacturer:**

Seikoh Giken

**Product Name:**

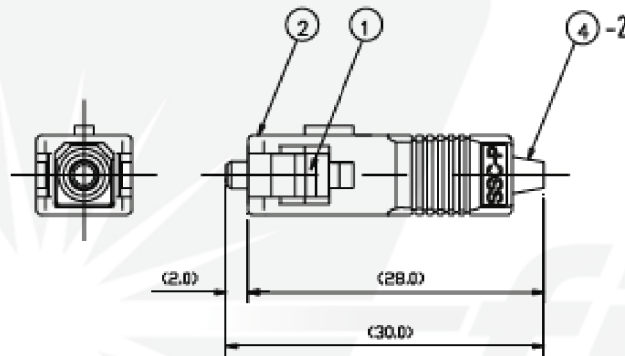
Seikoh Giken SC Connector, Multimode,  
126µm (micron) Ceramic Ferrule, 900µm Aqua Boot

**Manufacturer Part Number:**

SSC-PQE1G-C11261A306G

▶ [Click here for more details on the Seikoh Giken SC Connector, Multimode, 126µm \(micron\) Ceramic Ferrule, 900µm Aqua Boot](#)

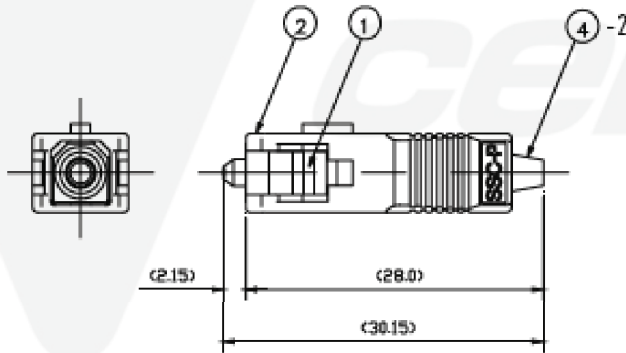
7 FIGURE



Unit: mm

Figure 1 GS-SC/PC Series Connector Plug (for ø 0.9 mm buffered fiber, rubber boot)

- Notes: 1 This drawing shows the tentatively assembled condition.  
On practical shipment of GS-SC/PC connector plug, this tentative assembly is not available.
- 2 This drawing does not include the cap.



Unit: mm

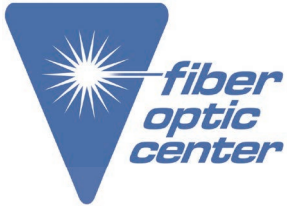
Figure 2 GS-SC/APC Series Connector Plug (for ø 0.9 mm buffered fiber, rubber boot)

- Notes: 1 This drawing shows the tentatively assembled condition.  
On practical shipment of GS-SC/APC connector plug, this tentative assembly is not available.
- 2 This drawing does not include the cap.

**Contact the professionals at Fiber Optic Center for a quote or to get more details.**

[focenter.com](http://focenter.com) • 508-992-6464 | (800) 473-4237 • [sales@focenter.com](mailto:sales@focenter.com)

23 Centre Street • New Bedford, MA 02740 USA



**Manufacturer:**

Seikoh Giken

**Product Name:**

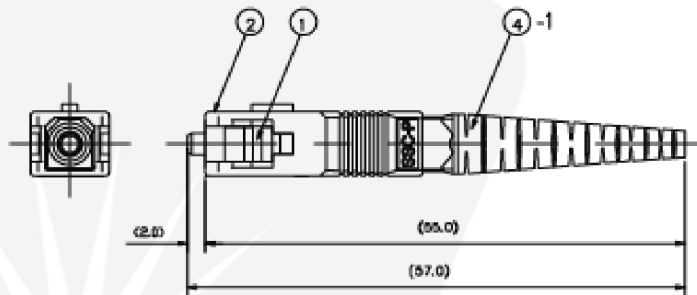
Seikoh Giken SC Connector, Multimode,  
126µm (micron) Ceramic Ferrule, 900µm Aqua Boot

**Manufacturer Part Number:**

SSC-PQE1G-C11261A306G



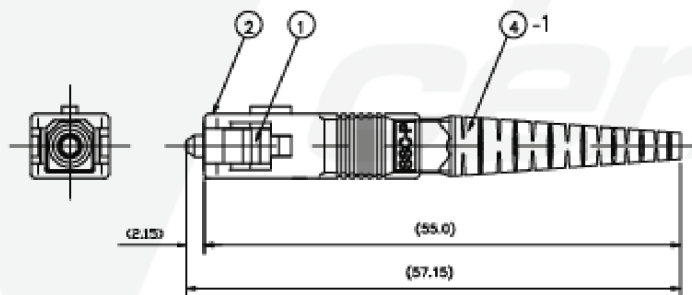
▶ Click here for more details on the Seikoh Giken SC Connector, Multimode, 126µm (micron) Ceramic Ferrule, 900µm Aqua Boot



Unit: mm

Figure 3 GS-SC/PC Series Connector Plug (for ø 2 mm cord)

- Notes: 1 This drawing shows the tentatively assembled condition.  
On practical shipment of GS-SC/PC connector plug, this tentative assembly is not available.  
2 This drawing does not include the cap.



Unit: mm

Figure 4 GS-SC/APC Series Connector Plug (for ø 2 mm cord)

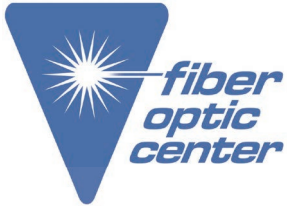
- Notes: 1 This drawing shows the tentatively assembled condition.  
On practical shipment of GS-SC/APC connector plug, this tentative assembly is not available.  
2 This drawing does not include the cap.

Contact the professionals at Fiber Optic Center for a quote or to get more details.

[focenter.com](http://focenter.com) • 508-992-6464 | (800) 473-4237 • [sales@focenter.com](mailto:sales@focenter.com)

23 Centre Street • New Bedford, MA 02740 USA

Product specifications and data are subject to change without notice. FOC last update 4/20/2026.



**Manufacturer:**

Seikoh Giken

**Product Name:**

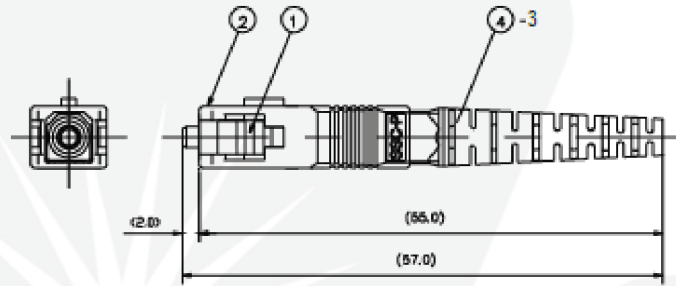
Seikoh Giken SC Connector, Multimode,  
126µm (micron) Ceramic Ferrule, 900µm Aqua Boot

**Manufacturer Part Number:**

SSC-PQE1G-C11261A306G



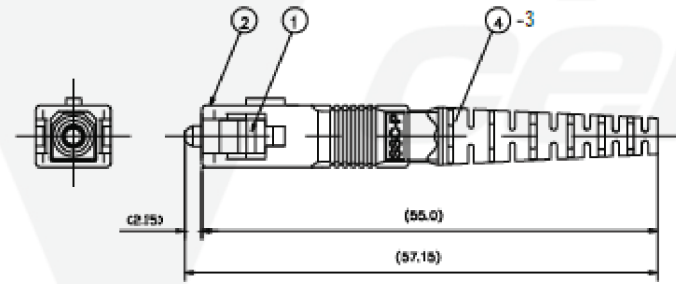
▶ Click here for more details on the Seikoh Giken SC Connector, Multimode, 126µm (micron) Ceramic Ferrule, 900µm Aqua Boot



Unit: mm

Figure 5 GS-SC/PC Series Connector Plug (for ø 3 mm cord)

- Notes: 1 This drawing shows the tentatively assembled condition.  
On practical shipment of GS-SC/PC connector plug, this tentative assembly is not available.
- 2 This drawing does not include the cap.



Unit: mm

Figure 6 GS-SC/APC Series Connector Plug (for ø 3 mm cord)

- Notes: 1 This drawing shows the tentatively assembled condition.  
On practical shipment of GS-SC/APC connector plug, this tentative assembly is not available.
- 2 This drawing does not include the cap.

**Contact the professionals at Fiber Optic Center for a quote or to get more details.**

[focenter.com](http://focenter.com) • 508-992-6464 | (800) 473-4237 • [sales@focenter.com](mailto:sales@focenter.com)

23 Centre Street • New Bedford, MA 02740 USA

Product specifications and data are subject to change without notice. FOC last update 4/20/2026.



**Manufacturer:**

Seikoh Giken

**Product Name:**

Seikoh Giken SC Connector, Multimode,  
126µm (micron) Ceramic Ferrule, 900µm Aqua Boot

**Manufacturer Part Number:**

SSC-PQE1G-C11261A306G

▶ [Click here for more details on the Seikoh Giken SC Connector, Multimode, 126µm \(micron\) Ceramic Ferrule, 900µm Aqua Boot](#)

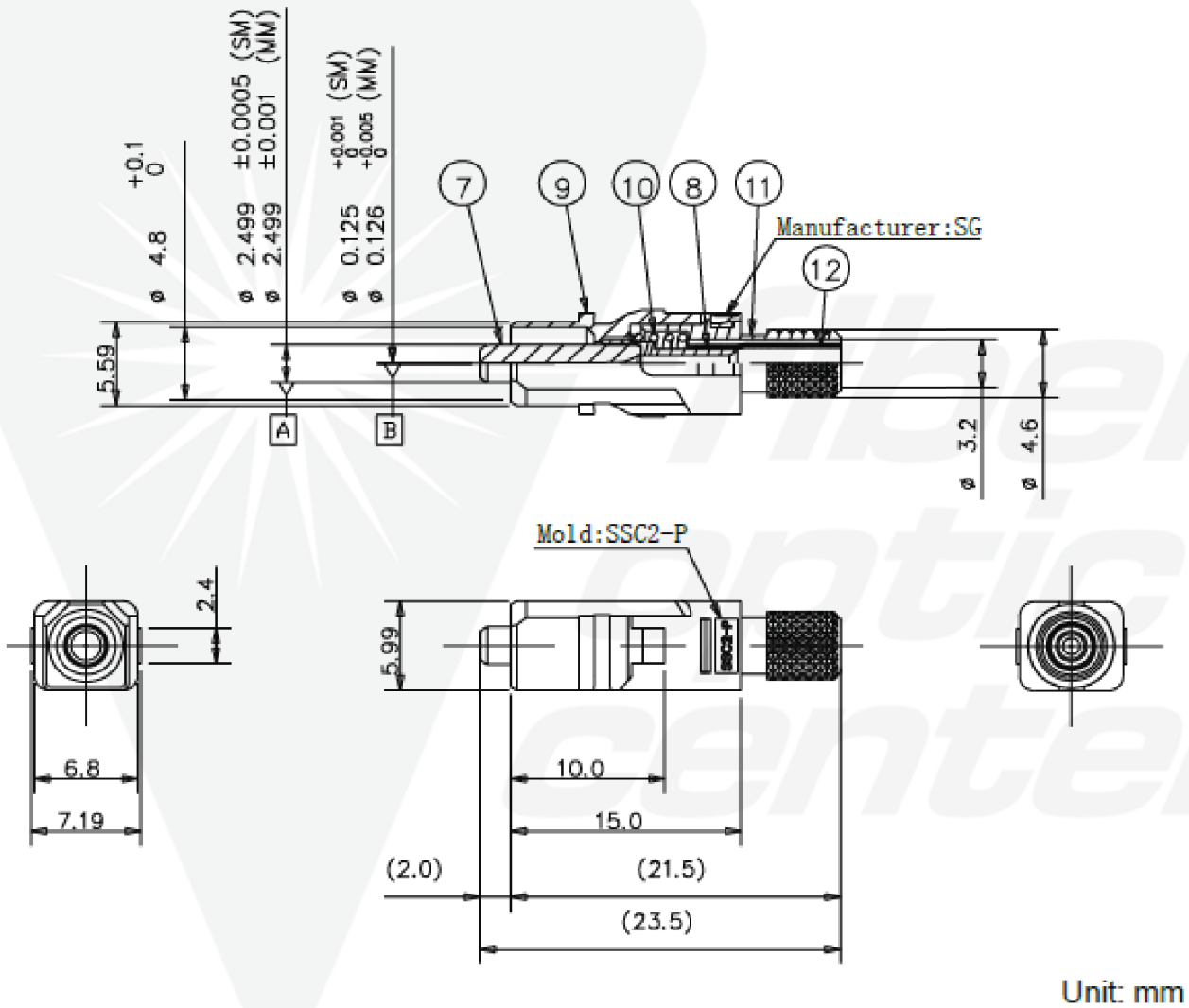


Figure 7 ①-1 Main Body(for SC/PC)

Contact the professionals at Fiber Optic Center for a quote or to get more details.

[focenter.com](http://focenter.com) • 508-992-6464 | (800) 473-4237 • [sales@focenter.com](mailto:sales@focenter.com)

23 Centre Street • New Bedford, MA 02740 USA

Product specifications and data are subject to change without notice. FOC last update 4/20/2026.



**Manufacturer:**

Seikoh Giken

**Product Name:**

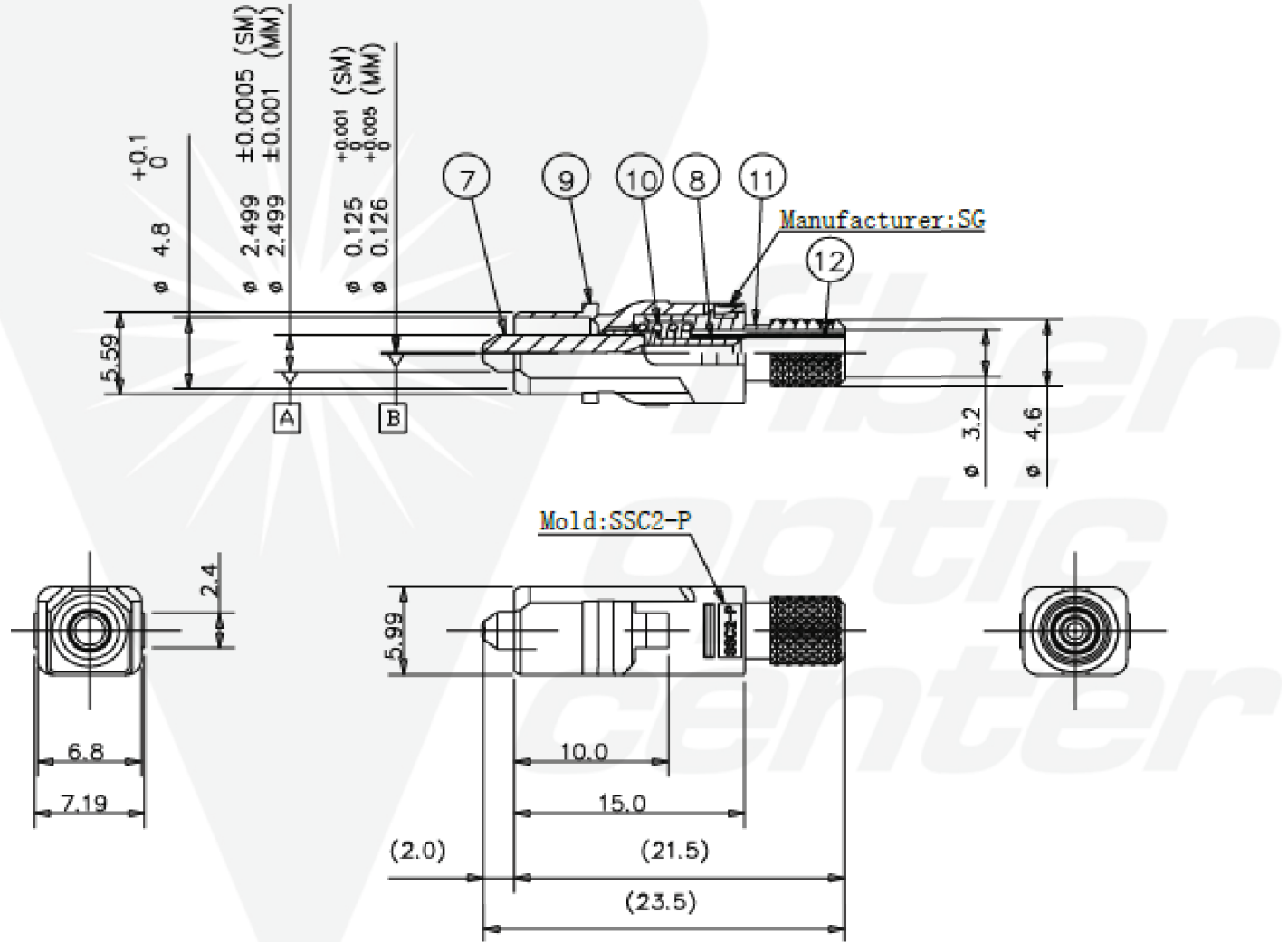
Seikoh Giken SC Connector, Multimode,  
126µm (micron) Ceramic Ferrule, 900µm Aqua Boot

**Manufacturer Part Number:**

SSC-PQE1G-C11261A306G



▶ [Click here for more details on the Seikoh Giken SC Connector, Multimode, 126µm \(micron\) Ceramic Ferrule, 900µm Aqua Boot](#)



Unit: mm

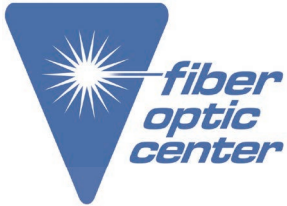
Figure 8 ①-2 Main Body(for SC/APC)

Contact the professionals at Fiber Optic Center for a quote or to get more details.

[focenter.com](http://focenter.com) • 508-992-6464 | (800) 473-4237 • [sales@focenter.com](mailto:sales@focenter.com)

23 Centre Street • New Bedford, MA 02740 USA

Product specifications and data are subject to change without notice. FOC last update 4/20/2026.



**Manufacturer:**

Seikoh Giken

**Product Name:**

Seikoh Giken SC Connector, Multimode,  
126µm (micron) Ceramic Ferrule, 900µm Aqua Boot

**Manufacturer Part Number:**

SSC-PQE1G-C11261A306G



▶ Click here for more details on the Seikoh Giken SC Connector, Multimode, 126µm (micron) Ceramic Ferrule, 900µm Aqua Boot

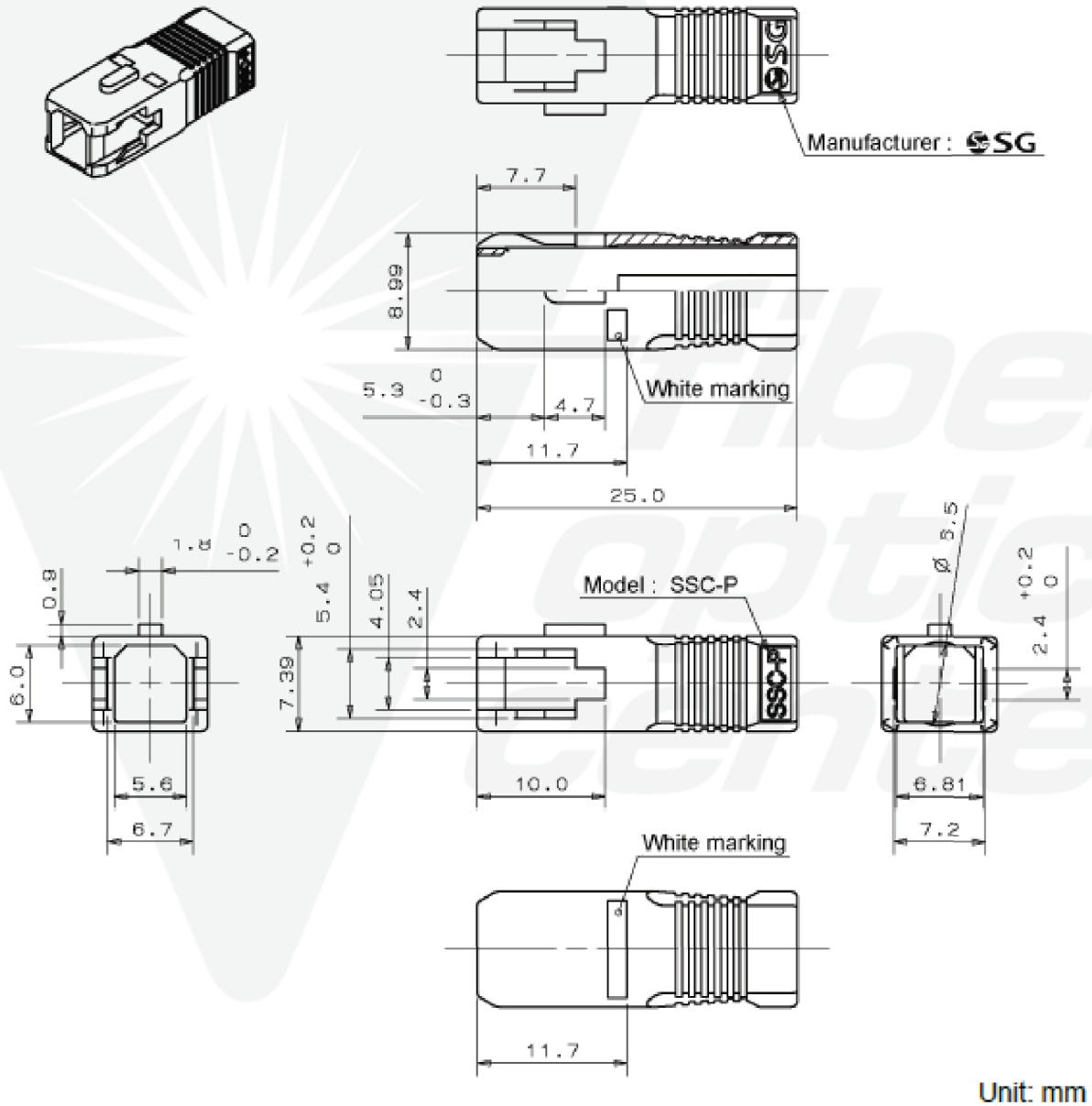


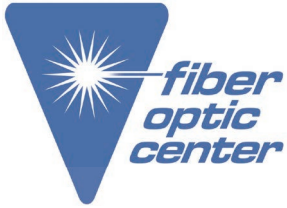
Figure 9 @Grip

Contact the professionals at Fiber Optic Center for a quote or to get more details.

[focenter.com](http://focenter.com) • 508-992-6464 | (800) 473-4237 • [sales@focenter.com](mailto:sales@focenter.com)

23 Centre Street • New Bedford, MA 02740 USA

Product specifications and data are subject to change without notice. FOC last update 4/20/2026.



**Manufacturer:**

Seikoh Giken

**Product Name:**

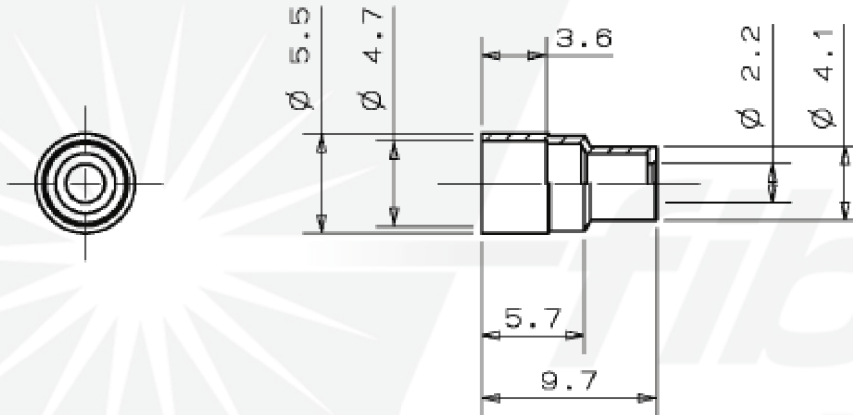
Seikoh Giken SC Connector, Multimode,  
126µm (micron) Ceramic Ferrule, 900µm Aqua Boot

**Manufacturer Part Number:**

SSC-PQE1G-C11261A306G

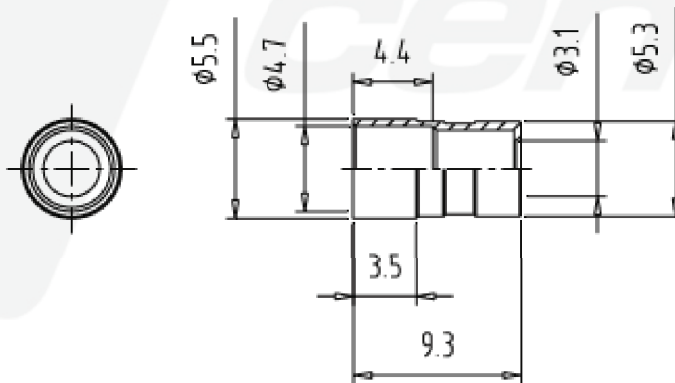


▶ Click here for more details on the Seikoh Giken SC Connector, Multimode, 126µm (micron) Ceramic Ferrule, 900µm Aqua Boot



Unit: mm

Figure 10 ③-1 Crimping Ring (for ø 2 mm cord)



Unit: mm

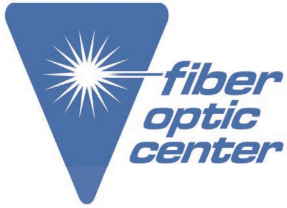
Figure 11 ③-2 Crimping Ring (for ø 3 mm cord)

Contact the professionals at Fiber Optic Center for a quote or to get more details.

[focenter.com](http://focenter.com) • 508-992-6464 | (800) 473-4237 • [sales@focenter.com](mailto:sales@focenter.com)

23 Centre Street • New Bedford, MA 02740 USA

Product specifications and data are subject to change without notice. FOC last update 4/20/2026.



**Manufacturer:**

Seikoh Giken

**Product Name:**

Seikoh Giken SC Connector, Multimode,  
126µm (micron) Ceramic Ferrule, 900µm Aqua Boot

**Manufacturer Part Number:**

SSC-PQE1G-C11261A306G



▶ Click here for more details on the Seikoh Giken SC Connector, Multimode, 126µm (micron) Ceramic Ferrule, 900µm Aqua Boot

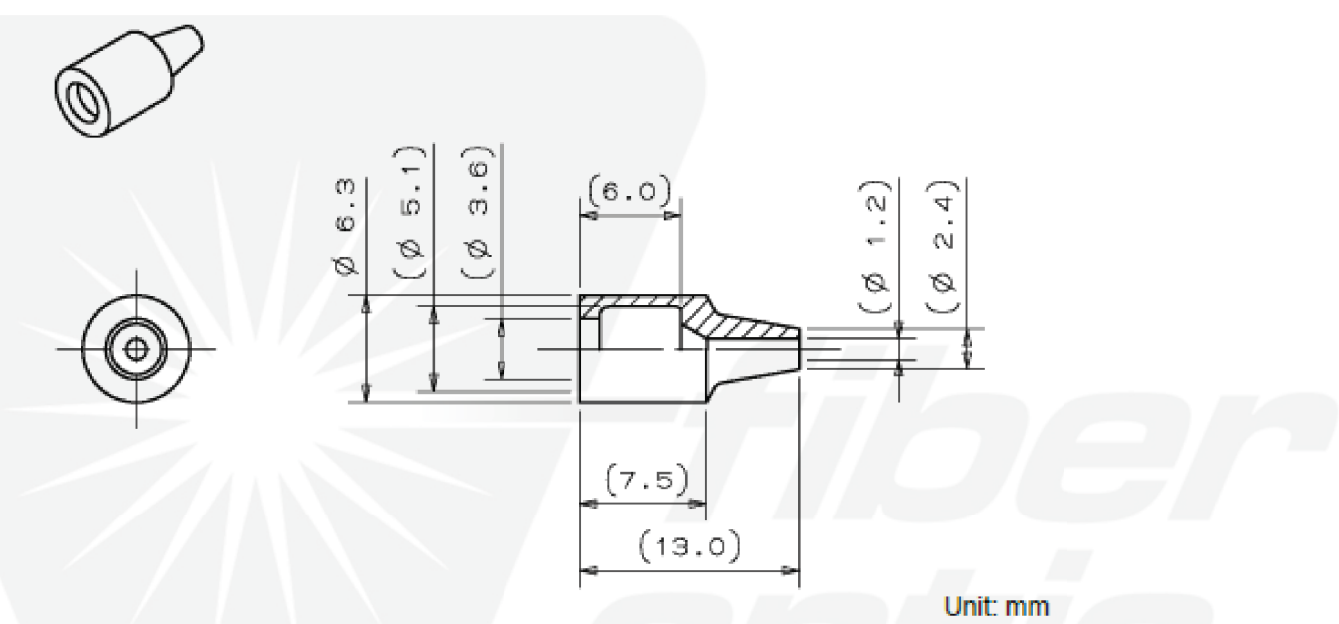


Figure 12 ⓐ-1 Boot (for ø 0.9 mm buffered fiber, rubber boot)

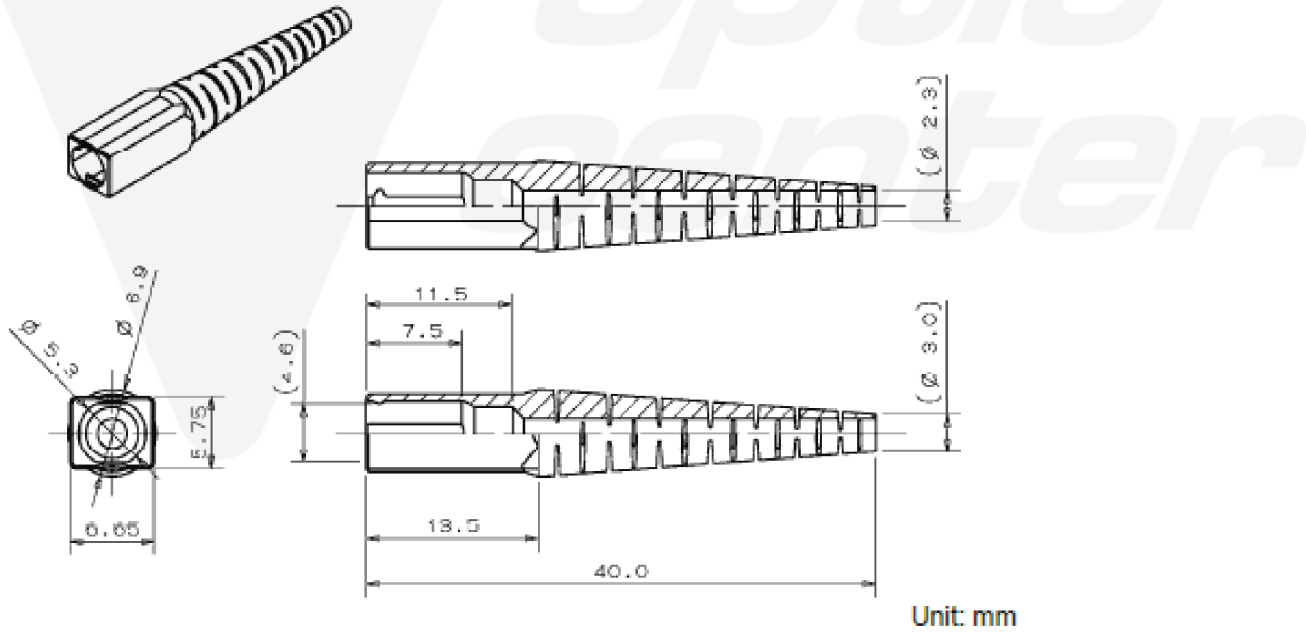


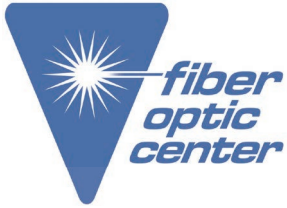
Figure 13 ⓐ-2 Boot (for ø 2 mm cord)

Contact the professionals at Fiber Optic Center for a quote or to get more details.

[focenter.com](http://focenter.com) • 508-992-6464 | (800) 473-4237 • [sales@focenter.com](mailto:sales@focenter.com)

23 Centre Street • New Bedford, MA 02740 USA

Product specifications and data are subject to change without notice. FOC last update 4/20/2026.



**Manufacturer:**

Seikoh Giken

**Product Name:**

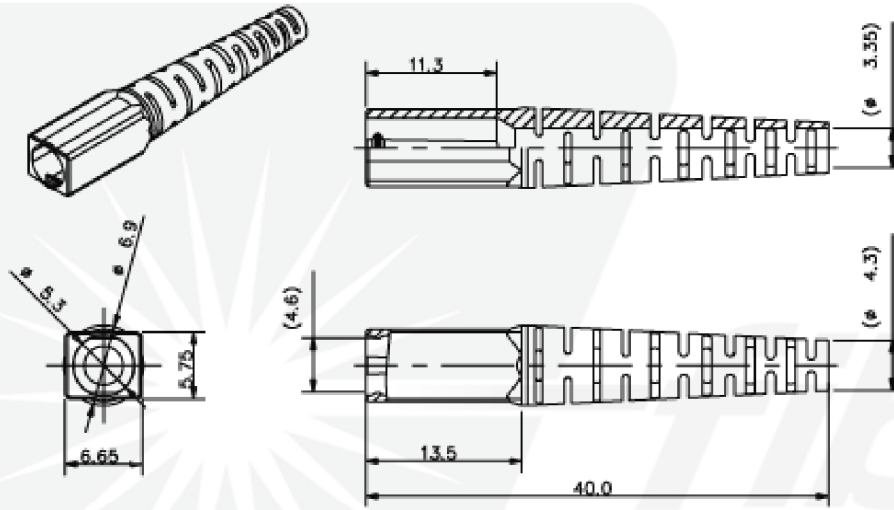
Seikoh Giken SC Connector, Multimode,  
126µm (micron) Ceramic Ferrule, 900µm Aqua Boot

**Manufacturer Part Number:**

SSC-PQE1G-C11261A306G

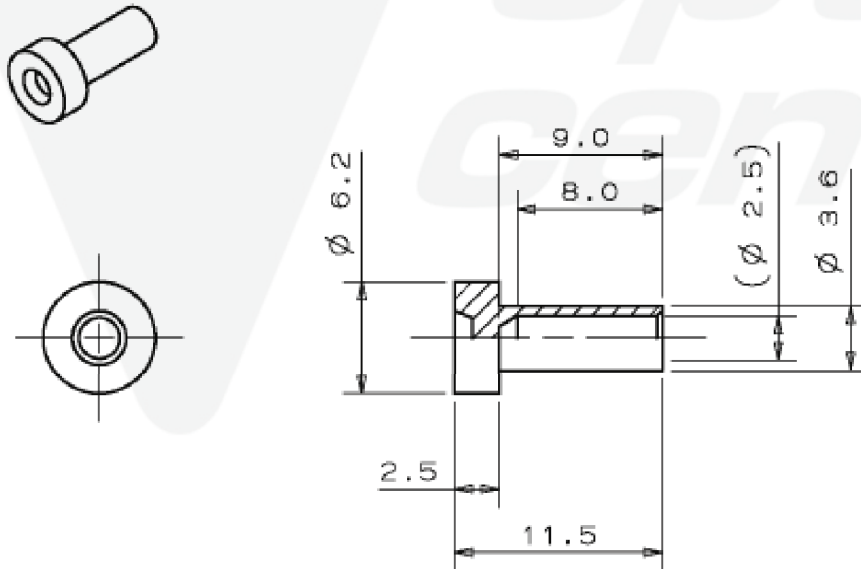


▶ Click here for more details on the Seikoh Giken SC Connector, Multimode, 126µm (micron) Ceramic Ferrule, 900µm Aqua Boot



Unit: mm

Figure 14 ④-3 Boot (for ø 3 mm cord)



Unit: mm

Figure 15 ⑤Cap (Ferrule Cap)

Contact the professionals at Fiber Optic Center for a quote or to get more details.

[focenter.com](http://focenter.com) • 508-992-6464 | (800) 473-4237 • [sales@focenter.com](mailto:sales@focenter.com)

23 Centre Street • New Bedford, MA 02740 USA

Product specifications and data are subject to change without notice. FOC last update 4/20/2026.