



**Manufacturer:**

Seikoh Giken

**Product Name:**

Seikoh Giken SSC-PNE SC Connector, APC, Singlemode, 126µm (micron) Ceramic Ferrule, 3mm Green Boot

**Manufacturer Part Number:**

SSC-PNE8C1261B300G



Learn More

▶ [Click here for more details on the Seikoh Giken SSC-PNE SC Connector, APC, Singlemode, 126µm \(micron\) Ceramic Ferrule, 3mm Green Boot](#)

DOCUMENT NUMBER S05-H200-02E

**SSC-PNE Series**  
**Single mode**  
**SC CONNECTOR PLUG**  
- for Angled-PC, Conical Shape -  
**TECHNICAL SPECIFICATIONS**



**Contact the professionals at Fiber Optic Center for a quote or to get more details.**

[focenter.com](http://focenter.com) • 508-992-6464 | (800) 473-4237 • [sales@focenter.com](mailto:sales@focenter.com)

23 Centre Street • New Bedford, MA 02740 USA

Product specifications and data are subject to change without notice. FOC last update 3/5/2026.



**Manufacturer:**

Seikoh Giken

**Product Name:**

Seikoh Giken SSC-PNE SC Connector, APC, Singlemode, 126µm (micron) Ceramic Ferrule, 3mm Green Boot

**Manufacturer Part Number:**

SSC-PNE8C1261B300G

▶ Click here for more details on the Seikoh Giken SSC-PNE SC Connector, APC, Singlemode, 126µm (micron) Ceramic Ferrule, 3mm Green Boot

**S05-H200-02E  
SSC-PNE Series**

**SSC-PNE Series Single mode SC CONNECTOR PLUG - for Angled-PC, Conical Shape -  
TECHNICAL SPECIFICATIONS**

NCD-69B8-01	September	1996
NCD-69B8-02	July	1999
NCD-69B8-03	April	2000
S05-H049-01E	July	2006
S05-H049-02E	January	2010
S05-H200-01E	January	2023
S05-H200-02E	August	2023

Copyright © 1996 - 2023 by SEIKOH GIKEN Co.,Ltd.  
All right reserved.

The information contained herein shall not be reproduced or disclosed to any third party without the express written consent of SEIKOH GIKEN Co., Ltd.  
The specifications contained herein are subject to change without notice.

**Contact the professionals at Fiber Optic Center for a quote or to get more details.**

[focenter.com](http://focenter.com) • 508-992-6464 | (800) 473-4237 • [sales@focenter.com](mailto:sales@focenter.com)

23 Centre Street • New Bedford, MA 02740 USA

Product specifications and data are subject to change without notice. FOC last update 3/5/2026.



**Manufacturer:**

Seikoh Giken

**Product Name:**

Seikoh Giken SSC-PNE SC Connector, APC, Singlemode, 126µm (micron) Ceramic Ferrule, 3mm Green Boot

**Manufacturer Part Number:**

SSC-PNE8C1261B300G



▶ Click here for more details on the Seikoh Giken SSC-PNE SC Connector, APC, Singlemode, 126µm (micron) Ceramic Ferrule, 3mm Green Boot

S05-H200-02E  
SSC-PNE Series

TABLE OF CONTENTS

Section	Page
1 SCOPE .....	1
2 PART NUMBER .....	1
3 GENERAL SPECIFICATIONS .....	2
3.1 Parts and Materials .....	2
3.2 Physical Dimensions .....	3
3.3 General Tolerances .....	3
3.4 Appearance .....	3
4 PACKING .....	3
5 IDENTIFICATION .....	3
6 HANDLING AND CARE .....	4
6.1 Conditions of Storage .....	4
6.2 Precautions for Use .....	4
6.3 Disposal .....	4

Table

Table 1 Part Number .....	1
Table 2 Parts and Materials .....	2
Table 3 Parts and Materials of Main Body .....	2
Table 4 Physical Specifications .....	3
Table 5 General Tolerance (ISO 2768-m) .....	3

Figure

Figure 1 SSC-PNE Series Connector Plug (for ø 3 mm cord) .....	5
Figure 2 SSC-PNE Series Connector Plug (for ø 2 mm cord) .....	6
Figure 3 SSC-PNE Series Connector Plug (for ø 0.9 mm buffered fiber) .....	7
Figure 4 SSC-PNE Series Connector Plug (for ø 0.9 mm buffered fiber, rubber boot) .....	8
Figure 5 Main Body .....	9
Figure 6 to 14 Dimensions of Parts .....	10 to 14



Contact the professionals at Fiber Optic Center for a quote or to get more details.

[focenter.com](http://focenter.com) • 508-992-6464 | (800) 473-4237 • [sales@focenter.com](mailto:sales@focenter.com)

23 Centre Street • New Bedford, MA 02740 USA

Product specifications and data are subject to change without notice. FOC last update 3/5/2026.



**Manufacturer:**

Seikoh Giken

**Product Name:**

Seikoh Giken SSC-PNE SC Connector, APC, Singlemode, 126µm (micron) Ceramic Ferrule, 3mm Green Boot

**Manufacturer Part Number:**

SSC-PNE8C1261B300G

Click here for more details on the Seikoh Giken SSC-PNE SC Connector, APC, Singlemode, 126µm (micron) Ceramic Ferrule, 3mm Green Boot

S05-H200-02E  
SSC-PNE Series

1 SCOPE

These specifications apply to the SSC-PNE series single mode SC connector plug - for angled-PC, conical shape - supplied by SEIKOH GIKEN Co., Ltd.

2 PART NUMBER

Part number of the connector plug is shown in Table 1.

Table 1 Part Number

MODEL Number		TYPE Number										
SSC-PNE		8	C	1	2	5	1	B	3	0	0	G
<b>Boot Color</b>		<b>Auxiliary digit</b>										
8 Green		0 0 G										
<b>Boot I.D. [mm]</b>		<b>Package</b>										
1	for ø 0.9 buffered fiber (Rubber)	3 Bulk Package										
9	for ø 0.9 buffered fiber (Plastic)											
B	for ø 2 cord											
C	for ø 3 cord											
<b>Ferrule I.D. [µm]</b>		<b>Cap</b>										
1 2 5	ø 125	0 No cap										
1 2 6	ø 126	B Green ferrule cap										
		H Black dust cap										
<b>Marking of Grip</b>												
1	SG / SSC-P											

Please contact us for availability of other specifications.

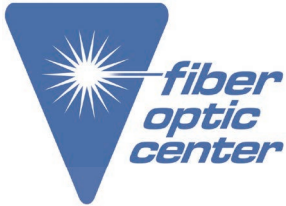


Contact the professionals at Fiber Optic Center for a quote or to get more details.

[focenter.com](http://focenter.com) • 508-992-6464 | (800) 473-4237 • [sales@focenter.com](mailto:sales@focenter.com)

23 Centre Street • New Bedford, MA 02740 USA

Product specifications and data are subject to change without notice. FOC last update 3/5/2026.



**Manufacturer:**

Seikoh Giken

**Product Name:**

Seikoh Giken SSC-PNE SC Connector, APC, Singlemode, 126µm (micron) Ceramic Ferrule, 3mm Green Boot

**Manufacturer Part Number:**

SSC-PNE8C1261B300G



▶ Click here for more details on the Seikoh Giken SSC-PNE SC Connector, APC, Singlemode, 126µm (micron) Ceramic Ferrule, 3mm Green Boot

S05-H200-02E  
SSC-PNE Series

3 GENERAL SPECIFICATIONS

3.1 Parts and Materials

Parts and materials are shown in Table 2.

Table 2 Parts and Materials

Item	Part Name	Qty	Material	Notes
①	Main body	1	See Table 3	See Table 3
②	Grip	1	PBT GF	Green, Flammability UL94 V-0
③-1	Crimping ring <sup>Note 2</sup>	1	Aluminum alloy	for ø 3 mm cord
③-2				for ø 2 mm cord
④-1	Boot	1	TPEE	for ø 3 mm cord
④-2				Green, Flammability UL94 V-0
④-3				for ø 2 mm cord
④-4				Green, Flammability UL94 V-0
④-3	Silicone	1	Silicone	for ø 0.9 mm buffered fiber
④-4				Green, Flammability UL94 V-0
⑤-1	Cap	1	PP	Ferrule cap, Green
⑤-2			PBT-GF	Dust cap, Black Flammability UL94 V-0 equivalent

Notes: 1 Item on Table 2 corresponds to the item reference number on Figure 1 to 14.

2 ③Crimping ring is not included for ø 0.9 mm buffered fiber type.

Table 3 Parts and Materials of Main Body

Item	Part Name	Qty	Material	Notes
⑦	Capillary	1	Zirconia	Conical shape
⑧	Flange	1	Brass	Nickel plating
⑨	Plug frame	1	PBT GF	White, Flammability UL94 V-0
⑩	Spring	1	Stainless steel	-
⑪	Stop ring	1	Brass	Nickel plating

Note: Item on Table 3 corresponds to the item reference number on Figure 5.

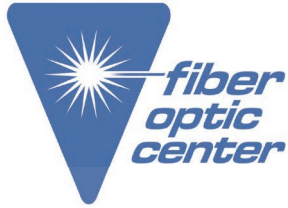


Contact the professionals at Fiber Optic Center for a quote or to get more details.

[focenter.com](http://focenter.com) • 508-992-6464 | (800) 473-4237 • [sales@focenter.com](mailto:sales@focenter.com)

23 Centre Street • New Bedford, MA 02740 USA

Product specifications and data are subject to change without notice. FOC last update 3/5/2026.



**Manufacturer:**

Seikoh Giken

**Product Name:**

Seikoh Giken SSC-PNE SC Connector, APC, Singlemode, 126µm (micron) Ceramic Ferrule, 3mm Green Boot

**Manufacturer Part Number:**

SSC-PNE8C1261B300G



▶ Click here for more details on the Seikoh Giken SSC-PNE SC Connector, APC, Singlemode, 126µm (micron) Ceramic Ferrule, 3mm Green Boot

S05-H200-02E  
SSC-PNE Series

3.2 Physical Dimensions

Figure 1 to 4 show the SSC-PNE series connector plugs.  
Figure 5 shows the main body.  
Figure 6 to 14 show the dimensions of the parts.  
Table 4 shows the physical specifications of the SSC-PNE series connector plug.  
· In accordance with IEC 61754-4 Type SC connector family.  
· In accordance with JIS C 5973 F04 Type connectors.

Table 4 Physical Specifications

Items	Part Number	Specifications	Remarks
Diameter (ø d)	SSC-PNE **125**300G	ø 0.125 mm	-
	SSC-PNE **126**300G	ø 0.126 mm	-

3.3 General Tolerances

Permissible deviation in dimensions without tolerance indication is in accordance with ISO 2768-m (JIS B 0405-m), as shown in Table 5.

Table 5 General Tolerance (ISO 2768-m)

Basic size step [mm]		Permissible deviation [mm]
Over	Under	
0.5	3	±0.1
3	6	±0.1
6	30	±0.2
30	120	±0.3

3.4 Appearance

There should be no burr, peeling of plating or scratches that affect the product.

4 PACKING

The product is packed to prevent damage during shipment.

5 IDENTIFICATION

Identification label should indicate the part number and the lot number of the product(s) and should be permanently attached to the packing bag.

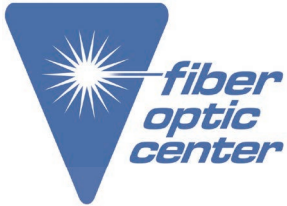


Contact the professionals at Fiber Optic Center for a quote or to get more details.

[focenter.com](http://focenter.com) • 508-992-6464 | (800) 473-4237 • [sales@focenter.com](mailto:sales@focenter.com)

23 Centre Street • New Bedford, MA 02740 USA

Product specifications and data are subject to change without notice. FOC last update 3/5/2026.



**Manufacturer:**

Seikoh Giken

**Product Name:**

Seikoh Giken SSC-PNE SC Connector, APC, Singlemode, 126µm (micron) Ceramic Ferrule, 3mm Green Boot

**Manufacturer Part Number:**

SSC-PNE8C1261B300G



▶ [Click here for more details on the Seikoh Giken SSC-PNE SC Connector, APC, Singlemode, 126µm \(micron\) Ceramic Ferrule, 3mm Green Boot](#)

S05-H200-02E  
SSC-PNE Series

6 HANDLING AND CARE

6.1 Conditions of Storage

For storage of the product, keep in the packing bag and keep away from corrosive gas, high-temperature and humidity, extreme-low temperature and direct sunlight.

6.2 Precautions for Use

Contamination, oil, sweat and others debris on the ferrule end face may influence the performance of the product. If contamination is on the ferrule end face, wipe the end face with the end face cleaner.

6.3 Disposal

When discarding this product, please follow the regulations of your own country.



**Contact the professionals at Fiber Optic Center for a quote or to get more details.**

[focenter.com](http://focenter.com) • 508-992-6464 | (800) 473-4237 • [sales@focenter.com](mailto:sales@focenter.com)

23 Centre Street • New Bedford, MA 02740 USA

Product specifications and data are subject to change without notice. FOC last update 3/5/2026.



**Manufacturer:**

Seikoh Giken

**Product Name:**

Seikoh Giken SSC-PNE SC Connector, APC, Singlemode, 126µm (micron) Ceramic Ferrule, 3mm Green Boot

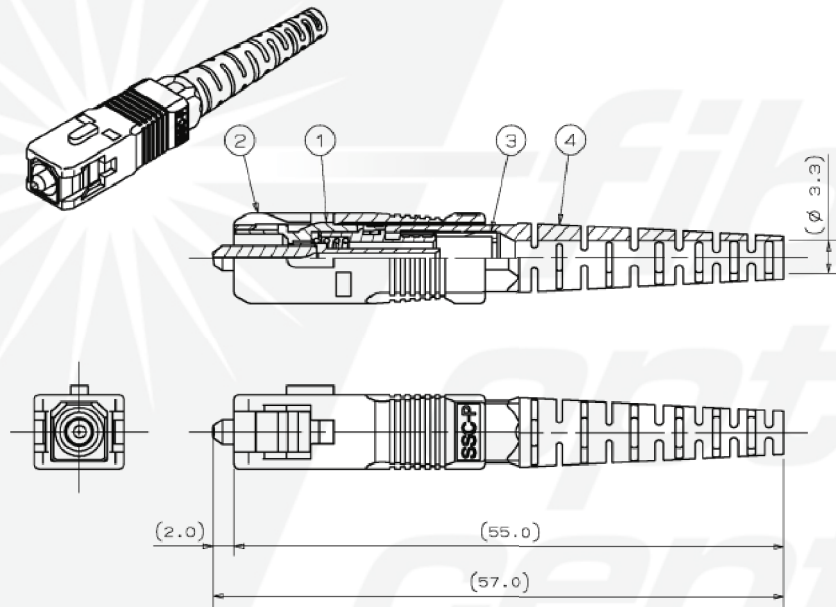
**Manufacturer Part Number:**

SSC-PNE8C1261B300G



▶ Click here for more details on the Seikoh Giken SSC-PNE SC Connector, APC, Singlemode, 126µm (micron) Ceramic Ferrule, 3mm Green Boot

S05-H200-02E  
SSC-PNE Series



- Notes: 1 This drawing shows the tentatively assembled condition. On practical shipment of SSC-PNE connector plug, this tentative assembly is not available.  
2 This drawing does not include the cap.

Unit: mm

Figure 1 SSC-PNE Series Connector Plug (for ø 3 mm cord)

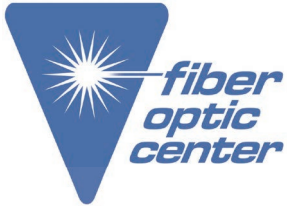


Contact the professionals at Fiber Optic Center for a quote or to get more details.

[focenter.com](http://focenter.com) • 508-992-6464 | (800) 473-4237 • [sales@focenter.com](mailto:sales@focenter.com)

23 Centre Street • New Bedford, MA 02740 USA

Product specifications and data are subject to change without notice. FOC last update 3/5/2026.



**Manufacturer:**

Seikoh Giken

**Product Name:**

Seikoh Giken SSC-PNE SC Connector, APC, Singlemode, 126µm (micron) Ceramic Ferrule, 3mm Green Boot

**Manufacturer Part Number:**

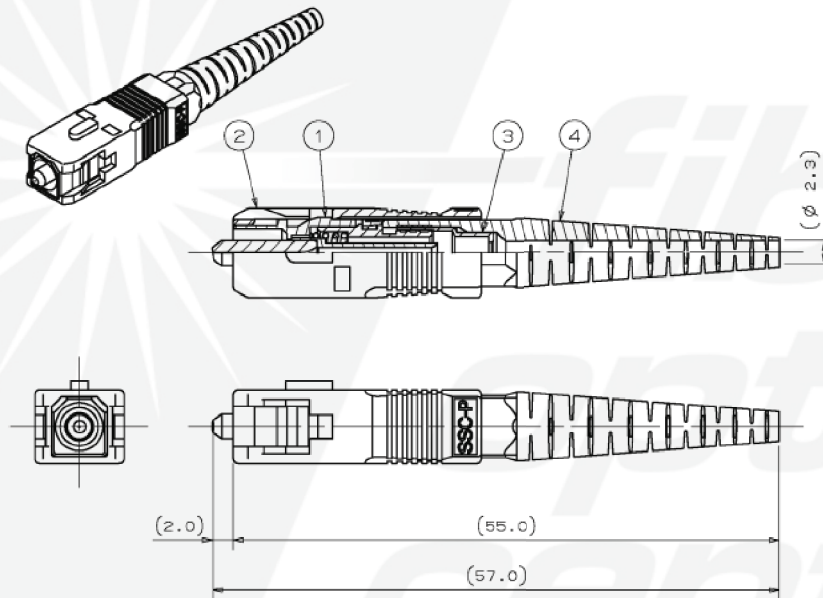
SSC-PNE8C1261B300G



Learn More

▶ Click here for more details on the Seikoh Giken SSC-PNE SC Connector, APC, Singlemode, 126µm (micron) Ceramic Ferrule, 3mm Green Boot

S05-H200-02E  
SSC-PNE Series



- Notes: 1 This drawing shows the tentatively assembled condition.  
On practical shipment of SSC-PNE connector plug, this tentative assembly is not available.  
2 This drawing does not include the cap.

Unit: mm

Figure 2 SSC-PNE Series Connector Plug (for ø 2 mm cord)

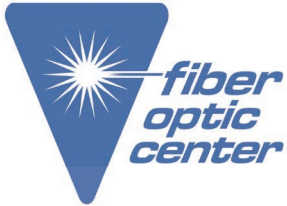


Contact the professionals at Fiber Optic Center for a quote or to get more details.

[focenter.com](http://focenter.com) • 508-992-6464 | (800) 473-4237 • [sales@focenter.com](mailto:sales@focenter.com)

23 Centre Street • New Bedford, MA 02740 USA

Product specifications and data are subject to change without notice. FOC last update 3/5/2026.



**Manufacturer:**

Seikoh Giken

**Product Name:**

Seikoh Giken SSC-PNE SC Connector, APC, Singlemode, 126µm (micron) Ceramic Ferrule, 3mm Green Boot

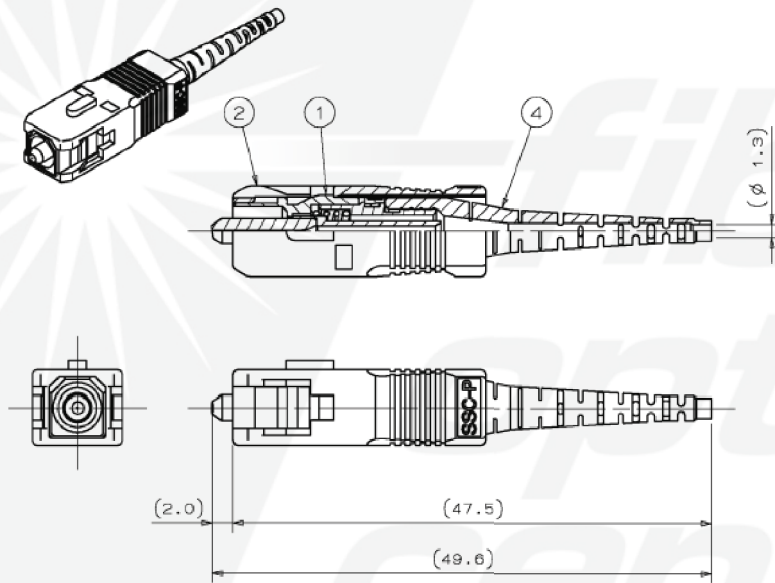
**Manufacturer Part Number:**

SSC-PNE8C1261B300G



▶ Click here for more details on the Seikoh Giken SSC-PNE SC Connector, APC, Singlemode, 126µm (micron) Ceramic Ferrule, 3mm Green Boot

S05-H200-02E  
SSC-PNE Series



- Notes: 1 This drawing shows the tentatively assembled condition.  
On practical shipment of SSC-PNE connector plug, this tentative assembly is not available.  
2 This drawing does not include the cap.

Unit: mm

Figure 3 SSC-PNE Series Connector Plug (for ∅ 0.9 mm buffered fiber)

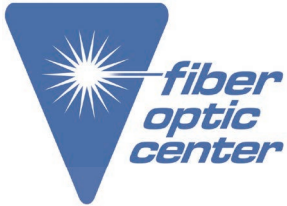


Contact the professionals at Fiber Optic Center for a quote or to get more details.

[focenter.com](http://focenter.com) • 508-992-6464 | (800) 473-4237 • [sales@focenter.com](mailto:sales@focenter.com)

23 Centre Street • New Bedford, MA 02740 USA

Product specifications and data are subject to change without notice. FOC last update 3/5/2026.



**Manufacturer:**

Seikoh Giken

**Product Name:**

Seikoh Giken SSC-PNE SC Connector, APC, Singlemode, 126µm (micron) Ceramic Ferrule, 3mm Green Boot

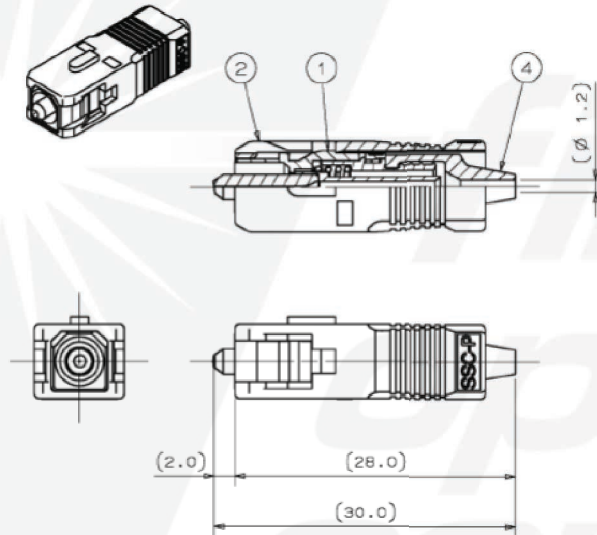
**Manufacturer Part Number:**

SSC-PNE8C1261B300G



▶ Click here for more details on the Seikoh Giken SSC-PNE SC Connector, APC, Singlemode, 126µm (micron) Ceramic Ferrule, 3mm Green Boot

S05-H200-02E  
SSC-PNE Series



- Notes: 1 This drawing shows the tentatively assembled condition.  
On practical shipment of SSC-PNE connector plug, this tentative assembly is not available.  
2 This drawing does not include the cap.

Unit: mm

Figure 4 SSC-PNE Series Connector Plug (for  $\varnothing$  0.9 mm buffered fiber, rubber boot)



Contact the professionals at Fiber Optic Center for a quote or to get more details.

[focenter.com](http://focenter.com) • 508-992-6464 | (800) 473-4237 • [sales@focenter.com](mailto:sales@focenter.com)

23 Centre Street • New Bedford, MA 02740 USA

Product specifications and data are subject to change without notice. FOC last update 3/5/2026.



**Manufacturer:**

Seikoh Giken

**Product Name:**

Seikoh Giken SSC-PNE SC Connector, APC, Singlemode, 126µm (micron) Ceramic Ferrule, 3mm Green Boot

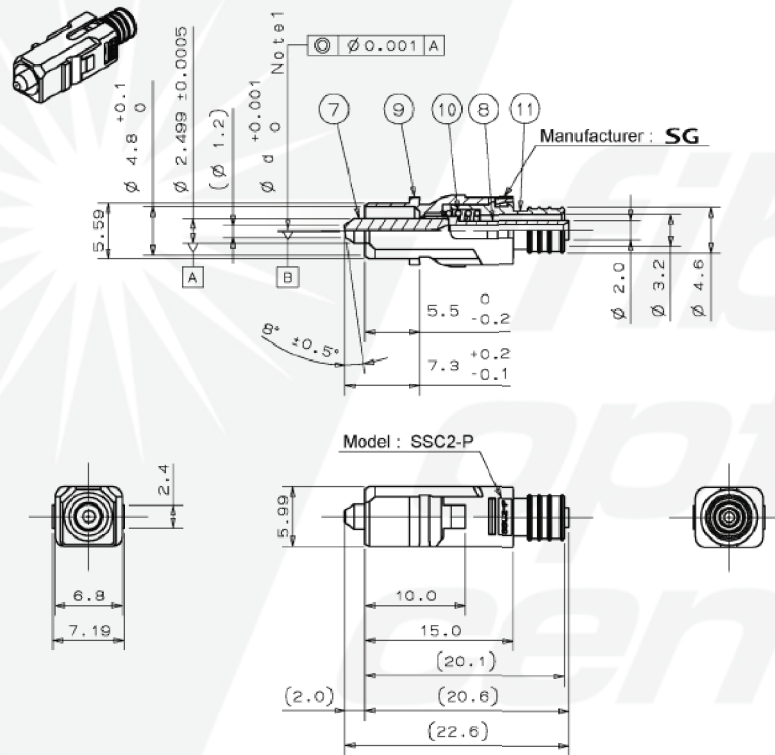
**Manufacturer Part Number:**

SSC-PNE8C1261B300G



▶ Click here for more details on the Seikoh Giken SSC-PNE SC Connector, APC, Singlemode, 126µm (micron) Ceramic Ferrule, 3mm Green Boot

S05-H200-02E  
SSC-PNE Series



Note 1 Diameter ( $\phi d$ ) differs according to the part number shown in Table 4.

Unit: mm

Figure 5 Ⓞ Main Body



Contact the professionals at Fiber Optic Center for a quote or to get more details.

[focenter.com](http://focenter.com) • 508-992-6464 | (800) 473-4237 • [sales@focenter.com](mailto:sales@focenter.com)

23 Centre Street • New Bedford, MA 02740 USA

Product specifications and data are subject to change without notice. FOC last update 3/5/2026.





**Manufacturer:**

Seikoh Giken

**Product Name:**

Seikoh Giken SSC-PNE SC Connector, APC, Singlemode, 126µm (micron) Ceramic Ferrule, 3mm Green Boot

**Manufacturer Part Number:**

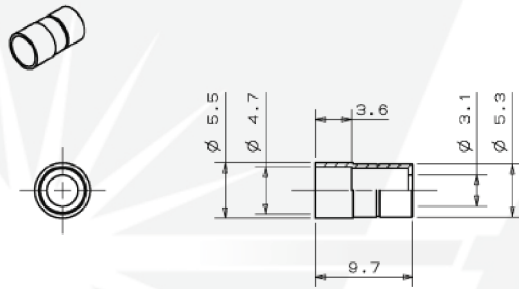
SSC-PNE8C1261B300G



Learn More

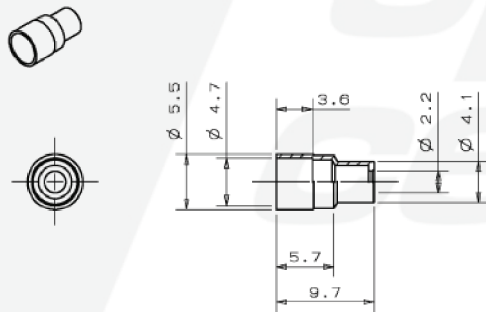
▶ Click here for more details on the Seikoh Giken SSC-PNE SC Connector, APC, Singlemode, 126µm (micron) Ceramic Ferrule, 3mm Green Boot

S05-H200-02E  
SSC-PNE Series



Unit: mm

Figure 7 ③-1 Crimping Ring (for ø 3 mm cord)



Unit: mm

Figure 8 ③-2 Crimping Ring (for ø 2 mm cord)



Contact the professionals at Fiber Optic Center for a quote or to get more details.

[focenter.com](http://focenter.com) • 508-992-6464 | (800) 473-4237 • [sales@focenter.com](mailto:sales@focenter.com)

23 Centre Street • New Bedford, MA 02740 USA

Product specifications and data are subject to change without notice. FOC last update 3/5/2026.



**Manufacturer:**

Seikoh Giken

**Product Name:**

Seikoh Giken SSC-PNE SC Connector, APC, Singlemode, 126µm (micron) Ceramic Ferrule, 3mm Green Boot

**Manufacturer Part Number:**

SSC-PNE8C1261B300G



▶ Click here for more details on the Seikoh Giken SSC-PNE SC Connector, APC, Singlemode, 126µm (micron) Ceramic Ferrule, 3mm Green Boot

S05-H200-02E  
SSC-PNE Series

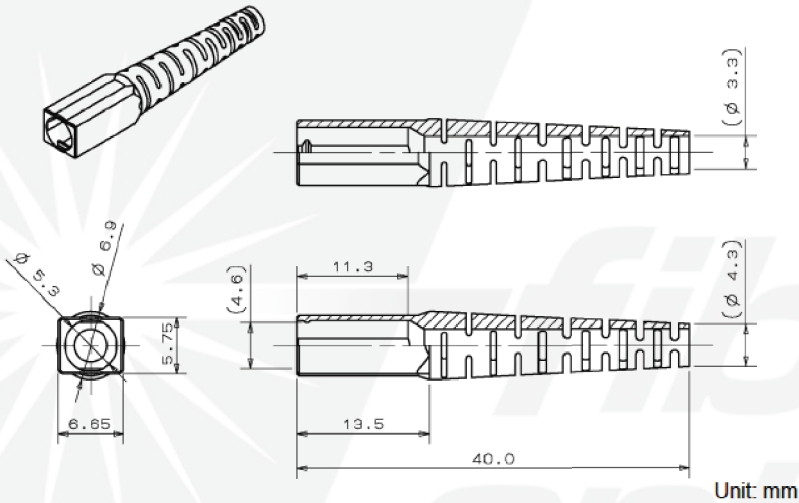


Figure 9 ④-1 Boot (for ø 3 mm cord)

Unit: mm

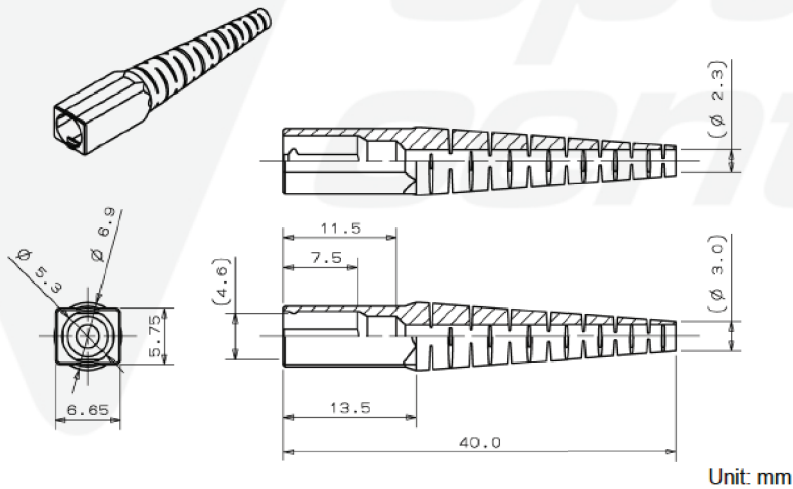


Figure 10 ④-2 Boot (for ø 2 mm cord)

Unit: mm



Contact the professionals at Fiber Optic Center for a quote or to get more details.

[focenter.com](http://focenter.com) • 508-992-6464 | (800) 473-4237 • [sales@focenter.com](mailto:sales@focenter.com)

23 Centre Street • New Bedford, MA 02740 USA

Product specifications and data are subject to change without notice. FOC last update 3/5/2026.



**Manufacturer:**

Seikoh Giken

**Product Name:**

Seikoh Giken SSC-PNE SC Connector, APC, Singlemode, 126µm (micron) Ceramic Ferrule, 3mm Green Boot

**Manufacturer Part Number:**

SSC-PNE8C1261B300G



▶ Click here for more details on the Seikoh Giken SSC-PNE SC Connector, APC, Singlemode, 126µm (micron) Ceramic Ferrule, 3mm Green Boot

S05-H200-02E  
SSC-PNE Series

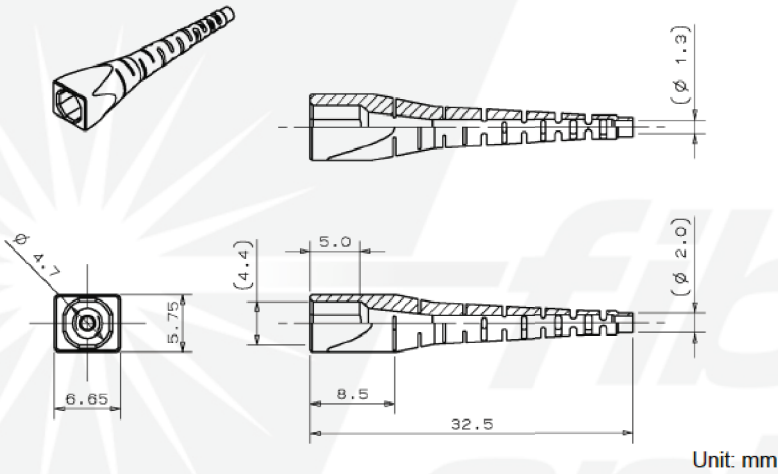


Figure 11 ④-3 Boot (for ø 0.9 mm buffered fiber)

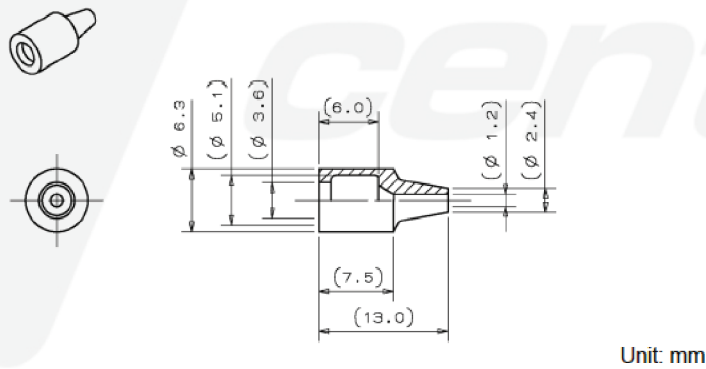


Figure 12 ④-4 Boot (for ø 0.9 mm buffered fiber, rubber boot)



Contact the professionals at Fiber Optic Center for a quote or to get more details.

[focenter.com](http://focenter.com) • 508-992-6464 | (800) 473-4237 • [sales@focenter.com](mailto:sales@focenter.com)

23 Centre Street • New Bedford, MA 02740 USA

Product specifications and data are subject to change without notice. FOC last update 3/5/2026.



**Manufacturer:**

Seikoh Giken

**Product Name:**

Seikoh Giken SSC-PNE SC Connector, APC, Singlemode, 126µm (micron) Ceramic Ferrule, 3mm Green Boot

**Manufacturer Part Number:**

SSC-PNE8C1261B300G



▶ Click here for more details on the Seikoh Giken SSC-PNE SC Connector, APC, Singlemode, 126µm (micron) Ceramic Ferrule, 3mm Green Boot

S05-H200-02E  
SSC-PNE Series

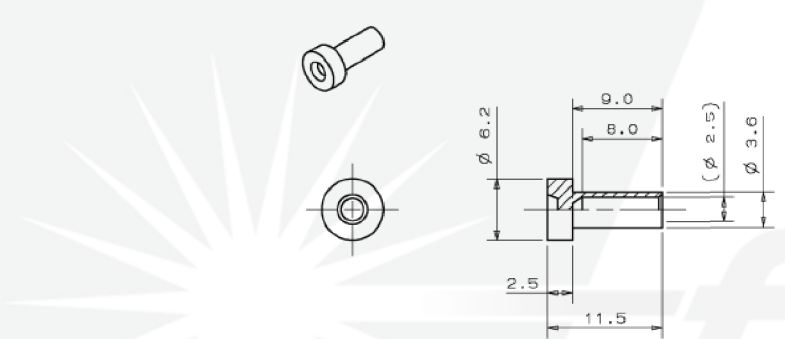


Figure 13 ⑥-1 Cap (Ferrule cap)

Unit: mm

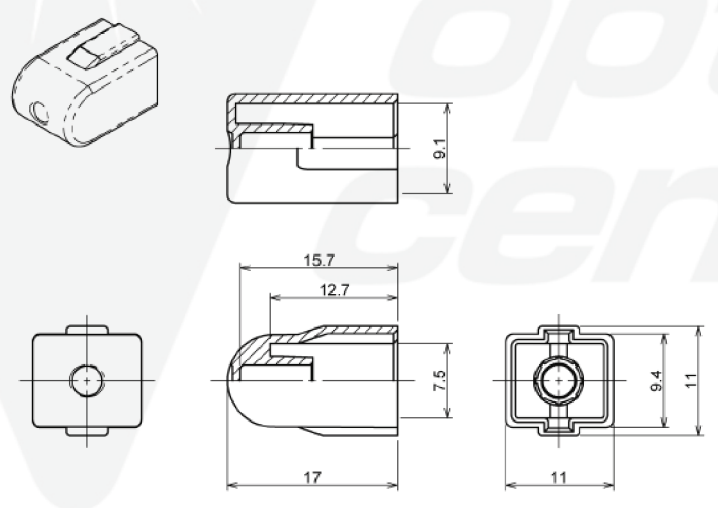


Figure 14 ⑥-2 Cap (Dust cap)

Unit: mm



Contact the professionals at Fiber Optic Center for a quote or to get more details.

[focenter.com](http://focenter.com) • 508-992-6464 | (800) 473-4237 • [sales@focenter.com](mailto:sales@focenter.com)

23 Centre Street • New Bedford, MA 02740 USA

Product specifications and data are subject to change without notice. FOC last update 3/5/2026.