



Manufacturer:
Amphenol Fiber Optic Products

Product Name:
Amphenol FC Connector, Singlemode, APC, 125.5µm (micron)
Ceramic Conical Ferrule, 2mm Boot - Tunable

Manufacturer Part Number:
944-603-53392G



▶ [Click here for more details on the Amphenol FC Connector, Singlemode, APC, 125.5µm \(micron\) Ceramic Conical Ferrule, 2mm Boot - Tunable](#)

FC Connectors and Adapters

(Ferrule Connector)



Amphenol's 944 Series fiber optic FC connectors effectively terminate optical fiber in a variety of network applications. The connectors are secured using a threaded coupling nut, providing a significant increase in retention force. The FC connectors also feature an internal cavity and epoxy injection tube that virtually eliminates the possibility of improper epoxy application, thus providing higher manufacturing yields.

Every aspect of the connector system is precision manufactured to produce reliable and consistent performance. The FC connector is available in tunable or non-tunable PC versions for flexibility in specific performance requirements. The FC/APC connector system features a tight-fit keyway that prohibits the possible mis-mating between FC/PC and FC/APC connectors.

Typical Applications:

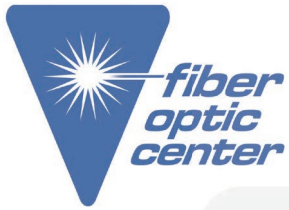
- ▶ Telecommunications networks
- ▶ Monitoring systems
- ▶ Data centers
- ▶ Test and measurement equipment
- ▶ Industrial environments with high vibrations

Primary Advantages:

- ▶ Threaded design ensures a robust connection, ideal for high-vibration environments
- ▶ Provides efficient signal transmission with minimal loss
- ▶ Ceramic ferrule ensures precise fiber alignment for consistent optical performance

Contact the professionals at Fiber Optic Center for a quote or to get more details.

23 Centre Street • New Bedford, MA 02740 USA • focenter.com • 508-992-6464 • (800) 473-4237 • sales@focenter.com



Manufacturer:
Amphenol Fiber Optic Products

Product Name:
Amphenol FC Connector, Singlemode, APC, 125.5µm (micron)
Ceramic Conical Ferrule, 2mm Boot - Tunable

Manufacturer Part Number:
944-603-53392G



▶ [Click here for more details on the Amphenol FC Connector, Singlemode, APC, 125.5µm \(micron\) Ceramic Conical Ferrule, 2mm Boot - Tunable](#)



Features and Benefits:

- ▶ One-piece construction
- ▶ Non-optical disconnect feature prevents signal loss
- ▶ Teflon tube ensures clean epoxy injection
- ▶ Zirconia ferrules minimize insertion and return loss
- ▶ Available in singlemode, angled singlemode, and multimode
- ▶ Options for 900µm, 2.0mm, or 3.0mm boots
- ▶ Tunable versions available
- ▶ Stainless steel ferrules option
- ▶ IEC 61 compliant

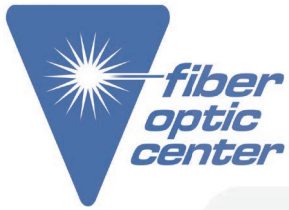
Meets QA Standards:

REACH 240 Compliant
RoHS Certificate of Compliance



Contact the professionals at Fiber Optic Center for a quote or to get more details.

23 Centre Street • New Bedford, MA 02740 USA • focenter.com • 508-992-6464 • (800) 473-4237 • sales@focenter.com



Manufacturer:
Amphenol Fiber Optic Products

Product Name:
Amphenol FC Connector, Singlemode, APC, 125.5µm (micron)
Ceramic Conical Ferrule, 2mm Boot - Tunable

Manufacturer Part Number:
944-603-53392G



▶ [Click here for more details on the Amphenol FC Connector, Singlemode, APC, 125.5µm \(micron\) Ceramic Conical Ferrule, 2mm Boot - Tunable](#)

FC Connectors

Part Number	Description	Ferrule Size	Ferrule Tolerance	Mode	Ferrule Material	Body Material	Nut Material	Insertion Loss	Return Loss	Recommended Cable Diameter	Boot Color	Sterilization
944-601-53293B	FC Connector	125.5 µm	+4,-0 µm	SM	Zirconia	Stainless Steel	Nickel Plated Brass	.15 dB	55 dB	3mm	Black	ETO, Autoclave
944-603-53393G	FC/APC Connector- Conical Ferrule	125.5 µm	+4,-0 µm	SM	Zirconia	Stainless Steel	Nickel Plated Brass	.3 db	65 dB	3 mm	Green	ETO, Autoclave
944-601-53202B	FC Connector	128 µm	+1,-0 µm	MM	Zirconia	Stainless Steel	Nickel Plated Brass	.35 dB	N/A	2 mm	Black	ETO, Autoclave
944-601-53292B	FC Connector	125.5 µm	+4,-0 µm	SM	Zirconia	Stainless Steel	Nickel Plated Brass	.15 dB	55 dB	2 mm	Black	ETO, Autoclave
944-603-53392G	FC/APC Connector- Conical Ferrule	125.5 µm	+4,-0 µm	SM	Zirconia	Stainless Steel	Nickel Plated Brass	.3 dB	65 dB	2mm	Green	ETO, Autoclave
944-601-53209B	FC Connector	128 µm	+1,-0 µm	MM	Zirconia	Stainless Steel	Nickel Plated Brass	.35 dB	N/A	900 µm	Black	ETO, Autoclave
944-601-53299B	FC Connector	125.5 µm	+4,-0 µm	SM	Zirconia	Stainless Steel	Nickel Plated Brass	.15 dB	55 dB	900 µm	Black	ETO, Autoclave
944-603-53399G	FC/APC Connector- Conical Ferrule	125.5 µm	+4,-0 µm	SM	Zirconia	Stainless Steel	Nickel Plated Brass	.3 dB	65 dB	900 µm	Green	ETO, Autoclave

FC Adapters

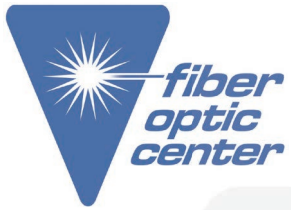
Part Number	Description	Body Material	Mode	Alignment Sleeve Material	Flange Type
944-120-6000	FC Simplex Adapter	Metal	SM	Zirconia	Square, Screw-mount
944-125-6003	FC Simplex Adapter	Metal	SM	Zirconia	Feed-Through, D Hole
944-125-6004	FC/APC Simplex Adapter, Tight Keyway	Metal	SM	Zirconia	Feed-Through, D Hole

FC Accessories

Part Number	Description
944-120-1014	FC Dust Cap with Chain, Coupling Nut with Cap
944-1023	FC Captive Dust Cap

Contact the professionals at Fiber Optic Center for a quote or to get more details.

23 Centre Street • New Bedford, MA 02740 USA • focenter.com • 508-992-6464 • (800) 473-4237 • sales@focenter.com



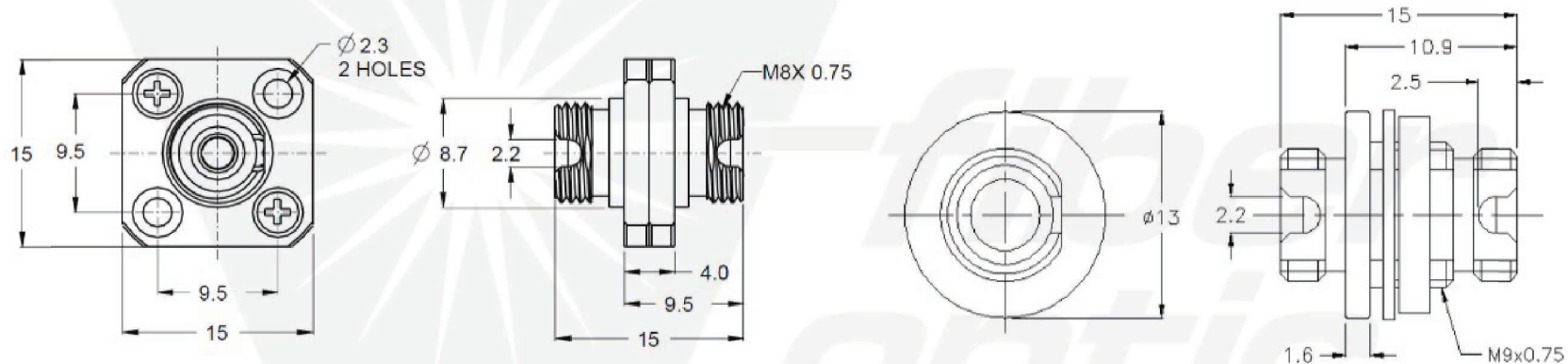
Manufacturer:
Amphenol Fiber Optic Products

Product Name:
Amphenol FC Connector, Singlemode, APC, 125.5µm (micron)
Ceramic Conical Ferrule, 2mm Boot - Tunable

Manufacturer Part Number:
944-603-53392G



▶ [Click here for more details on the Amphenol FC Connector, Singlemode, APC, 125.5µm \(micron\) Ceramic Conical Ferrule, 2mm Boot - Tunable](#)



FC Square Adapter Screw Mount

FC D-Hole Adapter



Contact the professionals at Fiber Optic Center for a quote or to get more details.

23 Centre Street • New Bedford, MA 02740 USA • focenter.com • 508-992-6464 • (800) 473-4237 • sales@focenter.com