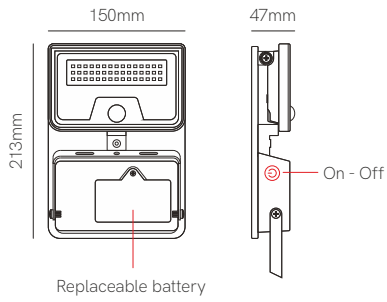


Sky solar sensor



Technical Information

Power	8W
Installation	Surface
Color Temperature	4.000K
Lumens	1.600 lm
Material	Polycarbonate
Finishes	White / Black
Code	<input type="checkbox"/> 5572 <input checked="" type="checkbox"/> 5573



3 YEARS WARRANTY | 2 YEARS WARRANTY | 30.000 HOURS | 9 HOURS | 10% 12H. 100% 2H. | 4.000 mAh | IP 54 | CRI ≥80 | 120° | 4-6m | PIR SENSOR | ON OFF | +45°C -20°C | 1/20