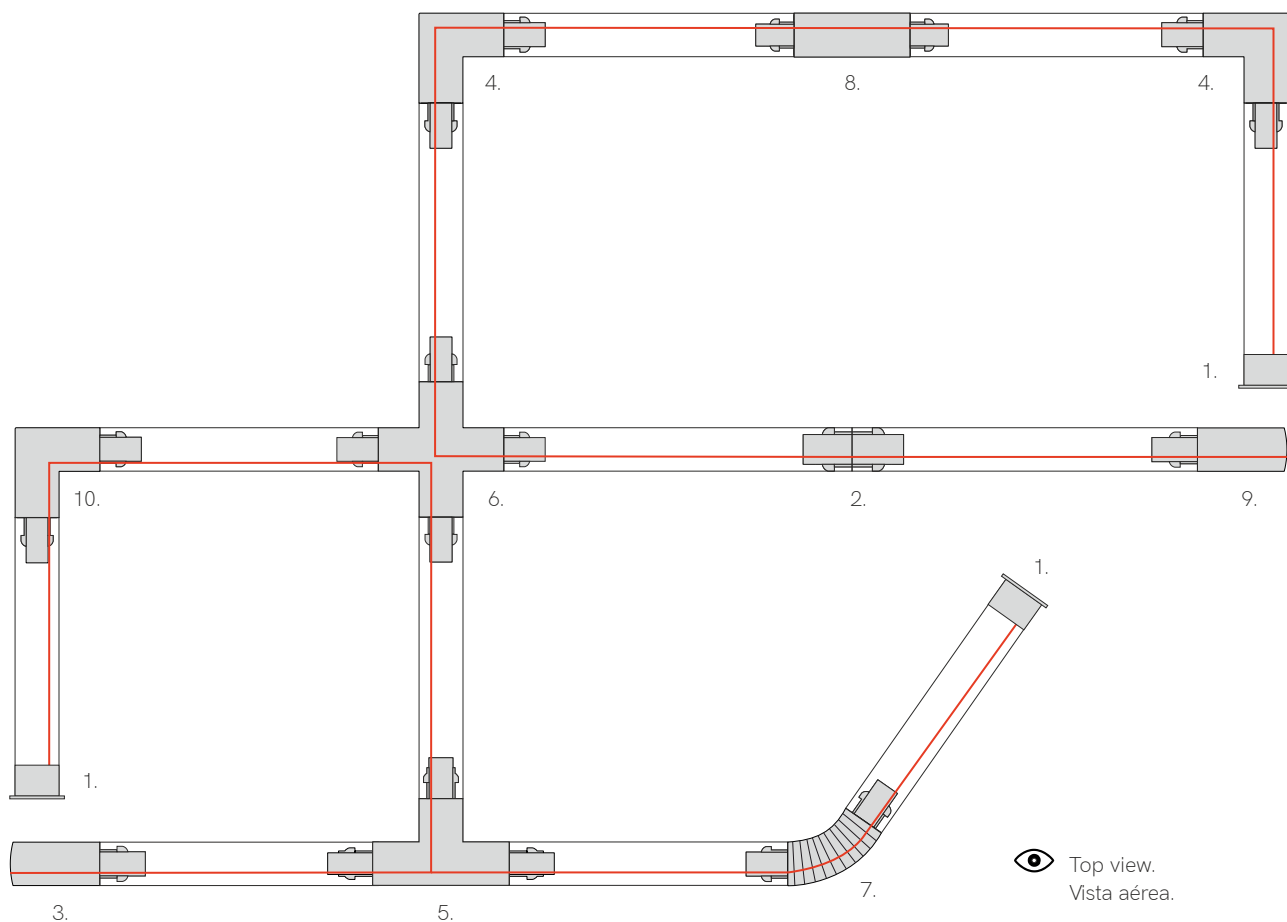
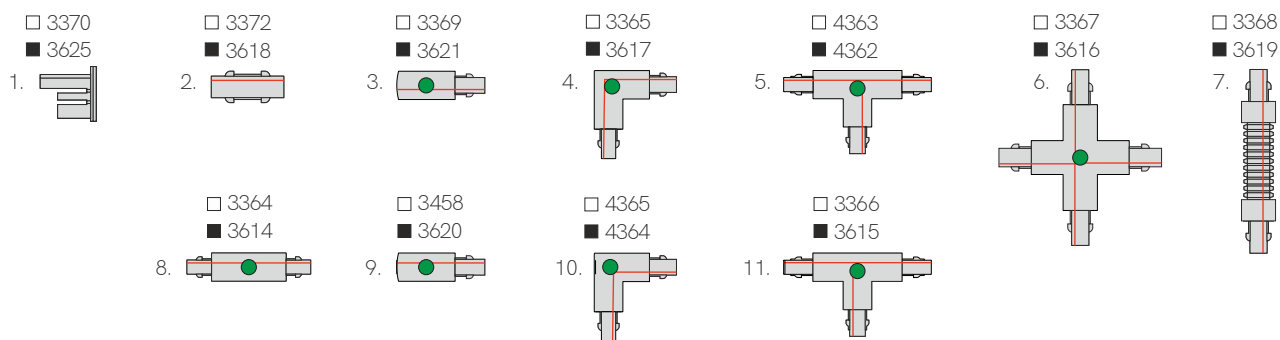


Three phase track surface accessories



● Allows power input



3 YEARS WARRANTY | IP 20



*End cap and right power connector included

Three phase track surface

L: 32mm W: 31mm H: 31mm

1m 3795

2m 3796

3m 3797

1m D-3626

2m D-3627

3m D-3628



Ceiling fixing 3PH surface

L: 30mm W: 25mm H: 12mm

3373

3623



Power connector 3PH surface

L: 98mm W: 32mm H: 32mm

Left 3369

Right 3458

Left 3621

Right 3620



Linear joint 3PH without spacing

L: 68mm W: 25mm H: 27mm

3372

3618



Linear joint 3PH with spacing surface

L: 166mm W: 35mm H: 32mm

3364

3614



L joint 90° 3PH surface

L: 100mm W: 66mm H: 32mm

Left 4365

Right 3365

Left 4364

Right 3617



T joint 3PH surface

L: 166mm W: 100mm H: 32mm

Left 4363

Right 3366

Left 4362

Right 3615



X joint 3PH surface

L: 166mm W: 166mm H: 32mm

3367

3616



Flexible joint 3PH

L: 245mm W: 35mm H: 32mm

3368

3619



End cap 3PH

L: 32mm W: 32mm H: 32mm

3370

3625



Adapter 3PH

L: 70mm W: 40mm H: 41mm

3371-V2

3624-V2



Suspension kit 3PH

L: 3.000mm W: Ø35 | Ø2.4 H: 47mm

3459

3622



Surface base 3PH

L: Ø100mm H: 32mm

4700

4701

Surface



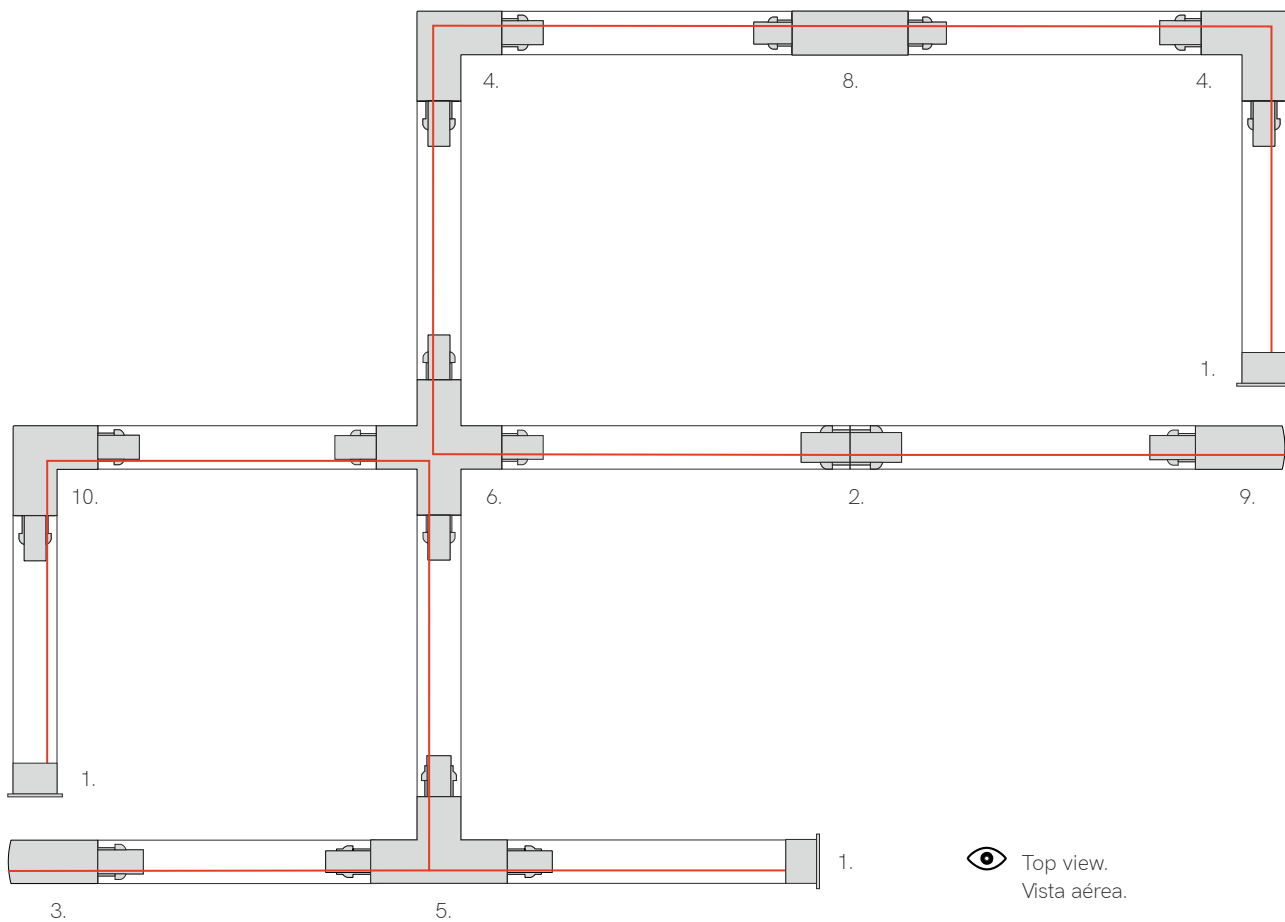
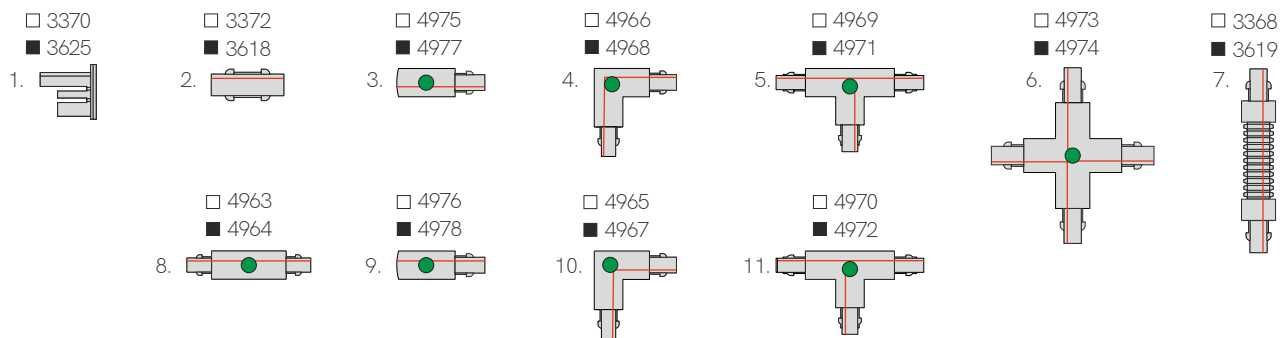
Common



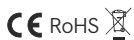
Base



Three phase track recessed accessories



● Allows power input



3 YEARS WARRANTY | IP 20



*End cap and right power connector included

Three phase track recessed

W: 56mm H: 33mm

2m 3897

3m 3898

2m 4753

3m 4754



Ceiling fixing 3PH recessed

L: 64mm W: 25mm H: 32mm

3805



Power connector 3PH recessed

L: 98mm W: 56,5mm H: 33,7mm

Left 4975

Right 4976

Left 4977

Right 4978



Linear joint 3PH without spacing

L: 68mm W: 25mm H: 27mm

3372

3618



Linear joint 3PH with spacing recessed

L: 166mm W: 56,5mm H: 33,7mm

4963

4964



Flexible joint 3PH

L: 245mm W: 35mm H: 32mm

3368

3619



L joint 3PH recessed

L: 111mm W: 111mm H: 33,7mm

Left 4965

Right 4966

Left 4967

Right 4968



T joint 3PH recessed

L: 166mm W: 111mm H: 33,7mm

Left 4969

Right 4970

Left 4971

Right 4972



X joint 3PH recessed

L: 166mm W: 166mm H: 33,7mm

4973

4974



End cap 3PH

L: 32mm W: 32mm H: 32mm

3370

3625



Adapter 3PH

L: 70mm W: 40mm H: 41mm

3371-V2

3624-V2



Recessed base 3PH

L: Ø130mm H: 60mm Ø110mm

3851

3852

*Need Three Phase Surface Base (4700 or 4701) to put inside.

Recessed



Common



Base

