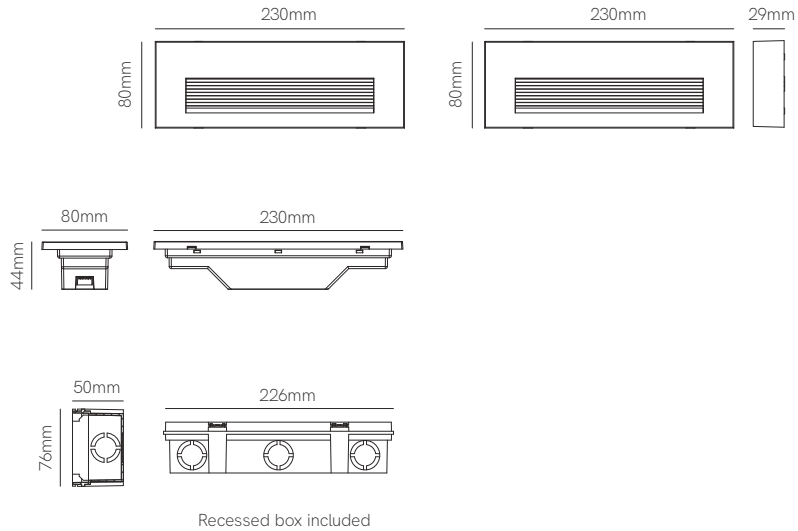
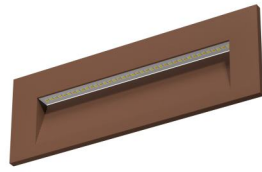


Tween recessed

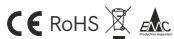
Tween surface



Technical Information

Power	5W	5W
Installation	Recessed	Surface
Color Temperature	Switch 2.700K / 3.200K / 4.000K	Switch 2.700K / 3.200K / 4.000K
Lumens	360 lm	360 lm
Material	Polycarbonate	Polycarbonate
Finishes	White / Black / Corten	White / Black / Corten
Code	<input type="checkbox"/> 5199 <input checked="" type="checkbox"/> 5200 <input checked="" type="checkbox"/> 5201	<input type="checkbox"/> 5196 <input checked="" type="checkbox"/> 5197 <input checked="" type="checkbox"/> 5198

Accessories



3 YEARS WARRANTY | 25.000 HOURS | IP 65 | 110/240 VAC | PF >0,9 | CRI ≥80 | 60° | 50/60 Hz | IK06 | +40°C / -20°C | CCT SWITCH | 1/50