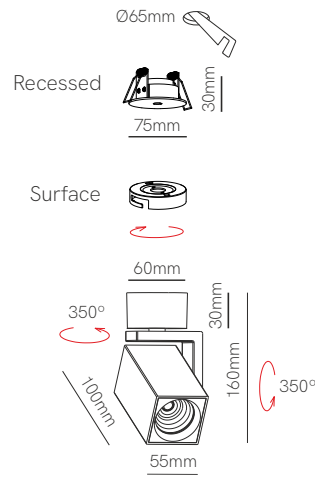
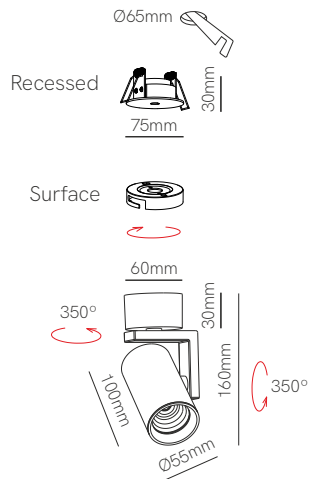


Volt r base

Volt sq base



*Included surface base (mounted) and recessed base (not mounted).

Technical Information

Power	8W	8W
Installation	Surface / Recessed	Surface / Recessed
Color Temperature	Switch 2.700K / 3.200K / 4.000K	Switch 2.700K / 3.200K / 4.000K
Lumens	570 lm	570 lm
Material	Aluminium	Aluminium
Finishes	White / Black	White / Black
Code	<input type="radio"/> 5041 <input checked="" type="radio"/> 5042 <input type="radio"/> Custom RAL	<input type="checkbox"/> 5043 <input checked="" type="checkbox"/> 5044 <input type="checkbox"/> Custom RAL



ⓘ Consult delivery terms and conditions.

3 YEARS WARRANTY | 30.000 HOURS | IP 20 | 100/277 VAC | PF >0,9 | CRI ≥90 | 38° | IK06 | 50/60 Hz | +45°C / -20°C | CCT SWITCH | 1/20