

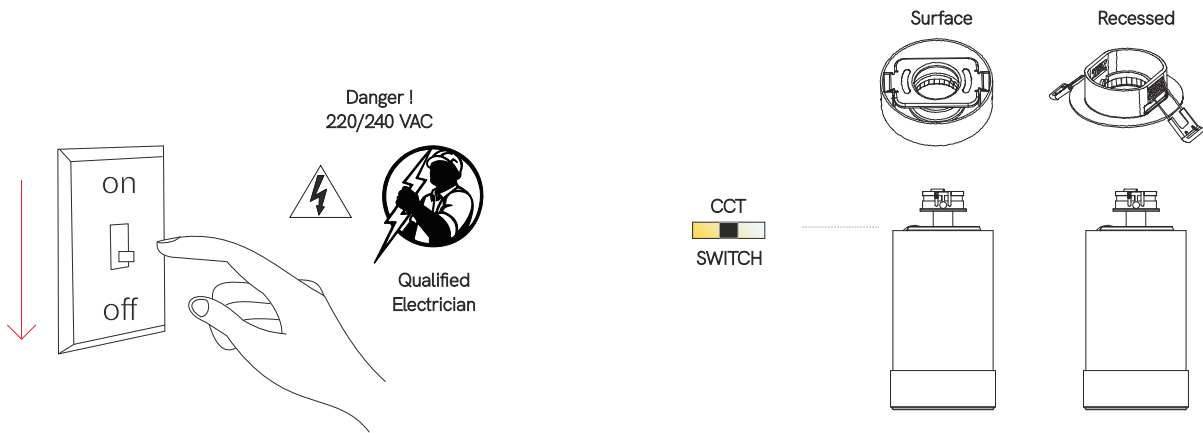
# Crown base

surface/ recessed

5224, 5225

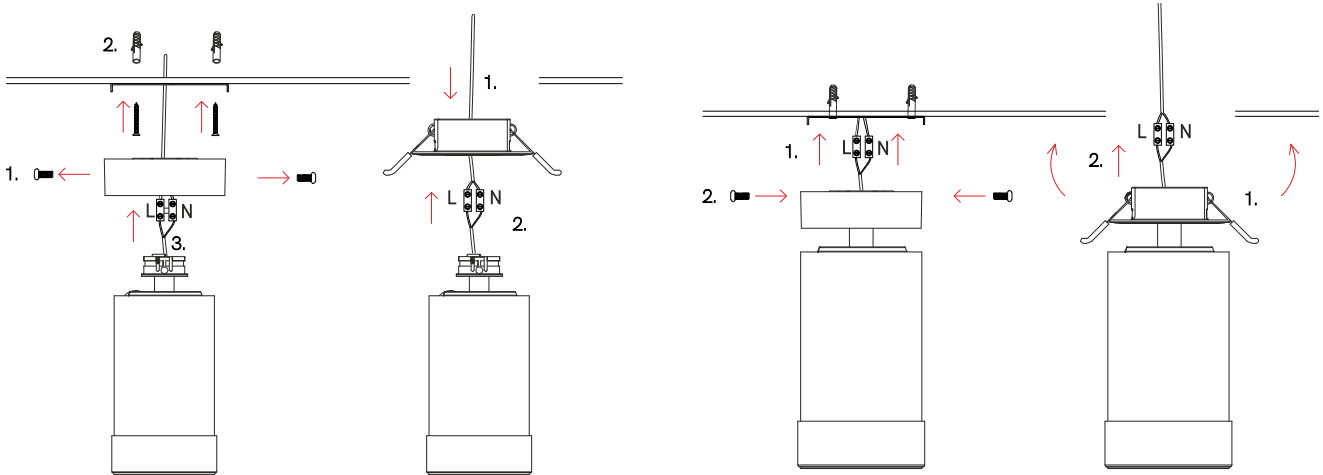
25W

Instrucciones de montaje/ Assembly instructions/ Instructions de montage/ Montageanleitung/ Istruzioni di montaggio



1.0

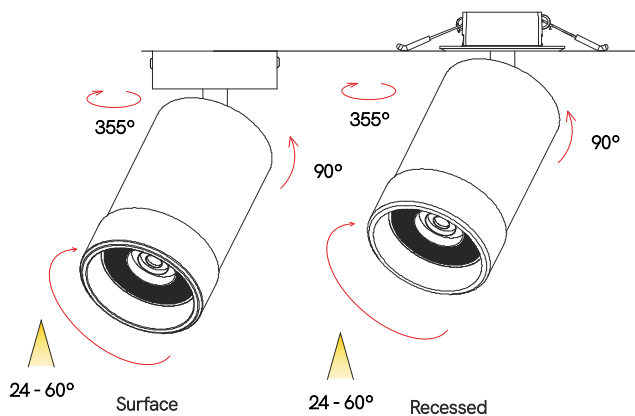
2.0 Disconnect the mains power before operating the power or CCT selection switch.



3.0

Una vez montada 1 base no es posible montar y poner la otra base.  
Once 1 base has been mounted, it is not possible to mount and fit the other base.

4.0



5.0

6.0

