

Evo mini

custom system

8NXXX1, 8NXXX2, 8NXXXC, 8PXXX1, 8PXXX2, 8NXXXC, 81XXX1, 81XXX2, 81XXXC, 81XXX1, 81XXX2, 81XXXC

Instrucciones de montaje/ Assembly instructions/ Instructions de montage/ Montageanleitung/ Istruzioni di montaggio

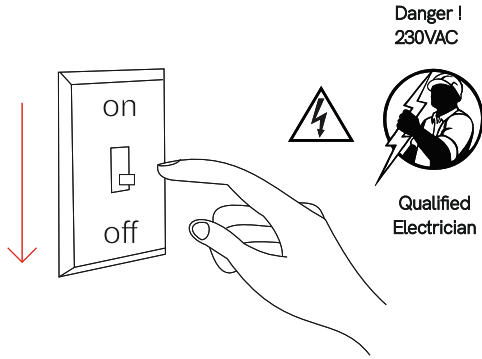


Evo mini

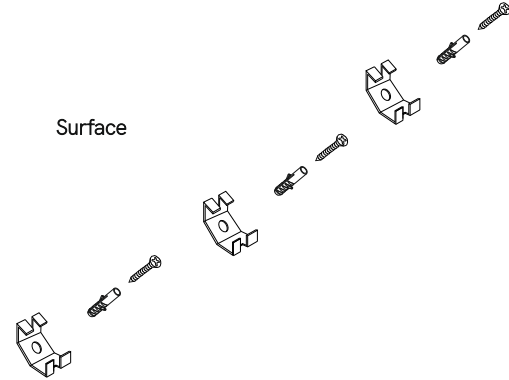
luminaires

8NXXX1, 8NXXX2, 8NXXXC, 8PXXX1, 8PXXX2, 8NXXXC, 81XXX1, 81XXX2, 81XXXC, 81XXX1, 81XXX2, 81XXXC
 38W, 47W, 56W, 74W

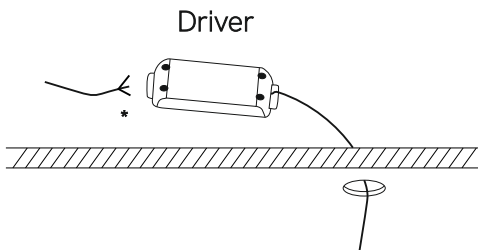
Instrucciones de montaje/ Assembly instructions/ Instructions de montage/ Montageanleitung/ Istruzioni di montaggio



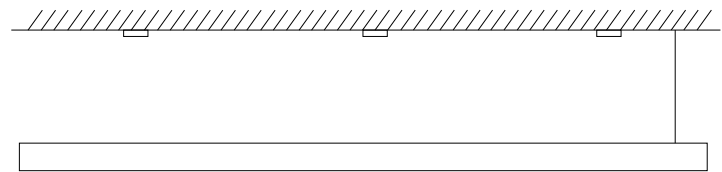
1.0



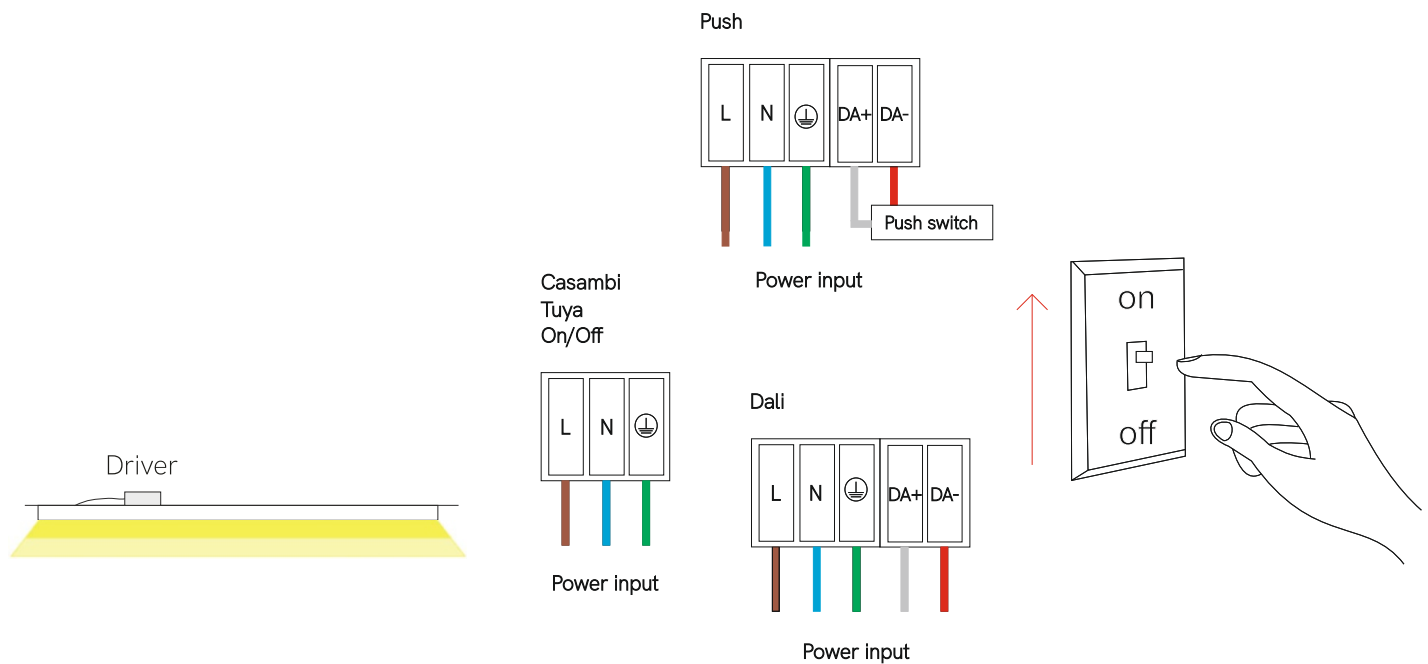
2.0



3.0 * See the different smart connection options



4.0



5.0

6.0 * The different smart connection options

7.0

Evo mini

luminaires

8NXXX1, 8NXXX2, 8NXXXC, 8PXXX1, 8PXXX2, 8NXXXC, 81XXX1, 81XXX2, 81XXXC, 81XXX1, 81XXX2, 81XXXC
 38W, 47W, 56W, 74W

Instrucciones de montaje/ Assembly instructions/ Instructions de montage/ Montageanleitung/ Istruzioni di montaggio

Suspension

1.0

2.0 * See the different smart connection options

3.0

4.0

5.0

6.0

7.0 * The different smart connection options

L

N

⊖

DA+

DA-

Power input

Push switch

L

N

⊖

Power input

L

N

⊖

DA+

DA-

Power input

8.0