

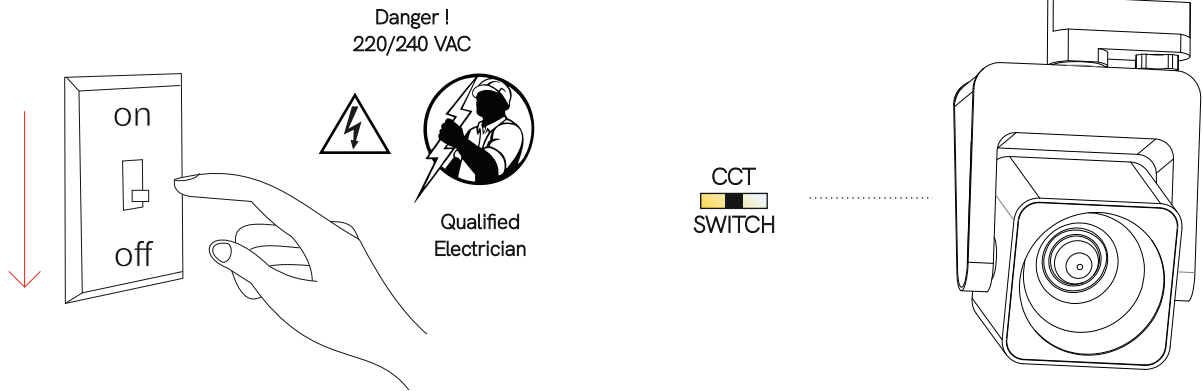
# Kom 3PH 20W

three phase track

4337-N, 4339-N

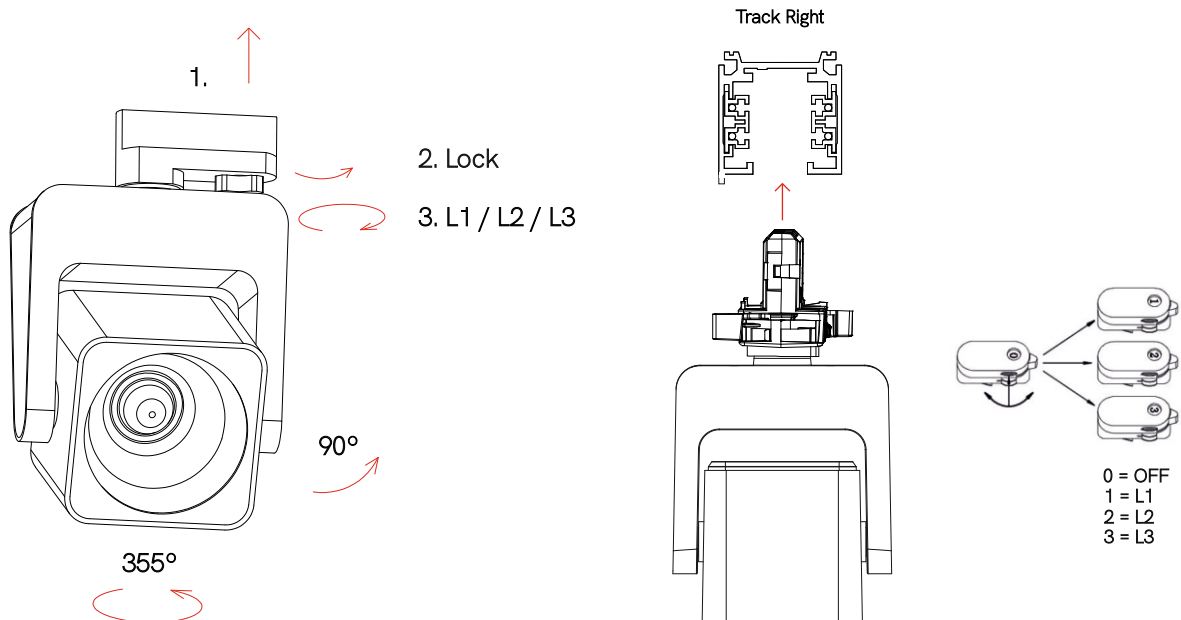
20W

Instrucciones de montaje/ Assembly instructions/ Instructions de montage/ Montageanleitung/ Istruzioni di montaggio



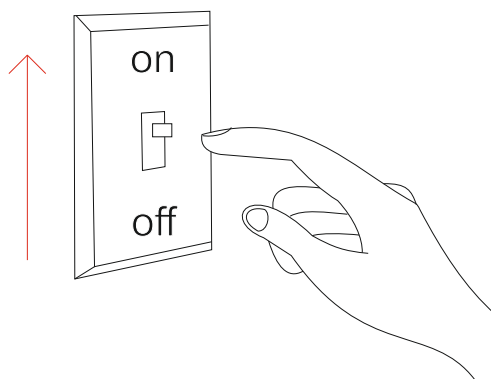
1.0

2.0



3.0

4.0



5.0