

Urban asymmetric E

custom system

38XXX1, 38XXX2, 38XXXC, 68XXX1, 68XXX2, 68XXXC

Instrucciones de montaje/ Assembly instructions/ Instructions de montage/ Montageanleitung/ Istruzioni di montaggio



Urban asymmetric E

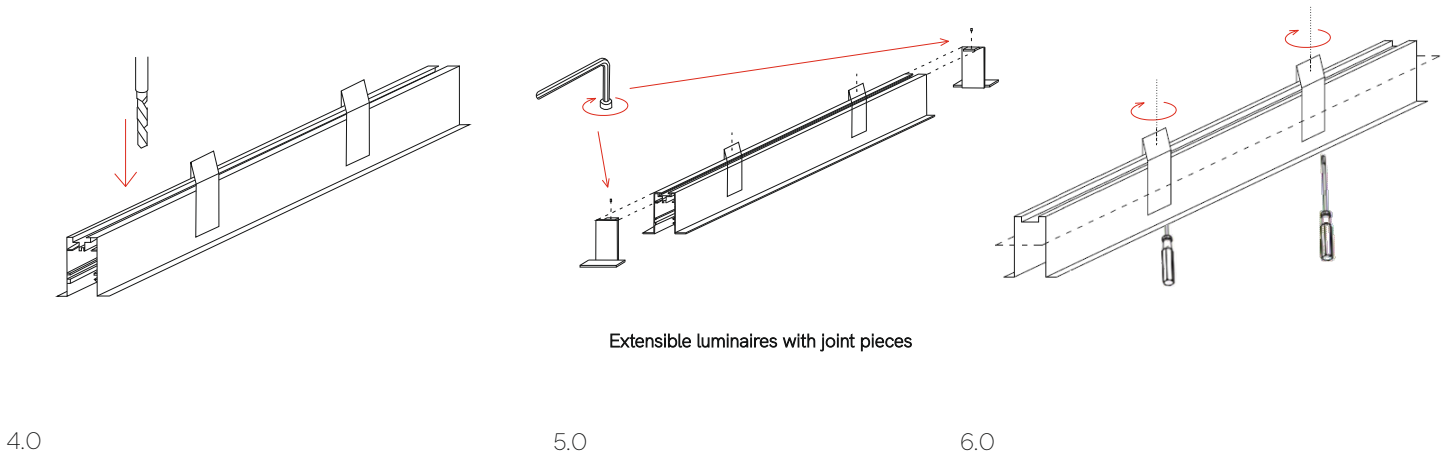
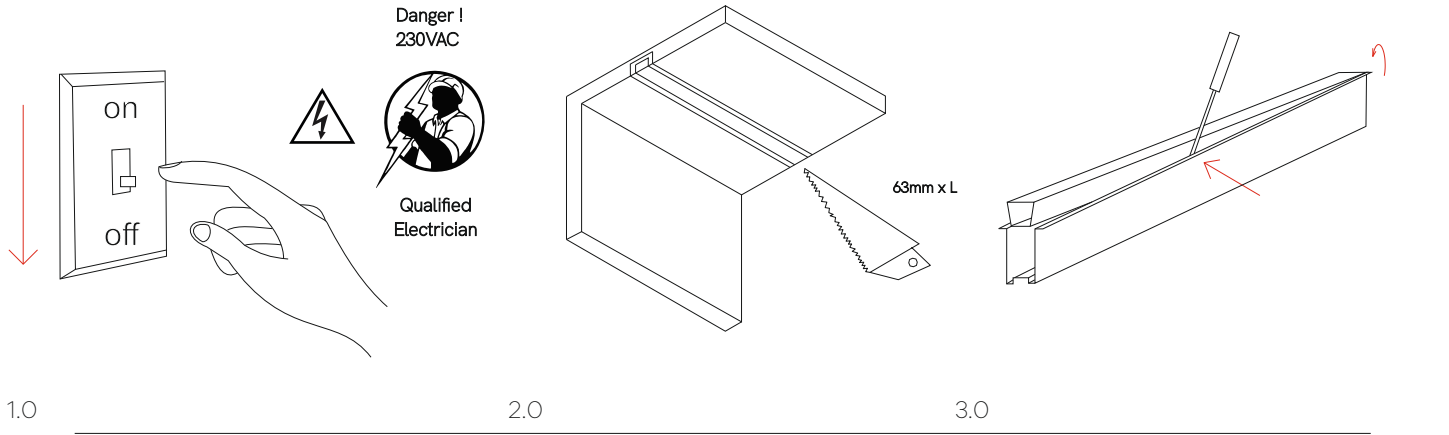
luminaires

38XXX1, 38XXX2, 38XXXC, 68XXX1, 68XXX2, 68XXXC

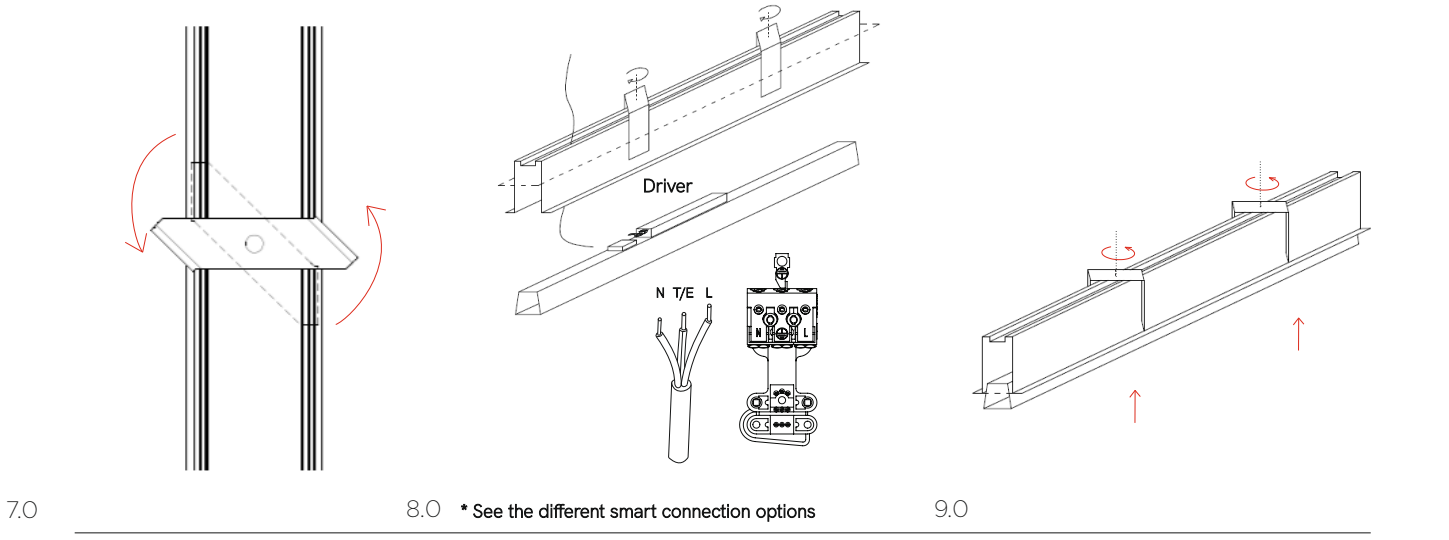
25W, 31W, 37W, 43W, 55W



Instrucciones de montaje/ Assembly instructions/ Instructions de montage/ Montageanleitung/ Istruzioni di montaggio



Extensible luminaires with joint pieces



Urban asymmetric E

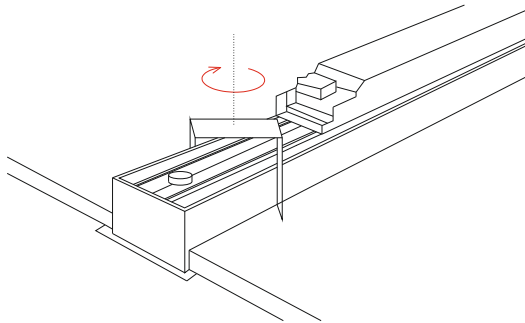
luminaires

38XXX1, 38XXX2, 38XXXC, 68XXX1, 68XXX2, 68XXXC

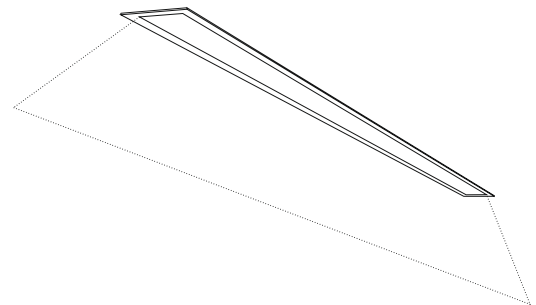
25W, 31W, 37W, 43W, 55W



Instrucciones de montaje/ Assembly instructions/ Instructions de montage/ Montageanleitung/ Istruzioni di montaggio

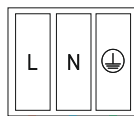


10.0



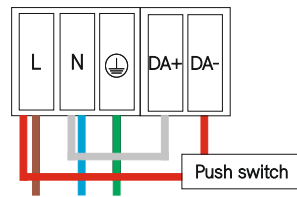
11.0

Casambi
Tuya
On/Off



Power input

Push



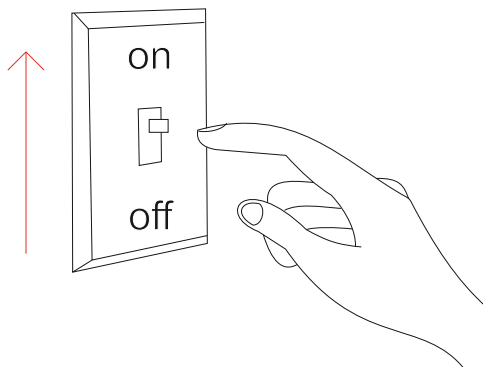
Power input

Dali



Power input

12.0 * See the different smart connection options



13.0

