

# Urban Work

custom system

63XXX1, 63XXX2, 63XXXC

Instrucciones de montaje/ Assembly instructions/ Instructions de montage/ Montageanleitung/ Istruzioni di montaggio



# Urban Work

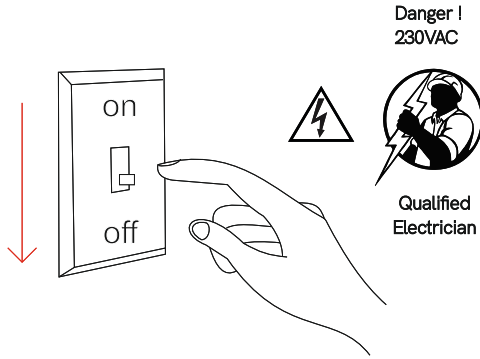
luminaires

63XXX1, 63XXX2, 63XXXC

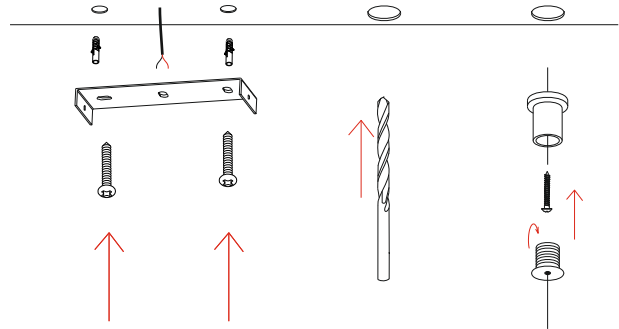
35W, 43W, 51W, 59W, 97.5W



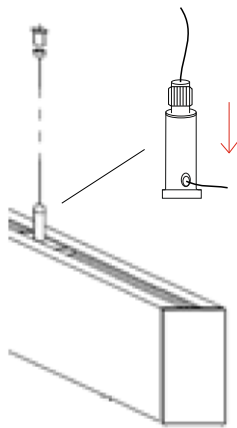
Instrucciones de montaje/ Assembly instructions/ Instructions de montage/ Montageanleitung/ Istruzioni di montaggio



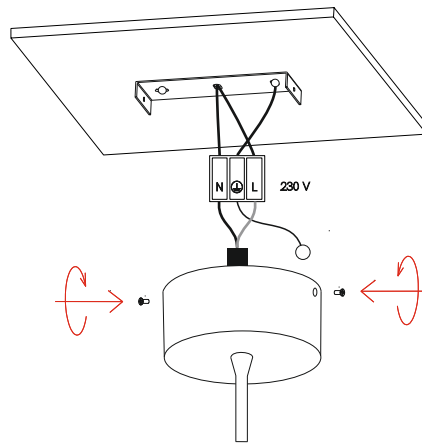
1.0



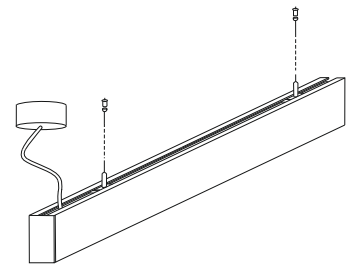
2.0



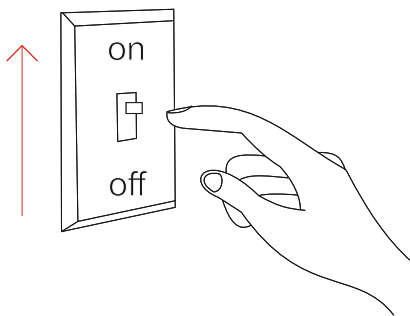
3.0



4.0 \* See the different smart connection options

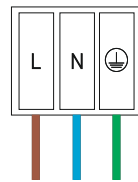


5.0



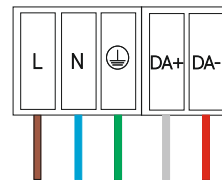
6.0

Casambi  
Tuya  
On/Off



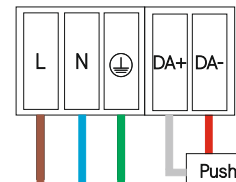
Power input

Dali



Power input

Push



Power input

7.0 \*1 See the different smart connection options

