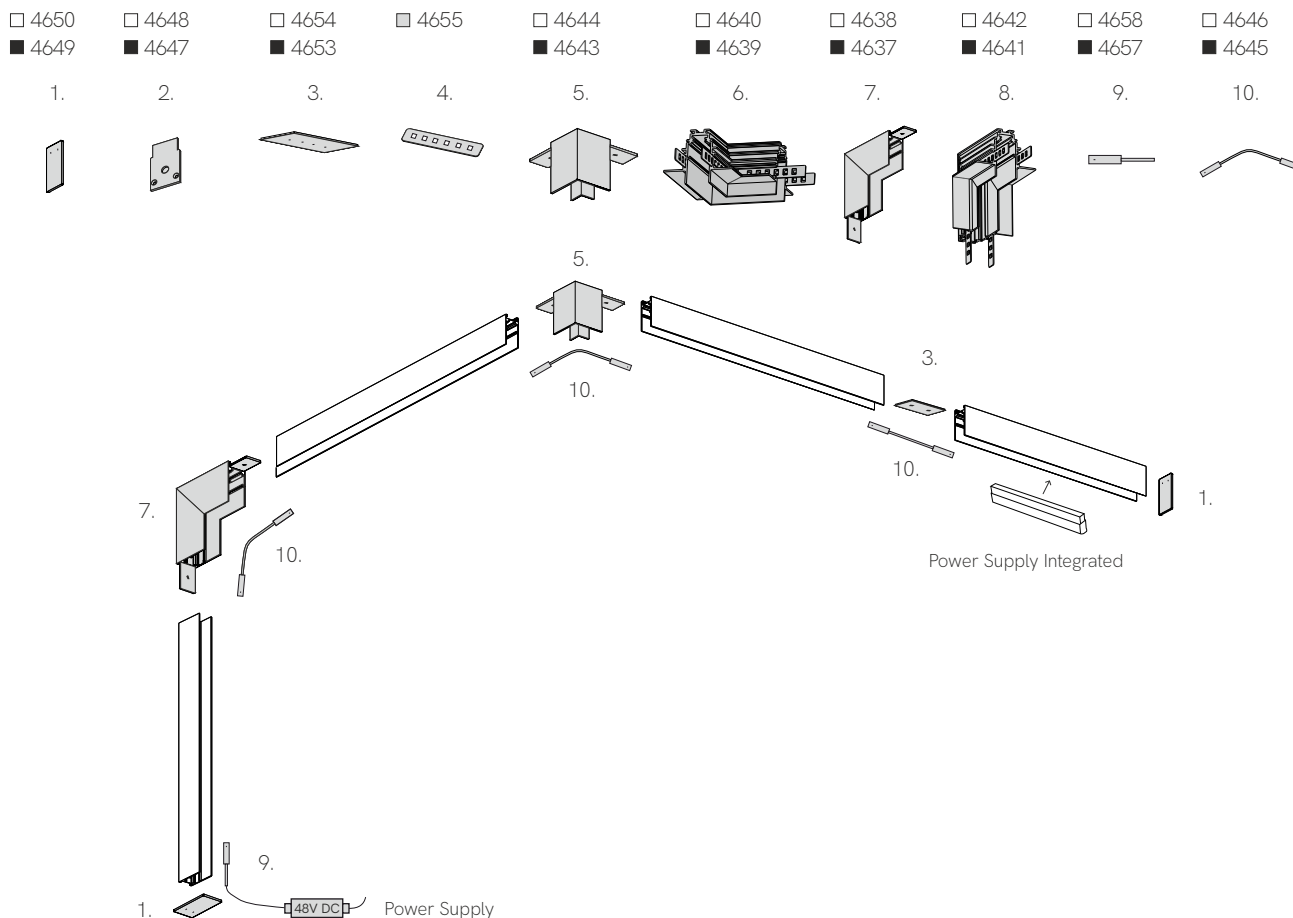


# Magnet track accessories



## Power Supplies 48V



Code	Version	Power	IP	VDC OUT	Size
4711	■ Power Supply Basic	60W	IP67	48 VDC	150x53x36mm
4707	□ Power Supply Top	150W	IP65	48 VDC	219x63x35mm
4708	□ Power Supply Top	240W	IP65	48 VDC	244x71x37mm
5139	□ Power Supply Dali	90W	IP67	48 VDC	171x63x38mm
5140	□ Power Supply Dali	200W	IP67	48 VDC	191x68x40mm
5558	□ Power Supply Integrated Dali	100W	IP20	48 VDC	325x23x23mm
6023	■ Power Supply Integrated Dali	100W	IP20	48 VDC	325x23x23mm
5559	□ Power Supply Integrated Dali	250W	IP20	48 VDC	390x23x43mm
6025	■ Power Supply Integrated Dali	250W	IP20	48 VDC	390x23x43mm





**Magnet track 48V surface**

W: 26mm H: 53mm

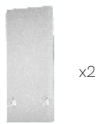
- 1m 4660
- 2m 4662
- 1m 4659
- 2m 4661



**Magnet track 48V recessed**

W: 72mm x H: 55mm

- 1m 4664
- 2m 4666
- 1m 4663
- 2m 4665



**End cap 48V surface**

L: 53mm W: 26.6mm H: 2mm

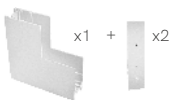
- 4650
- 4649



**End cap 48V recessed**

L: 52mm W: 32mm H: 2mm

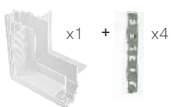
- 4648
- 4647



**L joint wall ceiling 48V surface**

L: 100mm W: 100mm H: 26mm

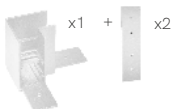
- 4638
- 4637



**L joint wall ceiling 48V recessed**

L: 100mm W: 100mm H: 72mm

- 4642
- 4641



**L joint 48V ceiling surface**

L: 40mm W: 40mm H: 53mm

- 4644
- 4643



**L joint 48V ceiling recessed**

L: 100mm W: 100mm H: 55mm

- 4640
- 4639



**Curve magnet track 48V surface**

W: 26mm H: 53mm

- R500 1/4 5317
- R500 1/4 5319



**Curve/straight end cap 48V**

L: 53mm W: 26.6mm H: 2mm

- 4650-N
- 4649-N



**Linear joint 48V surface**

L: 80mm W: 22.5mm H: 2mm

- 4654
- 4653



**Linear joint 48V recessed**

L: 70mm W: 11.5mm H: 1mm

- 4655



**Start connector 48V**

L: 98mm W: 18mm H: 18mm

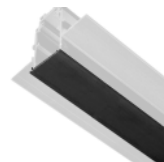
- 4658-N
- 4657-N



**Central corner connector 48V**

L: 98mm W: 18mm H: 18mm

- 4646-N
- 4645-N



**PVC trim 48V**

W: 26.8mm H: 3.5mm

- 1m 4651
- 2m 4652



**Suspension kit 48V**

L: 45mm W: 22mm | Ø15mm H: 1.900mm

- 4807

