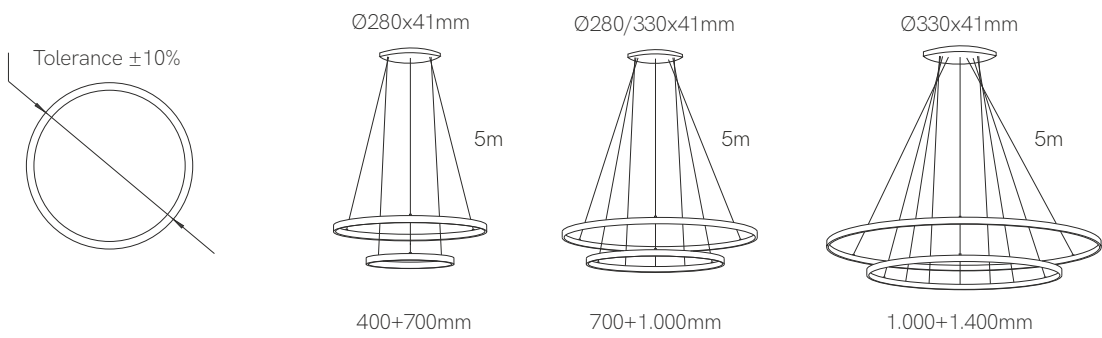


NEW

Zero D



Equipment



*Finished luminaire. Includes power supply, suspension kit and power cable.

Control accessories: page 327 pages 326-333 pages 334-335

Technical Information

Power	78W / 120W / 180W
Lumens	4.680 lm - 12.960 lm
Installation	Pendant
Material	Aluminium 6063
PCB	Flex (Fine 56)

Code	Diffuser (Angle)	Size	CCT (lm/W)	Driver	Colour
Code Z	Opal (100°) D	400+700mm 1	2.700K (60 lm/W) 2	On / Off 1	○ White (9003) 1
		700+1.000mm 2	3.000K (66 lm/W) 3	Dali / Push 2	● Black (9005) 2
		1.000+1.400mm 3	4.000K (72 lm/W) 4	Casambi 4 ⓘ	● Matt Gold 4
			2.700-5.500K (70 lm/W) 9	Tuya 5 ⓘ	● Silver 5
					ⓘ Custom RAL

Code: **Z D**



ⓘ Consult delivery terms and conditions.

*Create your code according to your preferences. RGB-W and CCT 2.700-5.500K only works with driver 5 Casambi and 7 Tuya.

