

Atmos 3PH suspension

three phase track

313S11, 313S12, 313S41, 313S42

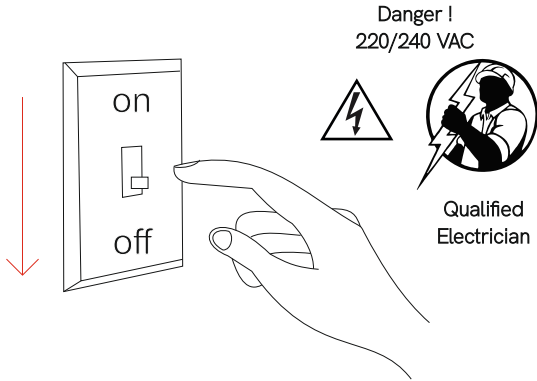
7W



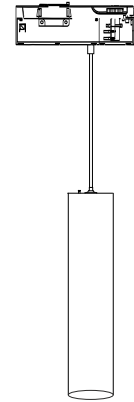
BENEITO FAURE®

passion for led light

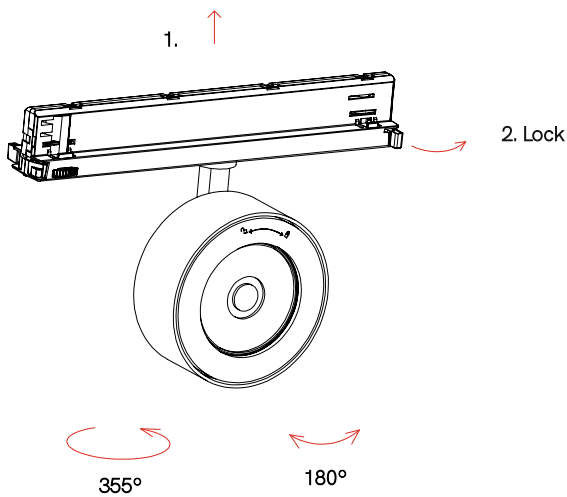
Instrucciones de montaje/ Assembly instructions/ Instructions de montage/ Montageanleitung/ Istruzioni di montaggio



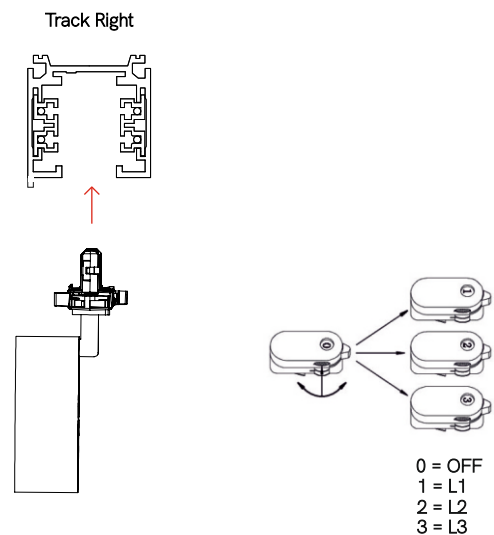
1.0



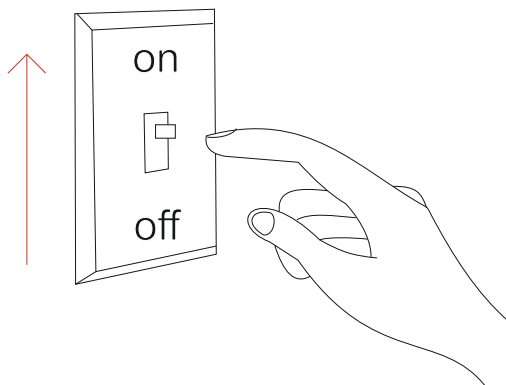
2.0



3.0



4.0



5.0

3 YEARS
WARRANTY

30.000
HOURS

IP
20

220/240
VAC

UGR
<19

PF
>0,9

CRI
≥90



15°
38°
60°

50/60
Hz

+50°C
-20°C

CCT
SWITCH