

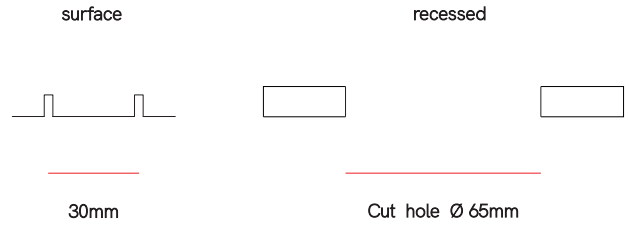
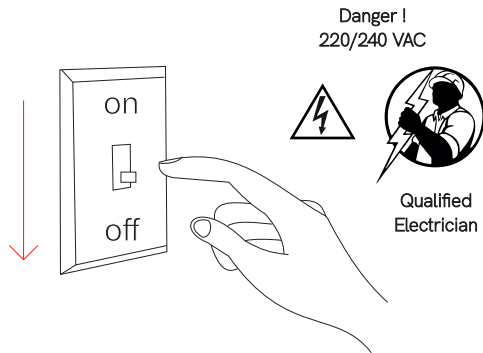
Atmos XL suspension

pendant

4463-N, 4464-N, 4953-N

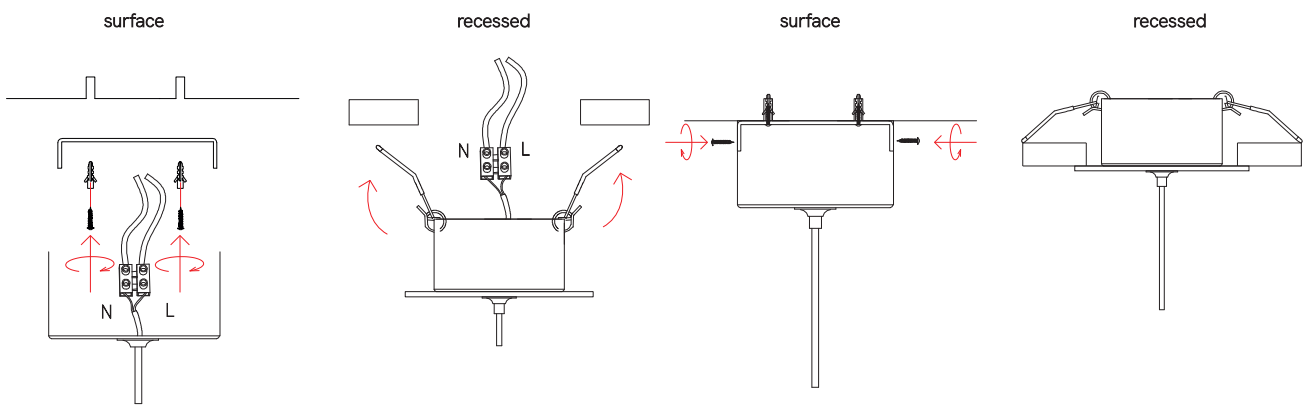
10W

Instrucciones de montaje/ Assembly instructions/ Instructions de montage/ Montageanleitung/ Istruzioni di montaggio



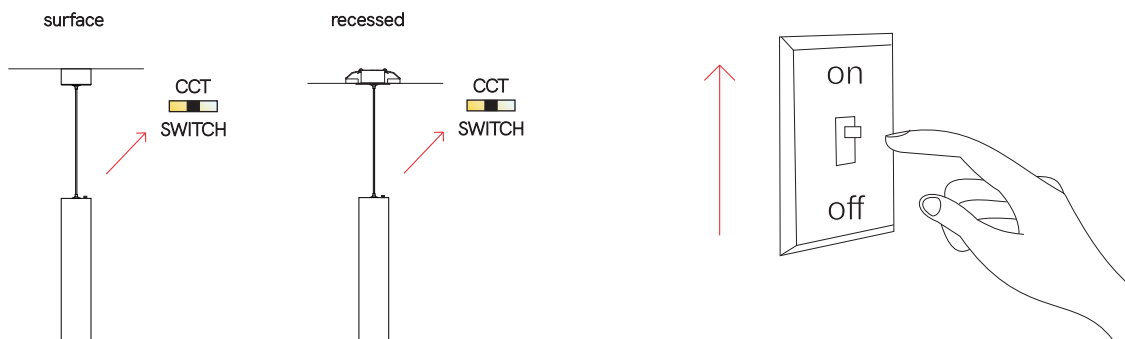
1.0

2.0



3.0

4.0



5.0

6.0