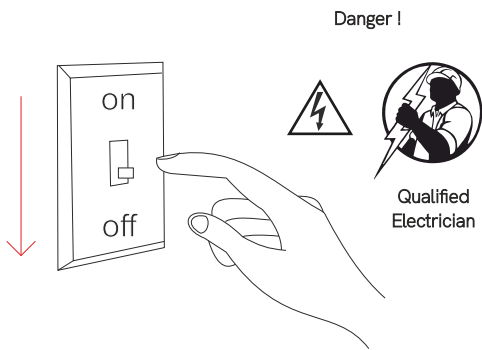


# Avant sq recessed

recessed

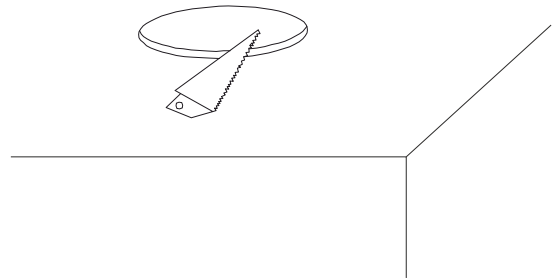
4484, 4485

Instrucciones de montaje/ Assembly instructions/ Instructions de montage/ Montageanleitung/ Istruzioni di montaggio

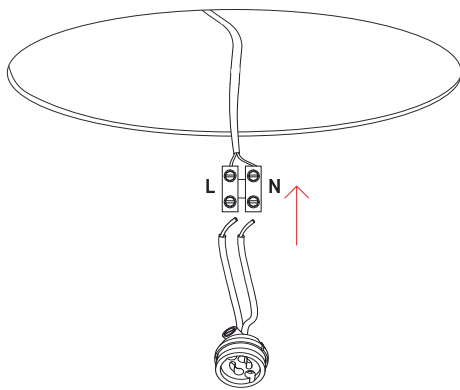


1.0

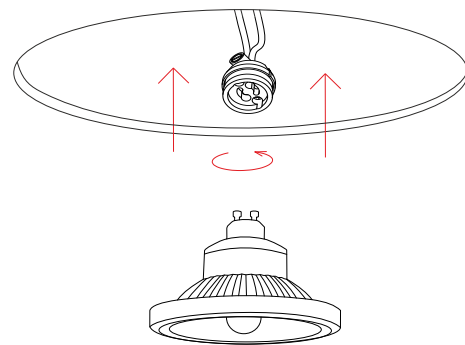
Ø145mm



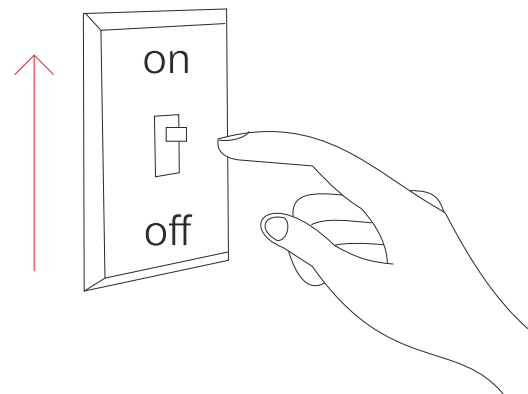
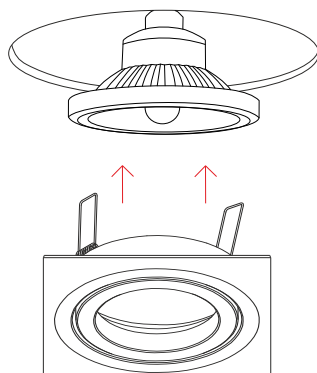
2.0



3.0



4.0 Bulbholder 111mm GU10



5.0



6.0



RoHS



3  
YEARS  
WARRANTY

20  
IP