

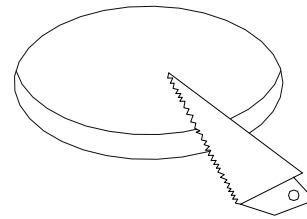
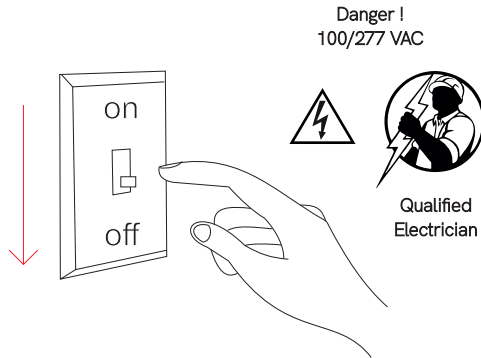
Bora suspension recessed

suspension

4613, 4614, 4615, 4616, 4617, 4618, 4619, 4620

8,5W

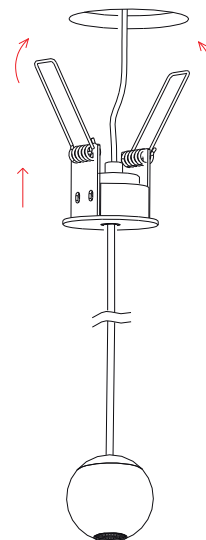
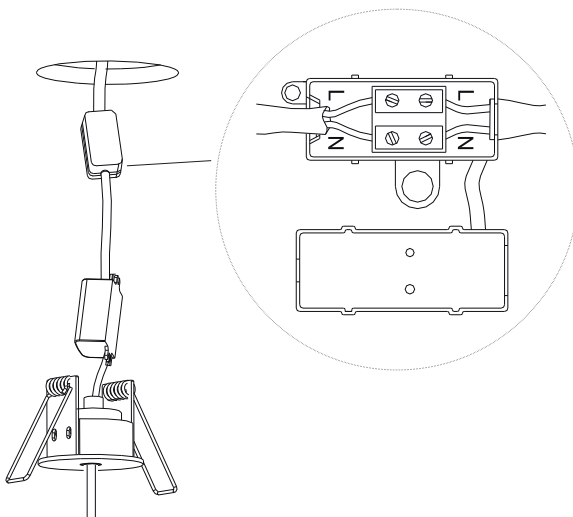
Instrucciones de montaje/ Assembly instructions/ Instructions de montage/ Montageanleitung/ Istruzioni di montaggio



Ø60mm

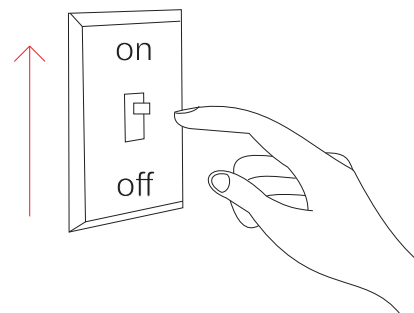
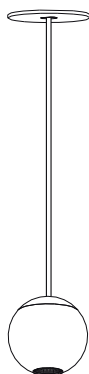
1.0

2.0



3.0

4.0



5.0

6.0



RoHS



>0,6
PF



220/240
VAC

3
YEARS
WARRANTY

26.000
HOURS

50/60
Hz

+40°C
-20°C

UGR
<15

20
IP