

# Evo E

custom system  
5XXXX1, 5XXXX2, 5XXXXC

Instrucciones de montaje/ Assembly instructions/ Instructions de montage/ Montageanleitung/ Istruzioni di montaggio



# Evo E

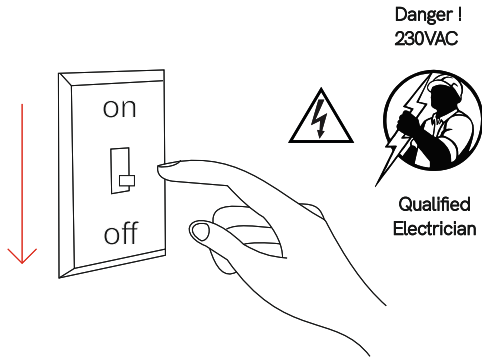
## luminaires

5XXXX1, 5XXXX2, 5XXXXC

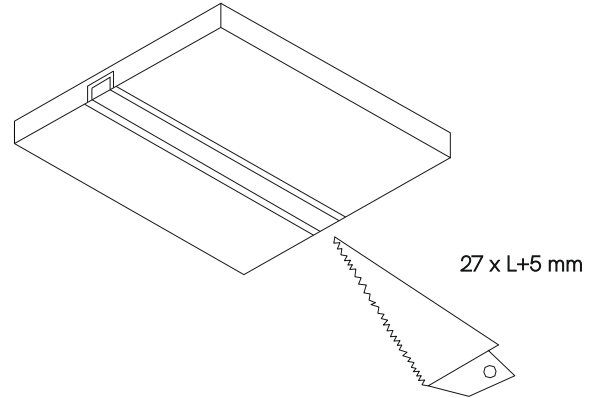
10W, 21W, 31W, 42W, 52W, 63W, 73W



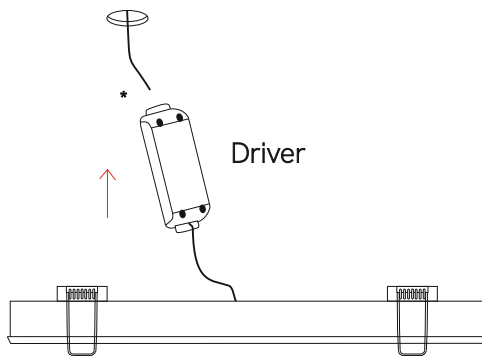
Instrucciones de montaje/ Assembly instructions/ Instructions de montage/ Montageanleitung/ Istruzioni di montaggio



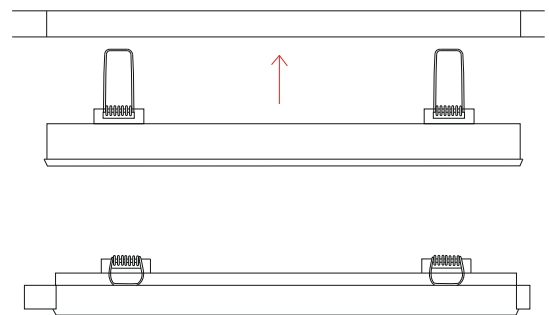
1.0



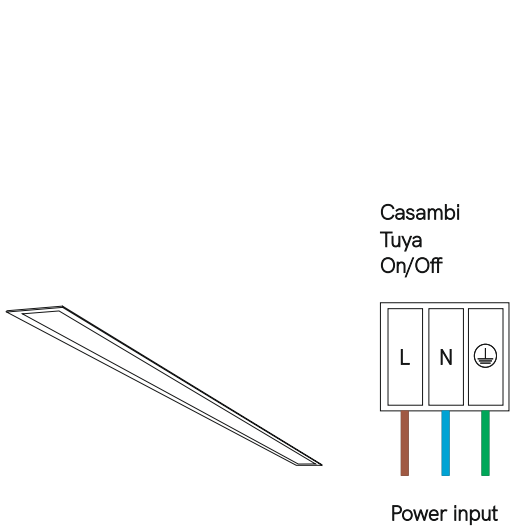
2.0



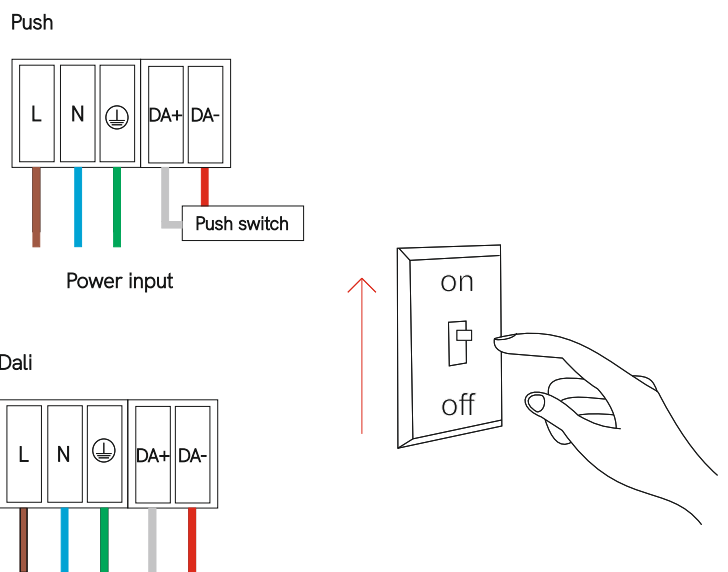
3.0 \*See the different smart connection options



4.0



5.0



6.0

7.0

