

# Evo E opal

custom system

50XXX1, 50XXX2, 50XXXC

Instrucciones de montaje/ Assembly instructions/ Instructions de montage/ Montageanleitung/ Istruzioni di montaggio



# Evo E opal

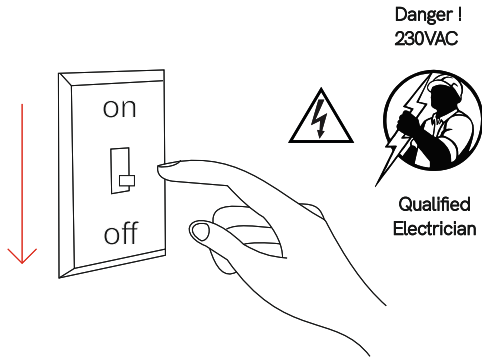
## luminaires

50XXX1, 50XXX2, 50XXXC

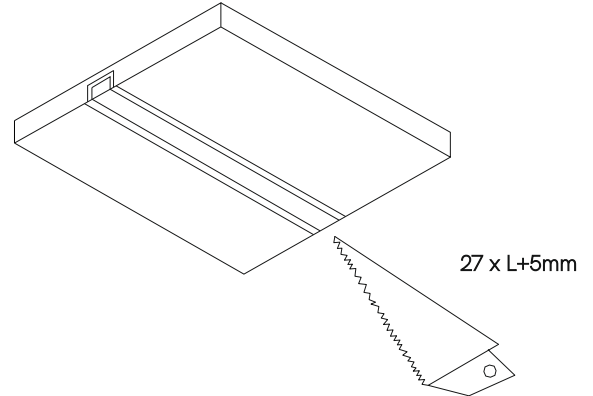
2W, 6W, 12W, 18W, 24W, 30W, 36W, 42W



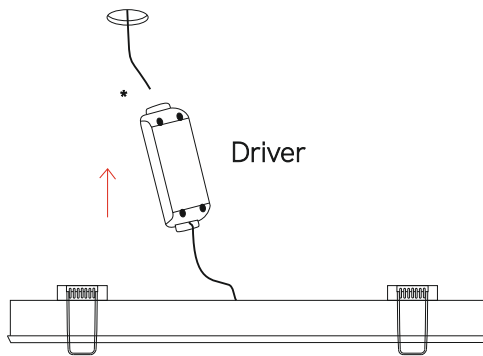
Instrucciones de montaje/ Assembly instructions/ Instructions de montage/ Montageanleitung/ Istruzioni di montaggio



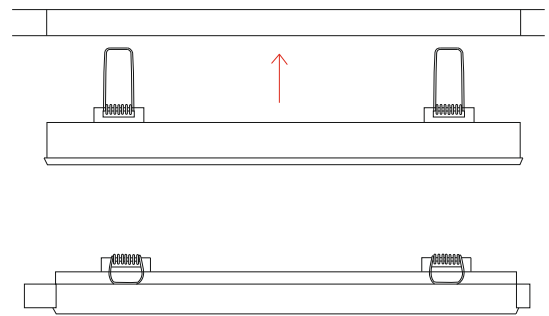
1.0



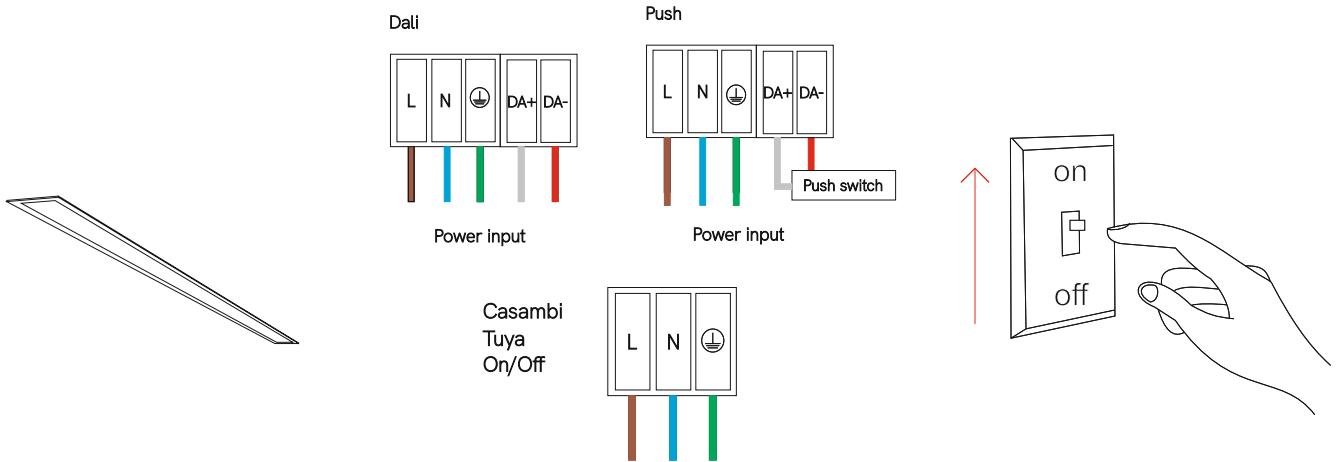
2.0



3.0 \*See the different smart connection options



4.0



5.0

6.0

Power input

7.0

