

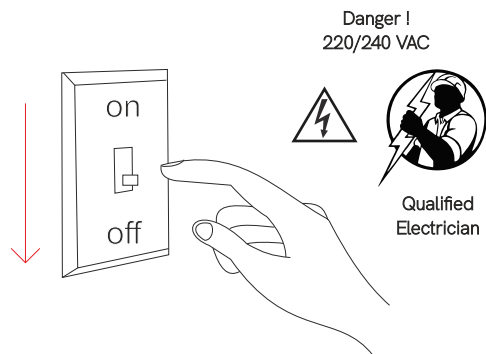
# Kom 3PH 40W

three phase track

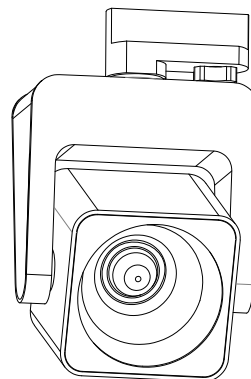
4444, 4445, 4447, 4448

40W

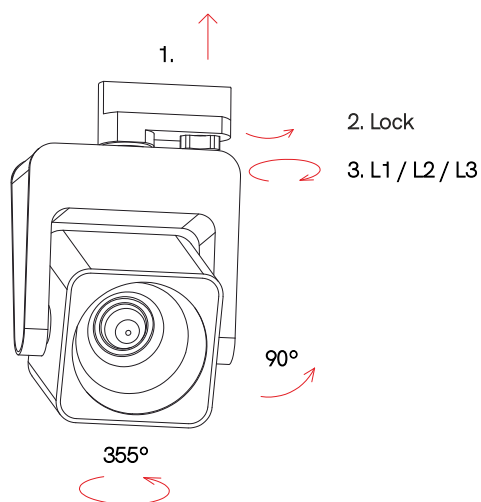
Instrucciones de montaje/ Assembly instructions/ Instructions de montage/ Montageanleitung/ Istruzioni di montaggio



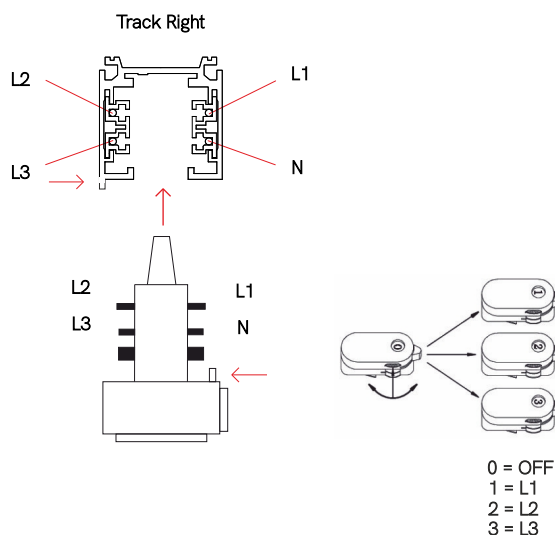
1.0



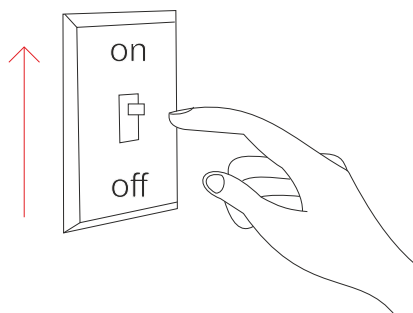
2.0



3.0



4.0



5.0



RoHS



>0,9  
PF

CRI  
≥80



3  
YEARS  
WARRANTY

220/240  
VAC

50/60  
Hz



UGR  
<19



20  
IP

30.000  
HOURS

