

Mini Tram 48V

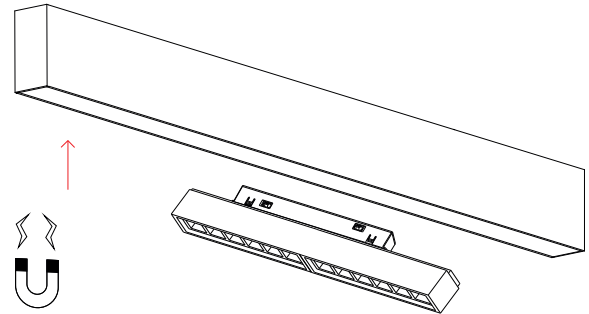
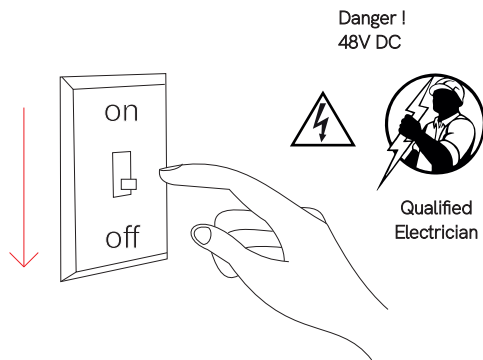
track lights

4780, 4781, 4782, 4783

9W

Instrucciones de montaje/ Assembly instructions/ Instructions de montage/ Montageanleitung/ Istruzioni di montaggio

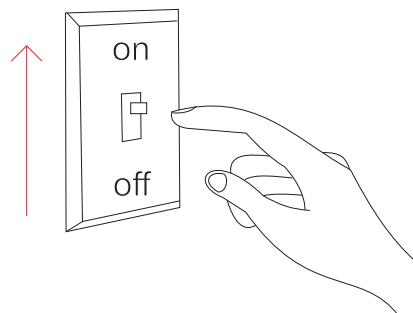
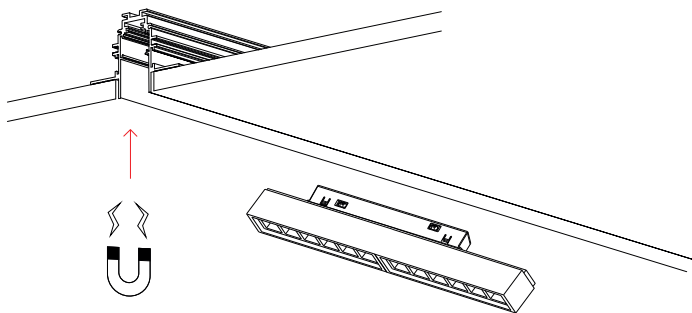
Surface installation



1.0

2.0

Recessed installation



3.0

4.0