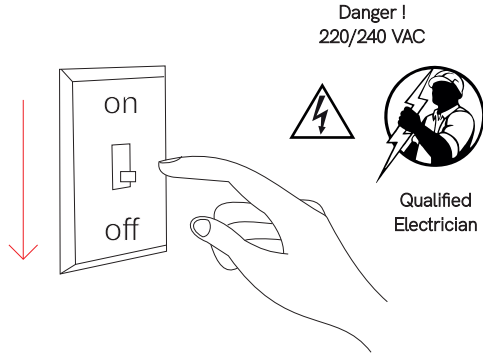


# Neo sensor wall

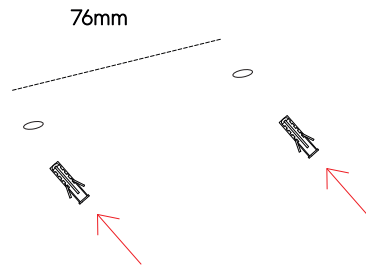
3585, 3583, 3584, 3582

9W

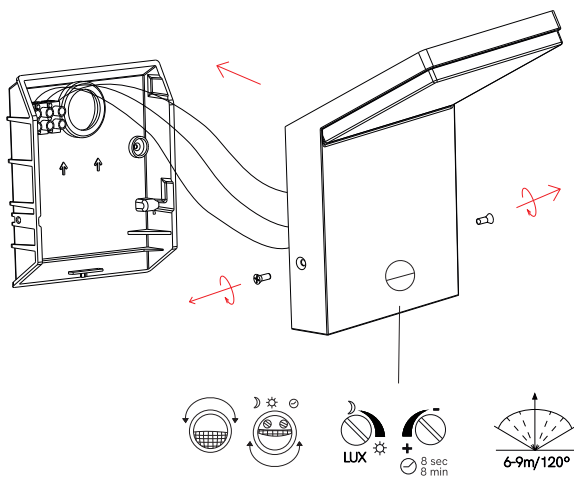
Instrucciones de montaje/ Assembly instructions/ Instructions de montage/ Montageanleitung/ Istruzioni di montaggio



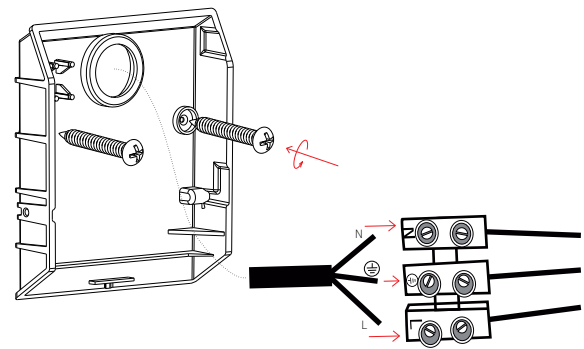
1.0



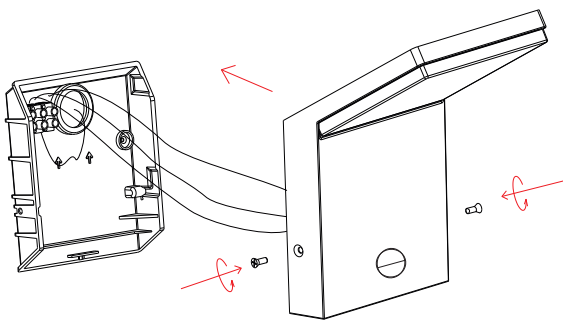
2.0



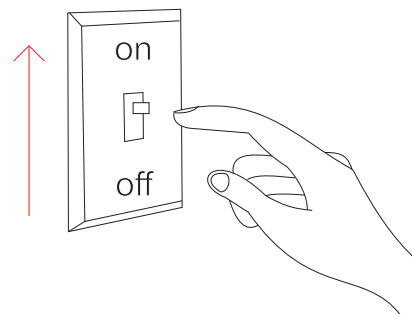
3.0



4.0



5.0



6.0