

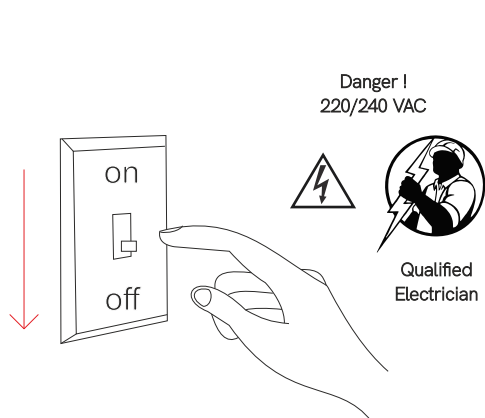
Piccolo base

surface

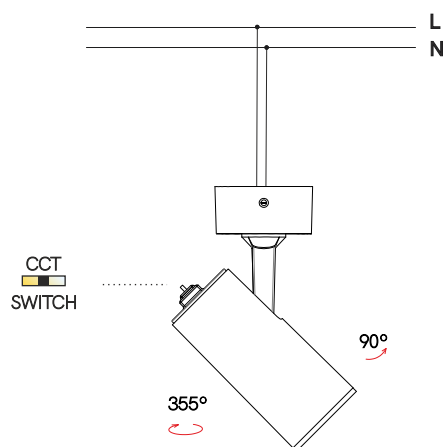
4833-N, 4834-N

9,5W

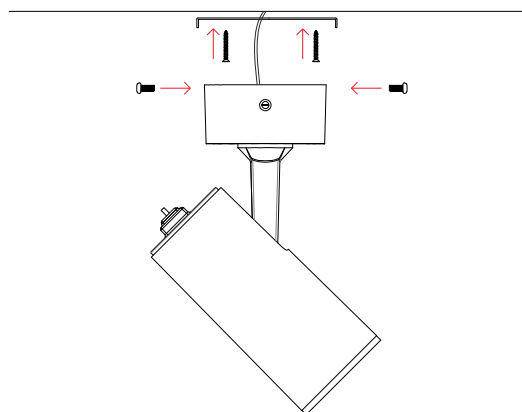
Instrucciones de montaje/ Assembly instructions/ Instructions de montage/ Montageanleitung/ Istruzioni di montaggio



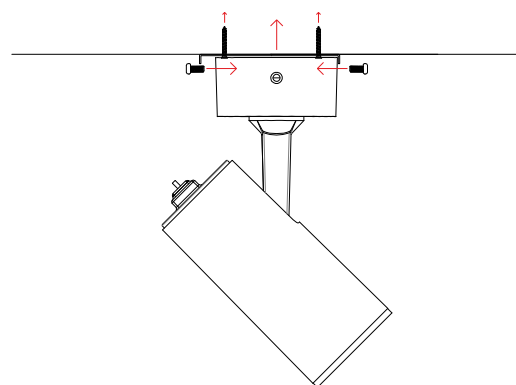
1.0



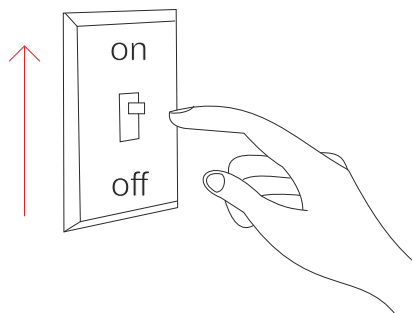
2.0



3.0



4.0



5.0