

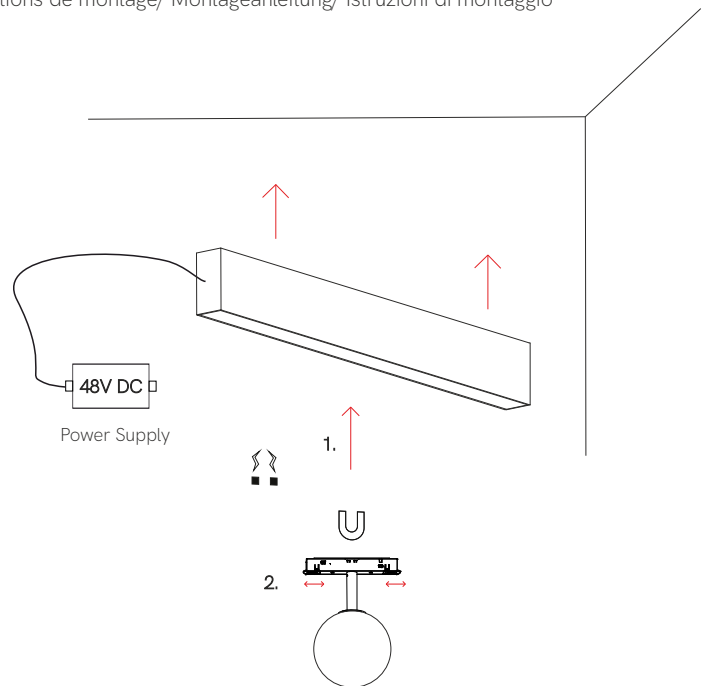
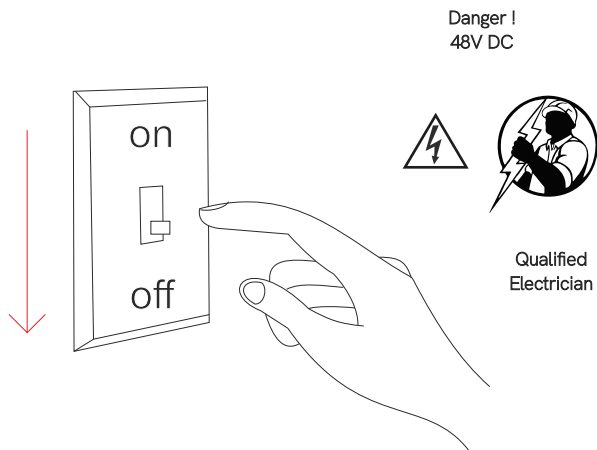
Sphere 48V



magnet track

5369, 5370, 5372, 5373

8W

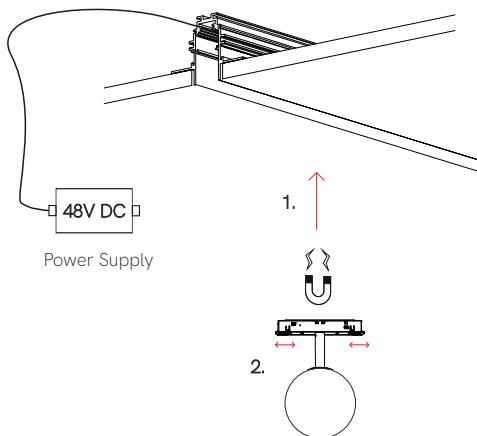
Instrucciones de montaje/ Assembly instructions/ Instructions de montage/ Montageanleitung/ Istruzioni di montaggio





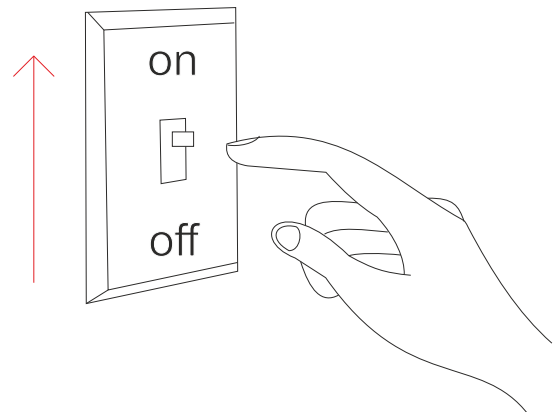
-  Lock to fix the piece
-  Unlock to remove the light

1.0

2.0 [View instructions page Magnet track accessories.](#)



-  Lock to fix the piece
-  Unlock to remove the light



3.0

4.0