

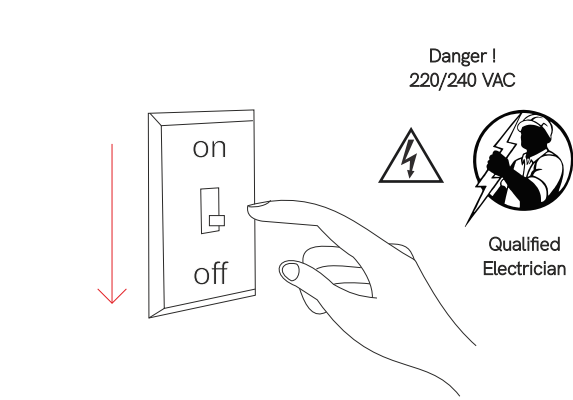
# Zoom 3PH

three phase track

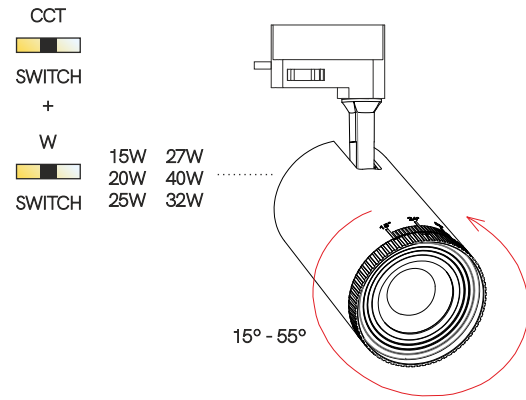
4900, 4901

Switch 15W/20W/25W

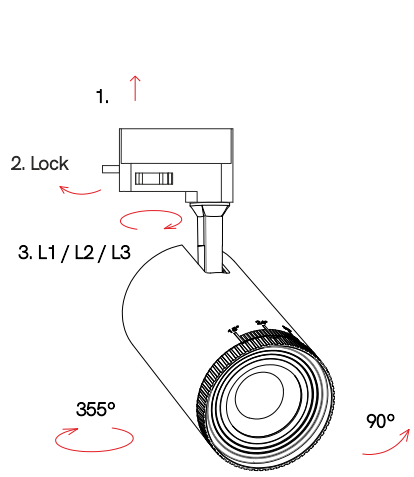
Instrucciones de montaje/ Assembly instructions/ Instructions de montage/ Montageanleitung/ Istruzioni di montaggio



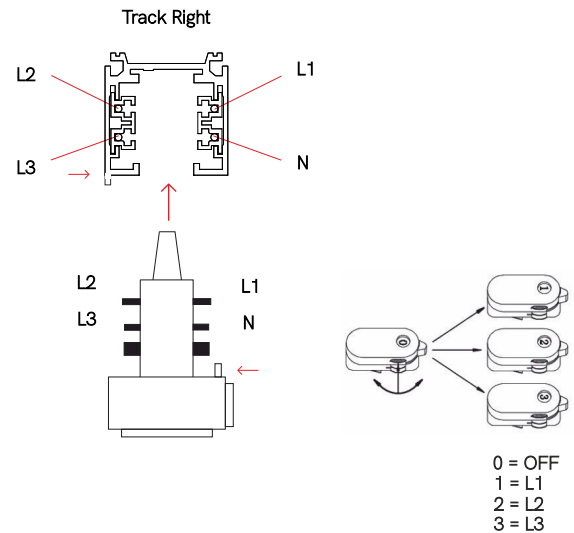
1.0



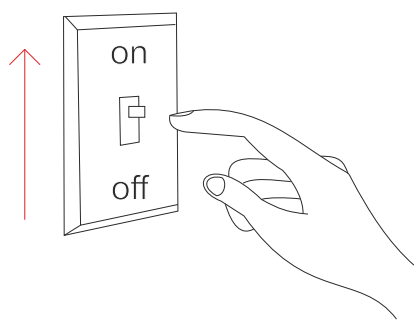
2.0



3.0



4.0



5.0