



Features

- Free standing combi refrigerator
- Full No Frost
- 4* Freezer
- Electronic Control with display on door
- Fingerprint proof treatment on door
- Freezing / Cooling Set Button
- Quick Cool Button
- Electronic adjustable thermostat
- LED Illumination from top
- Safety glass shelves
- 3 inner shelves and 5 door balconies
- 3 Freezer Drawers
- 1 ice tray
- 2 Vegetable drawers
- Reversible doors
- Net Volume: 295 liters
- Volumes Refrigerator/Freezer: 219/76 liters
- Autonomy: 15 hours
- 1 compressor , R600a (40 gr)

External dimensions

↑1880 mm →595 mm 635 mm

Color

- e-INOX

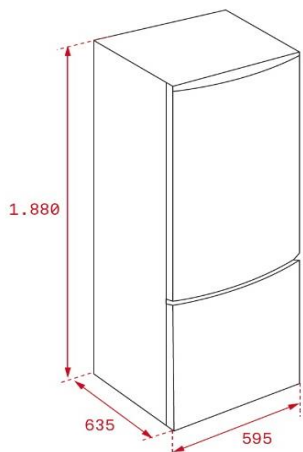
Reference

40672051

EAN 13

8421152160305

Technical drawing



Technical data

- Energy Efficiency class A++
- Climate Class N-T
- Energy Consumption 0,61 kWh/24h
- Freezing capacity 4 Kg/24h
- Annual consumption 224 kWh/year
- Noise level 40 dBA
- Power supply 220-240V/50 Hz