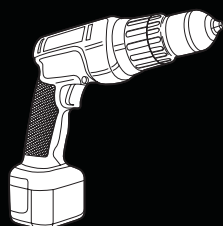
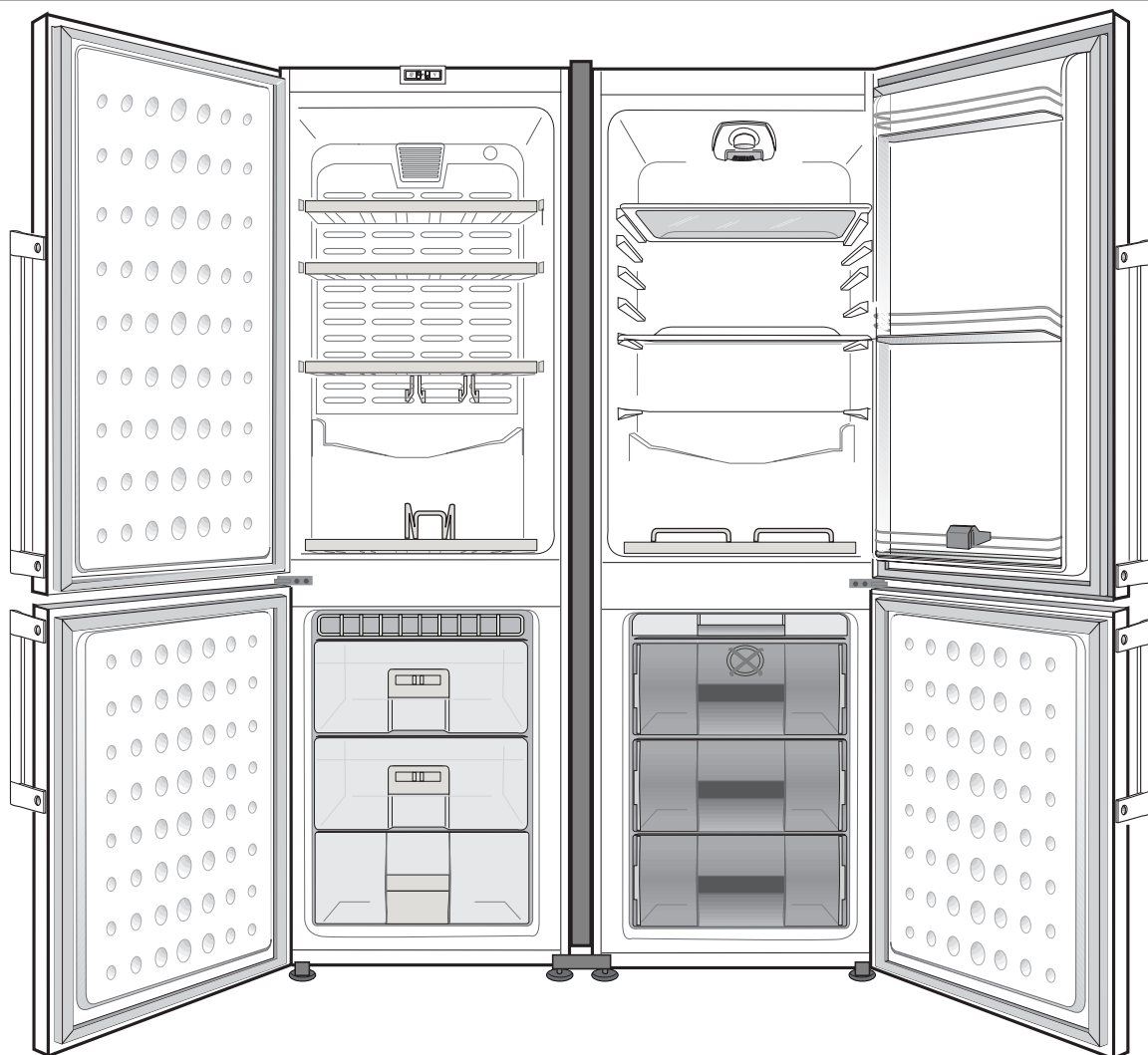
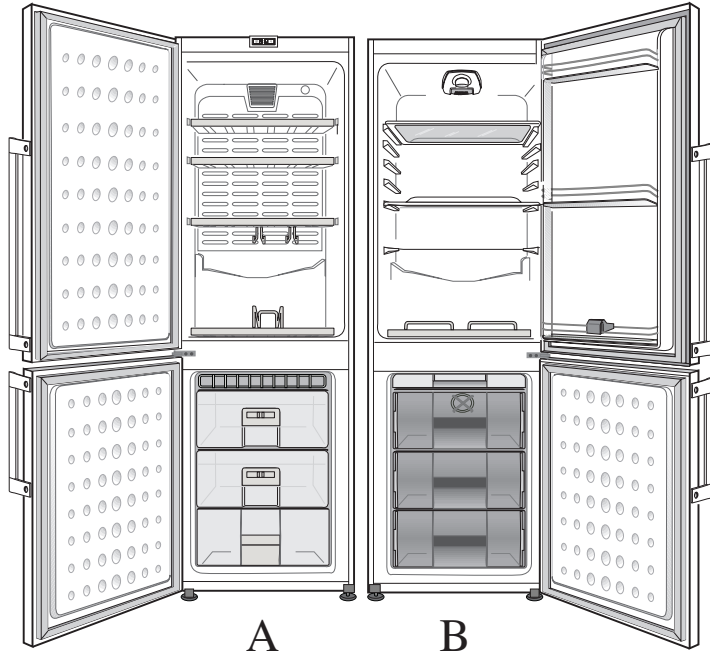


tr  
en  
de  
fr  
nl  
da  
es  
pt  
sv  
fi  
no  
el

Montaj Talimatları  
Installation instructions  
Hinweise zur installation und zum aufstellungsort  
Instructions d'installation  
Aanwijzingen voor de installatie  
Installation  
Instrucciones de instalación  
Instruções de instalação  
Installationsanvisningar  
Asennusohjeet  
Installasjon  
Οδηγίες εγκατάστασης



# DEFINITIONS

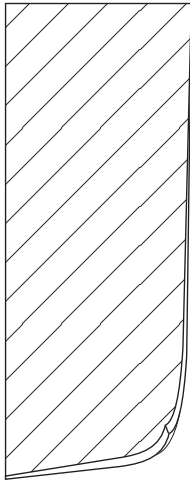


1-) Refrigerator A

2-) Refrigerator B



3-) Connection profile



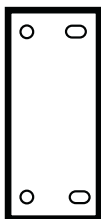
4-) Insulation sponge, large



5-) Insulation sponge, small



6-) Upper rear connection sheet iron



7-) Lower rear connection sheet iron

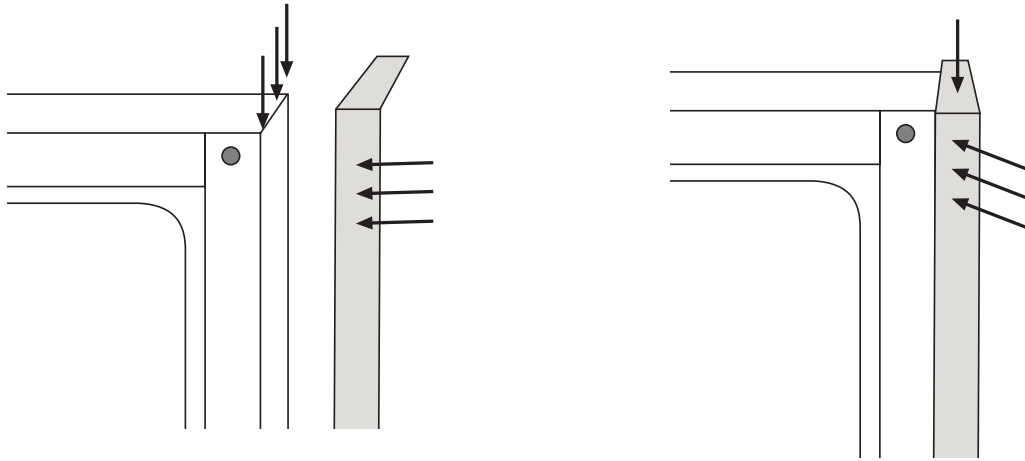


8-) Lower front connection sheet iron

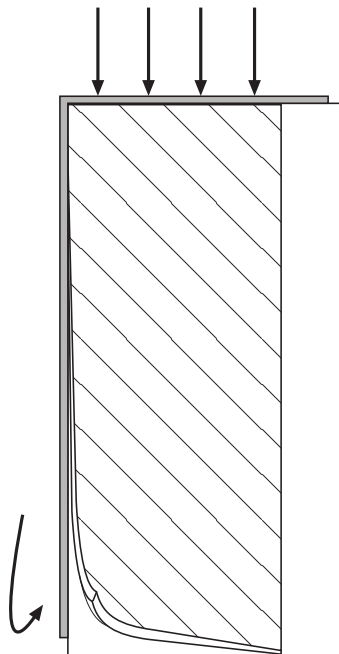


9-) PT screw

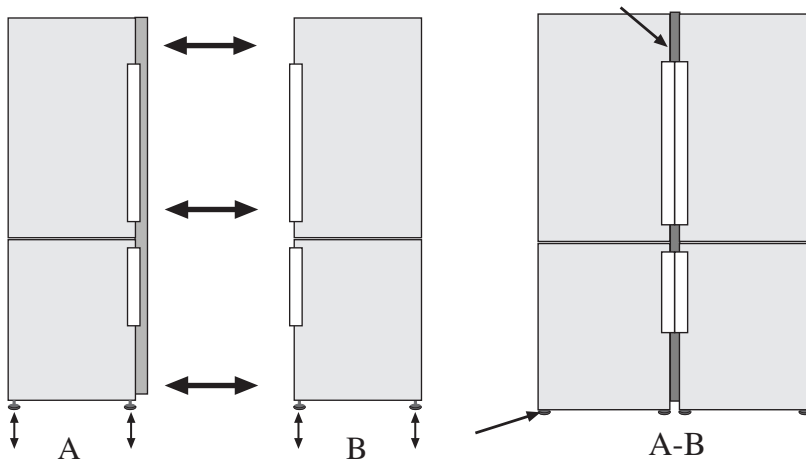
## MOUNTING



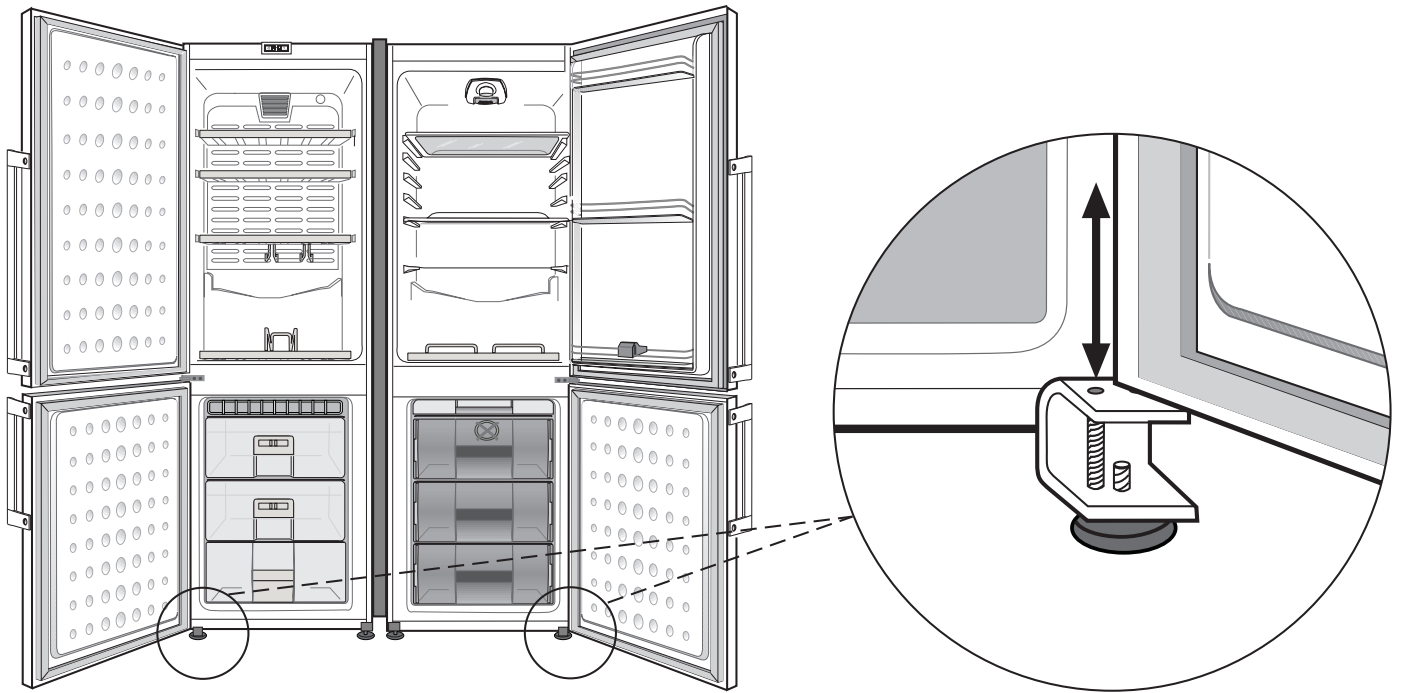
1- Adhesive papers on the skirt of the connection profile (3) are removed. Then, the connection profile (3) is affixed on the right panel of refrigerator (A) (1) with the aid of the adhesive surface on this skirt.



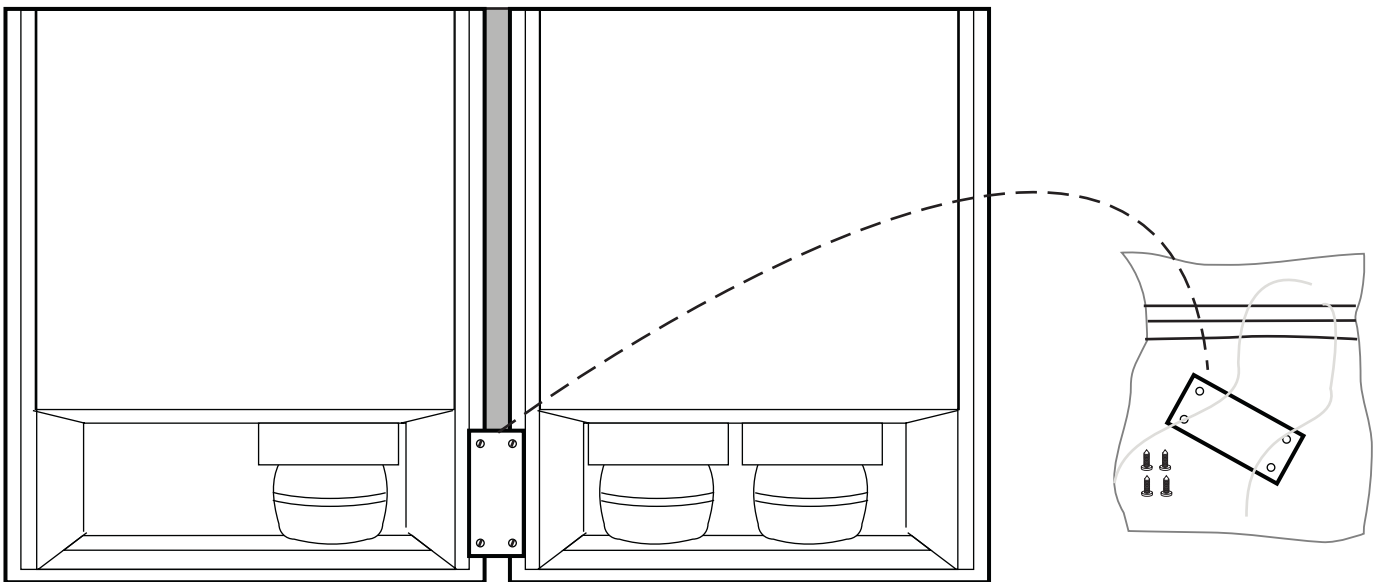
2- Adhesive paper on the side surface of the large insulation sponge (4) is removed. The sponge is affixed on the right surface of the refrigerator (A) from top to bottom taking the skirts of the connection profile (3) as reference.



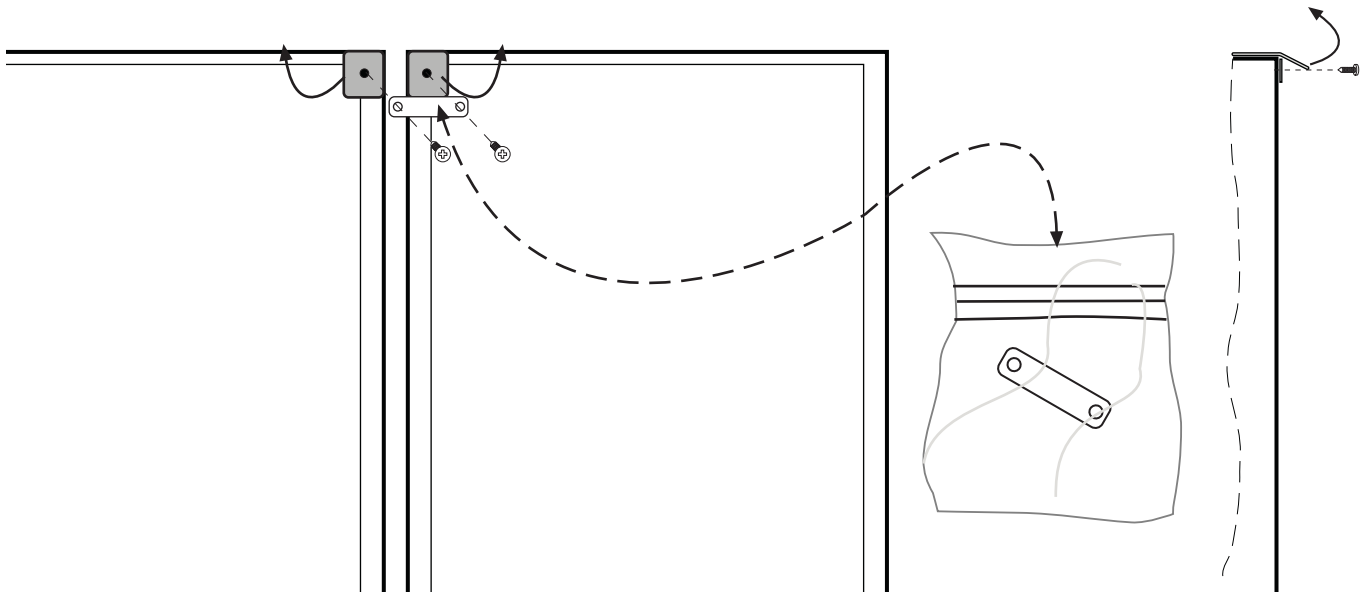
3- After affixing the large sponge (4) and the connection profile (3) refrigerators (A) and (B) are placed side by side roughly. Connection of the adjustment feet of refrigerators (A) and (B) with the floor is cut to allow the products stand on the wheels.



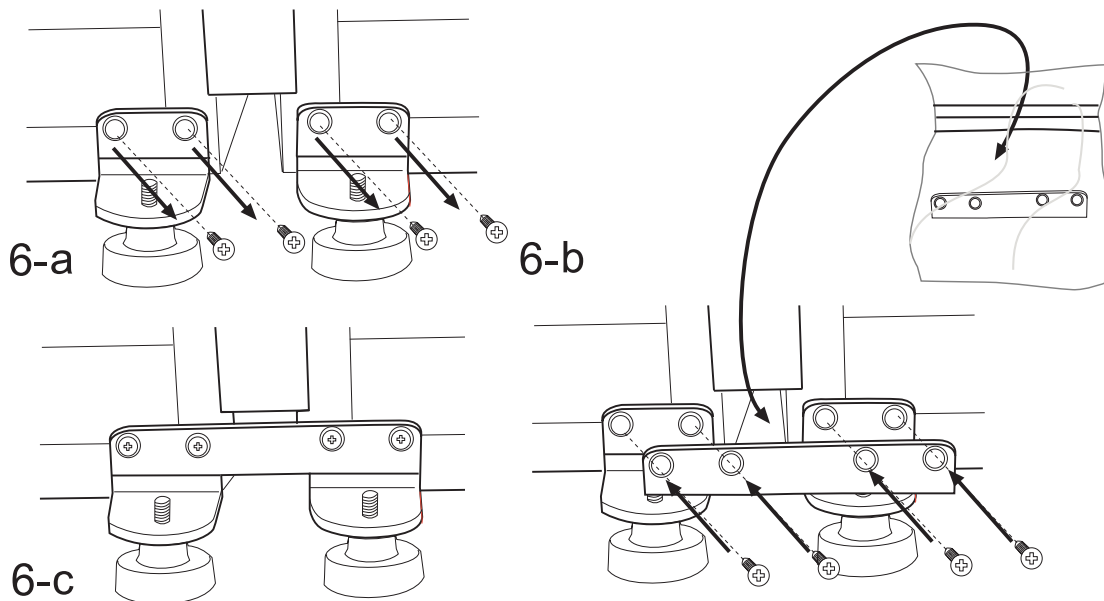
4- Screw pins on the lower hinges are removed from their place with the aid of a suitable wrench.



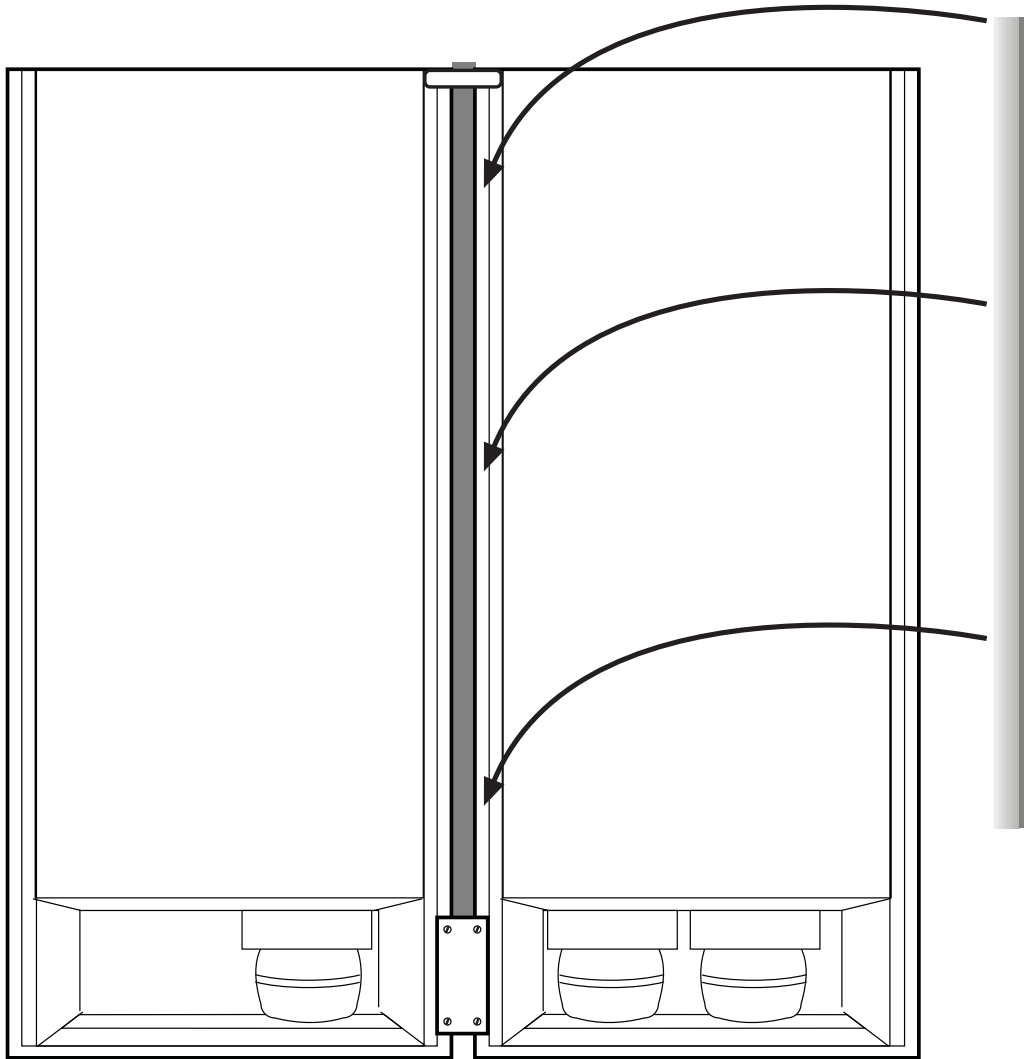
5- Mounting of the lower rear reinforcement (7) is made by screwing tightly the 4 pieces of PT screws (9) into slots at the lower rear sides of refrigerators (A) and (B).



6- Plastic caps at the upper rear connection zone of refrigerators (A) and (B) are removed. The upper rear connection sheet iron and the plastic caps on it are placed here and fixed by means of the previously removed screws.



7- Connection bolts of the adjustment feet on the lower front are removed. The lower front connection sheet iron (8) is moved onto the adjustment feet holders on refrigerators (A) and (B) to be fixed by means of the 4 screws. After completing the connection of sheet iron of the refrigerators, adjustment feet are loosened to establish a contact with floor.



8- The small insulation sponge (5) is placed at the back part as to fill in the gap between refrigerators (A) and (B).