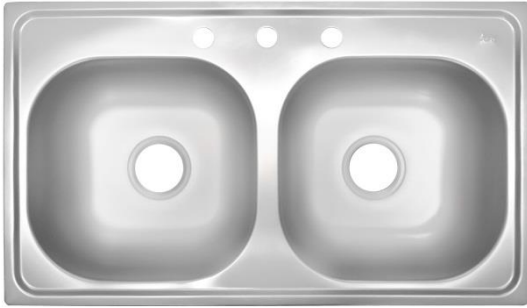


840.483 2B (33.19) 6"

Stainless steel kitchen sink
Topmount

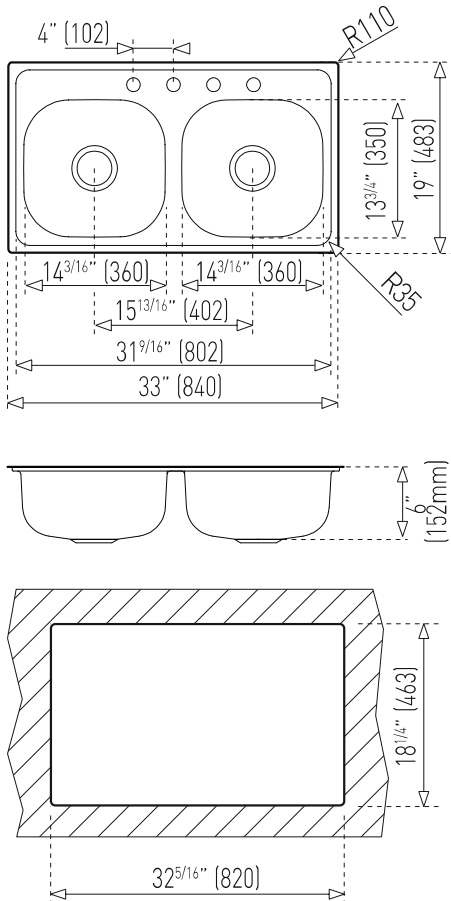
TEKA



Material: Stainless steel
Finish: Polished
Installation: Topmount
Drain size: 3 1/2"
Gauge: 24
Tap holes: 1, 2, 3 or 4
SilentSmart system
Includes: installation hardware

Dimensions:

External (L/W): 33" x 19" (840 x 483 mm)
Bowls (L/W/D): 14 3/16" x 13 3/4" x 6" (360 x 350 x 152 mm)



Tap holes	Code	UPC	Packaging
4	81911422014	606896819117	Cardboard protector
3	81911322014	606896819070	Cardboard protector
1	81911122014	606896819148	Cardboard protector



Limited lifetime warranty for TEKA stainless steel kitchen sinks.
See our website for more details.



Product compliance:
ADA & ICC A117.1
ASME A112.19.3/CSA B45.4



Sinks are listed by IAPMO as meeting the applicable requirements of the Uniform Plumbing Code, International Plumbing Code, and National Plumbing Code of Canada.



Complies with ADA & ICC A117.1 accessibility requirements when installed according to the requirements outlined in these standards.

