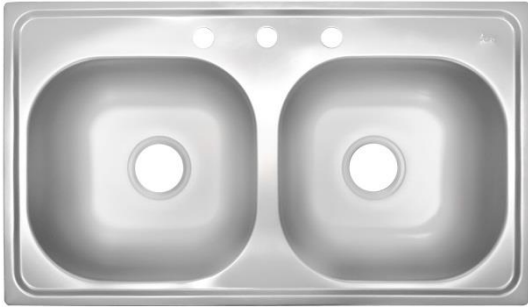


840.483 2B (33.19) 8"

Stainless steel kitchen sink
Topmount

TEKA

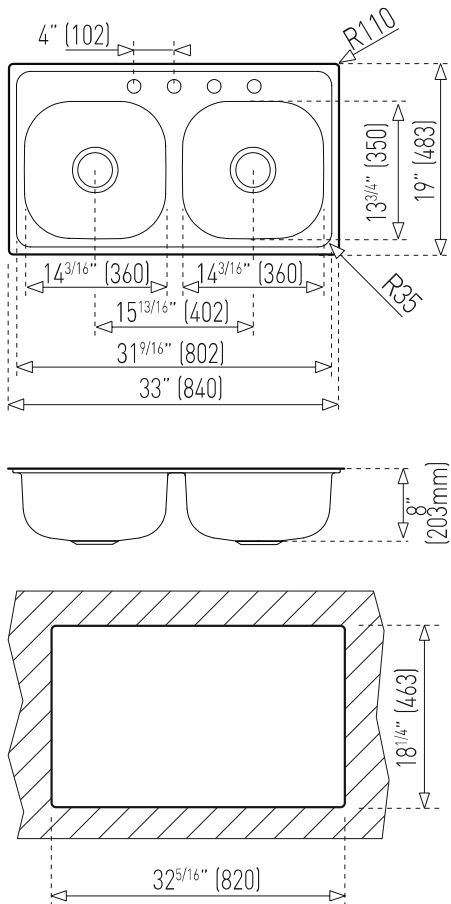


Material: Stainless steel
Finish: Polished
Installation: Topmount
Drain size: 3 1/2"
Gauge: 20
Tap holes: 1, 2, 3 or 4
SilentSmart system
Includes: installation hardware

Dimensions:

External (L/W): 33" x 19" (840 x 483 mm)

Bowls (L/W/D): 14 3/16" x 13 3/4" x 8" (360 x 350 x 203 mm)



Tap holes	Code	UPC	Packaging
4	81611422014	606896816147	Cardboard protector
3	81611322014	606896816161	Cardboard protector
1	81611122014	606896816154	Cardboard protector



Limited lifetime warranty for TEKA stainless steel kitchen sinks.
See our website for more details.



Product compliance:
ASME A112.19.3/CSA B45.4



Sinks are listed by IAPMO as meeting the applicable requirements of the Uniform Plumbing Code, International Plumbing Code, and National Plumbing Code of Canada.

