



TEKA

User Manual

TKI3 145 D EU
RSL 41150 BU EU

EN
DE
FR
ES
NL

www.teka.com

Please read this user manual first!

Dear Customer,

We hope that your product, which has been produced in modern plants and checked under the most meticulous quality control procedures, will provide you an effective service.

Therefore, read this entire user manual carefully before using the product and keep it as a reference. If you handover the product to someone else, give the user manual as well.

The user manual will help you use the product in a fast and safe way.


- Read the manual before installing and operating the product.
- Make sure you read the safety instructions.
- Keep the manual in an easily accessible place as you may need it later.
- Read the other documents given with the product.

Remember that this user manual is also applicable for several other models. Differences between models will be identified in the manual.






Explanation of symbols

Throughout this user manual the following symbols are used:

 Important information or useful tips.

 Warning against dangerous conditions for life and property.

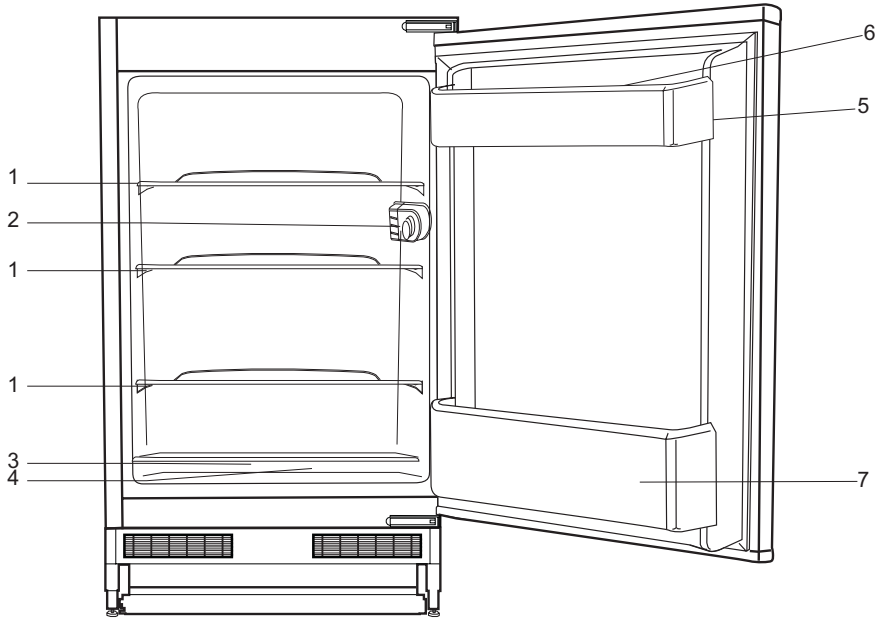
 Warning against electric voltage.

 INFORMATION	
 The label features the European Union flag and the word "ENERGY" with a lightning bolt symbol.	
SUPPLIER'S NAME → 	MODEL IDENTIFIER (*) ← 
The model information as stored in the product data base can be reached by entering following website and searching for your model identifier (*) found on energy label. https://eprel.ec.europa.eu/	

CONTENTS

1 Your Refrigerator	3	4 Preparation	13
2 Safety and Environment Instructions	4	5 Using your refrigerator	14
General Safety.....	4	Setting the operating temperature ...	14
Intended Use.....	6	The operating temperature is regulated by the temperature control.....	14
Child Safety.....	7	Temperature Control And Adjustment.....	14
Compliance with WEEE Directive and Disposing of the Waste Product.....	7	Defrosting.....	15
Compliance with RoHS Directive	7	Stopping your product.....	15
Package Information.....	7	6 Maintenance and cleaning	16
3 Installation	8	Protection of plastic surfaces	16
Points to be paid attention to when the relocation of the refrigerator	8	7 Troubleshooting	17
Before you start the refrigerator,.....	8		
Electrical connection.....	8		
Disposing of the packaging	9		
Disposing of your old refrigerator	9		
Placing and Installation	9		
Placing the refrigerator under the counter and adjusting the legs.....	10		
Changing the illumination lamp	11		
Reversing the doors	12		

1 Your Refrigerator








1. Body shelves
2. Bulb thermostate box
3. Meat, sausages, cold cuts, cans.
4. Fruit, vegetables, salads.
5. Tubes, small bottles and cans.
6. Egg compartment
7. Beverages, large bottles.

i The figures in this manual are schematic, and they may not be in exact accordance with your product. If the product you purchased does not have the related parts, then they are valid are for other models.

This section provides the safety instructions necessary to prevent the risk of injury and material damage. Failure to observe these instructions will invalidate all types of product warranty.

Intended use

	<p>WARNING:</p> <p>Keep ventilation openings, in the appliance enclosure or in the built-in structure, clear of obstruction.</p>
	<p>WARNING:</p> <p>Do not use mechanical devices or other means to accelerate the defrosting process, other than those recommended by the manufacturer.</p>
	<p>WARNING:</p> <p>Do not damage the refrigerant circuit.</p>
	<p>WARNING:</p> <p>Do not use electrical appliances inside the food storage compartments of the appliance, unless they are of the type recommended by the manufacturer.</p>
	<p>WARNING:</p> <p>Do not store explosive substances such as aerosol cans with a flammable propellant in this appliance.</p>

This appliance is intended to be used in household and similar applications such as

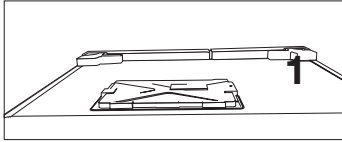
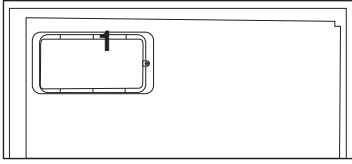
- staff kitchen areas in shops, offices and other working environments;

- farm houses and by clients in hotels, motels and other residential type environments;

- bed and breakfast type environments;
- catering and similar non-retail applications.

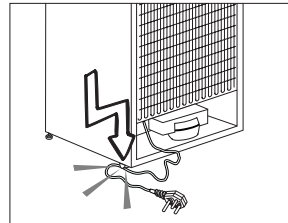
General Safety

- This product should not be used by persons with physical, sensory and mental disabilities, without sufficient knowledge and experience or by children. The device can only be used by such persons under supervision and instruction of a person responsible for their safety. Children should not be allowed to play with this device.
- In case of malfunction, unplug the device.
- After unplugging, wait at least 5 minutes before plugging in again.
- Unplug the product when not in use.
- Do not touch the plug with wet hands! Do not pull the cable to plug off, always hold the plug.
- Do not plug in the refrigerator if the socket is loose.
- Unplug the product during installation, maintenance, cleaning and repair.
- If the product will not be used for a while, unplug the product and remove any food inside.
- Do not use the product when the compartment with circuit cards located on the upper back part of the product (electrical card box cover) (1) is open.



- Do not use steam or steamed cleaning materials for cleaning the refrigerator and melting the ice inside. Steam may contact the electrified areas and cause short circuit or electric shock!
- Do not wash the product by spraying or pouring water on it! Danger of electric shock!
- In case of malfunction, do not use the product, as it may cause electric shock. Contact the authorized service before doing anything.
- Plug the product into an earthed socket. Earthing must be done by a qualified electrician.
- If the product has LED type lighting, contact the authorized service for replacing or in case of any problem.
- Do not touch frozen food with wet hands! It may adhere to your hands!
- Do not place liquids in bottles and cans into the freezer compartment. They may burst out!
- Place liquids in upright position after tightly closing the lid.
- Do not spray flammable substances near the product, as it may burn or explode.

- Do not keep flammable materials and products with flammable gas (sprays, etc.) in the refrigerator.
- Do not place containers holding liquids on top of the product. Splashing water on an electrified part may cause electric shock and risk of fire.
- Exposing the product to rain, snow, sunlight and wind will cause electrical danger. When relocating the product, do not pull by holding the door handle. The handle may come off.
- Take care to avoid trapping any part of your hands or body in any of the moving parts inside the product.
- Do not step or lean on the door, drawers and similar parts of the refrigerator. This will cause the product to fall down and cause damage to the parts.
- Take care not to trap the power cable.



- When positioning the appliance, ensure the supply cord is not trapped or damaged.
- Do not locate multiple portable socket-outlets or portable power supplies at the rear of the appliance.
- Children aged from 3 to 8 years are allowed to load and unload refrigerating appliances.

- To avoid contamination of food, please respect the following instructions:
- – Opening the door for long periods can cause a significant increase of the temperature in the compartments of the appliance.
- – Clean regularly surfaces that can come in contact with food and accessible drainage systems.
- – Clean water tanks if they have not been used for 48 h; flush the water system connected to a water supply if water has not been drawn for 5 days.
- – Store raw meat and fish in suitable containers in the refrigerator, so that it is not in contact with or drip onto other food.
- – Two-star frozen-food compartments are suitable for storing pre-frozen food, storing or making icecream and making ice cubes.
- – One-, two- and three-star compartments are not suitable for the freezing of fresh food.
- – If the refrigerating appliance is left empty for long periods, switch off, defrost, clean, dry, and leave the door open to prevent mould developing within the appliance.
- type Y attachment: method of attachment of the cable or cord such that any replacement can only be made by the manufacturer, his service agent.

HC Warning

If the product comprises a cooling system using R600a gas, take care to avoid damaging the cooling system and its pipe while using and moving the product. This gas is flammable. If the

cooling system is damaged, keep the product away from sources of fire and ventilate the room immediately.



The label on the inner left side indicates the type of gas used in the product.

For Models with Water Dispenser

- Pressure for cold water inlet shall be maximum 90 psi (6.2 bar). If your water pressure exceeds 80 psi (5.5 bar), use a pressure limiting valve in your mains system. If you do not know how to check your water pressure, ask for the help of a professional plumber.
- If there is risk of water hammer effect in your installation, always use a water hammer prevention equipment in your installation. Consult Professional plumbers if you are not sure that there is no water hammer effect in your installation.
- Do not install on the hot water inlet. Take precautions against of the risk of freezing of the hoses. Water temperature operating interval shall be 33°F (0.6°C) minimum and 100°F (38°C) maximum.
- Use drinking water only.

Intended Use

- This product is designed for home use. It is not intended for commercial use.
- The product should be used to store food and beverages only.

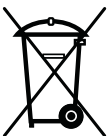
- Do not keep sensitive products requiring controlled temperatures (vaccines, heat sensitive medication, medical supplies, etc.) in the refrigerator.
- The manufacturer assumes no responsibility for any damage due to misuse or mishandling.
- Original spare parts will be provided for 10 years, following the product purchasing date.

Child Safety

- Keep packaging materials out of children's reach.
- Do not allow the children to play with the product.
- If the product's door comprises a lock, keep the key out of children's reach.

Compliance with WEEE Directive and Disposing of the Waste Product

This product complies with EU WEEE Directive (2012/19/EU). This product bears a classification symbol for waste electrical and electronic equipment (WEEE).



This product has been manufactured with high quality parts and materials which can be reused and are suitable for recycling.

Do not dispose of the waste product with normal domestic and other wastes at the end of its service life. Take it to the collection center for the recycling of electrical and electronic equipment. Please consult your local authorities to learn about these collection centers.

Compliance with RoHS Directive

- This product complies with EU WEEE Directive (2011/65/EU). It does not contain harmful and prohibited materials specified in the Directive.

Package Information

Packaging materials of the product are manufactured from recyclable materials in accordance with our National Environment Regulations. Do not dispose of the packaging materials together with the domestic or other wastes. Take them to the packaging material collection points designated by the local authorities.

3 Installation

⚠ In case the information which are given in the user manual are not taken into account, manufacturer will not assume any liability for this.

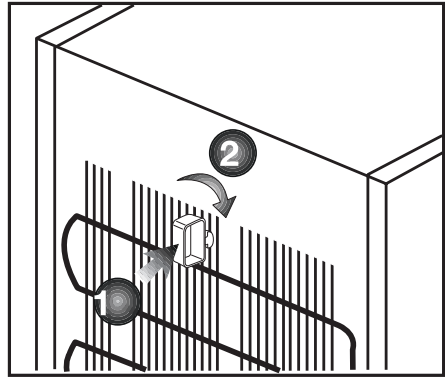
Points to be paid attention to when the relocation of the refrigerator

1. Your refrigerator should be unplugged. Before transportation of your refrigerator, it should be emptied and cleaned.
2. Before it is re-packaged, shelves, accessories, crisper, etc. inside your refrigerator should be fixed with adhesive tape and secured against impacts. Package should be bound with a thick tape or sound ropes and the transportation rules on the package should be strictly observed.
3. Original packaging and foam materials should be kept for future transportations or moving.

Before you start the refrigerator,

Check the following before you start to use your refrigerator:

1. Attach 2 plastic wedges as illustrated below. Plastic wedges are intended to keep the distance which will ensure the air circulation between your refrigerator and the wall. (The picture is drawn up as a representation and it is not identical with your product.)
2. Clean the interior of the refrigerator as recommended in the "Maintenance and cleaning" section.



3. Connect the plug of the refrigerator to the wall socket. When the fridge door is opened, fridge internal lamp will turn on.
4. When the compressor starts to operate, a sound will be heard. The liquid and gases sealed within the refrigeration system may also give rise to noise, even if the compressor is not running and this is quite normal.
5. Front edges of the refrigerator may feel warm. This is normal. These areas are designed to be warm to avoid condensation.

Electrical connection

Connect your product to a grounded socket which is being protected by a fuse with the appropriate capacity. Important:

- The connection must be in compliance with national regulations.
- The power plug must be easily accessible after installation.
 - Electrical safety of your refrigerator shall be guaranteed only if the earth system in your house complies with standards.

- The voltage stated on the label located at left inner side of your product should be equal to your network voltage.

- **Extension cables and multi plugs must not be used for connection.**

⚠ A damaged power cable must be replaced by a qualified electrician.

⚠ Product must not be operated before it is repaired! There is the risk of electric shock!

Disposing of the packaging

The packing materials may be dangerous for children. Keep the packing materials out of the reach of children or dispose of them by classifying them in accordance with the waste instructions stated by your local authorities. Do not throw away with regular house waste, throw away on packaging pick up spots designated by the local authorities.

The packing of your refrigerator is produced from recyclable materials.

Disposing of your old refrigerator

Dispose of your old refrigerator without giving any harm to the environment.

- You may consult your authorized dealer or waste collection center of your municipality about the disposal of your refrigerator.

Before disposing of your refrigerator, cut out the electric plug and, if there are any locks on the door, make them inoperable in order to protect children against any danger.

Placing and Installation

⚠ If the entrance door of the room where the refrigerator will be installed is not wide enough for the refrigerator to pass through, then call the authorized service to have them remove the doors of your refrigerator and pass it sideways through the door.

1. Install your refrigerator to a place that allows ease of use.

2. Keep your refrigerator away from heat sources, humid places and direct sunlight.

3. There must be appropriate air ventilation around your refrigerator in order to achieve an efficient operation. If the refrigerator is to be placed in a recess in the wall, there must be at least 5 cm distance with the ceiling and at least 5 cm with the wall. Do not place your product on the materials such as rug or carpet.

4. Place your refrigerator on an even floor surface to prevent jolts.

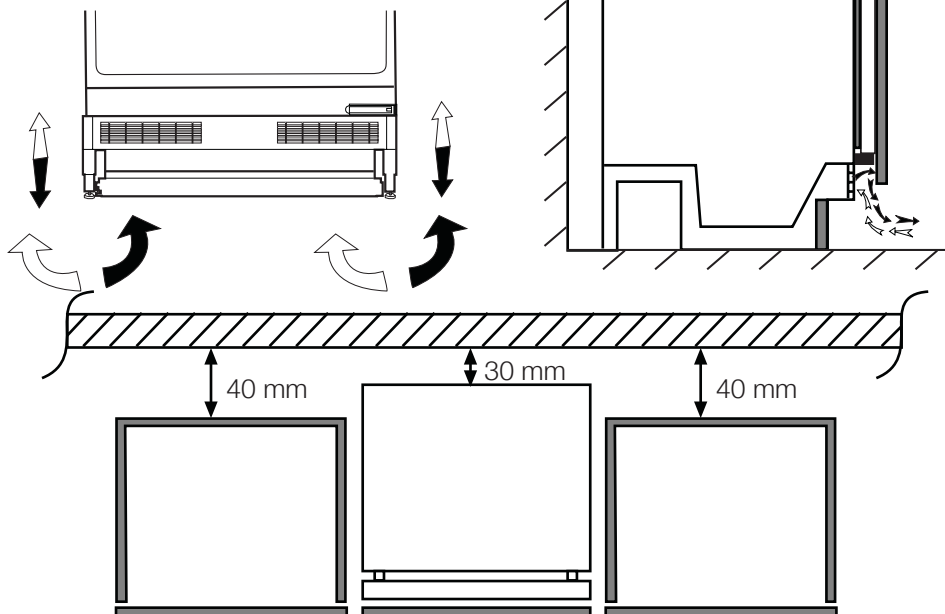
Placing the refrigerator under the counter and adjusting the legs

When you place your refrigerator, the distance between the product and the wall must be at least 30 mm, as seen in the figure.

The air ventilation channels must not be blocked so that the performance of your refrigerator does not decrease. (140 cm²)

If your refrigerator is unstable;

You may turn the front legs of your refrigerator as seen in the figure to balance it. The corner of the leg lowers when the leg is turned in the direction of the black arrow; it rises when the leg is turned in the opposite direction. It will be easier for you when you get some help from someone to lift the unit a little during this process.




Changing the illumination lamp

To change the Bulb/LED used for illumination of your refrigerator, call your AuthorisedService.

The lamp(s) used in this appliance is not suitable for household room illumination. The intended purpose of this lamp is to assist the user to place foodstuffs in the refrigerator/freezer in a safe and comfortable way. The lamps used in this appliance have to withstand extreme physical conditions such as temperatures below -20 °C.

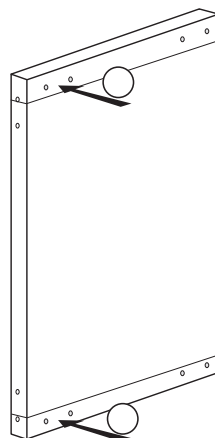
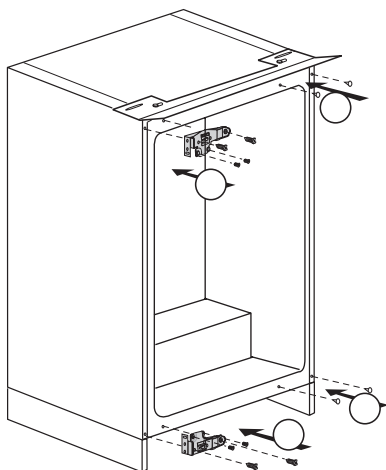
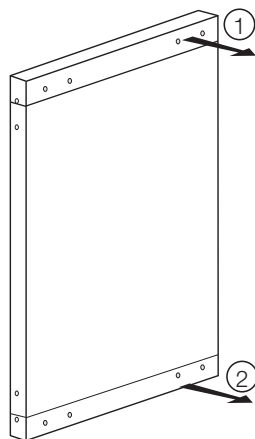
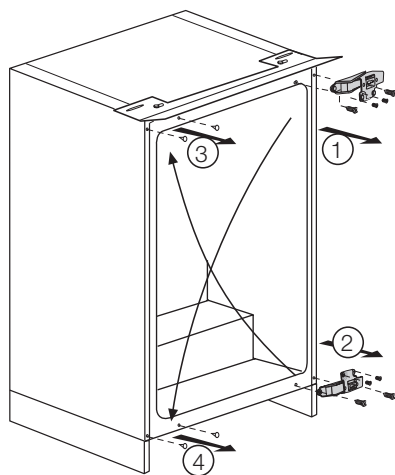
(only chest and upright freezer)

 This product is equipped with a lighting source of the "G" energy class.

The lighting source in this product shall only be replaced by professional repairers.

Reversing the doors

Proceed in numerical order

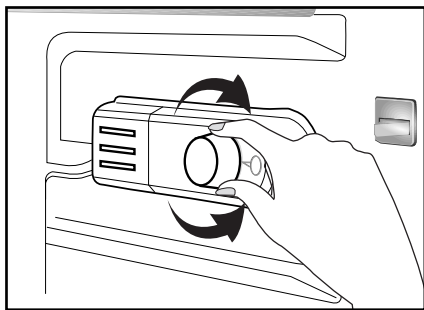


4 Preparation

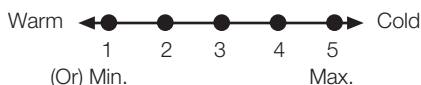
- Your refrigerator should be installed at least 30 cm away from heat sources such as hobs, ovens, central heater and stoves and at least 5 cm away from electrical ovens and should not be located under direct sunlight.
- The ambient temperature of the room where you install your refrigerator should at least be 10°C. Operating your refrigerator under cooler conditions is not recommended with regard to its efficiency.
- Please make sure that the interior of your refrigerator is cleaned thoroughly.
- If two refrigerators are to be installed side by side, there should be at least 2 cm distance between them.
- When you operate your refrigerator for the first time, please observe the following instructions during the initial six hours.
- The door should not be opened frequently.
- It must be operated empty without any food in it.
- Do not unplug your refrigerator. If a power failure occurs out of your control, please see the warnings in the “Recommended solutions for the problems” section.
- Original packaging and foam materials should be kept for future transportations or moving.
- The baskets/drawers that are provided with the chill compartment must always be in use for low energy consumption and for better storage conditions.
- Food contact with the temperature sensor in the freezer compartment may increase energy consumption of the appliance. Thus any contact with the sensor(s) must be avoided.
- In some models, the instrument panel automatically turns off 5 minutes after the door has closed. It will be reactivated when the door has opened or pressed on any key.
- Due to temperature change as a result of opening/closing the product door during operation, condensation on the door/body shelves and the glass containers is normal

5 Using your refrigerator

Setting the operating temperature



The operating temperature is regulated by the temperature control.



1 = Lowest cooling setting (Warmest setting)

5 = Highest cooling setting (Coldest setting)

(Or)

Min. = Lowest cooling setting (Warmest setting)

Max. = Highest cooling setting (Coldest setting)

The average temperature inside the fridge should be around $+5^{\circ}\text{C}$.

Please choose the setting according to the desired temperature.

Please note that there will be different temperatures in the cooling area.

The coldest region is immediately above the vegetable compartment.

The interior temperature also depends on ambient temperature, the frequency with which the door is opened and the amount of foods kept inside.

Frequently opening the door causes the interior temperature to rise.

For this reason, it is recommended to close the door again as soon as possible after use.

Temperature Control And Adjustment

Operating temperatures are controlled by the thermostat (see diagram). Settings may be made from 1 to 5, the coldest position. When the appliance is switched on for the first time, the thermostat should be adjusted so that after 24 hours, the average fridge temperature is no higher than $+5^{\circ}\text{C}$ ($+41^{\circ}\text{F}$).

We recommend you set the thermostat halfway between the 1 and 5 setting and monitor to obtain the desired temperature i. e. towards 5 you will obtain a colder fridge temperature and vice versa. Some sections of the fridge may be cooler or warmer (such as the salad crisper and the top part of the cabinet) which is quite normal.

Over ambient temperatures of 25°C (77°F) especially in summer turn the thermostat knob towards 5. Under ambient temperatures of 25°C (77°F) turn the thermostat knob to a half way position.

Frequent door opening cause higher internal temperatures, so close the door as soon as possible after use.

5

In case of a temporary ice build up in the fridge compartment reduce the thermostat setting to 1, monitoring at the same time that the fridge temperature is maximum +5 degrees C (41 degrees F). Once the ice build up disappears and the appliance starts auto defrosting again as normal, then you may increase the thermostat setting, if required.

-

4

-

3

-

2

-

1

-

0

Stopping your product

If your thermostat is equipped with “0” position:

- Your product will stop operating when you turn the thermostat button to “0” (zero) position. Your product will not start unless you turn the thermostat button to position “1” or one of the other positions again.

If your thermostat is equipped with “min” position:

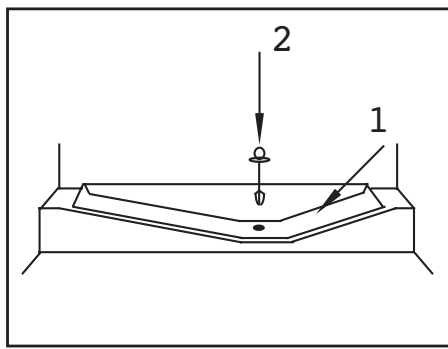
- Unplug your product to stop it.

Defrosting

The larder fridge defrosts automatically. The defrosting water runs to the drain tube via a collection channel and is evaporated in a special container (1) at the back of the appliance (see diagram).

During defrosting water droplets may format the back of the larder fridge where concealed evaporator is located. Some droplets may remain on the liner and refreeze when defrosting is completed. Do not use pointed or sharp edged objects such as knives, forks to remove the droplets which have refrozen.

If at any time the defrost water does not drain from the collection channel, check to ensure that no food particles have blocked the drain tube. The drain tube can be cleared by pushing the special plastic plunger provided down the drain tube (2).



6 Maintenance and cleaning

- ⚠ Never use gasoline, benzene or similar substances for cleaning purposes.
- ⚠ We recommend that you unplug the appliance before cleaning.
- ⚠ Never use any sharp abrasive instrument, soap, household cleaner, detergent and wax polish for cleaning.
- ℹ Use lukewarm water to clean the cabinet of your refrigerator and wipe it dry.
- ℹ Use a damp cloth wrung out in a solution of one teaspoon of bicarbonate of soda to one pint of water to clean the interior and wipe it dry.
- ⚠ Make sure that no water enters the lamp housing and other electrical items.
- ⚠ If your refrigerator is not going to be used for a long period of time, unplug the power cable, remove all food, clean it and leave the door ajar.
- ℹ Check door seals regularly to ensure they are clean and free from food particles.
- ⚠ To remove door racks, remove all the contents and then simply push the door rack upwards from the base.
- ⚠ Never use cleaning agents or water that contain chlorine to clean the outer surfaces and chromium coated parts of the product. Chlorine causes corrosion on such metal surfaces.
- ⚠ Do not use sharp, abrasive tools, soap, household cleaning agents, detergents, kerosene, fuel oil, varnish etc. to prevent removal and deformation of the prints on the plastic part. Use lukewarm water and a soft cloth for cleaning and then wipe it dry.

Protection of plastic surfaces

- ℹ Do not put the liquid oils or oil-cooked meals in your refrigerator in unsealed containers as they damage the plastic surfaces of your refrigerator. In case of spilling or smearing oil on the plastic surfaces, clean and rinse the relevant part of the surface at once with warm water.

7 Troubleshooting

Please review this list before calling the service. It will save your time and money. This list includes frequent complaints that are not arising from defective workmanship or material usage. Some of the features described here may not exist in your product.

The refrigerator does not operate.

- The plug is not inserted into the socket correctly. >>>Insert the plug into the socket securely.
- The fuse of the socket which your refrigerator is connected to or the main fuse have blown out. >>>Check the fuse.

Condensation on the side wall of the fridge compartment (MULTIZONE, COOL CONTROL and FLEXI ZONE).

- Ambient is very cold. >>>Do not install the refrigerator in places where the temperature falls below 10 °C.
- Door has been opened frequently. >>>Do not open and close the door of refrigerator frequently.
- Ambient is very humid. >>>Do not install your refrigerator into highly humid places.
- Food containing liquid is stored in open containers. >>>Do not store food with liquid content in open containers.
- Door of the refrigerator is left ajar. >>>Close the door of the refrigerator.
- Thermostat is set to a very cold level. >>>Set the thermostat to a suitable level.

Compressor is not running

- Protective thermic of the compressor will blow out during sudden power failures or plug-out plug-ins as the refrigerant pressure in the cooling system of the refrigerator has not been balanced yet. The refrigerator will start running approximately after 6 minutes. Please call the service if the refrigerator does not startup at the end of this period.
- The fridge is in defrost cycle. >>>This is normal for a full-automatically defrosting refrigerator. Defrosting cycle occurs periodically.
- The refrigerator is not plugged into the socket. >>>Make sure that the plug is fit into the socket.
- Temperature settings are not made correctly. >>>Select the suitable temperature value.
- There is a power outage. >>>Refrigerator returns to normal operation when the power restores.

The operation noise increases when the refrigerator is running.
<ul style="list-style-type: none"> The operating performance of the refrigerator may change due to the changes in the ambient temperature. It is normal and not a fault.
The refrigerator is running frequently or for a long time.
<ul style="list-style-type: none"> New product may be wider than the previous one. Larger refrigerators operate for a longer period of time. The room temperature may be high. >>>It is normal that the product operates for longer periods in hot ambient. The refrigerator might be plugged in recently or might be loaded with food. >>>When the refrigerator is plugged in or loaded with food recently, it will take longer for it to attain the set temperature. This is normal. Large amounts of hot food might be put in the refrigerator recently. >>>Do not put hot food into the refrigerator. Doors might be opened frequently or left ajar for a long time. >>>The warm air that has entered into the refrigerator causes the refrigerator to run for longer periods. Do not open the doors frequently. Freezer or fridge compartment door might be left ajar. >>>Check if the doors are closed completely. The refrigerator is adjusted to a very low temperature. >>>Adjust the refrigerator temperature to a warmer degree and wait until the temperature is achieved. Door seal of the fridge or freezer may be soiled, worn out, broken or not properly seated. >>>Clean or replace the seal. Damaged/broken seal causes the refrigerator to run for a longer period of time in order to maintain the current temperature.
Freezer temperature is very low while the fridge temperature is sufficient.
<ul style="list-style-type: none"> The freezer temperature is adjusted to a very low value. >>>Adjust the freezer temperature to a warmer degree and check.
Fridge temperature is very low while the freezer temperature is sufficient.
<ul style="list-style-type: none"> The fridge temperature is adjusted to a very low value. >>>Adjust the fridge temperature to a warmer degree and check.
Food kept in the fridge compartment drawers is frozen.
<ul style="list-style-type: none"> The fridge temperature is adjusted to a very high value. >>>Adjust the fridge temperature to a lower value and check.

Temperature in the fridge or freezer is very high.

- The fridge temperature is adjusted to a very high value. >>>Fridge compartment temperature setting has an effect on the temperature of the freezer. Change the temperatures of the fridge or freezer and wait until the relevant compartments attain a sufficient temperature.
- Doors are opened frequently or left ajar for a long time. >>>Do not open the doors frequently.
- Door is ajar. >>>Close the door completely.
- The refrigerator is plugged in or loaded with food recently. >>>This is normal. When the refrigerator is plugged in or loaded with food recently, it will take longer for it to attain the set temperature.
- Large amounts of hot food might be put in the refrigerator recently. >>>Do not put hot food into the refrigerator.

• Vibrations or noise.

- The floor is not level or stable. >>> If the refrigerator rocks when moved slowly, balance it by adjusting its feet. Also make sure that the floor is strong enough to carry the refrigerator, and level.
- The items put onto the refrigerator may cause noise. >>>Remove the items on top of the refrigerator.

There are noises coming from the refrigerator like liquid flowing, spraying, etc.

- Liquid and gas flows occur in accordance with the operating principles of your refrigerator. It is normal and not a fault.

Whistle comes from the refrigerator.

- Fans are used in order to cool the refrigerator. It is normal and not a fault.

Condensation on the inner walls of refrigerator.

- Hot and humid weather increases icing and condensation. It is normal and not a fault.
- Doors are opened frequently or left ajar for a long time. >>>Do not open the doors frequently. Close them if they are open.
- Door is ajar. >>>Close the door completely.

Humidity occurs on the outside of the refrigerator or between the doors.

- There might be humidity in the air; this is quite normal in humid weather. When the humidity is less, condensation will disappear.

Bad odour inside the refrigerator.

- No regular cleaning is performed. >>>Clean the inside of the refrigerator regularly with a sponge, lukewarm water or carbonate dissolved in water.
- Some containers or package materials may cause the smell. >>>Use a different container or different brand packaging material.
- Food is put into the refrigerator in uncovered containers. >>>Keep the food in closed containers. Microorganisms spreading out from uncovered containers can cause unpleasant odours.
- Remove the foods that have expired best before dates and spoiled from the refrigerator.

The door is not closing.

- Food packages are preventing the door from closing. >>>Replace the packages that are obstructing the door.
- The refrigerator is not completely even on the floor. >>>Adjust the feet to balance the refrigerator.
- The floor is not level or strong. >>>Make sure that the floor is level and capable to carry the refrigerator.

Crispers are stuck.

- The food is touching the ceiling of the drawer. >>>Rearrange food in the drawer.

Bitte lesen Sie zuerst diese Anleitung!

Lieber Kunde,

Wir sind sicher, dass Ihnen dieses Produkt, das in modernsten Fertigungsstätten hergestellt und den strengsten Qualitätsprüfungen unterzogen wurde, lange Zeit gute Dienste leisten wird.




Wir empfehlen Ihnen, vor Inbetriebnahme des Gerätes das gesamte Handbuch durchzulesen und es anschließend aufzubewahren.





Diese Anleitung...

- hilft Ihnen, Ihr Gerät schnell und sicher zu bedienen.
- Lesen Sie die Anleitung, bevor Sie Ihr Gerät aufstellen und bedienen.
- Halten Sie sich an die Anweisungen, beachten Sie insbesondere die Sicherheitshinweise.
- Bewahren Sie die Anleitung an einem leicht zugänglichen Ort auf, damit Sie jederzeit darin nachschlagen können.
- Lesen Sie auch die weiteren Dokumente, die mit Ihrem Produkt geliefert wurden.
- Bitte beachten Sie, dass diese Anleitung eventuell auch für andere Geräte eingesetzt werden kann.

Symbole und ihre Bedeutung

In dieser Anleitung finden Sie die folgenden Symbole:

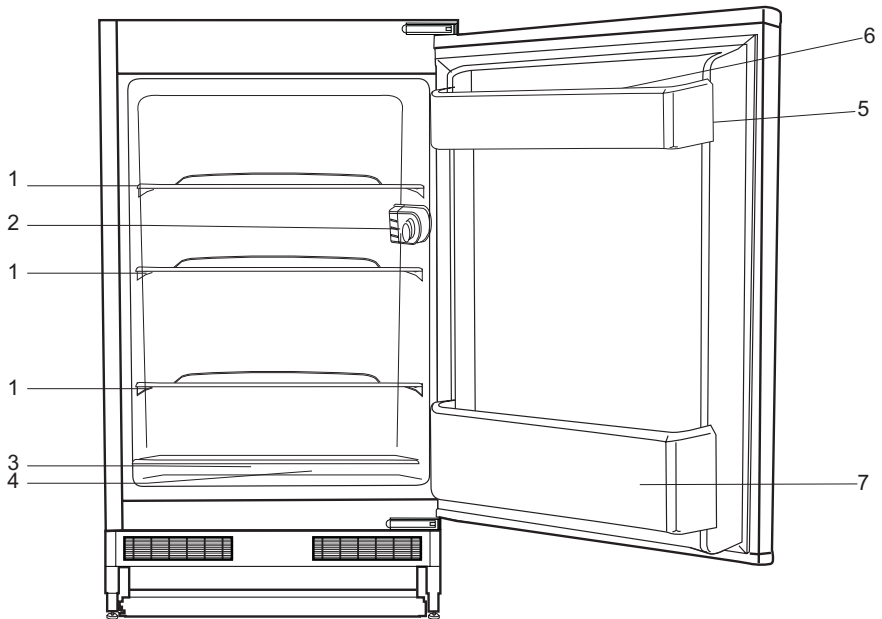
-  Wichtige Informationen oder nützliche Tipps.
-  Warnung vor Verletzungen oder Sachschäden.
-  Warnung vor elektrischem Strom.

 ANGABEN	
 	Die Modellinformationen, wie sie in der Produktdatenbank gespeichert sind, können durch Eingabe der folgenden Website und Suche nach Ihrer Modellkennung (*) auf dem Energieetikett erreicht werden. https://eprel.ec.europa.eu/
SUPPLIER'S NAME 	

INHALT

1 Ihr Kühlschrank	3	4 Vorbereitung	15
2 Wichtige Hinweise zu Ihrer Sicherheit	4	5 Nutzung des Kühlschranks 16	
Bestimmungsgemäßer Gebrauch	4	Einstellen der Betriebstemperatur	16
Bei Geräten mit Wasserspender:	7	Die Betriebstemperatur wird über die Temperatursteuerung reguliert.	16
Kinder – Sicherheit	7	Temperaturkontrolle und -einstellung	16
HCA-Warnung.....	7	Abtauen.....	17
Erfüllung von WEEE-Vorgaben zur Entsorgung von Altgeräten:	7	Gerät stoppen	17
Einhaltung von RoHS-Vorgaben:	8	6 Wartung und Reinigung	18
Hinweise zur Verpackung	8	Schutz der Kunststoffflächen	18
Tipps zum Energiesparen	8	7 Problemlösung	19
3 Installation	9		
Was Sie bei einem weiteren Transport Ihres Kühlschrank / Gefrierschranks beachten müssen.....	9		
Bevor Sie Ihren Kühlschrank / Gefrierschrank einschalten.....	9		
Elektrischer Anschluss	10		
Verpackungsmaterialien entsorgen ..	10		
Altgeräte entsorgen	10		
Aufstellung und Installation	10		
Kühlschrank unter einer Arbeitsplatte installieren, Füße einstellen.....	12		
Beleuchtung auswechseln	13		
Türanschlag umkehren.....	14		

1 Ihr Kühlschrank



1. Hauptablagen
2. Beleuchtung und Thermostat
3. Fleisch, Wurst, Aufschnitt, Dosen
4. Früchte, Gemüse, Salat
5. Tuben, kleine Flaschen und Dosen
6. Eierhalter
7. Getränke, große Flaschen

i Die Abbildungen in dieser Anleitung dienen lediglich der Veranschaulichung und müssen nicht absolut exakt mit Ihrem Produkt übereinstimmen. Falls bestimmte Teile nicht bei Ihrem Produkt zu finden sind, bezieht sich die entsprechende Abbildung auf ein anderes Modell.

2 Wichtige Hinweise zu Ihrer Sicherheit

Bitte lesen Sie die folgenden Hinweise aufmerksam durch. Bei Nichtbeachtung kann es zu Verletzungen und Sachschäden kommen. In diesem Fall erlöschen auch sämtliche Garantie- und sonstigen Ansprüche.

Die reguläre Einsatzzeit des von Ihnen erworbenen Gerätes beträgt 10 Jahre. In diesem Zeitraum halten wir Ersatzteile für das Gerät bereit, damit es stets wie gewohnt arbeiten kann.

Bestimmungsgemäßer Gebrauch

Dieses Produkt ist für folgende Einsatzzwecke vorgesehen:

- Nutzung in Innenräumen; beispielsweise im Privathaushalt
- Einsatz in Geschäftsräumen; beispielsweise in Geschäften und Büros
- Verwendung auf Bauernhöfen oder in Beherbergungsbetrieben; beispielsweise in Hotels und Pensionen
- Das Gerät sollte nicht im Freien benutzt werden.

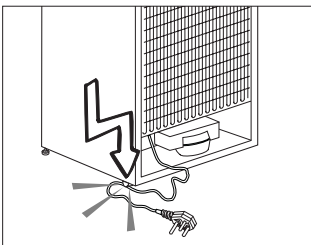
Allgemeine Hinweise zu Ihrer Sicherheit

- Wenn Sie das Gerät entsorgen möchten, wenden Sie sich am besten an den autorisierten Kundendienst. Hier erhalten Sie notwendige Informationen und erfahren, welche Stellen für die Entsorgung zuständig sind.

- Bei Problemen und Fragen zum Gerät wenden Sie sich grundsätzlich an den autorisierten Kundendienst. Ziehen Sie keine Dritten zu Rate, versuchen Sie nichts in Eigenregie, ohne den autorisierten Kundendienst davon in Kenntnis zu setzen.
- Bei Geräten mit Tiefkühlbereich: Der Verzehr von Speiseeis und Eiswürfeln unmittelbar nach der Entnahme aus dem Tiefkühlbereich ist nicht ratsam. (Dies kann zu Erfrierungen führen.)
- Bei Geräten mit Tiefkühlbereich: Bewahren Sie Getränke in Flaschen sowie Dosen niemals in Tiefkühlbereich auf. Diese platzen.
- Berühren Sie gefrorene Lebensmittel nicht mit der Hand; sie können festfrieren.
- Ziehen Sie den Netzstecker, bevor Sie den Kühlschrank / Gefrierschrank reinigen oder abtauen.
- Verwenden Sie niemals Dampf- oder Sprühreiniger zum Reinigen oder Abtauen Ihres Kühlschranks / Gefrierschranks. Die Dämpfe oder Nebel können in Kontakt mit stromführenden Teilen geraten und Kurzschlüsse oder Stromschläge auslösen.
- Missbrauchen Sie niemals Teile Ihres Kühlschranks / Gefrierschranks (z. B. Tür) als Befestigungen oder Kletterhilfen.
- Nutzen Sie keine elektrischen Geräte innerhalb des Kühlschranks / Gefrierschranks.

- Achten Sie darauf, den Kühlkreislauf keinesfalls mit Bohr- oder Schneidwerkzeugen zu beschädigen. Das Kühlmittel kann herausspritzen, wenn die Gaskanäle des Verdunsters, Rohr- und Schlauchleitungen oder Oberflächenversiegelungen beschädigt werden. Dies kann zu Hautreizungen und Augenverletzungen führen.
- Decken Sie keinerlei Belüftungsöffnungen des Kühlschranks / Gefrierschranks ab.
- Elektrogeräte dürfen nur von autorisierten Fachkräften repariert werden. Reparaturen durch weniger kompetente Personen können erhebliche Gefährdungen des Anwenders verursachen.
- Sollten Fehler oder Probleme während der Wartung oder Reparaturarbeiten auftreten, so trennen Sie den Kühlschrank / Gefrierschrank von der Stromversorgung, indem Sie die entsprechende Sicherung abschalten oder den Netzstecker ziehen.
- Ziehen Sie niemals am Netzkabel – fassen Sie stets den Stecker selbst.
- Lagern Sie hochprozentige alkoholische Getränke gut verschlossen und aufrecht.
- Lagern Sie niemals Behälter mit brennbaren Gasen (z. B. Spraydosen) oder explosive Dinge im Kühlschrank / Gefrierschrank.
- Nutzen Sie keine mechanischen oder andere Hilfsmittel, um das Gerät abzutauen – es sei denn, solche Hilfsmittel werden ausdrücklich vom Hersteller empfohlen.
- Dieses Gerät darf nicht von Personen (einschließlich Kindern) benutzt werden, die unter körperlichen oder geistigen Einschränkungen leiden oder denen es an der nötigen Erfahrung im Umgang mit solchen Geräten mangelt. Eine Ausnahme kann gemacht werden, wenn solche Personen ständig beaufsichtigt werden und/oder gründlich in der Verwendung des Gerätes unterwiesen wurden.
- Nehmen Sie einen beschädigten Kühlschrank / Gefrierschrank nicht in Betrieb. Wenden Sie sich im Zweifelsfall unbedingt zuerst an den Kundendienst.
- Die elektrische Sicherheit des Gerätes ist nur dann gewährleistet, wenn das hausinterne Erdungssystem den zutreffenden Normen entspricht.
- Setzen Sie das Gerät keinem Regen, Schnee, direktem Sonnenlicht oder Wind aus, da dies die elektrische Sicherheit gefährden kann.
- Damit es nicht zu Gefährdungen kommt, lassen Sie beschädigte Netzkabel unverzüglich vom Kundendienst austauschen.
- Stecken Sie während der Installation niemals den Netzstecker ein. Andernfalls kann es zu schweren bis tödlichen Verletzungen kommen.
- Der Kühlschrank / Gefrierschrank darf nur zum Lagern von Lebensmitteln, keinesfalls für andere Zwecke verwendet werden.
- Das Typenschild mit technischen Daten befindet sich an der linken Innenwand des Kühlschranks / Gefrierschranks.

- Schließen Sie den Kühlschrank / Gefrierschrank niemals an Energiesparsysteme an; andernfalls kann es zu Beschädigungen kommen.
- Bei Geräten mit blauer Innenbeleuchtung: Schauen Sie niemals mit optischen Hilfsmitteln in das blaue Licht.
- Bei manuell gesteuerten Kühlschränken warten Sie nach Stromausfällen mindestens 5 Minuten ab, bevor Sie das Gerät neu starten.
- Falls Sie das Gerät an einen anderen Besitzer weitergeben, vergessen Sie nicht, die Bedienungsanleitung ebenfalls weiterzugeben.
- Achten Sie beim Transportieren des Kühlschranks / Gefrierschranks darauf, dass das Netzkabel nicht beschädigt wird. Geknickte Kabel können sich entzünden. Stellen Sie niemals schwere Gegenstände auf dem Netzkabel ab. Berühren Sie den Netzstecker niemals mit feuchten oder gar nassen Händen.
- Nutzen Sie niemals leicht entzündliche Substanzen (z. B. Propangas) in der Nähe des Kühlschranks / Gefrierschranks; es besteht Brand- und Explosionsgefahr.
- Stellen Sie niemals mit Wasser oder anderen Flüssigkeiten gefüllte Gefäße auf dem Kühlschrank / Gefrierschrank ab; es besteht Brand- und Stromschlaggefahr.
- Überladen Sie den Kühlschrank / Gefrierschrank nicht mit übermäßig vielen Lebensmitteln. Bei Überladung können Lebensmittel beim Öffnen der Tür herausfallen, Sachschäden und Verletzungen verursachen. Stellen Sie niemals Gegenstände auf dem Kühlschrank / Gefrierschrank ab; solche Gegenstände können beim Öffnen und Schließen der Kühlschrank / Gefrierschranktür herabfallen.
- Materialien, die bei exakt festgelegten Temperaturen gelagert werden müssen (beispielsweise Impfstoffe, wärmeempfindliche Arznei, wissenschaftliche Proben, usw.) sollten nicht im Kühlschrank / Gefrierschrank gelagert werden.
- Ziehen Sie den Netzstecker, wenn Sie den Kühlschrank / Gefrierschrank längere Zeit nicht nutzen. Andernfalls können Brände durch defekte Netzkabel nicht gänzlich ausgeschlossen werden.
- Die Kontakte des Netzsteckers sollten regelmäßig gereinigt werden; andernfalls besteht Brandgefahr.
- Die Steckerkontakte sollten regelmäßig gereinigt werden; andernfalls besteht Brandgefahr.



- Stecken Sie den Netzstecker niemals in lose Steckdosen ein.
- Sprühen Sie aus Sicherheitsgründen niemals direkt Wasser auf die Innen- und Außenflächen des Gerätes.
- Die Kontakte des Netzsteckers sollten regelmäßig gereinigt werden; andernfalls besteht Brandgefahr.
- Die Steckerkontakte sollten regelmäßig gereinigt werden; andernfalls besteht Brandgefahr.

- Der Kühlschrank / Gefrierschrank kann sich bewegen, falls die Füße nicht richtig auf dem Boden aufliegen. Stellen Sie die verstellbaren Füße so ein, dass der Kühlschrank / Gefrierschrank absolut stabil steht und sich somit nicht bewegen kann.
- Tragen Sie den Kühlschrank / Gefrierschrank nicht am Türgriff; der Griff kann abbrechen.
- Wenn Sie das Gerät neben einem anderen Kühlgerät aufstellen, achten Sie darauf, dass zwischen den Geräten mindestens 8 cm Platz verbleiben. Andernfalls kann sich Feuchtigkeit an den Seitenwänden niederschlagen.

Bei Geräten mit Wasserspender:

Der Wasserdruck sollte zwischen 1 und 8 bar liegen.

- Nur Trinkwasser verwenden.

Kinder – Sicherheit

- Bei abschließbaren Türen bewahren Sie den Schlüssel außerhalb der Reichweite von Kindern auf.
- Kinder müssen stets beaufsichtigt werden, damit sie nicht mit dem Gerät spielen.

HCA-Warnung


Falls Ihr Gerät mit dem Kühlmittel R600a arbeitet:

Dieses Gas ist leicht entflammbar. Achten Sie also darauf, Kühlkreislauf und Leitungen während Betrieb und Transport nicht zu beschädigen. Bei Beschädigungen halten Sie das Produkt von potenziellen Zündquellen (z. B. offenen Flammen) fern und sorgen für eine gute Belüftung des Raumes, in dem das Gerät aufgestellt wurde.

Erfüllung von WEEE-Vorgaben zur Entsorgung von Altgeräten:



Dieses Produkt erfüllt die Vorgaben der EU-WEEE-Direktive (2012/19/EU). Das Produkt wurde mit eine

 Klassifizierungssymbol für elektrische und elektronische Altgeräte (WEEE) gekennzeichnet.

Dieses Gerät wurde aus hochwertigen Materialien hergestellt, die wiederverwendet und recycelt werden können. Entsorgen Sie das Gerät am Ende seiner Einsatzzeit nicht mit dem regulären Hausmüll; geben Sie es stattdessen bei einer Sammelstelle zur Wiederverwertung von elektrischen und elektronischen Altgeräten ab. Ihre Stadtverwaltung informiert Sie gerne über geeignete Sammelstellen in Ihrer Nähe.

Einhaltung von RoHS-Vorgaben:

Das von Ihnen erworbene Produkt erfüllt die Vorgaben der EU-RoHS Direktive (2011/65/EU). Es enthält keine in der Direktive angegebenen gefährlichen und unzulässigen Materialien.

Hinweise zur Verpackung

Die Verpackungsmaterialien des Gerätes wurden gemäß nationalen Umweltschutzbestimmungen aus recyclingfähigen Materialien hergestellt. Entsorgen Sie Verpackungsmaterialien nicht mit dem regulären Hausmüll oder anderen Abfällen. Bringen Sie Verpackungsmaterialien zu geeigneten Sammelstellen; Ihre Stadtverwaltung berät Sie gern.

Diese Warnung können Sie ignorieren, wenn Ihr Gerät mit dem Kühlmittel R134a arbeitet.

Das verwendete Kühlmittel wird auf dem Typenschild an der linken Innenseite des Kühlschranks / Gefrierschranks angegeben.

Entsorgen Sie das Gerät niemals durch Verbrennen.

Tipps zum Energiesparen

- Halten Sie die Kühlschrank / Gefrierschrantüren nur möglichst kurz geöffnet.
- Lagern Sie keine warmen Speisen oder Getränke im Kühlschrank / Gefrierschrank ein.
- Überladen Sie den Kühlschrank / Gefrierschrank nicht; die Luft muss frei zirkulieren können.

- Stellen Sie den Kühlschrank / Gefrierschrank nicht im direkten Sonnenlicht oder in der Nähe von Wärmequellen wie Öfen, Spülmaschinen oder Heizkörpern auf.
- Achten Sie darauf, Ihre Lebensmittel in verschlossenen Behältern aufzubewahren.
- Bei Geräten mit Tiefkühlbereich: Sie können noch mehr Lebensmittel einlagern, wenn Sie die Ablagen oder Schubladen aus dem Tiefkühlbereich herausnehmen. Die Energieverbrauchswerte Ihres Kühlschranks / Gefrierschranks wurden bei maximaler Beladung mit herausgenommenen Ablagen oder Schubladen ermittelt. Ansonsten ist es Ihnen natürlich freigestellt, die Ablagen oder Schubladen zu verwenden.
- Wenn Sie gefrorene Lebensmittel im Kühlbereich auftauen, sparen Sie Energie und bewahren die Qualität der Lebensmittel.

3 Installation

⚠ Bitte beachten Sie, dass der Hersteller nicht haftet, wenn Sie sich nicht an die Informationen und Anweisungen der Bedienungsanleitung halten.

Was Sie bei einem weiteren Transport Ihres Kühlschranks / Gefrierschranks beachten müssen

1. Der Kühlschrank / Gefrierschrank muss vor dem Transport geleert und gesäubert werden.
2. Befestigen und sichern Sie Ablagen, Zubehör, Gemüsefach etc. mit Klebeband, bevor Sie das Gerät neu verpacken.
3. Die Verpackung muss mit kräftigem Klebeband und stabilen Seilen gesichert, die auf der Verpackung aufgedruckten Transporthinweise müssen beachtet werden.

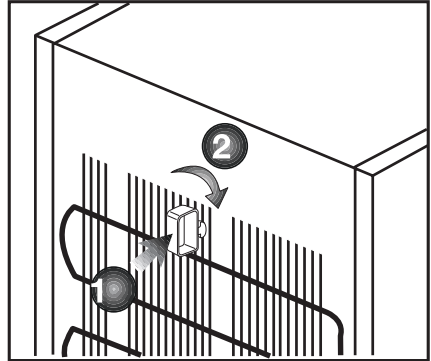
Vergessen Sie nicht...

Jeder wiederverwendete Artikel stellt eine unverzichtbare Hilfe für unsere Natur und unsere Ressourcen dar.

Wenn Sie zur Wiederverwertung von Verpackungsmaterialien beitragen möchten, können Sie sich bei Umweltschutzvereinigungen und Ihren Behörden vor Ort informieren.

Bevor Sie Ihren Kühlschrank / Gefrierschrank einschalten

1. Bevor Sie Ihren Kühlschrank / Gefrierschrank in Betrieb nehmen, beachten Sie bitte Folgendes:
2. Ist der Innenraum des Kühlschranks / Gefrierschranks trocken, kann die Luft frei an der Rückseite zirkulieren?



3. Bitte bringen Sie die beiden Kunststoffkeile wie in der Abbildung gezeigt an. Die Kunststoffkeile sorgen für den richtigen Abstand zwischen Kühlschrank / Gefrierschrank und Wand – und damit für die richtige Luftzirkulation. (Die Abbildung dient lediglich zur Orientierung und muss nicht exakt mit Ihrem Gerät übereinstimmen.)
4. Reinigen Sie das Innere des Kühlschranks / Gefrierschranks wie im Abschnitt „Wartung und Reinigung“ beschrieben.
5. Stecken Sie den Netzstecker des Kühlschranks / Gefrierschranks in eine Steckdose. Wenn die Kühlbereichtür geöffnet wird, schaltet sich das Licht im Inneren ein.
6. Sie hören ein Geräusch, wenn sich der Kompressor einschaltet. Die Flüssigkeiten und Gase im Kühlsystem können auch leichte Geräusche erzeugen, wenn der Kompressor nicht läuft. Dies ist völlig normal.

7. Die Vorderkanten des Kühlgerätes können sich warm anfühlen. Dies ist normal. Diese Bereiche wärmen sich etwas auf, damit sich kein Kondenswasser bildet.

Elektrischer Anschluss

Schließen Sie das Gerät an eine geerdete (Schuko-) Steckdose an. Diese Steckdose muss mit einer passenden Sicherung abgesichert werden.

Wichtig:

- Der Anschluss muss gemäß lokaler Vorschriften erfolgen.
 - Der Netzstecker muss nach der Installation frei zugänglich bleiben.
 - Die angegebene Spannung muss mit Ihrer Netzspannung übereinstimmen.
 - Zum Anschluss dürfen keine Verlängerungskabel oder Mehrfachsteckdosen verwendet werden.
- ⚠ Ein beschädigtes Netzkabel muss unverzüglich durch einen qualifizierten Elektriker ausgetauscht werden.
- ⚠ Das Gerät darf vor Abschluss der Reparaturen nicht mehr betrieben werden! Es besteht Stromschlaggefahr!

Verpackungsmaterialien entsorgen

Das Verpackungsmaterial kann eine Gefahr für Kinder darstellen. Halten Sie Verpackungsmaterialien von Kindern fern oder entsorgen Sie das Verpackungsmaterial gemäß den gültigen Entsorgungsbestimmungen.

Entsorgen Sie Verpackungsmaterialien nicht mit dem regulären Hausmüll.

Die Verpackung Ihres Gerätes wurde aus recyclingfähigen Materialien hergestellt.

Altgeräte entsorgen

Entsorgen Sie Altgeräte auf umweltfreundliche Weise.

- Bei Fragen zur richtigen Entsorgung wenden Sie sich bitte an Ihren Händler, an eine Sammelstelle oder an Ihre Stadtverwaltung.

Bevor Sie das Gerät entsorgen, schneiden Sie den Netzstecker ab und machen die Türverschlüsse (sofern vorhanden) unbrauchbar, damit Kinder nicht in Gefahr gebracht werden.

Aufstellung und Installation

⚠ Falls die Tür des Raumes, in dem der Kühlschrank / Gefrierschrank aufgestellt werden soll, nicht breit genug ist, wenden Sie sich an den autorisierten Kundendienst, lassen die Kühlschrank / Gefrierschranktüren demontieren und befördern das Gerät seitlich durch die Tür.

1. Stellen Sie Ihren Kühlschrank / Gefrierschrank an einer gut erreichbaren Stelle auf.
2. Platzieren Sie den Kühlschrank / Gefrierschrank nicht in der Nähe von Wärmequellen oder dort, wo er Feuchtigkeit oder direktem Sonnenlicht ausgesetzt ist.

- 3.** Damit das Gerät richtig arbeiten kann, müssen Sie ausreichend Platz um das Gerät herum freilassen, damit eine ordentliche Belüftung gewährleistet ist. Wenn Sie den Kühlschrank / Gefrierschrank in einer Nische aufstellen, müssen Sie einen Abstand von mindestens 5 cm zur Decke und 5 cm zu den Wänden einhalten. Wenn Sie das Gerät auf einem Teppich oder Teppichboden aufstellen, müssen Sie einen Abstand von mindestens 2,5 cm zum Boden einhalten.
- 4.** Stellen Sie Ihren Kühlschrank / Gefrierschrank auf einem ebenen Untergrund auf, damit er nicht wackelt.

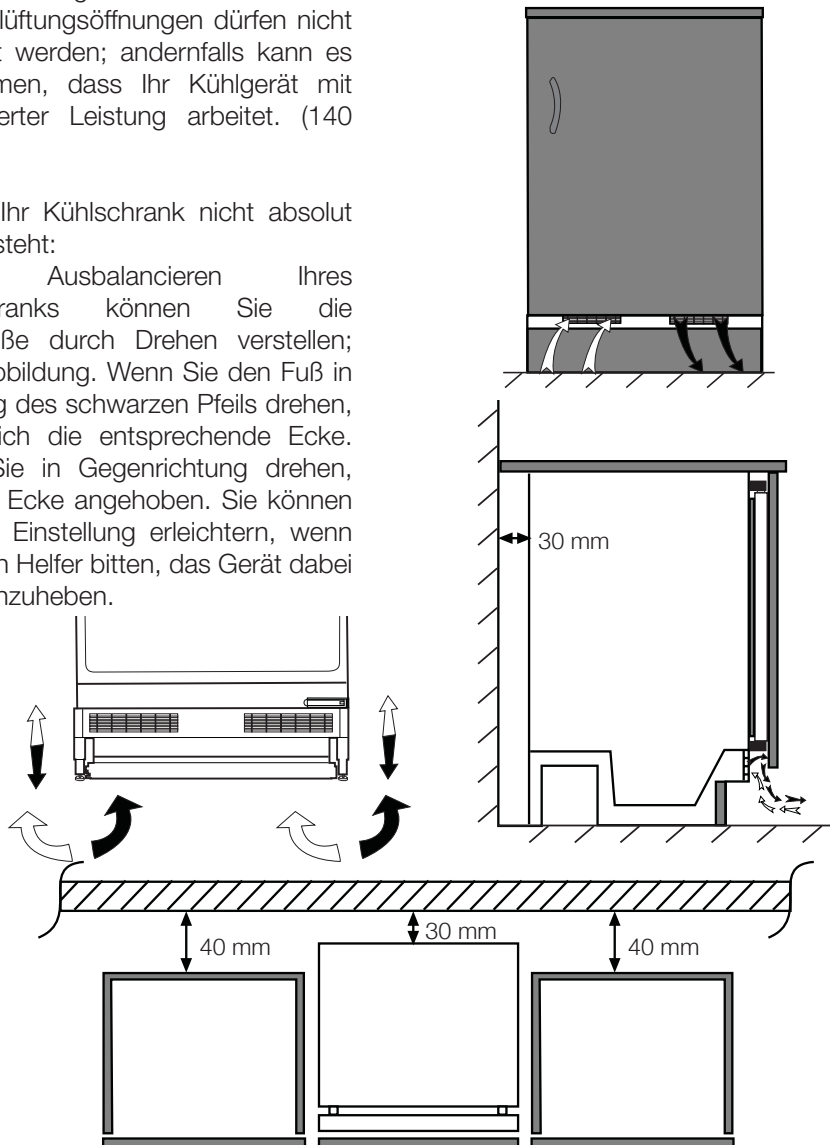
Kühlschrank unter einer Arbeitsplatte installieren, Füße einstellen

Achten Sie bei der Aufstellung Ihres Kühlschranks auf einen Mindestabstand von 10 cm zwischen Gerät und Wand; siehe Abbildung.

Die Belüftungsöffnungen dürfen nicht blockiert werden; andernfalls kann es vorkommen, dass Ihr Kühlgerät mit verminderter Leistung arbeitet. (140 cm²)

Wenn Ihr Kühlschrank nicht absolut gerade steht:

Zum Ausbalancieren Ihres Kühlschranks können Sie die Vorderfüße durch Drehen verstellen; siehe Abbildung. Wenn Sie den Fuß in Richtung des schwarzen Pfeils drehen, senkt sich die entsprechende Ecke. Wenn Sie in Gegenrichtung drehen, wird die Ecke angehoben. Sie können sich die Einstellung erleichtern, wenn Sie einen Helfer bitten, das Gerät dabei etwas anzuheben.



Beleuchtung auswechseln

Die Innenbeleuchtung Ihres Kühlschranks sollte ausschließlich vom autorisierten Kundendienst ausgetauscht werden.

Die Glühbirnen für dieses Haushaltsgerät sind für Beleuchtungszwecke nicht geeignet. Die beabsichtigte Aufgabe dieser Lampe ist es den Benutzer zu ermöglichen die Plazierung der Lebensmittel in den Kühlschrank / Eiskühltruhe sicher und bequem vorzunehmen.

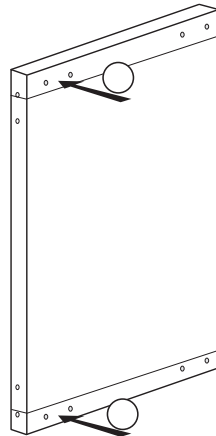
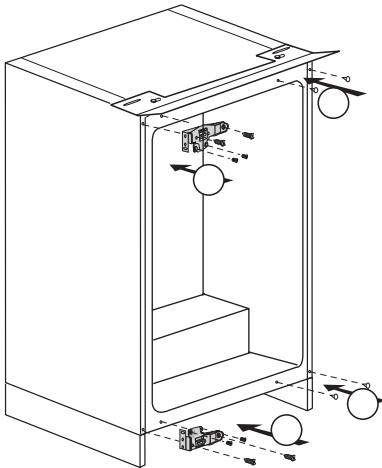
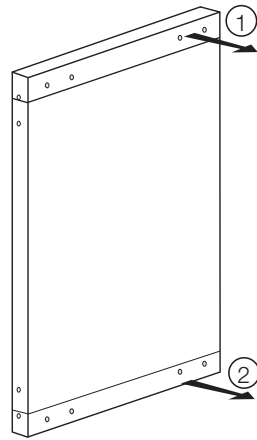
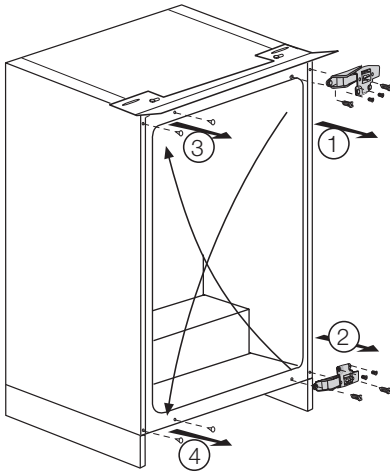
Die in diesem Gerät verwendeten Lampen müssen extremen physikalischen Bedingungen, wie z. B. Temperaturen von -20 °C, standhalten.

i Dieses Produkt ist mit einer Lichtquelle der Energieklasse „G“ ausgestattet.

Die Lichtquelle in diesem Produkt darf nur von professionellen Reparaturtechnikern ersetzt werden.

Türanschlag umkehren

Gehen Sie der Reihe nach vor.

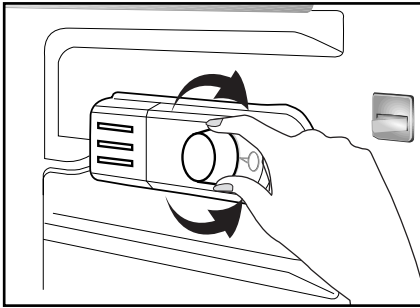


4 Vorbereitung

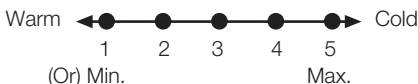
- Ihr Kühlschrank / Gefrierschrank sollte mindestens 30 cm von Hitzequellen wie Kochstellen, Öfen, Heizungen, Herden und ähnlichen Einrichtungen aufgestellt werden. Halten Sie mindestens 5 cm Abstand zu Elektroöfen ein, vermeiden Sie die Aufstellung im direkten Sonnenlicht.
- Die Zimmertemperatur des Raumes, in dem der Kühlschrank / Gefrierschrank aufgestellt wird, sollte mindestens 10 °C betragen. Im Hinblick auf den Wirkungsgrad ist der Betrieb des Kühlschrank / Gefrierschranks bei geringerer Umgebungstemperatur nicht ratsam.
- Sorgen Sie dafür, dass das Innere Ihres Kühlschrank / Gefrierschranks gründlich gereinigt wird.
- Falls zwei Kühlschränke nebeneinander platziert werden sollen, achten Sie darauf, dass sie mindestens 2 cm voneinander entfernt aufgestellt werden.
- Wenn Sie den Kühlschrank / Gefrierschrank zum ersten Mal in Betrieb nehmen, halten Sie sich bitte an die folgenden Anweisungen für die ersten sechs Betriebsstunden.
- Die Kühlschrank / Gefrierschrantür sollte nicht zu häufig geöffnet werden.
- Der Kühlschrank / Gefrierschrank muss zunächst vollständig leer arbeiten.
- Ziehen Sie nicht den Netzstecker. Falls der Strom ausfallen sollte, beachten Sie die Warnhinweise im Abschnitt „Empfehlungen zur Problemlösung“.
- Originalverpackung und Schaumstoffmaterialien sollten zum zukünftigen Transport des Gerätes aufbewahrt werden.

5 Nutzung des Kühlschranks

Einstellen der Betriebstemperatur



Die Betriebstemperatur wird über die Temperatursteuerung reguliert.



1 = Schwächste Kühlung (wärmste Einstellung)

5 = Stärkste Kühlung (kälteste Einstellung)

(Oder)

Min. = Schwächste Kühlung

(wärmste Einstellung)

Max. = Stärkste Kühlung

(kälteste Einstellung)

Die Durchschnittstemperatur im Inneren des Kühlschranks sollte bei etwa +5 °C liegen.

Bitte wählen Sie die der gewünschten Temperatur entsprechende Einstellung.

Bitte beachten Sie, dass im Kühlbereich unterschiedliche Temperaturen herrschen.

Der kälteste Bereich befindet sich unmittelbar über dem Gemüsefach.

Die Innentemperatur hängt auch von der Umgebungstemperatur ab, außerdem davon, wie oft die Tür geöffnet wird und wie viel Lebensmittel im Inneren gelagert werden.

Beim häufigen Öffnen der Tür steigt die Innentemperatur an.

Aus diesem Grund empfehlen wir, die Tür möglichst schnell wieder zu schließen.

Temperaturkontrolle und -einstellung

Die Betriebstemperaturen werden mit dem Thermostatknopf (siehe Abbildung) vorgegeben. Hier können Sie eine beliebige Einstellung von 1 bis 5 wählen, wobei 5 die kälteste Position ist. Wenn Sie das Gerät zum ersten Mal einschalten, sollten Sie den Thermostat so einstellen, dass die durchschnittliche Temperatur im Inneren des Kühlgerätes nach 24 Stunden nicht mehr als 5 °C beträgt.

Wir empfehlen, den Thermostat etwa auf die Mitte zwischen den Positionen 1 und 5 einzustellen, die Temperatur zu überprüfen und die Einstellung anzupassen, bis die gewünschte Innentemperatur erreicht ist. Zur Position 5 hin erreichen Sie eine stärkere Kühlleistung. Einige Bereiche Ihres Kühlgerätes kühlen sich geringfügig stärker oder schwächer ab (wie das Gemüsefach und der oberste Bereich des Innenraums). Dies ist völlig normal.

5

Bei Umgebungstemperaturen von mehr als 25 °C (die im Sommer leicht erreicht werden), drehen Sie den Thermostatkopf zur Position 5 hin. Bei Umgebungstemperaturen unterhalb 25 °C stellen Sie den Thermostatkopf auf eine mittlere Position ein.

-

4

-

3

-

2

-

1

-

0

Häufiges Öffnen der Tür führt zu einem Anstieg der Innentemperatur. Daher sollten Sie die Tür immer so schnell wie möglich wieder schließen.

Falls sich Eis im Kühlfach bilden sollte, reduzieren Sie die Temperatureinstellung auf

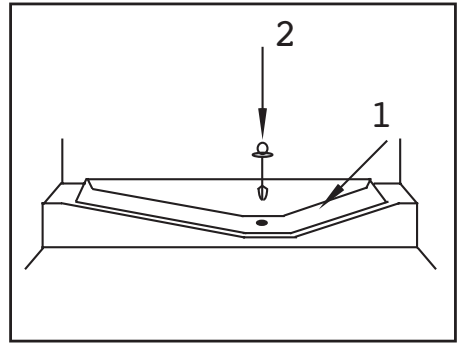
1; dabei vergewissern Sie sich, dass die Kühlfachtemperatur nicht über 5 °C ansteigt. Sobald das Eis verschwunden ist, können Sie die Einstellung bei Bedarf wieder erhöhen.

Abtauen

Ihr Kühlgerät taut automatisch ab. Das Tauwasser läuft über einen Sammelkanal in den Tauwasserablauf und verdunstet in einem speziellen Behälter (1) an der Rückseite des Gerätes (siehe Abbildung).

Beim Abtauen können sich Wassertropfen an der Rückseite des Kühlgerätes bilden; dort befindet sich ein verdeckter Verdunster. Einige Tropfen können zurückbleiben und nach dem Abtauen wieder gefrieren. Entfernen Sie solche angefrorenen Tropfen nicht mit spitzen oder scharfkantigen Gegenständen (wie Messern oder Gabeln).

Sollte das Tauwasser einmal nicht aus dem Sammelkanal ablaufen, prüfen Sie, ob der Tauwasserablauf durch Speisereste verstopft ist. Mit dem speziellen Kunststoffstößel können Sie den Tauwasserablauf (2) wieder durchgängig machen.



Gerät stoppen

Bei Thermostaten mit 0-Position:

- Ihr Gerät stoppt, wenn Sie den Thermostatkopf in die 0-Position drehen. Das Gerät läuft erst dann wieder an, wenn Sie den Thermostatkopf wieder auf 1 oder eine höhere Position einstellen.

Bei Thermostaten mit „min“-Position:

- Bitte ziehen Sie zum Abschalten den Netzstecker.

6 **Wartung und Reinigung**

- ⚠ Verwenden Sie zu Reinigungszwecken niemals Benzin oder ähnliche Substanzen.
- ⚠ Wir empfehlen, vor dem Reinigen den Netzstecker zu ziehen.
- ℹ Verwenden Sie zur Reinigung niemals scharfe Gegenstände, Seife, Haushaltsreiniger, Waschmittel oder Wachspolituren.
- ℹ Reinigen Sie das Gehäuse des Gerätes mit lauwarmem Wasser, wischen Sie die Flächen danach trocken.
- ⚠ Zur Reinigung des Innenraums verwenden Sie ein feuchtes Tuch, das Sie in eine Lösung aus 1 Teelöffel Natron und einem halben Liter Wasser getaucht und ausgewrungen haben. Nach dem Reinigen wischen Sie den Innenraum trocken.
- ⚠ Achten Sie darauf, dass kein Wasser in das Lampengehäuse oder andere elektrische Komponenten eindringt.
- ⚠ Wenn Ihr Kühlgerät längere Zeit nicht benutzt wird, ziehen Sie den Netzstecker, nehmen alle Lebensmittel heraus, reinigen das Gerät und lassen die Türe geöffnet.
- ℹ Kontrollieren Sie die Türdichtungen regelmäßig, um sicherzustellen, dass diese sauber und frei von Speiseresten sind.
- ℹ Zum Entfernen einer Türablage räumen Sie sämtliche Gegenständen aus der Ablage und schieben diese dann nach oben heraus.

- ℹ Verwenden Sie zur Reinigung der Außenflächen und Chrombeschichteten Produktteile niemals Reinigungsmittel oder Wasser, die/das Chlor enthält. Chlor lässt Metalloberflächen korrodieren.

Schutz der Kunststoffflächen

- ℹ Geben Sie keine Öle oder stark fetthaltige Speisen offen in Ihren Kühlschrank / Gefrierschrank – dadurch können die Kunststoffflächen angegriffen werden. Sollten die Plastikoberflächen einmal mit Öl in Berührung kommen, so reinigen Sie die entsprechend Stellen umgehend mit warmem Wasser.

7 Problemlösung

Bitte arbeiten Sie diese Liste durch, bevor Sie den Kundendienst anrufen. Das kann Ihnen Zeit und Geld sparen. In der Liste finden Sie häufiger auftretende Probleme, die nicht auf Verarbeitungs- oder Materialfehler zurückzuführen sind. Nicht alle hier beschriebenen Funktionen sind bei jedem Modell verfügbar.

Der Kühlschrank arbeitet nicht.

- Der Netzstecker ist nicht richtig eingesteckt. >>> Stecken Sie den Netzstecker fest in die Steckdose.
- Die entsprechende Haussicherung ist herausgesprungen oder durchgebrannt. >>> Überprüfen Sie die Sicherung.

Kondensation an den Seitenwänden des Kühlbereiches. (Multizone, Kühlkontrolle und FlexiZone)

- Die Umgebungsluft ist zu kalt. >>> Stellen Sie den Kühlschrank nicht an Orten mit Temperaturen unter 10 °C auf.
- Die Tür wurde häufig geöffnet. >>> Verzichten Sie auf häufiges Öffnen der Kühlschranktür.
- Die Luftfeuchtigkeit in der Umgebung ist zu hoch. >>> Stellen Sie Ihren Kühlschrank nicht an Orten mit hoher Luftfeuchtigkeit auf.
- Flüssigkeiten enthaltende Lebensmittel werden in offenen Behältern aufbewahrt. >>> Bewahren Sie Lebensmittel mit hohem Flüssigkeitsanteil nicht in offenen Behältern auf.
- Die Kühlschranktür steht offen. >>> Schließen Sie die Kühlschranktür.
- Das Thermostat ist auf einen sehr geringen Wert eingestellt. >>> Stellen Sie das Thermostat auf einen geeigneten Wert ein.

Der Kompressor läuft nicht

- ① Eine Schutzschaltung stoppt den Kompressor bei kurzzeitigen Unterbrechungen der Stromversorgung und wenn das Gerät zu oft und schnell ein- und ausgeschaltet wird, da der Druck des Kühlmittels eine Weile lang ausgeglichen werden muss. Der Kühlschrank beginnt nach etwa sechs Minuten wieder zu arbeiten. Bitte wenden Sie sich an den Kundendienst, falls Ihr Kühlschrank nach Ablauf dieser Zeit nicht wieder zu arbeiten beginnt.
- Der Kühlschrank taut ab. >>> Dies ist bei einem vollautomatisch abtauenden Kühlschrank völlig normal. Das Gerät taut von Zeit zu Zeit ab.
- Der Netzstecker ist nicht eingesteckt. >>> Überprüfen Sie, ob das Gerät angeschlossen ist.
- Die Temperatur ist nicht richtig eingestellt. >>> Wählen Sie einen geeigneten Temperaturwert.
- Der Strom ist ausgefallen. >>> Sobald die Stromversorgung wiederhergestellt ist, nimmt der Kühlschrank den Betrieb wieder auf.

Das Betriebsgeräusch nimmt zu, wenn der Kühlschrank arbeitet.

- ① Das Leistungsverhalten des Kühlgerätes kann sich je nach Umgebungstemperatur ändern. Dies ist völlig normal und keine Fehlfunktion.

Der Kühlschrank arbeitet sehr intensiv oder über eine sehr lange Zeit.

- ⓘ Ihr neues Gerät ist vielleicht etwas breiter als sein Vorgänger. Große Kühlgeräte arbeiten oft längere Zeit.
- Die Umgebungstemperatur ist eventuell sehr hoch. >>> Es ist normal, dass das Produkt in warmen Umgebungen länger arbeitet.
 - Der Kühlschrank wurde möglicherweise erst vor Kurzem in Betrieb genommen oder mit Lebensmitteln gefüllt. >>> Wenn der Kühlschrank erst vor Kurzem in Betrieb genommen oder mit Lebensmitteln gefüllt wurde, dauert es einige Zeit, bis er die eingestellte Temperatur erreicht. Dies ist normal.
 - Kurz zuvor wurden größere Mengen warmer Speisen im Kühlschrank eingelagert. >>> Geben Sie keine warmen Speisen in den Kühlschrank.
 - Türen wurden häufig geöffnet oder längere Zeit nicht richtig geschlossen. >>> Der Kühlschrank muss länger arbeiten, weil warme Luft in den Innenraum eingedrungen ist. Verzichten Sie auf häufiges Öffnen der Türen.
 - Die Türen des Kühl- oder Tiefkühlbereiches wurden nicht richtig geschlossen. >>> Vergewissern Sie sich, dass die Türen richtig geschlossen wurden.
 - Die Kühlschranktemperatur ist sehr niedrig eingestellt. >>> Stellen Sie die Kühlschranktemperatur höher ein und warten Sie, bis die gewünschte Temperatur erreicht ist.
 - Die Türdichtungen von Kühl- oder Gefrierbereich sind verschmutzt, verschlissen, beschädigt oder sitzen nicht richtig. >>> Reinigen oder ersetzen Sie die Dichtung. Beschädigte oder defekte Dichtungen führen dazu, dass der Kühlschrank länger arbeiten muss, um die Temperatur halten zu können.

Die Temperatur im Tiefkühlbereich ist sehr niedrig, während die Temperatur im Kühlbereich normal ist.

- Die Tiefkühltemperatur ist sehr niedrig eingestellt. >>> Stellen Sie die Tiefkühlbereichtemperatur wärmer ein und prüfen Sie.

Die Temperatur im Kühlbereich ist sehr niedrig, während die Temperatur im Tiefkühlbereich normal ist.

- Die Kühltemperatur ist sehr niedrig eingestellt. >>> Stellen Sie die Kühlbereichtemperatur wärmer ein und prüfen Sie.

Im Kühlbereich gelagerte Lebensmittel frieren ein.

- Die Kühltemperatur ist sehr hoch eingestellt. >>> Stellen Sie die Kühlbereichtemperatur niedriger ein und prüfen Sie.

Die Temperatur im Kühl- oder Tiefkühlbereich ist sehr hoch.

- Die Kühltemperatur ist sehr hoch eingestellt. >>> Die Kühlbereichtemperatur wirkt sich auf die Temperatur des Tiefkühlbereichs aus. Ändern Sie die Temperatur des Kühl- oder Tiefkühlbereichs und warten, bis die entsprechenden Fächer eine geeignete Temperatur erreicht haben.
- Türen wurden häufig geöffnet oder längere Zeit nicht richtig geschlossen. >>> Verzichten Sie auf häufiges Öffnen der Türen.
- Die Tür steht offen. >>> Schließen Sie die Tür komplett.
- Der Kühlschrank wurde möglicherweise erst vor Kurzem in Betrieb genommen oder mit Lebensmitteln gefüllt. >>> Dies ist normal. Wenn der Kühlschrank erst vor Kurzem in Betrieb genommen oder mit Lebensmitteln gefüllt wurde, dauert es einige Zeit, bis er die eingestellte Temperatur erreicht.
- Kurz zuvor wurden größere Mengen warmer Speisen im Kühlschrank eingelagert. >>> Geben Sie keine warmen Speisen in den Kühlschrank.

Vibrationen oder Betriebsgeräusche.

- Der Boden ist nicht eben oder nicht stabil genug. >>> Falls der Kühlschrank bei leichten Bewegungen wackelt, gleichen Sie ihn mit Hilfe seiner Füße aus. Achten Sie außerdem darauf, dass der Boden eben ist und das Gewicht des Kühlschranks problemlos tragen kann.
- Gegenstände, die auf dem Kühlschrank platziert wurden, können Geräusche verursachen. >>> Entfernen Sie die Gegenstände vom Kühlschrank.

Fließ- oder Spritzgeräusche sind zu hören.

- ① Aus technischen Gründen bewegen sich Flüssigkeiten und Gase innerhalb des Gerätes. Dies ist völlig normal und keine Fehlfunktion.

Der Kühlschrank pfeift.

- ① Zum gleichmäßigen Kühlen werden Ventilatoren eingesetzt. Dies ist völlig normal und keine Fehlfunktion.

Kondensation an den Kühlschrankinnenflächen.

- ① Bei heißen und feuchten Wetterlagen tritt verstärkt Eisbildung und Kondensation auf. Dies ist völlig normal und keine Fehlfunktion.
- Türen wurden häufig geöffnet oder längere Zeit nicht richtig geschlossen. >>> Verzichten Sie auf häufiges Öffnen der Türen. Schließen Sie die Türen, falls sie offen stehen.
- Die Tür steht offen. >>> Schließen Sie die Tür komplett.

Feuchtigkeit sammelt sich an der Außenseite des Kühlschranks oder an den Türen.

- ① Eventuell herrscht hohe Luftfeuchtigkeit; dies ist je nach Wetterlage völlig normal. Die Kondensation verschwindet, sobald die Feuchtigkeit abnimmt.

Unangenehmer Geruch im Kühlschrankinnenraum.

- Der Kühlschrank wurde nicht regelmäßig gereinigt. >>> Reinigen Sie das Innere des Kühlschranks regelmäßig mit einem Schwamm, den Sie mit lauwarmem Wasser oder einer Natriumhydrogencarbonat-Wasser-Lösung angefeuchtet haben.
 - Bestimmte Behälter oder Verpackungsmaterialien verursachen den Geruch. >>> Verwenden Sie andere Behälter oder Verpackungsmaterial einer anderen Marke.
 - Lebensmittel wurden in offenen Behältern in den Kühlschrank gegeben. >>> Lagern Sie Lebensmittel in geschlossenen Behältern. Mikroorganismen, die aus unverschlossenen Behältern entweichen, können üble Gerüche verursachen.
- i** Entfernen Sie Lebensmittel mit abgelaufenem Mindesthaltbarkeitsdatum sowie verdorbene Lebensmittel aus dem Kühlschrank.

Die Tür lässt sich nicht schließen.

- Lebensmittelpackungen verhindern, dass sich die Tür komplett schließen lässt. >>> Entfernen Sie die Verpackungen, welche die Tür blockieren.
- Der Kühlschrank steht nicht vollständig eben auf dem Boden. >>> Gleichen Sie den Kühlschrank mit Hilfe der Füße aus.
- Der Boden ist nicht eben oder nicht stabil genug. >>> Achten Sie darauf, dass der Boden eben ist und das Gewicht des Kühlschranks problemlos tragen kann.

Das Gemüsefach klemmt.

- Die Lebensmittel berühren eventuell den oberen Teil der Schublade. >>> Ordnen Sie die Lebensmittel in der Schublade anders an.

Bitte lesen Sie zuerst diese Anleitung!

Lieber Kunde,

Wir sind sicher, dass Ihnen dieses Produkt, das in modernsten Fertigungsstätten hergestellt und den strengsten Qualitätsprüfungen unterzogen wurde, lange Zeit gute Dienste leisten wird.




Wir empfehlen Ihnen, vor Inbetriebnahme des Gerätes das gesamte Handbuch durchzulesen und es anschließend aufzubewahren.






Diese Anleitung...

- hilft Ihnen, Ihr Gerät schnell und sicher zu bedienen.
- Lesen Sie die Anleitung, bevor Sie Ihr Gerät aufstellen und bedienen.
- Halten Sie sich an die Anweisungen, beachten Sie insbesondere die Sicherheitshinweise.
- Bewahren Sie die Anleitung an einem leicht zugänglichen Ort auf, damit Sie jederzeit darin nachschlagen können.
- Lesen Sie auch die weiteren Dokumente, die mit Ihrem Produkt geliefert wurden.
- Bitte beachten Sie, dass diese Anleitung eventuell auch für andere Geräte eingesetzt werden kann.

Symbole und ihre Bedeutung

In dieser Anleitung finden Sie die folgenden Symbole:

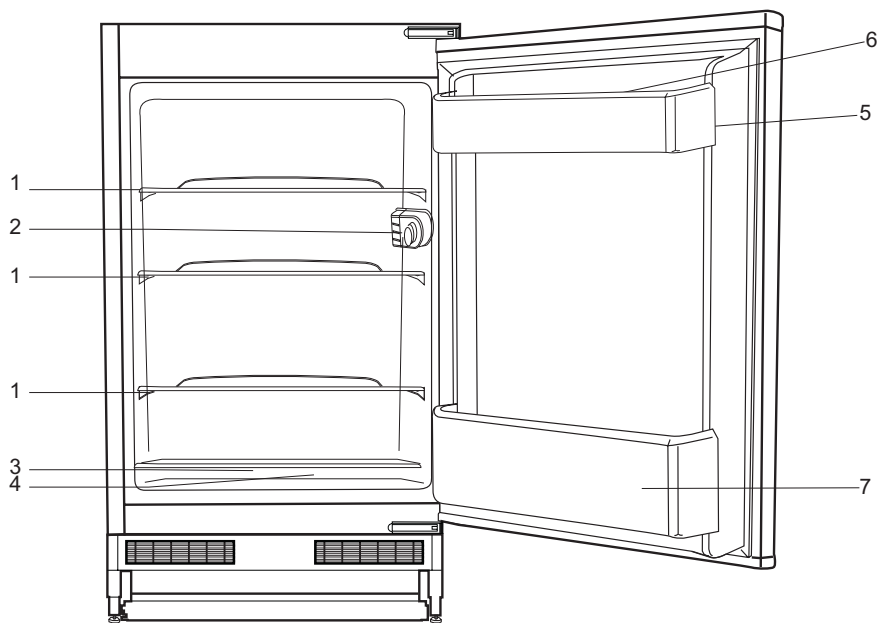
-  Wichtige Informationen oder nützliche Tipps.
-  Warnung vor Verletzungen oder Sachschäden.
-  Warnung vor elektrischem Strom.

 INFORMATIONS	
	
SUPPLIER'S NAME	MODEL IDENTIFIER (*)
 A	 A
Vous pouvez accéder aux informations relatives au modèle telles que sauvegardées dans la base de données des produits en entrant le site internet suivant et en recherchant l'identifiant de votre modèle (*) qui se trouve sur la vignette énergie	
https://eprel.ec.europa.eu/	

INHALT

1 Votre réfrigérateur	3	4 Préparation	15
2 Précautions de sécurité importantes	4	5 Utilisation du réfrigérateur	16
Utilisation préconisée.....	4	Réglage de la température de fonctionnement	16
Sécurité générale.....	4	La température de fonctionnement est réglée à l'aide de la commande de température.....	16
Pour les appareils dotés d'une fontaine à eau ;.....	6	Commande De Température Et Réglage.....	16
Sécurité enfants.....	6	Dégivrage	17
Conformité avec la réglementation DEEE et mise au rebut des déchets.....	7	Interruption du produit	17
Informations relatives à l'emballage....	7	6 Entretien et nettoyage	18
Avertissement HCA	7	Protection des surfaces en plastique.	18
Mesures d'économie d'énergie.....	8	7 Dépannage	19
3 Installation	9		
Éléments à prendre en considération lors du déménagement de votre réfrigérateur	9		
Avant de mettre votre réfrigérateur en marche,	9		
Branchement électrique.....	10		
Mise au rebut de l'emballage	10		
Mise au rebut de votre ancien réfrigérateur	10		
Disposition et Installation	10		
Installation du réfrigérateur sous le plan de travail et réglage des pieds	12		
Remplacement de l'ampoule	13		
Réversibilité des portes.....	14		

1 Votre réfrigérateur



1. Etagères
2. Ampoule et boîtier de thermostat
3. Viande, saucisses, morceaux découpés, conserves.
4. Fruits, légumes, salades.
5. Tubes, petites bouteilles et cannettes.
6. Casier à oeufs
7. Boissons, grandes bouteilles.

i Les illustrations présentées dans cette notice d'utilisation sont schématiques et peuvent ne pas correspondre exactement à votre produit. Si des pièces présentées ne sont pas comprises dans le modèle que vous avez acheté, elles sont valables pour d'autres modèles.

2 Précautions de sécurité importantes

Veillez examiner les informations suivantes : Le non respect de ces consignes peut entraîner des blessures ou dommages matériels. Sinon, tout engagement lié à la garantie et à la fiabilité du produit devient invalide.

Votre appareil a une durée de vie de 10 ans. Pendant cette période, les pièces de rechange d'origine seront disponibles afin que l'appareil fonctionne comme il se doit.

Utilisation préconisée

Ce produit est prévu pour une utilisation

- en intérieur et dans des zones fermées telles que les maisons ;
- dans les environnements de travail fermés, tels que les magasins et les bureaux ;
- dans les lieux d'hébergement fermés, tels que les fermes, hôtels, pensions.
- Il ne doit pas être utilisé en extérieur.

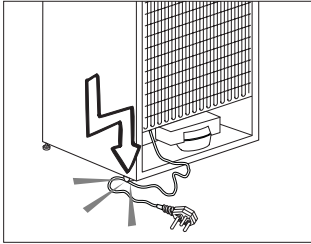
Sécurité générale

- Avant de vous débarrasser de votre appareil, veuillez consulter les autorités locales ou votre revendeur pour connaître le mode opératoire et les organismes de collecte agréés.
- Consultez le service après-vente agréé concernant toutes questions ou problèmes relatifs au réfrigérateur. N'intervenez pas ou ne laissez personne intervenir sur le réfrigérateur sans le communiquer au service après-vente agréé.

- Pour les produits équipés d'un compartiment congélateur : ne mangez pas de cônes de crème glacée ou des glaçons immédiatement après les avoir sortis du compartiment de congélation ! (Cela pourrait provoquer des engelures dans votre bouche).
- Pour les produits équipés d'un compartiment congélateur : ne placez pas de boissons en bouteille ou en cannette dans le compartiment de congélation. Cela peut entraîner leur éclatement.
- Ne touchez pas des produits congelés avec les mains, ils pourraient se coller à celles-ci.
- Débranchez votre réfrigérateur avant de le nettoyer ou de le dégivrer.
- La vapeur et des matériaux de nettoyage pulvérisés ne doivent jamais être utilisés pour les processus de nettoyage ou de dégivrage de votre réfrigérateur. La vapeur pourrait pénétrer dans les pièces électriques et provoquer des courts-circuits ou des électrocutions.
- Ne jamais utiliser les pièces de votre réfrigérateur telles que la porte, comme un support ou une marche.
- N'utilisez pas d'appareils électriques à l'intérieur du réfrigérateur.
- N'endommagez pas les pièces où circule le liquide réfrigérant avec des outils de forage ou coupants. Le liquide réfrigérant qui pourrait s'échapper si les canalisations de gaz de l'évaporateur, les rallonges de tuyau ou les revêtements de surface étaient percés, peut irriter la peau et provoquer des blessures aux yeux.

- Ne pas couvrir ou obstruer les orifices de ventilation du réfrigérateur.
- Les appareils électriques peuvent être réparés seulement par des personnes autorisées. Les réparations réalisées par des personnes ne présentant pas les compétences requises peuvent présenter un risque pour l'utilisateur.
- En cas de dysfonctionnement ou lors d'opérations d'entretien ou de réparation, débranchez l'alimentation électrique du réfrigérateur soit en désactivant le fusible correspondant, soit en débranchant l'appareil.
- Ne tirez pas sur le câble lorsque vous débranchez la prise.
- Placez les boissons alcoolisées verticalement, dans des récipients convenablement fermés.
- Ne conservez jamais des aérosols contenant des substances inflammables et explosives dans le réfrigérateur.
- N'utilisez pas d'outils mécaniques ou autres dispositifs pour accélérer le processus de décongélation autres que ceux qui sont recommandés par le fabricant.
- Ce produit n'est pas conçu pour être utilisé par des personnes (enfants compris) souffrant de déficience physique, sensorielle, mentale, ou inexpérimentées, à moins d'avoir obtenu une autorisation auprès des personnes responsables de leur sécurité.
- Ne faites pas fonctionner un réfrigérateur endommagé. Consultez le service agréé en cas de problème.
- La sécurité électrique du réfrigérateur n'est assurée que si le système de mise à la terre de votre domicile est conforme aux normes en vigueur.
- L'exposition du produit à la pluie, la neige, au soleil ou au vent présente des risques concernant la sécurité électrique.
- Contactez le service agréé quand un câble d'alimentation est endommagé pour éviter tout danger.
- Ne branchez jamais le réfrigérateur à la prise murale au cours de l'installation. Vous vous exposeriez à un risque de mort ou à de blessures graves.
- Ce réfrigérateur est conçu seulement pour conserver des aliments. Par conséquent, il ne doit pas être utilisé à d'autres fins.
- L'étiquette avec les caractéristiques techniques est située sur le mur gauche à l'intérieur du réfrigérateur.
- Ne branchez jamais votre réfrigérateur à des systèmes d'économie d'énergie, cela peut l'endommager.
- S'il y a une lumière bleue sur le réfrigérateur, ne la regardez pas avec des outils optiques.
- Pour les réfrigérateurs contrôlés manuellement, attendez au moins 5 minutes pour allumer le réfrigérateur après une coupure de courant.
- Si cet appareil venait à changer de propriétaire, n'oubliez pas de remettre la présente notice d'utilisation au nouveau bénéficiaire.
- Evitez d'endommager le câble d'alimentation quand vous transportez le réfrigérateur. Tordre le câble peut entraîner un incendie. Ne placez jamais d'objets lourds sur le câble d'alimentation.

- Évitez de toucher à la prise avec des mains mouillées au moment de brancher l'appareil.



- Évitez de brancher le réfrigérateur lorsque la prise de courant électrique a lâché.
- Pour des raisons de sécurité, évitez de pulvériser directement de l'eau sur les parties externes et internes du réfrigérateur.
- Ne pulvérisez pas de substances contenant des gaz inflammables comme du propane près du réfrigérateur pour éviter tout risque d'incendie et d'explosion.
- Ne placez jamais de récipients contenant de l'eau sur votre réfrigérateur, ils pourraient causer des chocs électriques ou un incendie.
- Évitez de surcharger le réfrigérateur avec une quantité excessive d'aliments. S'il est surchargé, les aliments peuvent tomber, vous blesser et endommager le réfrigérateur quand vous ouvrez la porte.
- Ne placez jamais d'objets au-dessus du réfrigérateur, ils pourraient tomber quand vous ouvrez ou fermez la porte du réfrigérateur.

- Les produits qui nécessitent un contrôle de température précis (vaccin, médicament sensible à la chaleur, matériels scientifiques, etc.) ne doivent pas être conservés dans le réfrigérateur.
- Si le réfrigérateur n'est pas utilisé pendant longtemps, il doit être débranché. Un problème avec le câble d'alimentation pourrait causer un incendie.
- Le bout de la prise électrique doit être nettoyé régulièrement à l'aide d'un chiffon sec, sinon il peut provoquer un incendie.
- Le réfrigérateur peut bouger si ses pieds réglables ne sont pas bien fixés sur le sol. Bien fixer les pieds réglables sur le sol peut empêcher le réfrigérateur de bouger.
- Quand vous transportez le réfrigérateur, ne le tenez pas par la poignée de la porte. Cela peut le casser.
- Quand vous devez placer votre produit près d'un autre réfrigérateur ou congélateur, la distance entre les appareils doit être d'au moins 8 cm. Sinon, les murs adjacents peuvent être humidifiés.

Pour les appareils dotés d'une fontaine à eau ;

La pression de l'alimentation en eau doit être comprise entre 1 et 8 bars.

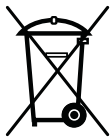
- Utilisez uniquement de l'eau potable.

Sécurité enfants

- Si la porte a un verrouillage, la clé doit rester hors de portée des enfants.
- Les enfants doivent être surveillés et empêchés de s'amuser avec le

Conformité avec la réglementation DEEE et mise au rebut des déchets

Ce produit ne contient pas de matériaux dangereux et interdits décrits dans la « Réglementation sur le contrôle des déchets d'équipements électriques et électroniques » publié par le Ministère de l'Environnement et de l'Urbanisme. Conforme avec la réglementation DEEE.



Le présent produit a été fabriqué avec des pièces et du matériel de qualité supérieure susceptibles d'être réutilisés et adaptés au recyclage. Par conséquent, nous vous

conseillons de ne pas le mettre au rebut aux côtés des ordures ménagères à la fin de sa durée de vie. Au contraire, rendez-vous dans un point de collecte pour le recyclage de tout matériel électrique et électronique. Veuillez vous rapprocher des autorités de votre localité pour plus d'informations concernant le point de collecte le plus proche. Aidez-nous à protéger l'environnement et les ressources naturelles en recyclant les produits usagés. Pour la sécurité des enfants, coupez le câble d'alimentation et le mécanisme de verrouillage de la porte, le cas échéant. Ce faisant, vous rendez l'appareil inopérant avant sa mise au rebut.

Informations relatives à l'emballage

Les matériaux d'emballage de cet appareil sont fabriqués à partir de matériaux recyclables, conformément à nos Réglementations Nationales en Environnement. Ne mélangez pas les matériaux d'emballage avec les déchets domestiques ou d'autres déchets. Amenez-les aux points de collecte des matériaux d'emballage, désignés par les autorités locales.

N'oubliez pas...

Pour la préservation de la nature et de notre santé, il est indispensable de recycler les matières.

Si vous voulez contribuer au recyclage des matériaux d'emballage, vous pouvez vous renseigner auprès d'organisations environnementales ou de l'autorité locale proche de votre domicile.

Avertissement HCA

Si le système de refroidissement de votre appareil contient R600a :

Ce gaz est inflammable. Par conséquent, veuillez prendre garde à ne pas endommager le système de refroidissement et les tuyauteries lors de son utilisation ou de son transport. En cas de dommages, éloignez votre produit de toute source potentielle de flammes susceptible de provoquer l'incendie de l'appareil. De même, placez le produit dans une pièce aérée.

Ne tenez pas compte de cet avertissement si le système de refroidissement de votre appareil contient R134a.

Le type de gaz utilisé dans l'appareil est mentionné sur la plaque signalétique située sur la paroi gauche de l'intérieur du réfrigérateur.

Ne jetez jamais l'appareil au feu pour vous en débarrasser.

Mesures d'économie d'énergie

- Ne laissez pas les portes du réfrigérateur ouvertes pendant une durée prolongée.
- N'introduisez pas de denrées ou de boissons chaudes dans le réfrigérateur.
- Ne surchargez pas le réfrigérateur pour ne pas obstruer pas la circulation d'air à l'intérieur.
- N'installez pas le réfrigérateur à la lumière directe du soleil ou près d'appareil émettant de la chaleur tels qu'un four, un lave-vaisselle ou un radiateur. Maintenez une distance d'au moins 30 cm entre votre réfrigérateur et toute source de chaleur, et à une distance de 5cm d'un four électrique.
- Veillez à conserver vos denrées dans des récipients fermés.
- Pour les produits équipés d'un compartiment congélateur : vous pouvez conserver une quantité maximale d'aliments dans le congélateur quand vous enlevez l'étagère ou le tiroir du congélateur. La consommation d'énergie précisée pour votre réfrigérateur a été déterminée en enlevant l'étagère ou le tiroir du congélateur et avec la charge maximale. Il n'y aucun risque à utiliser une étagère ou un tiroir en fonction des formes et tailles des denrées à congeler.

- La décongélation des aliments dans le compartiment réfrigérateur permet de faire des économies d'énergie et de préserver la qualité des aliments.

3 Installation

⚠ Dans l'hypothèse ou l'information contenue dans ce manuel n'a pas été prise en compte par l'utilisateur, le fabricant ne sera aucunement responsable en cas de problèmes.

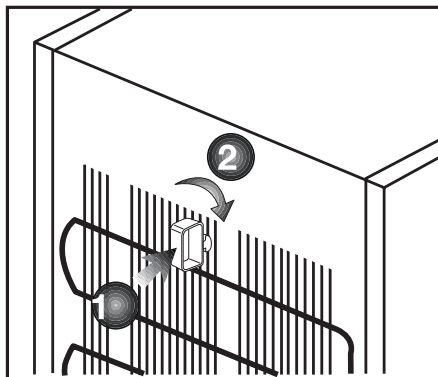
Éléments à prendre en considération lors du déménagement de votre réfrigérateur

1. Votre réfrigérateur doit être débranché.
2. Avant le transport de votre réfrigérateur, vous devez le vider et le nettoyer.
3. Avant d'emballer votre réfrigérateur, vous devez fixer ses étagères, bac, accessoires, etc, avec du ruban adhésif afin de les protéger contre les chocs.
4. L'emballage doit être solidement attaché avec du ruban adhésif épais ou avec un cordage solide. La réglementation en matière de transport et de marquage de l'emballage doit être strictement respectée.
5. L'emballage et les matériaux de protection d'emballage doivent être conservés pour les éventuels transports ou déplacements à venir.

Avant de mettre votre réfrigérateur en marche,

Vérifiez les points suivants avant de commencer à utiliser votre réfrigérateur

1. Fixez les câbles en plastique tel qu'indiqué sur le schéma ci-dessous. Les câbles en plastique servent à maintenir une distance permettant la circulation de l'air entre le réfrigérateur et le mur. (Cette image n'est donnée qu'à titre indicatif ; elle n'est pas identique à votre produit.)



2. Nettoyez l'intérieur du réfrigérateur tel qu'indiqué dans la section « Entretien et nettoyage ».
3. Insérez la prise du réfrigérateur dans la prise murale. Lorsque la porte du réfrigérateur est ouverte, la lampe interne du réfrigérateur s'éclaire.
4. Lorsque le compresseur commence à fonctionner, il émettra un son. Le liquide et les gaz intégrés au système du réfrigérateur peuvent également faire du bruit, que le compresseur soit en marche ou non. Ceci est tout à fait normal.
5. Les parties antérieures du réfrigérateur peuvent chauffer. Ce phénomène est normal. Ces zones doivent en principe être chaudes pour éviter tout risque de condensation.

Branchement électrique

Branchez votre réfrigérateur à une prise électrique protégée par un fusible ayant une capacité appropriée.

Important :

- Le branchement doit être conforme aux normes en vigueur sur le territoire national.
- La fiche du câble d'alimentation doit être facilement accessible après installation.
- La sécurité électrique du réfrigérateur n'est assurée que si le système de mise à la terre de votre domicile est conforme aux normes en vigueur.
- La tension indiquée sur l'étiquette située sur la paroi gauche interne de votre produit doit correspondre à celle fournie par votre réseau électrique.
- **Les rallonges et prises multivoies ne doivent pas être utilisés pour brancher l'appareil.**

⚠ Un câble d'alimentation endommagé doit être remplacé par un électricien qualifié.

⚠ L'appareil ne doit pas être mis en service avant d'être réparé ! Cette précaution permet d'éviter tout risque de choc électrique!

Mise au rebut de l'emballage

Les matériaux d'emballage peuvent être dangereux pour les enfants. Tenez les matériaux d'emballage hors de portée des enfants ou jetez-les conformément aux consignes établies par les autorités locales en matière de déchets. Ne les jetez pas avec les déchets domestiques, déposez-les dans les centres de collecte désignés par les autorités locales.

L'emballage de votre appareil est produit à partir de matériaux recyclables.

Mise au rebut de votre ancien réfrigérateur

Débarrassez-vous de votre ancien réfrigérateur sans nuire à l'environnement.

- Vous pouvez consulter le service après-vente agréé ou le centre chargé de la mise au rebut dans votre municipalité pour en savoir plus sur la mise au rebut de votre produit.

Avant de procéder à la mise au rebut de votre machine, coupez la prise électrique et, le cas échéant, tout verrouillage susceptible de se trouver sur la porte. Rendez-les inopérants afin de ne pas exposer les enfants à d'éventuels dangers.

Disposition et Installation

⚠ Si la porte d'entrée de la pièce où sera installé le réfrigérateur n'est pas assez large pour laisser passer le réfrigérateur, appelez le service après-vente qui retirera les portes du réfrigérateur et le fera entrer latéralement dans la pièce.

1. Installez le réfrigérateur dans un emplacement qui permette une utilisation pratique.
2. Maintenez le réfrigérateur éloigné de toutes sources de chaleur, des endroits humides et de la lumière directe du soleil.

- 3.** Une ventilation d'air autour du réfrigérateur doit être aménagée pour obtenir un fonctionnement efficace. Si le réfrigérateur est placé dans un enfoncement du mur, il doit y avoir un espace d'au moins 5 cm avec le plafond et d'au moins 5 cm avec le mur. Ne placez pas l'appareil sur des revêtements tels qu'un tapis ou de la moquette.
- 4.** Placez le réfrigérateur sur une surface plane afin d'éviter les à-coups.

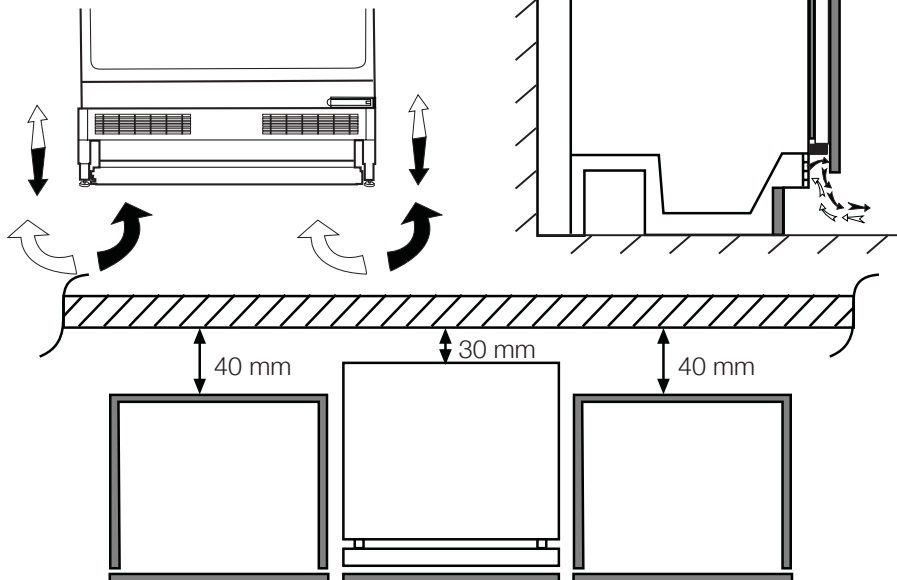
Installation du réfrigérateur sous le plan de travail et réglage des pieds

Lorsque de l'installation de votre réfrigérateur, prévoyez une distance d'au moins 30 mm entre le produit et le mur, tel qu'illustré dans le schéma.

Les canaux d'absorption d'air ne doivent pas être obstrués afin d'éviter une réduction de la performance de votre réfrigérateur. (140 cm²)

Si le réfrigérateur n'est pas stable.

Vous pouvez tourner les pieds avant de votre réfrigérateur tel qu'illustré dans le schéma, et l'équilibrer. Le côté du pied s'abaisse lorsque vous tournez dans la direction de la flèche noire; et s'élève lorsque vous tournez dans le sens opposé. La tâche sera plus facile pour vous lorsque vous demanderez à quelqu'un de vous aider à soulever quelque peu l'appareil durant ce processus.



Remplacement de l'ampoule

Pour remplacer la lampe LED du réfrigérateur, veuillez contacter le service après-vente agréé.

Les ampoules de cet appareil d'électroménager ne sont pas adaptées à une utilisation d'éclairage. L'utilisation recherchée de cette lampe et de permettre à l'utilisateur de placer confortablement et en sécurité les aliments dans le réfrigérateur / coffre.

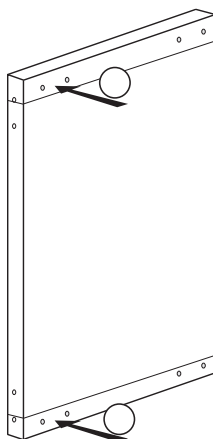
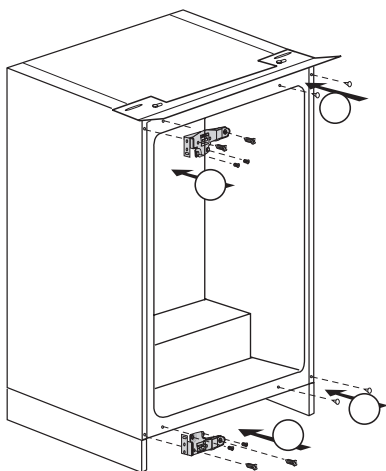
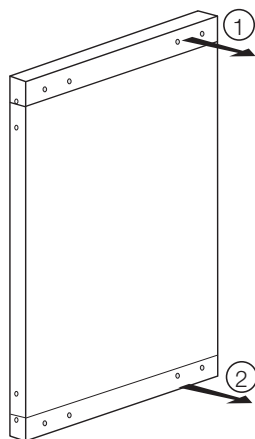
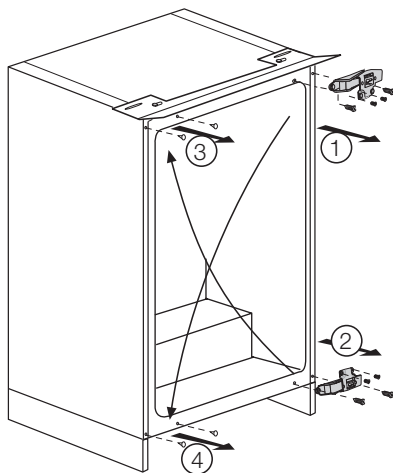
Les voyants utilisés dans cet appareil doivent résister aux conditions physiques extrêmes telles que des températures inférieures à -20 °C.

i Cet appareil est doté d'une source d'éclairage de classe énergétique "G".

Seuls des réparateurs qualifiés sont autorisés à procéder au remplacement de la source d'éclairage de cet appareil.

Réversibilité des portes

Procédez dans l'ordre numérique

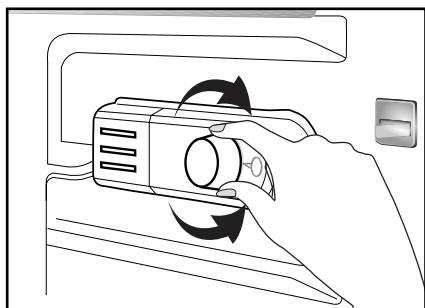


4 Préparation

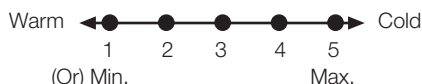
- Votre congélateur / réfrigérateur doit être installé à au moins 30 cm des sources de chaleur telles que les plaques de cuisson, les fours, appareils de chauffage ou cuisinières, et à au moins 5 cm des fours électriques. De même, il ne doit pas être exposé à la lumière directe du soleil.
- Veuillez vous assurer que l'intérieur de votre appareil est soigneusement nettoyé.
- La température ambiante de la pièce où vous installez le congélateur / réfrigérateur doit être d'au moins 10°C. Faire fonctionner l'appareil sous des températures inférieures n'est pas recommandé et pourrait nuire à son efficacité.
- Si deux congélateur / réfrigérateurs sont installés côte à côte, ils doivent être séparés par au moins 2 cm.
- Lorsque vous faites fonctionner le congélateur / réfrigérateur pour la première fois, assurez-vous de suivre les instructions suivantes pendant les six premières heures.
- La porte ne doit pas être ouverte fréquemment.
- Le congélateur / réfrigérateur doit fonctionner à vide, sans denrées à l'intérieur.
- Ne débranchez pas le congélateur / réfrigérateur. Si une panne de courant se produit, veuillez vous reporter aux avertissements dans la section « Solutions recommandées aux problèmes ».
- L'emballage et les matériaux de protection d'emballage doivent être conservés pour les éventuels transports ou déplacements à venir.

5 Utilisation du réfrigérateur

Réglage de la température de fonctionnement



La température de fonctionnement est réglée à l'aide de la commande de température.



1 = Réglage de réfrigération le plus faible (Réglage le plus chaud)

5 = Réglage de réfrigération le plus fort (Réglage le plus froid)

(Ou)

Min. = Réglage de réfrigération le plus faible

(Réglage le plus chaud)

Min. = Réglage de réfrigération le plus fort

(Réglage le plus froid)

La température médiane à l'intérieur du réfrigérateur doit être proche de +5 °C.

Veillez choisir le réglage en fonction de la température désirée.

Vous remarquerez qu'il y a plusieurs températures différentes dans la zone de réfrigération.

La zone la plus froide est située directement au-dessous du bac à légumes.

La température intérieure est également fonction de la température ambiante, la fréquence d'ouverture de la porte et la quantité de denrées stockées à l'intérieur.

Si la porte est ouverte fréquemment, la température intérieure monte.

Pour cette raison, il est recommandé de refermer la porte aussitôt que possible après utilisation.

Commande De Température Et Réglage

Les températures de fonctionnement s'ajustent à l'aide de la commande du thermostat (voir schéma). Les réglages vont de 1 à 5, la position la plus faible. Lorsque l'appareil est mis en marche pour la première fois, le thermostat doit être ajusté pour que, sous 24 heures, la température moyenne du réfrigérateur ne dépasse pas +5 degrés Celsius (+41 degrés Fahrenheit).

Nous vous conseillons de régler le thermostat sur une position médiane entre 1 et 5 et de contrôler que la température souhaitée soit atteinte; en d'autres termes quand vous vous approchez de 5, vous obtiendrez une température plus froide et vice versa. Certaines parties du réfrigérateur peuvent être plus fraîches ou plus chaudes (telles que le bac à légumes et la partie supérieure du compartiment), ce qui est tout à fait normal.

5

Lorsque la température ambiante est supérieure à 25°C (77°F), notamment en été, tournez le bouton du thermostat vers 5. Lorsque la température ambiante est inférieure à 25°C (77°F), tournez le bouton du thermostat sur une position médiane.

-

4

-

3

-

2

-

1

-

0

Si la porte est ouverte fréquemment, les températures internes montent, veillez donc à fermer la porte immédiatement après utilisation.

En cas de formation temporaire d'une couche de glace dans le compartiment réfrigérateur, réduisez le réglage du thermostat à 1, tout

en vous assurant que la température de réfrigération est au maximum de +5 degrés C (41 degrés F). Une fois que la formation de la couche de glace disparaît et que l'appareil recommence le processus de dégivrage automatique, vous pouvez alors augmenter le réglage du thermostat, si nécessaire.

Interruption du produit

Si la position « 0 » se trouve sur votre thermostat :

- Votre appareil cessera de fonctionner lorsque vous mettrez le bouton du thermostat à la position « 0 » (zéro). Votre appareil ne démarrera pas à moins que vous mettiez le bouton du thermostat sur la position « 1 » ou sur l'une des autres positions.

Si la position « min » se trouve sur votre thermostat :

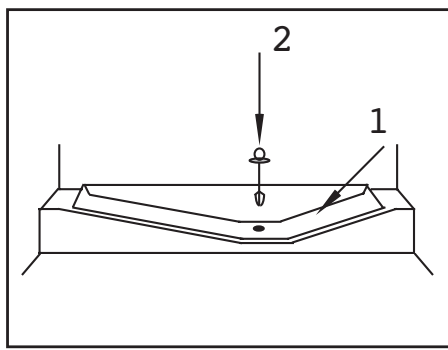
- Débranchez votre appareil pour l'arrêter.

Dégivrage

Le compartiment réfrigérateur dégivre automatiquement. L'eau de dégivrage s'évacue dans le tube d'écoulement par le biais d'une gouttière de récupération (1) et s'évapore dans un récipient spécial à l'arrière de l'appareil (voir le schéma).

Pendant le dégivrage, des gouttelettes d'eau peuvent se former à l'arrière du réfrigérateur, où un évaporateur est dissimulé. Des gouttelettes peuvent rester sur la cuve et geler une fois le dégivrage achevé. N'utilisez pas d'objets pointus ou tranchants tels que couteaux ou fourchettes pour enlever les gouttelettes ayant gelé à nouveau.

Si l'eau de dégivrage ne s'évacue pas du tout par la gouttière de récupération, vérifiez qu'aucune particule alimentaire ne bloque le tube d'écoulement. Le tube d'écoulement peut être nettoyé en enfonçant à l'intérieur l'éponge en plastique spéciale fournie (2).



6 Entretien et nettoyage

- ⚠ N'utilisez jamais d'essence, de benzène ou de matériaux similaires pour le nettoyage.
- ⚠ Nous vous recommandons de débrancher l'appareil avant de procéder au nettoyage.
- ℹ N'utilisez jamais d'ustensiles tranchants, savon, produit de nettoyage domestique, détergent et cirage pour le nettoyage.
- ℹ Utilisez de l'eau tiède pour nettoyer la carrosserie du congélateur / réfrigérateur et séchez-la soigneusement à l'aide d'un chiffon.
- ℹ Utilisez un chiffon humide imbibé d'une solution composée d'une cuillère à café de bicarbonate de soude pour un demi litre d'eau pour nettoyer l'intérieur et séchez soigneusement.
- ⚠ Prenez soin de ne pas faire couler d'eau dans le logement de la lampe et dans d'autres éléments électriques.
- ⚠ En cas de non utilisation de votre congélateur / réfrigérateur pendant une période prolongée, débranchez le câble d'alimentation, sortez toutes les denrées, nettoyez-le et laissez la porte entrouverte.
- ℹ Inspectez les joints de porte régulièrement pour vérifier qu'ils sont propres et qu'il n'y a pas de résidus de nourriture.

- ℹ Pour retirer les balconnets de portes, sortez tout son contenu puis poussez simplement le balconnet vers le haut à partir de la base.
- ℹ Ne jamais utiliser des produits nettoyants ou de l'eau contenant du chlore pour le nettoyage des surfaces externes et des pièces chromées du produit. Le chlore entraîne la corrosion de ces surfaces métalliques.

Protection des surfaces en plastique.

- Ne placez pas d'huiles ou de plats huileux dans le congélateur / réfrigérateur dans des récipients non fermés, car les graisses peuvent endommager les surfaces en plastique du congélateur / réfrigérateur. Si vous versez ou éclaboussez de l'huile sur les surfaces en plastique, nettoyez et lavez les parties souillées avec de l'eau chaude immédiatement.

7 Dépannage

Veillez vérifier la liste suivante avant d'appeler le service après-vente. Cela peut vous faire économiser du temps et de l'argent. Cette liste regroupe les problèmes les plus fréquents ne provenant pas d'un défaut de fabrication ou d'utilisation du matériel. Il se peut que certaines des fonctions décrites ne soient pas présentes sur votre produit.

Le réfrigérateur ne fonctionne pas.

- La fiche n'est pas insérée correctement dans la prise. >>>Insérez correctement la fiche dans la prise.
- Est-ce que le fusible ou la douille de raccord du réfrigérateur sont connectés ou est-ce que le fusible principal a sauté ? >>>Vérifiez le fusible.

Condensation sur la paroi intérieure du compartiment réfrigérateur. (MULTIZONE, COOL CONTROL et FLEXI ZONE).

- La température ambiante est très froide. >>>N'installez pas le réfrigérateur dans des endroits où la température peut être inférieure à 10 °C.
- La porte a été ouverte souvent. >>>Évitez d'ouvrir et de fermer trop fréquemment la porte du réfrigérateur.
- L'environnement est très humide. >>>N'installez pas votre réfrigérateur dans des endroits très humides.
- La nourriture contenant du liquide est conservée dans des récipients ouverts. >>>Ne conservez pas de la nourriture contenant du liquide dans des récipients ouverts.
- La porte du réfrigérateur est laissée entrouverte. >>>Fermez la porte du réfrigérateur.
- Le thermostat est réglé à un niveau très froid. >>>Réglez le thermostat à un niveau adapté.

• Le compresseur ne fonctionne pas.

- Le dispositif de protection thermique du compresseur sautera en cas de coupures soudaines du courant ou de débranchement intempestif, en effet la pression du liquide réfrigérant du système de refroidissement ne sera pas équilibrée. Le réfrigérateur recommencera à fonctionner normalement après 6 minutes environ. Veuillez contacter le service après-vente si le réfrigérateur ne redémarre pas après cette période.
- Le réfrigérateur est en mode de dégivrage. >>>Cela est normal pour un réfrigérateur à dégivrage semi-automatique. Le cycle de dégivrage se déclenche régulièrement.
- Le réfrigérateur n'est pas branché à la prise. >>>Assurez-vous que la prise est branchée dans la prise murale.
- Les réglages de température ne sont pas effectués correctement. >>>Sélectionnez la température appropriée.
- Il y a une panne de courant. >>>Le réfrigérateur recommence à fonctionner normalement après le retour du courant.

Le niveau sonore augmente lorsque le réfrigérateur est en marche.

- Les caractéristiques de performance du réfrigérateur peuvent changer en raison des variations de la température ambiante. Cela est normal et n'est pas un défaut.

Le réfrigérateur fonctionne fréquemment ou pendant de longues périodes.

- Votre nouveau réfrigérateur est peut être plus large que l'ancien. Les grands réfrigérateurs durent plus longtemps.
- La température de la pièce est probablement élevée. >>>Il est normal que l'appareil fonctionne plus longtemps quand la température ambiante est élevée.
- Le réfrigérateur pourrait y avoir été branché tout récemment ou pourrait avoir été chargé de denrées alimentaires. >>>Quand le réfrigérateur a été branché ou récemment rempli avec de la nourriture, il met plus de temps à atteindre la température réglée. Ce phénomène est normal.
- D'importantes quantités de denrées chaudes ont peut être été introduites dans le réfrigérateur récemment. >>>Ne mettez pas de nourriture chaude dans le réfrigérateur.
- Les portes ont peut être été ouvertes fréquemment ou laissées entrouvertes pendant une durée prolongée. >>>L'air chaud qui entre dans l'appareil oblige le réfrigérateur à travailler sur de plus longues périodes. N'ouvrez pas les portes fréquemment.
- La porte du congélateur ou du réfrigérateur est probablement entrouverte. >>>Vérifiez que les portes sont bien fermées.
- Le réfrigérateur est réglé à une température très basse. >>>Réglez la température du réfrigérateur à un degré supérieur et attendez que la température réglée soit atteinte.
- Le joint de la porte du réfrigérateur ou du congélateur peut être sale, déchiré, rompu ou mal en place. >>>Nettoyez ou remplacez le joint. Tout joint endommagé/déchiré fait fonctionner le réfrigérateur pendant une période de temps plus longue afin de conserver la température actuelle.

La température du congélateur est très basse alors que celle du réfrigérateur est correcte.

- La température du congélateur est réglée à une température très basse. >>>Réglez la température du congélateur à un degré supérieur et vérifiez.

La température du réfrigérateur est très basse alors que celle du congélateur est correcte.

- La température du réfrigérateur est réglée à une température très basse. >>>Réglez la température du réfrigérateur à un degré supérieur et vérifiez.

Les denrées conservées dans les tiroirs du compartiment de réfrigération sont congelées.

- La température du réfrigérateur est réglée à une température très basse. >>>Réglez la température du réfrigérateur à un niveau inférieur et vérifiez.

La température dans le réfrigérateur ou le congélateur est très élevée.

- La température du réfrigérateur est réglée à une température très basse. >>>Le réglage du compartiment réfrigérant a un effet sur la température du congélateur. Changez les températures du réfrigérateur ou du congélateur et attendez que les compartiments atteignent une température suffisante.
- Les portes ont peut être été ouvertes fréquemment ou laissées entrouvertes pendant une durée prolongée. >>>N'ouvrez pas les portes fréquemment.
- La porte est entrouverte. >>>Refermez complètement la porte.
- Le réfrigérateur a été récemment branché ou rempli avec de la nourriture. >>>Ce phénomène est normal. Lorsque le réfrigérateur vient d'être branché ou récemment rempli avec de la nourriture, il met plus de temps à atteindre la température réglée.
- D'importantes quantités de denrées chaudes ont peut être été introduites dans le réfrigérateur récemment. >>>Ne mettez pas de nourriture chaude dans le réfrigérateur.

• Vibrations ou bruits

- Le sol n'est pas plat ou stable. >>>Si le réfrigérateur balance lorsqu'il est déplacé lentement, équilibrez-le en ajustant sa base. Assurez-vous que le sol est plat et suffisamment solide pour supporter le poids et le volume de l'appareil.
- Les éléments placés sur le réfrigérateur peuvent faire du bruit. >>>Enlevez les éléments du haut du réfrigérateur.

Le réfrigérateur produit des bruits semblables à de l'eau qui coule, à la pulvérisation d'un liquide, etc.

- Des écoulements de gaz et de liquides surviennent dans le réfrigérateur, de par ses principes de fonctionnement Cela est normal et n'est pas un défaut.

Un sifflement sort du réfrigérateur.

- Les ventilateurs sont utilisés pour refroidir le réfrigérateur. Cela est normal et n'est pas un défaut.

Condensation sur les parois intérieures du réfrigérateur.

- Un temps chaud et humide augmente la formation de givre et de condensation. Cela est normal et n'est pas un défaut.
- Les portes ont peut être été ouvertes fréquemment ou laissées entrouvertes pendant une durée prolongée. >>>N'ouvrez pas les portes fréquemment. Refermez-les si elles sont ouvertes.
- La porte est entrouverte. >>>Refermez complètement la porte.

De l'humidité est présente à l'extérieur ou entre les portes du réfrigérateur.

- Il y a peut être de l'humidité dans l'air; ceci est tout à fait normal par un temps humide. Lorsque l'humidité est faible, la condensation disparaîtra.

Présence d'une mauvaise odeur dans le réfrigérateur.

- Il n'y a pas de nettoyage régulier effectué. >>>Nettoyez régulièrement l'intérieur du réfrigérateur avec une éponge, de l'eau tiède ou du carbonate dissout dans l'eau.
- Certains récipients ou matériaux d'emballage peuvent provoquer ces odeurs. >>>Utilisez un autre récipient ou changez de marque de matériau d'emballage.
- Les denrées sont mises au réfrigérateur dans des récipients sans couvercle. >>>Conservez les aliments liquides dans des récipients fermés. Les micro-organismes issus de récipients non fermés peuvent dégager des odeurs désagréables.
- Enlevez les aliments périmés et pourris du réfrigérateur.

La porte ne se ferme pas.

- Des récipients empêchent la fermeture de la porte. >>>Retirez les emballages qui obstruent la porte.
- Le réfrigérateur n'est pas complètement vertical sur le sol. >>>Ajustez les pieds du réfrigérateur pour l'équilibrer.
- Le sol n'est pas plat ou solide. >>>Assurez-vous que le sol est plat et qu'il peut supporter le poids du réfrigérateur.

Les bacs à légumes sont coincés.

- Il se peut que les denrées touchent le plafond du tiroir. >>>Disposez à nouveau les denrées dans le tiroir.

¡Lea este manual con detenimiento antes de usar el aparato!

Estimado cliente:

Queremos que este producto, fabricado en modernas instalaciones y que ha aprobado precisas pruebas de control de calidad, le ofrezca el mejor desempeño.

Por lo tanto, le solicitamos que lea este manual con detenimiento antes de usar el producto y que lo conserve para futuras referencias.




Este manual...


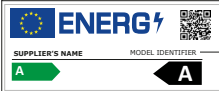
...le ayudará a usar la unidad de manera rápida y segura.

- * Lea el manual antes de instalar y poner en funcionamiento el producto.
 - * Siga las instrucciones, en particular aquellas relacionadas con la seguridad.
 - * Conserve el manual en un sitio de fácil acceso, ya que podría necesitarlo en el futuro.
 - * Además, lea también otros documentos provistos con el producto.
- Tenga en cuenta que este manual también podría ser válido para otros modelos.

Símbolos y sus descripciones

En este manual se utilizan los siguientes símbolos:

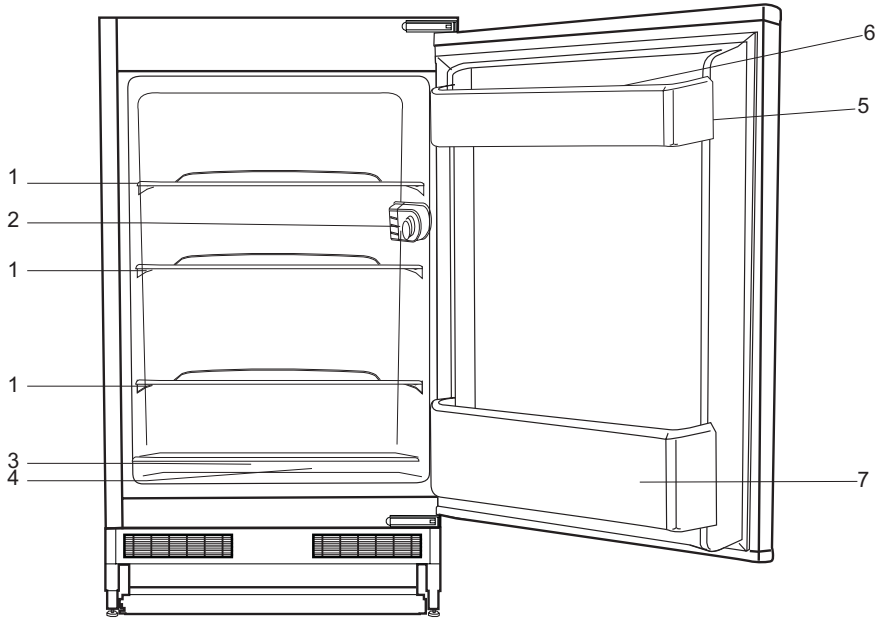
-  Información importante o consejos útiles sobre el funcionamiento.
-  Advertencia sobre situaciones peligrosas para la vida y la propiedad.
-  Advertencia acerca de la tensión eléctrica.

 INFORMACIÓN	
	La información del modelo, tal como está almacenada en la base de datos de productos, puede ser consultada en la página web siguiente introduciendo el identificador del modelo (*) que se encuentra en la etiqueta de clasificación energética. https://eprel.ec.europa.eu/

ÍNDICE

1 Su frigorífico	3	4 Preparación	14
2 Avisos importantes sobre la seguridad	4	5 Uso del frigorífico	15
Finalidad prevista.....	4	Ajuste de la temperatura de funcionamiento.....	15
Productos equipados con dispensador de agua:.....	6	La temperatura de funcionamiento se regula mediante el mando de control de temperatura.....	15
Seguridad infantil.....	7	Ajuste Y Control De La Temperatura	15
Conformidad con la normativa WEEE y eliminación del aparato al final de su vida útil:.....	7	Parada del aparato.....	16
Cumplimiento de la directiva RoHS:...	7	Deshielo.....	16
Información sobre el embalaje.....	7	6 Mantenimiento y limpieza	17
Advertencia sobre la seguridad de la salud.....	7	Protección de las superficies de plástico.....	17
Consejos para el ahorro de energía...8		7 Sugerencias para la solución de problemas	18
3 Instalación	9		
Cuestiones a considerar a la hora de transportar el frigorífico.....	9		
Antes de usar el frigorífico.....	9		
Conexiones eléctricas.....	9		
Eliminación del embalaje.....	10		
Eliminación de su viejo frigorífico.....	10		
Colocación e instalación.....	10		
Colocación del frigorífico bajo la encimera y ajuste de los pies.....	11		
Cambio de la bombilla de iluminación.....	12		
Inversión de las puertas.....	13		

1 Su frigorífico



1. Estantes
2. Caja del termostato y la bombilla
3. Carnes, embutidos, fiambres, latas.
4. Frutas, verduras, ensaladas.
5. Tubos, botellas pequeñas y latas.
6. Huevera
7. Bebidas, botellas grandes.

i Las figuras en este manual son esquemáticas y pueden no corresponderse exactamente con su producto. Si el aparato que adquirió no presenta las piezas mostradas, entonces las ilustraciones corresponden a otros modelos.

2 Avisos importantes sobre la seguridad

Lea con atención la siguiente información. No tener en cuenta dicha información podría acarrear lesiones o daños materiales. En tal caso, las garantías y los compromisos de fiabilidad quedarían anulados.

La vida útil de la unidad adquirida es de 10 años. Éste es el período durante el cual se garantiza la disponibilidad de las piezas de repuesto para la unidad.

Finalidad prevista

Este aparato está diseñado para usarse en los siguientes entornos:

- interiores y entornos cerrados tales como domicilios particulares;
- entornos cerrados de trabajo tales como almacenes u oficinas;
- zonas de servicio cerradas tales como casas rurales, hoteles o pensiones.
- Este aparato no se debe usar al aire libre.

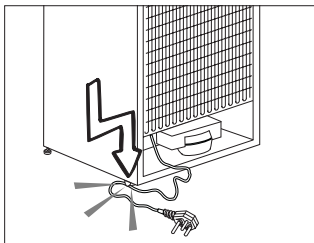
Seguridad general

- Cuando desee deshacerse del aparato, le recomendamos que solicite a su servicio técnico autorizado la información necesaria a este respecto, así como la relación de entidades locales a las que puede dirigirse.
- En caso de dudas o problemas, diríjase a su servicio técnico autorizado. No intente reparar el frigorífico sin consultar con el servicio técnico, ni deje que nadie lo haga.

- Para aparatos equipados con un compartimento congelador: no consuma los helados o cubitos de hielo inmediatamente después de sacarlos del compartimento congelador, ya que podría sufrir daños en su boca a causa del frío.
- Para aparatos equipados con un compartimento congelador: no deposite bebidas embotelladas o enlatadas en el compartimento congelador, ya que podrían estallar.
- No toque con la mano los alimentos congelados, ya que podrían adherirse a ella.
- Desenchufe su frigorífico antes de proceder a su limpieza o deshielo.
- No utilice nunca materiales de limpieza que usen vapor para limpiar o descongelar el frigorífico. El vapor podría entrar en contacto con los elementos eléctricos y causar cortocircuitos o descargas eléctricas.
- No utilice nunca elementos del frigorífico tales como la puerta como medio de sujeción o como escalón.
- No utilice aparatos eléctricos en el interior del frigorífico.
- Evite dañar el circuito del refrigerante con herramientas cortantes o de perforación. El refrigerante que puede liberarse si se perforan los canales de gas del evaporador, los conductos o los recubrimientos de las superficies causa irritaciones en la piel y lesiones en los ojos.
- No cubra ni bloquee los orificios de ventilación de su frigorífico con ningún material.

- Deje la reparación de los aparatos eléctricos únicamente en manos de personal autorizado. Las reparaciones realizadas por personas incompetentes generan riesgos para el usuario.
- En caso de fallo o cuando vaya a realizar cualquier operación de reparación o mantenimiento, desconecte el frigorífico de la corriente apagando el fusible correspondiente o bien desenchufando el aparato.
- No desenchufe el aparato de la toma de corriente tirando del cable.
- Coloque las bebidas de mayor graduación alcohólica juntas y en posición vertical.
- No almacene en el frigorífico aerosoles que contengan sustancias inflamables o explosivas.
- No utilice dispositivos mecánicos u otros medios para acelerar el proceso de deshielo distintos de los recomendados por el fabricante.
- Este aparato no debe ser utilizado por niños o por personas con sus facultades físicas, sensoriales o mentales reducidas o bien que carezcan de la experiencia y los conocimientos necesarios, a menos que lo hagan bajo la supervisión de personas responsables de su seguridad o bien tras haber recibido instrucciones de uso por parte de dichas personas.
- No utilice un frigorífico que haya sufrido daños. Consulte con el servicio de atención al cliente en caso de duda.
- La seguridad eléctrica de su frigorífico sólo estará garantizada si el sistema de toma de tierra de su domicilio se ajusta a los estándares.
- Desde el punto de vista de la seguridad eléctrica, es peligroso exponer el aparato a la lluvia, la nieve o el viento.
- Póngase en contacto con el servicio técnico autorizado en caso de que el cable de alimentación principal se dañe, para evitar cualquier peligro.
- Nunca enchufe el frigorífico en la toma de corriente durante su instalación. Existe peligro de lesiones graves e incluso de muerte.
- Este frigorífico está únicamente diseñado para almacenar alimentos. No debe utilizarse para ningún otro propósito.
- La etiqueta que contiene los datos técnicos del frigorífico se encuentra en la parte interior izquierda del mismo.
- Jamás conecte el frigorífico a sistemas de ahorro de electricidad, ya que podría dañarlo.
- Si el frigorífico está equipado con una luz azul, no la mire a través de dispositivos ópticos.
- En los frigoríficos de control manual, si se produce un corte del fluido eléctrico espere al menos 5 minutos antes de volver a ponerlo en marcha.
- Cuando entregue este aparato a un nuevo propietario, asegúrese de entregar también este manual de instrucciones.
- Tenga cuidado de no dañar el cable de alimentación al transportar el frigorífico. Doblar el cable podría

causar un incendio. Nunca deposite objetos pesados encima del cable de alimentación. No toque el enchufe con las manos mojadas para conectar el aparato.



- No enchufe el refrigerador si el enchufe no encaja con firmeza en la toma de corriente de la pared.
- Por razones de seguridad, no pulverice agua directamente en la partes interiores o exteriores de este aparato.
- No rocíe cerca del refrigerador sustancias que contengan gases inflamables tales como gas propano para evitar riesgos de incendio y explosiones.
- Nunca coloque recipientes con agua sobre el refrigerador, ya que podría provocar una descarga eléctrica o un incendio.
- No deposite cantidades excesivas de alimentos en el refrigerador. Si lo hace, al abrir la puerta del refrigerador los alimentos podrían caerse y provocar lesiones personales o dañar el refrigerador. Nunca coloque objetos sobre el refrigerador, ya que podrían caer al abrir o cerrar la puerta.
- No guarde en el refrigerador productos que necesiten un control preciso de la temperatura tales como vacunas, medicamentos sensibles al calor, materiales científicos, etc.

- Desenchufe el refrigerador si no lo va a utilizar durante un periodo prolongado de tiempo. Un problema en el cable de alimentación podría causar un incendio.
- Limpie regularmente la punta del enchufe, ya que de lo contrario puede provocar un incendio.
- Limpie regularmente la punta del enchufe con un paño seco; de lo contrario podría provocarse un incendio.
- El refrigerador podría moverse si los pies no están adecuadamente asentados en el suelo. Fijar adecuadamente los pies del refrigerador en el suelo puede ayudar a evitar que se mueva.
- Cuando transporte el refrigerador, no lo aferre del asa de la puerta. De lo contrario, podría romperla.
- Cuando tenga que colocar el refrigerador cerca de otro refrigerador o congelador, deberá dejar un espacio entre ambos aparatos de 8 cm como mínimo. De lo contrario, podría formarse humedad en las paredes adyacentes.

Productos equipados con dispensador de agua:

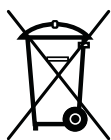
La presión de la red de suministro de agua debe ser de un mínimo de 1 bar. La presión de la red de suministro de agua debe ser de 8 bares como máximo.

- Use agua potable únicamente.

Seguridad infantil

- Si la puerta tiene cerradura, mantenga la llave fuera del alcance de los niños.
- Vigile a los niños para evitar que manipulen el aparato.

Conformidad con la normativa WEEE y eliminación del aparato al final de su vida útil:



Este producto es conforme con la directiva de la UE sobre residuos de aparatos eléctricos y electrónicos (WEEE) (2012/19/UE).

Este producto incorpora el símbolo de la clasificación selectiva para los residuos de aparatos eléctricos y electrónicos (WEEE).

Este aparato se ha fabricado con piezas y materiales de primera calidad, que pueden ser reutilizados y son aptos para el reciclado. No se deshaga del producto junto con sus los residuos domésticos normales y de otros tipos al final de su vida útil. Llévelo a un centro de reciclaje de dispositivos eléctricos y electrónicos. Solicite a las autoridades locales información acerca de dichos centros de recogida.

Cumplimiento de la directiva RoHS:

El producto que ha adquirido es conforme con la directiva de la UE sobre la restricción de sustancias peligrosas (RoHS) (2011/65/UE). No contiene ninguno de los materiales nocivos o prohibidos especificados en la directiva.

Información sobre el embalaje

El embalaje del aparato se fabrica con materiales reciclables, de acuerdo con nuestro Reglamento Nacional sobre Medio Ambiente. No elimine los materiales de embalaje junto con los residuos domésticos o de otro tipo. Llévelos a un punto de recogida de materiales de embalaje designado por las autoridades locales.

Advertencia sobre la seguridad de la salud

Si el sistema de refrigeración de su aparato contiene R600a:

Este gas es inflamable. Por lo tanto, procure no dañar el sistema de enfriamiento ni sus conductos durante el uso o el transporte del aparato. En caso de daños, mantenga el aparato alejado de fuentes potenciales de ignición que puedan provocar que éste sufra un incendio, y ventile la estancia en la que se encuentre el aparato.

Ignore esta advertencia si el sistema de refrigeración de su aparato contiene R134a.

El tipo de gas utilizado en el aparato se indica en la placa de datos ubicada en la pared interior izquierda del frigorífico.

Jamás arroje el aparato al fuego.

Consejos para el ahorro de energía

- No deje las puertas del frigorífico abiertas durante periodos largos de tiempo.
- No introduzca alimentos o bebidas calientes en el frigorífico.
- No sobrecargue el frigorífico, ya que entorpecería la circulación del aire en su interior.
- No instale el frigorífico de forma que quede expuesto a la luz solar directa o cerca de aparatos que irradian calor tales como hornos, lavavajillas o radiadores.
- Procure depositar los alimentos en recipientes cerrados.
- Productos equipados con compartimento congelador: puede disponer del máximo volumen para el depósito de alimentos retirando el estante o el cajón del congelador. El consumo energético que se indica para su frigorífico se ha calculado retirando el estante o el cajón del congelador y en condiciones de máxima carga. No existe ningún riesgo en la utilización de un estante o cajón según las formas o tamaños de los alimentos que se van a congelar.
- Descongele los alimentos congelados en el compartimento frigorífico; ahorrará energía y preservará la calidad de los alimentos.

3 Instalación

⚠ Recuerde que el fabricante declina toda responsabilidad en caso de incumplimiento de las instrucciones de este manual.

Cuestiones a considerar a la hora de transportar el frigorífico

1. El frigorífico debe estar vacío y limpio antes de proceder a su transporte.
2. Los estantes, accesorios, el cajón de frutas y verduras, etc., deben sujetarse con cinta adhesiva antes de embalar el frigorífico para evitar que se muevan.
3. Encinte el frigorífico una vez embalado con cinta gruesa y fíjelo con cuerdas resistentes. Siga las reglas de transporte que encontrará impresas en el propio embalaje.

No olvide que:

El reciclaje de materiales es un asunto de vital importancia para la naturaleza y para los recursos del país.

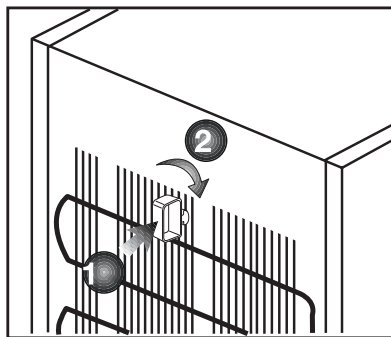
Si desea contribuir al reciclaje de los materiales de embalaje, solicite más información a los responsables medioambientales de su zona o a las autoridades locales.

Antes de usar el frigorífico

Antes de empezar a usar el frigorífico, verifique lo siguiente:

1. El interior del frigorífico está seco y el aire puede circular con libertad por su parte posterior.

2. Introduzca 2 cuñas plásticas en la ventilación trasera, como se muestra en la figura siguiente. Las cuñas de plástico proporcionarán la distancia requerida entre su frigorífico y la pared para una correcta circulación del aire.



3. Limpie el interior del frigorífico de la forma recomendada en la sección “Mantenimiento y Limpieza”.
4. Enchufe el frigorífico a la toma de corriente. Al abrir la puerta del frigorífico, la luz interior del compartimento frigorífico se enciende

Conexiones eléctricas

Conecte el frigorífico a una toma de corriente provista de toma de tierra y protegida por un fusible de la capacidad adecuada.

Importante:

- La conexión debe cumplir con las normativas nacionales.
- El enchufe de alimentación debe ser fácilmente accesible tras la instalación.
- La tensión especificada debe corresponder a la tensión de la red eléctrica.

- No use cables de extensión ni enchufes múltiples para conectar la unidad.

⚠ Todo cable de alimentación dañado debe ser reemplazado por un electricista cualificado.

⚠ No ponga en funcionamiento el aparato hasta que esté reparado, ya que existe peligro de cortocircuito.

Eliminación del embalaje

Los materiales de empaque pueden ser peligrosos para los niños. Manténgalos fuera de su alcance o deshágase de ellos clasificándolos según las instrucciones para la eliminación de residuos. No los tire junto con los residuos domésticos normales.

El embalaje del frigorífico se ha fabricado con materiales reciclables.

Eliminación de su viejo frigorífico

Deshágase de su viejo frigorífico de manera respetuosa con el medio ambiente.

- Consulte las posibles alternativas a un distribuidor autorizado o al centro de recogida de residuos de su municipio.

Antes de proceder a la eliminación del frigorífico, corte el enchufe y, si las puertas tuvieran cierres, destrúyalos para evitar que los niños corran riesgos.

Colocación e instalación

⚠ Si la puerta de entrada a la estancia donde va a instalar el frigorífico no es lo suficientemente ancha como para permitir su paso, solicite al servicio técnico que retire las puertas del frigorífico y lo pase de lado a través de la puerta.

1. Instale el frigorífico en un lugar en el que pueda utilizarse con comodidad.
2. Mantenga el frigorífico alejado de fuentes de calor y lugares húmedos y evite su exposición directa a la luz solar.
3. Para que el frigorífico funcione con la máxima eficacia, debe instalarse en una zona que disponga de una ventilación adecuada. Si el frigorífico va a instalarse en un hueco de la pared, debe dejarse un mínimo de 5 cm de separación con el techo y de 5 cm con las paredes. Si el suelo está cubierto con una alfombra, deberá elevar el frigorífico 2,5 cm del suelo.
4. Coloque el frigorífico sobre una superficie lisa para evitar sacudidas.

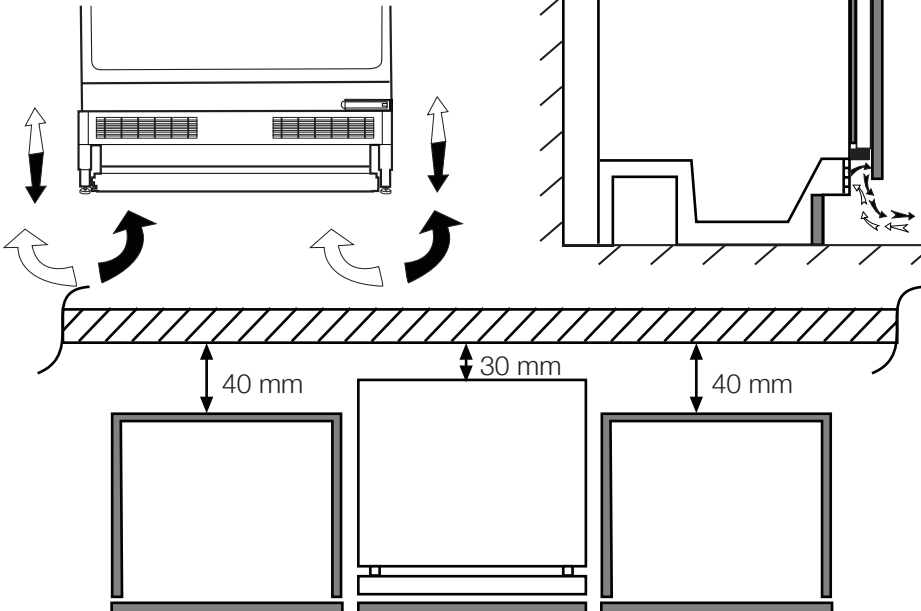
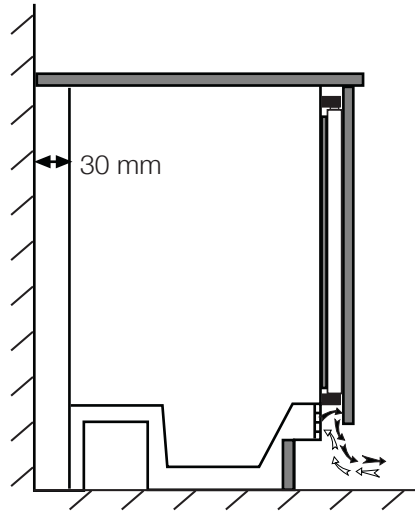
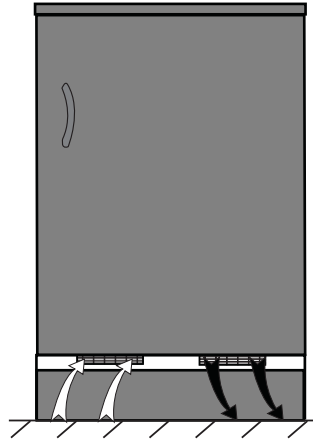
Colocación del frigorífico bajo la encimera y ajuste de los pies

Cuando coloque el frigorífico, deberá quedar un espacio libre entre éste y la pared de 30 mm como mínimo, tal como se observa en la figura.

Los canales de absorción de agua no deberán estar obstruidos, para que no disminuya el desempeño del aparato. (140 cm²)

Si el frigorífico está inestable:

Puede girar los pies delanteros, tal como se observa en la figura, hasta encontrar una posición en equilibrio. La esquina correspondiente baja cuando se hace girar este pie en dirección de la flecha negra; sube, cuando se lo gira en dirección contraria. Para usted será más sencillo hacer esto si busca ayuda para levantar un poquito la unidad.



Cambio de la bombilla de iluminación

Para cambiar la bombilla utilizada para iluminar el frigorífico, póngase en contacto con el servicio técnico autorizado.

Las bombillas de este electrodoméstico no sirven para la iluminación en el hogar. Su propósito es el de ayudar al usuario a colocar los alimentos en el frigorífico o congelador de forma cómoda y segura.

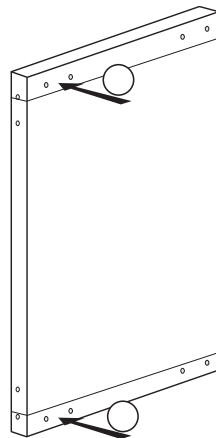
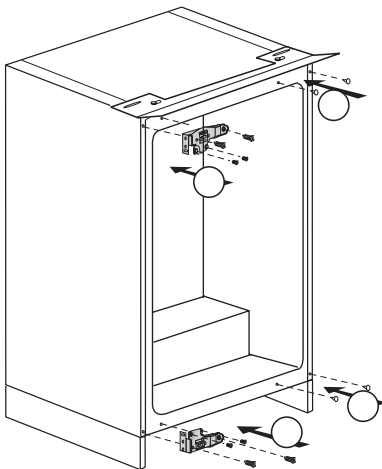
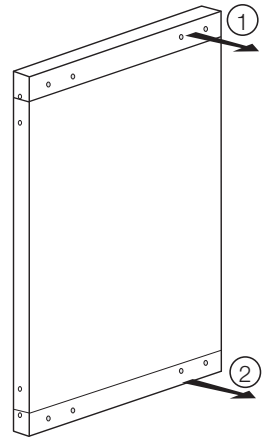
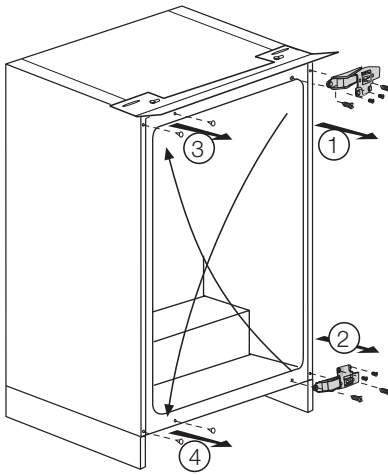
Las lámparas utilizadas en este electrodoméstico soportan unas condiciones físicas extremas como temperaturas inferiores a -20°C .

i Este producto está equipado con una fuente de iluminación de la clase energética "G".

La fuente de iluminación de este producto sólo debe ser sustituida por reparadores profesionales.

Inversión de las puertas

Proceder en orden numérico

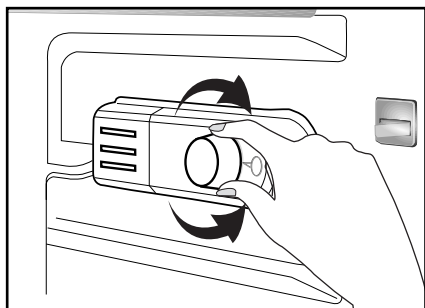


4 Preparación

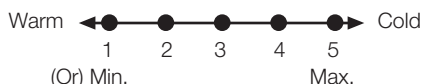
- El frigorífico debe instalarse dejando una separación no inferior a 30 cm respecto a fuentes de calor tales como quemadores, hornos, calefacciones o estufas y no inferior a 5 cm con respecto a hornos eléctricos, evitando asimismo su exposición directa a la luz solar.
- La temperatura ambiente de la estancia donde instale el frigorífico no debe ser inferior a 10 °C. A temperaturas inferiores, el frigorífico puede ver reducida su eficacia.
- Asegúrese de limpiar meticulosamente el interior del frigorífico.
- En caso de que vaya a instalar dos frigoríficos uno al lado del otro, debe dejar una separación no inferior a 2 cm entre ellos.
- Al utilizar el frigorífico por primera vez, siga las siguientes instrucciones referentes a las primeras seis horas.
- No abra la puerta con frecuencia.
- No deposite alimentos en el interior.
- No desenchufe el frigorífico. En caso de corte del suministro eléctrico ajeno a su voluntad, consulte las advertencias de la sección "Sugerencias para la solución de problemas".
- Guarde el embalaje original para futuros traslados.

5 Uso del frigorífico

Ajuste de la temperatura de funcionamiento



La temperatura de funcionamiento se regula mediante el mando de control de temperatura.



1 = Nivel mínimo de refrigeración (Posición de máximo calor)
5 = Nivel máximo de refrigeración (Posición de máximo frío)

(O)

Mín. = Nivel mínimo de refrigeración

(Posición de máximo calor)

Máx. = Nivel máximo de refrigeración

(Posición de máximo frío)

La temperatura media en el interior del frigorífico debería ser de unos +5 °C.

Seleccione el ajuste en función de la temperatura deseada.

Tenga en cuenta que habrá diferentes temperaturas en el área de refrigeración.

La zona más fría se encuentra situada justo encima del compartimento de las verduras.

La temperatura interior depende asimismo de la temperatura ambiente, la frecuencia de apertura de la puerta y la cantidad de alimentos almacenados.

Una apertura frecuente de la puerta provoca una subida de la temperatura del interior.

Por este motivo, se recomienda cerrar la puerta lo antes posible después de cada uso.

Ajuste Y Control De La Temperatura

El termostato controla las temperaturas de funcionamiento (ver diagrama). Se puede configurar entre 1 y 5, siendo esta última la posición más fría. Cuando se enciende por primera vez el aparato, se deberá ajustar el termostato de modo que tras 24 horas, la temperatura promedio del frigorífico no sea superior a +5°C (+41°F).

Recomendamos colocar el termostato en una posición intermedia entre el 1 y el 5 e ir supervisando el frigorífico para obtener la temperatura deseada; las posiciones cercanas al 5 resultarán en temperaturas más bajas y viceversa. Algunas zonas del frigorífico estarán más calientes (como el cajón de frutas y verduras y la parte superior del compartimento refrigerador) o más frías, lo cual es perfectamente normal.

Con temperaturas ambiente por encima de los 25 °C (77 °F), especialmente en verano, ponga el mando del termostato en posiciones cercanas al 5. Con temperaturas ambiente por debajo de los 25 °C (77 °F), ponga el mando del termostato en

5

La apertura frecuente de la puerta puede elevar la temperatura interna del frigorífico; cierre la puerta tan pronto como sea posible tras el uso.

4

En caso de que se forme hielo temporalmente en el compartimento frigorífico, ponga el termostato en la posición 1, comprobando que la temperatura en el frigorífico sea como máximo de 5 °C (41 °F). Una vez el hielo se funda y el aparato inicie el proceso de deshielo automático con normalidad, podrá incrementar el ajuste del termostato, si fuese necesario.

3

2

1

0

Parada del aparato

Si su termostato dispone de posición "0":

- Su aparato dejará de funcionar al poner el botón del termostato en la posición "0" (cero). El aparato no se pondrá en marcha hasta que no sitúe de nuevo el botón del termostato en la posición "1" o en cualquiera de las demás posiciones.

Si su termostato dispone de posición "min":

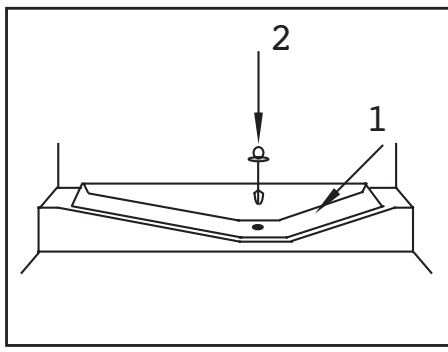
- Desenchufe el aparato para detener su funcionamiento.

Deshielo

La despensa frigorífica se deshiela automáticamente. El agua de deshielo se canaliza al tubo de drenaje a través de un canal de recogida y se evapora en un depósito especial (1) situado en la parte posterior del aparato (ver diagrama).

Durante el deshielo se pueden formar gotas de agua en la parte trasera de la despensa frigorífica donde se encuentra empotrado el evaporador. Algunas gotas pueden permanecer en el revestimiento interior y volver a congelarse después de finalizado el deshielo. No utilice nunca objetos con punta o bordes afilados, como cuchillos o tenedores, para retirar las gotas que se hayan vuelto a congelar.

Si en algún momento el agua del deshielo no se desagüa por el canal de recogida, compruebe que no haya restos de alimentos que obstruyan el conducto de desagüe. El tubo de desagüe se puede vaciar accionando el émbolo de plástico situado en su parte inferior (2).



6 Mantenimiento y limpieza

- ⚠ No utilice nunca gasolina, benceno o sustancias similares para la limpieza.
- ⚠ Le recomendamos desenchufar el aparato antes de proceder a su limpieza.
- ℹ No utilice nunca para la limpieza instrumentos afilados o sustancias abrasivas, jabones, limpiadores domésticos, detergentes ni ceras abrillantadoras.
- ℹ Limpie el armario del frigorífico con agua tibia y séquelo con un paño.
- ℹ Para limpiar el interior, utilice un paño humedecido en un vaso grande de agua con una cucharadita de bicarbonato sódico disuelta y séquelo con un trapo.
- ⚠ Asegúrese de que no penetre agua en el alojamiento de la lámpara ni en otros elementos eléctricos.
- ⚠ Si no va a utilizar el frigorífico durante un periodo prolongado, desenchúfelo, retire todos los alimentos, límpielo y deje la puerta entreabierta.
- ℹ Compruebe regularmente los cierres herméticos de la puerta para asegurarse de que estén limpios y sin restos de alimentos.
- ℹ Para extraer las bandejas de la puerta, retire todo su contenido y, a continuación, simplemente empuje la bandeja hacia arriba desde su base.

- ℹ Nunca use agentes de limpieza o agua que contengan cloro para limpiar las superficies exteriores y los cromados del producto, ya que el cloro corroe dichas superficies metálicas.

Protección de las superficies de plástico

- ℹ No deposite aceites líquidos o alimentos aceitosos en recipientes no cerrados ya que dañarán las superficies de plástico de su frigorífico. En caso de derrame de aceite sobre las superficies de plástico, limpie y enjuague con agua caliente la parte afectada de inmediato.

7 Sugerencias para la solución de problemas

Le rogamos compruebe la siguiente lista antes de llamar al servicio técnico. Ello puede ayudarle a ahorrar tiempo y dinero. Esta lista incluye problemas frecuentes no achacables a defectos en materiales o manufactura. Es posible que algunas de las características mencionadas no estén presentes en su producto.

El refrigerador no funciona
<ul style="list-style-type: none">• ¿Está el frigorífico correctamente enchufado? Inserte el enchufe en la toma de corriente.• ¿Están fundidos el fusible principal o el fusible del enchufe al cual ha conectado el frigorífico? Revise los fusibles.
Condensación en la pared lateral del compartimento refrigerador. (MULTI ZONE, COOL CONTROL y FLEXI ZONE)
<ul style="list-style-type: none">• Condiciones ambientales muy frías. Frecuente apertura y cierre de la puerta. Nivel alto de humedad ambiental. Almacenamiento de alimentos que contienen líquidos en recipientes abiertos. Dejar la puerta entreabierta.• Ponga el termostato a una temperatura más baja.• Deje la puerta abierta durante menos tiempo o ábrala con menor frecuencia.• Cubra los alimentos almacenados en recipientes abiertos con un material adecuado.• Enjague el agua condensada con un paño seco y compruebe si la condensación persiste.
El compresor no funciona
<ul style="list-style-type: none">• El dispositivo térmico protector del compresor saltará en caso de un corte súbito de energía o de idas y venidas de la corriente, ya que la presión del refrigerante en el sistema de enfriamiento aún no se ha estabilizado.• Su frigorífico se pondrá en marcha transcurridos unos 6 minutos. Llame al servicio técnico si su frigorífico no se pone en marcha transcurrido ese periodo.• El frigorífico se encuentra en el ciclo de descongelación. Esto es normal en un frigorífico con descongelación automática. El ciclo de descongelación se produce de forma periódica.• El frigorífico no está enchufado. Compruebe que el enchufe esté firmemente insertado en la toma de corriente.• ¿Está la temperatura correctamente fijada? Hay un corte del fluido eléctrico. Llame a su electricista.

El frigorífico está en funcionamiento con frecuencia o durante periodos prolongados.

- Puede que su nuevo frigorífico sea más grande que el que tenía anteriormente. Esto es perfectamente normal. Los frigoríficos de mayor tamaño funcionan durante más tiempo.
- Es posible que la temperatura ambiente de la estancia sea más alta. Esto es perfectamente normal.
- Es posible que haya enchufado el frigorífico o bien lo haya cargado de alimentos recientemente. Puede que el frigorífico tarde unas dos horas en enfriarse por completo.
- Es posible que recientemente haya depositado grandes cantidades de alimentos en el frigorífico. Los alimentos calientes pueden ocasionar que el frigorífico trabaje durante más tiempo hasta alcanzar la temperatura de almacenamiento seguro.
- Es posible que las puertas se hayan abierto con frecuencia o que se hayan dejado entreabiertas por un tiempo prolongado. El aire caliente que ha penetrado en el frigorífico hace que éste funcione durante más tiempo. Abra las puertas con menos frecuencia.
- Es posible que la puerta del compartimento frigorífico o congelador se haya dejado entreabierta. Compruebe que las puertas estén bien cerradas.
- El frigorífico está ajustado a una temperatura muy baja. Ajuste la temperatura del frigorífico a un valor más alto y espere a que se alcance dicha temperatura.
- La junta de la puerta del compartimento frigorífico o congelador puede estar sucia, desgastada, rota o no asentada correctamente. Limpie o sustituya la junta. Una junta rota o dañada hace que el frigorífico funcione durante más tiempo con el fin de mantener la temperatura actual.

La temperatura del congelador es muy baja, mientras que la del frigorífico es correcta.

- La temperatura del congelador está ajustada a un valor muy bajo. Ajuste la temperatura del congelador a un valor más elevado y compruebe.

La temperatura del frigorífico es muy baja, mientras que la del congelador es correcta.

- La temperatura del compartimento frigorífico está ajustada a un valor muy bajo. Ajuste la temperatura del frigorífico a un valor más elevado y compruebe.

Los alimentos depositados en los cajones del compartimento frigorífico se están congelando.

- La temperatura del compartimento frigorífico está ajustada a un valor muy bajo. Ajuste la temperatura del frigorífico a un valor más elevado y compruebe.

La temperatura del congelador o el frigorífico es muy alta.
<ul style="list-style-type: none"> • La temperatura del frigorífico está ajustada a un valor muy alto. El ajuste de la temperatura del frigorífico afecta a la temperatura del congelador. Cambie la temperatura del frigorífico o del congelador hasta que alcance un nivel suficiente. • Es posible que la puerta se haya quedado entreabierta. Cierre la puerta del todo. • Es posible que recientemente haya depositado grandes cantidades de alimentos en el frigorífico. Espere hasta que el frigorífico o el congelador alcance la temperatura deseada. • Es posible que el frigorífico haya sido enchufado recientemente. El enfriamiento completo del frigorífico lleva un tiempo debido a su tamaño.
Puede escucharse un sonido parecido al tic tac de un reloj saliendo del frigorífico.
<ul style="list-style-type: none"> • Este ruido procede de la electroválvula del frigorífico. La electroválvula garantiza el flujo de líquido refrigerante a través del compartimento, que puede ajustarse a temperaturas de enfriamiento o congelación así como llevar a cabo funciones de refrigeración. Esto es perfectamente normal y no es ninguna anomalía.
El nivel de ruidos propios del funcionamiento se incrementa cuando el frigorífico está en marcha.
<ul style="list-style-type: none"> • Las características de rendimiento del frigorífico pueden cambiar en función de las variaciones en la temperatura ambiente. Esto es perfectamente normal, no es ninguna avería.
Vibraciones o ruidos.
<ul style="list-style-type: none"> • El suelo no está nivelado ni es firme. El frigorífico oscila al moverlo lentamente. Compruebe que el suelo esté nivelado y sea firme y capaz de soportar el peso del frigorífico. • El ruido puede deberse a los elementos guardados en el frigorífico. Tales objetos deben retirarse de la parte superior del frigorífico.
Pueden oírse ruidos como si un líquido se derramara o se pulverizara.
<ul style="list-style-type: none"> • Los líquidos y gases fluyen de acuerdo con los principios de funcionamiento del frigorífico. Esto es perfectamente normal, no es ninguna avería.
Puede oírse un ruido parecido al viento.
<ul style="list-style-type: none"> • Se utilizan ventiladores con el fin de hacer que el frigorífico se enfríe con eficiencia. Esto es perfectamente normal, no es ninguna avería.
Condensación en las paredes interiores del frigorífico.
<ul style="list-style-type: none"> • El tiempo cálido y húmedo favorece la formación de hielo y la condensación. Esto es perfectamente normal, no es ninguna avería. • Las puertas están entreabiertas. Asegúrese de que las puertas estén completamente cerradas. • Es posible que las puertas se hayan estado abriendo con frecuencia o que se hayan dejado abiertas durante un periodo prolongado. Abra las puertas con menor frecuencia.

Hay humedad en el exterior del frigorífico o entre las puertas.
<ul style="list-style-type: none"> • Puede que haya humedad ambiental. Esto es perfectamente normal en climas húmedos. Cuando el grado de humedad descienda, la condensación desaparecerá.
Mal olor en el interior del frigorífico.
<ul style="list-style-type: none"> • El interior del frigorífico debe limpiarse. Limpie el interior del frigorífico con una esponja empapada en agua caliente o agua con gas. • Es posible que el olor provenga de algún recipiente o envoltorio. Utilice otro recipiente o materiales para envolver de una marca diferente.
La puerta (o puertas) no se cierra.
<ul style="list-style-type: none"> • Puede que los paquetes de alimentos depositados no dejen que las puertas se cierren. Recoloque los paquetes que estén obstruyendo la puerta. • Es probable que el frigorífico no esté en posición completamente vertical sobre el suelo y que oscile si se lo mueve ligeramente. Ajuste los tornillos de elevación. • El suelo no está nivelado o no es firme. Compruebe que el suelo esté nivelado y que sea capaz de soportar el peso del frigorífico.
Los cajones están atascados.
<ul style="list-style-type: none"> • Es posible que algún alimento toque el techo del cajón. Cambie la distribución de los alimentos en el cajón.

Gelieve eerst deze gebruiksaanwijzing te lezen!

Beste klant,

We hopen dat uw product, dat in een moderne fabriek werd geproduceerd en onder de meest nauwkeurige procedures voor kwaliteitscontrole werd gecontroleerd, u doeltreffend van dienst zal zijn.

Wij bevelen daarom aan dat u eerst zorgvuldig de volledige gebruiksaanwijzing van uw product leest voordat u het product gaat gebruiken. Bewaar de handleiding voor toekomstige raadpleging.

Deze gebruiksaanwijzing

- Helpt u uw toestel snel en veilig te gebruiken.
- Lees de gebruiksaanwijzing voordat u het product installeert en gebruikt.
- Volg de instructies, in het bijzonder die met betrekking tot veiligheid.
- Bewaar de gebruiksaanwijzing op een eenvoudig toegankelijke plaats aangezien u deze later nodig kunt hebben.
- Daarnaast dient u ook de andere documenten die bij uw product worden geleverd te lezen.

Let erop dat deze gebruiksaanwijzing ook voor andere modellen kan gelden.






Symbolen en hun beschrijvingen

Deze instructiehandleiding bevat de volgende symbolen:

 Belangrijke informatie of nuttige gebruikstips.

 Waarschuwing tegen gevaarlijke omstandigheden voor leven en eigendommen.

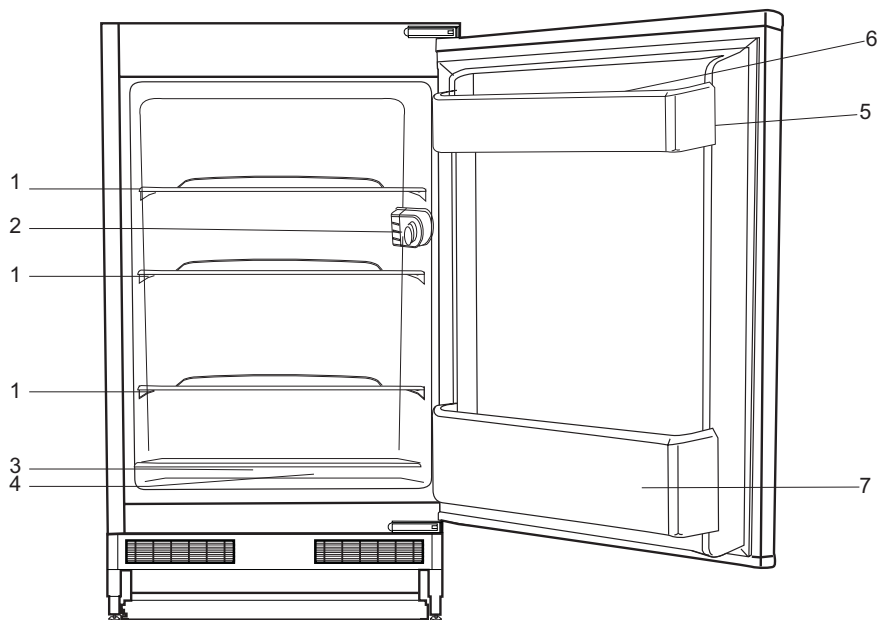
 Waarschuwing tegen elektrische spanning.

 INFORMATIE	
 	De informatie van het model zoals opgeslagen in de product-databank is toegankelijk op de onderstaande website. Zoek uw model identificatie (*) vermeld op het energielabel.
SUPPLIER'S NAME  A	MODEL IDENTIFIER (*)  A
	https://eprel.ec.europa.eu/

INHOUD

1 Uw koelkast	3	4 Voorbereiding	14
2 Belangrijke Veiligheidswaarschuwingen	4	5 Gebruik van uw koelkast	15
Bedoeld gebruik	4	De werkingstemperatuur instellen	15
Voor producten met een waterdispenser;	6	De werkingstemperatuur wordt geregeld via de temperatuursturing..	15
Kinderbeveiliging	6	Temperatuurmeting En -Regeling	15
Voldoet aan de WEEE-richtlijn en de richtlijnen voor afvoeren van het restproduct:	7	Uw product uitschakelen	16
Voldoet aan RoHS-richtlijn:	7	Ontdooien	16
Verpakkingsinformatie.....	7	6 Onderhoud en reiniging	17
HCA-waarschuwing.....	7	Bescherming van de plastic oppervlakken	17
Aanwijzingen ter besparing van energie	8	7 Aanbevolen oplossingen voor problemen	18
3 Installatie	9		
Aandachtspunten bij het opnieuw transporteren van uw koelkast	9		
Alvorens de inwerkstelling van uw koelkast.....	9		
Afvoeren van de verpakking.....	10		
Afvoeren van uw oude koelkast	10		
Plaatsing en installatie.....	10		
Het plaatsen van de koelkast onder het werkblad en het instellen van de pootjes.	11		
Het vervangen van de lamp	12		
De deuren omkeren	13		

1 Uw koelkast



1. Deurschappen
2. Lampje thermostaatdoos
3. Vlees, worst, gesneden vleeswaren, blikken.
4. Fruit, groenten, salades.
5. Tubes, kleine flessen en blikjes.
6. Eiervak
7. Dranken, grote flessen.

i De afbeeldingen in deze handleiding zijn schematisch en kunnen mogelijk niet exact overeenkomen met uw product. Indien het product dat u heeft aangekocht niet de gerelateerde onderdelen bevat dan zijn deze geldig voor andere modellen.

2 Belangrijke Veiligheidswaarschuwingen

Gelieve de volgende informatie goed te bestuderen. Niet-inachtneming van deze informatie kan verwondingen of materiële schade veroorzaken. In dat geval worden alle garanties en betrouwbaarheidsengagementen ongeldig.

De levensduur van de unit die u heeft aangekocht is 10 jaar. Dit is de periode dat u benodigde reserveonderdelen dient te bewaren om de unit te laten werken zoals beschreven.

Bedoeld gebruik

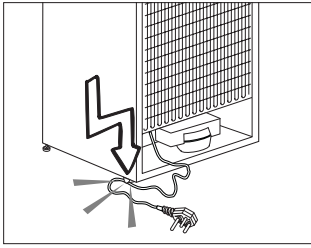
Dit product is bedoeld voor gebruik

- binnen en in afgesloten ruimtes zoals huizen;
- in afgesloten werkomgevingen zoals winkels en kantoren;
- in afgesloten verblijfplaatsen zoals boerenhoeves, hotels, pensions.
- Dit toestel mag niet buitenshuis worden gebruikt.

Algemene veiligheid

- Wanneer u het product wenst af te voeren, raden wij u aan de bevoegde onderhoudsdienst te raadplegen om de benodigde informatie en bevoegde instanties te leren kennen.
- Raadpleeg uw bevoegde onderhoudsdienst voor alle vragen en problemen met betrekking tot de koelkast. Voer geen ingrepen aan de koelkast uit en laat dit ook niet door iemand anders doen zonder de bevoegde onderhoudsdienst op de hoogte te stellen.
- Voor producten met een diepvriesvak; Eet geen ijs of ijsblokjes meteen nadat u deze uit het diepvriesvak heeft gehaald. (Dit kan bevriezing in uw mond veroorzaken.)
- Voor producten met een diepvriesvak; Plaats geen flessen of blikjes met vloeibare dranken in het diepvriesvak Deze zouden kunnen barsten.
- Raak ingevroren levensmiddelen niet met de hand aan; deze kunnen aan uw hand vastplakken.
- Trek de stekker van uw koelkast uit het stopcontact voordat u deze schoonmaakt of ontdooit.
- Bij het schoonmaken en ontdooien van de koelkast mogen geen stoom en stoomreinigers gebruikt worden. De stoom kan in contact komen met de elektrische onderdelen en kortsluiting of een elektrische schok veroorzaken.
- Gebruik geen onderdelen van uw koelkast zoals de deur als steun of opstapje.
- Gebruik geen elektrische apparaten binnen in de koelkast.
- Beschadig de onderdelen, waar de koelmoeistof circuleert, niet door boor- of snijgereedschap. De koelmoeistof kan naar buiten geblazen worden wanneer de gasleidingen van de verdamper, leidingverlengingen of oppervlaktecoatings worden doorboord en dit kan huidirritatie en oogletsel veroorzaken.
- Dek of blokkeer de ventilatieopeningen van uw koelkast met geen enkel materiaal.

- Elektrische toestellen mogen enkel door bevoegde personen worden hersteld. Reparaties die door onbevoegde personen worden uitgevoerd kunnen een risico voor de gebruiker opleveren.
- In geval van storing of tijdens onderhoud- of reparatiewerkzaamheden, sluit de stroomtoevoer van de koelkast af door de zekering uit te schroeven of de stekker van het apparaat uit te trekken.
- Bij het uittrekken van de stekker deze niet aan de kabel uittrekken.
- Plaats alcoholische dranken goed afgesloten en verticaal.
- Bewaar nooit spuitbussen met een ontvlambare of explosieve inhoud in de koelkast.
- Gebruik geen andere mechanische gereedschappen of andere middelen om het ontdooiproces te versnellen dan deze aangeraden door de fabrikant.
- Dit product is niet bestemd voor gebruik door personen met een fysieke, zintuiglijke of mentale stoornis of ongeschoolde of onervaren mensen (inclusief kinderen) tenzij deze worden bijgestaan door een persoon die verantwoordelijk is voor hun veiligheid of die hen dienovereenkomstig instructies geeft bij het gebruik van het product
- Gebruik geen beschadigde koelkast. Neem contact op met de dealer als u vragen heeft.
- Elektrische veiligheid van uw koelkast wordt alleen gegarandeerd wanneer het aardingssysteem in uw huis aan de normen voldoet.
- Blootstelling van het product aan regen, sneeuw, zon en wind is gevaarlijk met betrekking tot de elektrische veiligheid.
- Neem contact op met een bevoegde dienst wanneer de stroomkabel beschadigd is om zo gevaar te voorkomen.
- Steek tijdens installatie nooit de stekker van de koelkast in de wandcontactdoos. Er bestaat een kans op overlijden of serieus letsel.
- Deze koelkast is enkel bestemd voor het bewaren van voedsel. Hij mag niet voor andere doeleinden worden gebruikt.
- Het label met technische specificaties bevindt zich aan de linkerwand binnenin de koelkast.
- Sluit je koelkast nooit aan op energiebesparende systemen; deze kunnen de koelkast beschadigen.
- Als er een blauw licht op de koelkast schijnt, kijk er dan niet naar met optische gereedschappen.
- Wacht bij handmatig bediende koelkasten minstens 5 minuten met het aanzetten van de koelkast na stroomuitval.
- Deze gebruikershandleiding moet aan de nieuwe eigenaar van het toestel gegeven worden wanneer het toestel doorgegeven wordt.
- Vermijd schade aan de stroomkabel bij transport van de koelkasten. De kabel plooiën kan vuur veroorzaken. Plaats geen zware voorwerpen op de stroomkabel. Raak de stekker niet aan met natte handen wanneer deze in het stopcontact wordt geplaatst.



- Plaats de stekker van de koelkast niet in het stopcontact als dit stopcontact los is.
- Er mag geen water rechtstreeks op de binnen- of buitendelen van het toestel gespreid worden omwille van veiligheidsredenen.
- Sproei geen stoffen met ontvlambare gassen zoals propaangas dichtbij de koelkast om gevaar op vuur en ontploffing te voorkomen.
- Plaats geen containers gevuld met water op de koelkast, dit kan elektrische schokken of vuur veroorzaken.
- Overlaad je koelkast niet met overdadige hoeveelheden voedsel. Indien de koelkast overladen is, kan voedsel naar beneden vallen bij het openen en u kwetsen of de koelkast beschadigen. Plaats geen objecten op de koelkast; deze kunnen naar beneden vallen wanneer u de deur open of dicht doet.
- Producten die een nauwkeurige temperatuurregeling nodig hebben (vaccins, hittegevoelige medicatie, wetenschappelijke materialen, enz.) mogen niet in koelkast bewaard worden.
- De koelkast moet worden losgekoppeld indien deze langdurig niet wordt gebruikt. Een mogelijk probleem met de stroomkabel kan vuur veroorzaken.

- Het uiteinde van de stekker moet regelmatig worden gereinigd, anders kan dit vuur veroorzaken.
- Het uiteinde van de stekker moet regelmatig worden gereinigd met een droge doek, anders kan deze brand veroorzaken.
- De koelkast kan bewegen als de stelvoetjes niet juist op de vloer worden vastgezet. De stelvoetjes juist vastzetten op de vloer kan voorkomen dat de koelkast beweegt.
- Hef de koelkast niet aan het handvat bij verplaatsing. Anders breekt het.
- Als u het product naast een andere koelkast of diepvriezer plaatst, moet de afstand hiertussen minstens 8 cm zijn. Anders kunnen aaneensluitende zijwanden nat worden.

Voor producten met een waterdispenser;

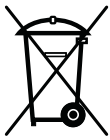
De waterleidingdruk dient minstens 1 bar te bedragen. De waterleidingdruk mag maximaal 8 bar te bedragen.

- Gebruik alleen drinkwater.

Kinderbeveiliging

- Indien de deur een slot heeft, moet de sleutel buiten het bereik van kinderen worden gehouden.
- Kinderen moeten onder toezicht staan om te voorkomen dat ze met het product knoeien.

Voldoet aan de WEEE-richtlijn en de richtlijnen voor afvoeren van het restproduct:



Dit product voldoet aan de EU-richtlijn WEEE (2012/19/EU). Dit product is voorzien van een classificatiesymbool voor afvalsortering van elektrische en elektronische

apparatuur (WEEE).

Dit product werd vervaardigd uit onderdelen en materialen van hoge kwaliteit die hergebruikt kunnen worden en geschikt zijn voor recycling. Gooi het restproduct aan het einde van zijn levensduur niet weg bij normaal huishoudelijk of ander afval. Breng het naar het verzamelpunt voor recycling van elektrische en elektronische apparatuur. Raadpleeg uw plaatselijke autoriteiten om te weten waar u deze verzamelpunten aantreft.

Voldoet aan RoHS-richtlijn:

Het door u aangekochte product voldoet aan de EU-richtlijn RoHS (2011/65/EU). Het bevat geen schadelijke en verboden materialen die in deze richtlijn zijn opgenomen.

Verpakkingsinformatie

De verpakkingsmaterialen van het product zijn vervaardigd uit recycleerbare materialen in overeenstemming met onze nationale milieunormen. Gooi het verpakkingsmateriaal niet weg met het huishoudelijk of ander afval. Breng het naar een verzamelpunt voor verpakkingsmateriaal dat is aangesteld door de lokale autoriteiten.

HCA-waarschuwing

Als het koelsysteem van uw product R600a bevat:

Dit gas is ontvlambaar. Zorg daarom tijdens gebruik en transport dat het koelsysteem en de leidingen niet beschadigd raken. In het geval van schade: houd uw product weg van mogelijke ontstekingsbronnen die kunnen veroorzaken dat het product vuur vat en ventileer de ruimte waarin de unit is geplaatst.

Negeer deze waarschuwing als het koelsysteem van uw product R134a bevat.

Het type gas dat in dit product wordt gebruikt staat vermeld op de typeplaat aan de linkerwand binnenin de koelkast.

Gooi het product nooit in vuur voor verwijdering.

Aanwijzingen ter besparing van energie

- Houd de deuren van uw koelkast niet lang open.
- Plaats geen warme levensmiddelen of dranken in de koelkast.
- Overlaad de koelkast niet zodat luchtcirculatie aan de binnenzijde niet geblokkeerd wordt.
- Plaats de koelkast niet in direct zonlicht of naast warmteafgevend apparaten zoals een oven, vaatwasser of radiator.
- Bewaar uw levensmiddelen in gesloten bakjes.
- Voor producten met een diepvriesvak; U kunt een maximale hoeveelheid voedsel in de diepvries bewaren wanneer u de schappen of lade uit de diepvries verwijdert. De waarde voor energieconsumptie van uw diepvries werd vastgesteld door verwijdering van de diepvries schappen of laden en onder de maximum hoeveelheid. Er bestaat geen risico bij het gebruik van een schap of lade volgens de vorm en grootte van het in te vriezen voedsel.
- Het ontdooien van ingevroren voedsel in het koelkastgedeelte voorziet in energiebesparing en behoud van de voedselkwaliteit.

3 Installatie

⚠ De fabrikant kan niet aansprakelijk worden gesteld indien de informatie van deze gebruiksaanwijzing niet in acht wordt genomen.

Aandachtspunten bij het opnieuw transporteren van uw koelkast

1. Voor transport dient de koelkast leeg en schoon te zijn.
2. In verband met schokken moeten de schappen, accessoires, groentelade enz. in uw koelkast met plakband vastgezet worden voordat de koelkast opnieuw wordt verpakt.
3. Verpakking moet worden vastgebonden met dikke tape en sterke touwen en de transportregels, gedrukt op de verpakking, moeten opgevolgd worden.

Vergeet niet...

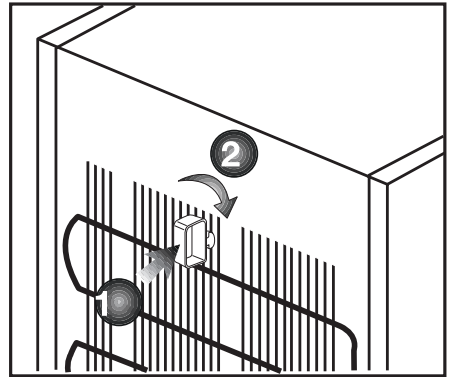
Ieder gerecycled materiaal is een essentiële bron voor de natuur en onze nationale bronnen.

Indien u een bijdrage wilt leveren aan recycling van verpakkingsmateriaal, kunt u meer informatie krijgen bij de milieu-instanties of plaatselijke autoriteiten.

Alvorens de inwerkstelling van uw koelkast

Alvorens u uw koelkast gaat gebruiken, controleer of:

1. De binnenzijde van de koelkast schoon is en de luchtcirculatie aan de achterzijde vrij kan plaatsvinden?
2. Maak de binnenkant van de koelkast schoon, zoals aanbevolen in het hoofdstuk "Onderhoud en reiniging".



3. Steek de stekker van de koelkast in het stopcontact. Wanneer de deur wordt geopend, zal het binnenlichtje aangaan.
4. U zult een geluid horen wanneer de compressor opstart. De vloeistof en de gassen die zich in het koelsysteem bevinden, zouden ook wat lawaai kunnen veroorzaken zelfs wanneer de compressor niet werkt. Dit is normaal.
5. De buitenkant van de koelkast kunnen warm aanvoelen. Dit is normaal. Deze oppervlakken zijn bedoeld om warm te worden om condensvorming te voorkomen.

Elektrische aansluiting

Sluit uw apparaat aan in een geaard stopcontact, beschermd door een zekering, met de juiste capaciteit.

Belangrijk:

- De aansluiting moet in naleving zijn met nationale voorschriften.
- De stekker van de stroomkabel moet na installatie eenvoudig bereikbaar zijn.
- De gespecificeerde spanning moet gelijk zijn aan uw netspanning.

- Verlengkabels en meerwegstekkers mogen voor aansluiting niet worden gebruikt.

⚠ Een beschadigde stroomkabel kabel moet door een gekwalificeerd elektricien worden vervangen.

⚠ Het product mag niet in werking worden gesteld voordat het gerepareerd is! Gevaar op een elektrische schok!

Afvoeren van de verpakking

De verpakkingsmaterialen kunnen gevaarlijk zijn voor kinderen. Houd het verpakkingsmateriaal buiten bereik van kinderen of voer deze af conform afvalinstructies. Gooi het materiaal niet weg bij het normale huishoudelijk afval.

De verpakking van uw koelkast is vervaardigd uit herbruikbare materialen.

Afvoeren van uw oude koelkast

Voer uw oude machine af zonder het milieu op enige wijze te schaden.

- U kunt uw bevoegde dealer of het afvalcentrum van uw gemeente raadplegen over het afvoeren van uw koelkast.

Voordat u uw koelkast afvoert, snijd de elektrische stekker af. Indien het apparaat is uitgevoerd met deursluitingen, dit slot dan onbruikbaar maken om kinderen tegen gevaar te beschermen.

Plaatsing en installatie

⚠ Als de toegangsdeur van de kamer waarin de koelkast wordt geïnstalleerd niet breed genoeg is voor de koelkast om erdoor te passen, bel dan de bevoegde dienst zodat deze de deuren

van uw koelkast kan verwijderen en de koelkast zijdelings door de deur kan.

1. Installeer uw koelkast op een plaats waar ze gemakkelijk kan worden gebruikt.
2. Houd uw koelkast uit de buurt van warmtebronnen, vochtige plaatsen en direct zonlicht.
3. Er moet geschikte luchtventilatie rond uw koelkast zijn om een efficiënte werking te verkrijgen. Als de koelkast in een uitsparing in de muur wordt geplaatst, moet er minstens 5 cm afstand zijn ten opzichte van het plafond en minstens 5 cm ten opzichte van de muur.
4. Als de vloer met een tapijt bedekt is, moet uw product op 2,5 cm van de vloer staan. Plaats uw koelkast op een vlak vloeroppervlak om schokken te vermijden.

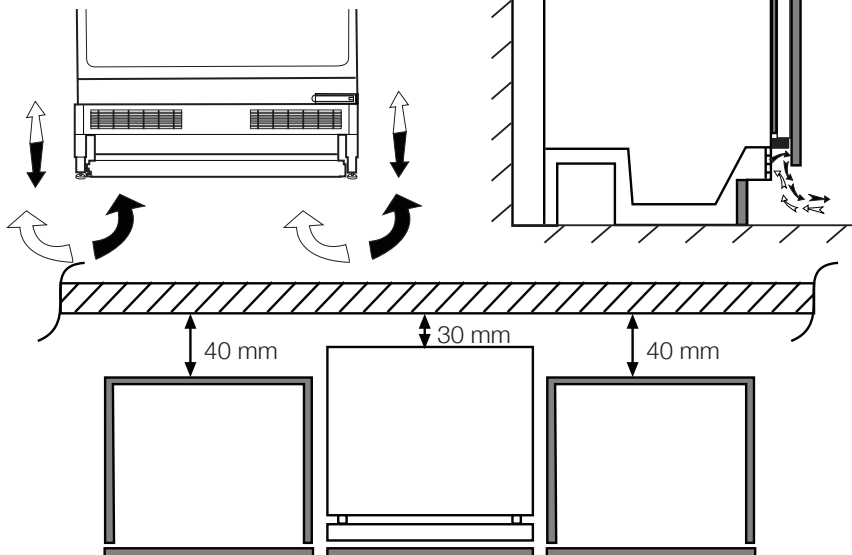
Het plaatsen van de koelkast onder het werkblad en het instellen van de pootjes.

Bij het plaatsen van uw koelkast dient de afstand tussen het product en de muur minstens 30 mm te zijn, zoals aangegeven in de afbeelding.

De luchtzuigkanalen mogen niet geblokkeerd worden zodat de prestatie van uw koelkast niet achteruit gaat. (140 cm²)

Wanneer uw koelkast niet waterpas staat;

U kunt de voorpoten van uw koelkast draaien om deze waterpas te zetten, zoals getoond in de afbeelding. De hoek van de poot gaat omlaag als u de poot in de richting van de zwarte pijl draait; deze gaat omhoog als u de poot in de omgekeerde richting draait. Het is makkelijker voor u indien u hulp kunt krijgen van iemand die de eenheid tijdens deze handeling een beetje kan optillen.



Het vervangen van de lamp

Om de lamp/led voor de binnenverlichting van uw koelkast te vervangen, bel uw bevoegde onderhoudsdienst.

De lamp of lampen voorzien in dit apparaat mogen niet worden gebruikt voor de verlichting van huishoudelijke ruimten. Het beoogde gebruik van deze lamp is de gebruiker te helpen etenswaren op veilige en comfortabele wijze in de koelkast/diepvriezer te plaatsen.

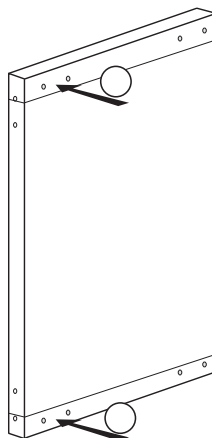
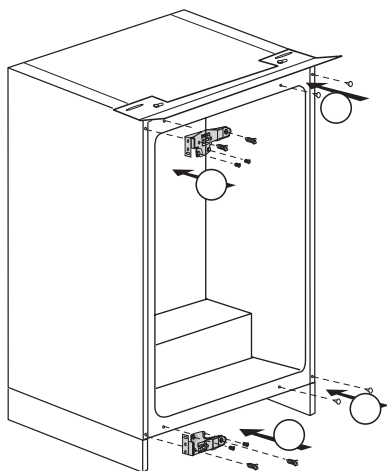
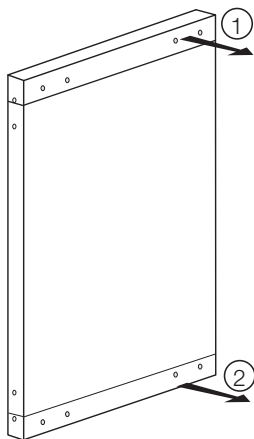
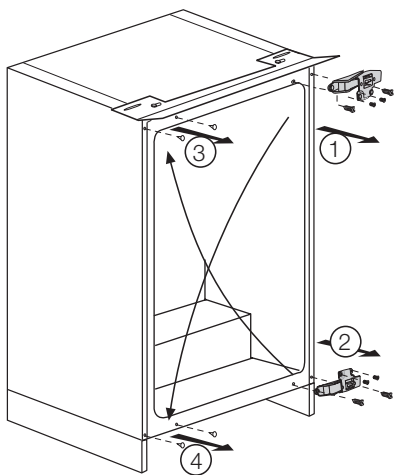
De lampen die in dit apparaat worden gebruikt moeten bestendig zijn tegen extreme fysieke omstandigheden, zoals temperaturen beneden de -20°C .

Dit product is uitgerust met een lichtbron van de "G"-energieklasse.

De lichtbron in dit product mag enkel worden vervangen door professionele reparateurs.

De deuren omkeren

Ga verder in numerieke volgorde.

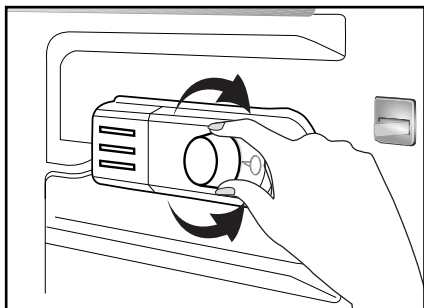


4 Voorbereiding

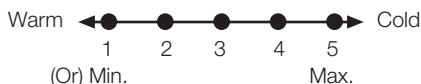
- Uw koelkast moet worden geïnstalleerd op minstens 30 cm afstand van warmtebronnen zoals kookplaten, centrale verwarming en kachels en op minstens 5 cm afstand van elektrische ovens. De koelkast mag niet in direct zonlicht worden geplaatst.
- De omgevingstemperatuur van de kamer waarin u de koelkast installeert dient minstens 10°C te zijn. In verband met efficiëntie wordt gebruik van uw koelkast in koudere omstandigheden niet aanbevolen.
- Controleer of de binnenzijde van uw koelkast volledig schoon is.
- Bij installatie van twee koelkasten naast elkaar, moeten de koelkasten op een afstand van minstens 2 cm van elkaar worden geplaatst.
- Wanneer u de koelkast voor de eerste keer in gebruik neemt, gelieve tijdens de eerste zes uur de volgende instructies in acht te houden.
 - De deur niet regelmatig openen.
 - Koelkast moet in bedrijf gesteld worden zonder levensmiddelen.
 - De stekker van de koelkast niet uittrekken. Indien zich een stroomstoring voordoet buiten uw macht, zie de waarschuwingen in het deel "Aanbevolen oplossingen voor problemen".
- Originele verpakking en schuimmaterialen moeten worden bewaard voor toekomstig transport of verhuizen.

5 Gebruik van uw koelkast

De werkingstemperatuur instellen



De werkingstemperatuur wordt geregeld via de temperatuursturing.



1 = Laagste koelinstelling

(Warmste instelling)

5 = Hoogste koelinstelling

(Koudste instelling)

(Of)

Min. = Laagste koelstand

(Warmste instelling)

Max. = Hoogste koelstand

(Koudste instelling)

De gemiddelde koelkasttemperatuur moet ongeveer +5 °C bedragen.

Kies een stand afhankelijk van de gewenste temperatuur.

Merk op dat er in het koelgebied verschillende temperaturen zijn.

Het koudste gedeelte bevindt zich onmiddellijk boven het groentevak.

De binnentemperatuur hangt ook af van de omgevingstemperatuur, hoe vaak de deur geopend wordt en de hoeveelheid voedsel die in de koelkast bewaard wordt.

Wanneer u de deur vaak opent, stijgt de temperatuur in de koelkast.

Het is daarom raadzaam om de deur na elk gebruik zo snel mogelijk te sluiten.

Temperatuurmeting En -Regeling

De temperatuur wordt geregeld door de thermostaat (zie schema). Instellingen kunnen worden geregeld van 1 tot 5, de koudste positie. Als het apparaat voor de eerste keer wordt ingeschakeld, moet de thermostaat zo worden gezet dat de gemiddelde temperatuur van de koelkast na 24 niet hoger is dan +5°C (+41°F).

Wij raden aan om de thermostaat halverwege de 1 en 5 in te stellen en te controleren of de gewenste temperatuur wordt verkregen d.w.z. richting 5 zal u een koudere temperatuur krijgen en vice versa. Bepaalde delen van de koelkast kunnen kouder of warmer zijn (bijvoorbeeld de groentelade kouder en bovenin de kast warmer). Dit is normaal.

Bij omgevingstemperaturen van boven de 25°C (77°F), zeker in de zomer, draait u de thermostaatknop naar 5. Bij omgevingstemperaturen van beneden de 25°C (77°F) draait u de thermostaatknop naar de positie halverwege.

Het frequent openen van de deur veroorzaakt hogere interne temperaturen, dus sluit de deur zo snel mogelijk na gebruik.

5

-

4

-

3

-

2

-

1

-

0

In het geval van tijdelijke ijsvorming in het koelkastgedeelte, verlaagt u de thermostaatinstelling naar 1, tegelijkertijd controlerend dat de temperatuur van de koelkast maximaal +5°C (41°F) bedraagt. Wanneer het ijs verdwijnt en het apparaat opnieuw begint met automatisch ontdooien, kunt u – indien gewenst – de thermostaatinstelling weer verhogen.

Ontdooien

De koelkast zonder vriesvak ontdooit automatisch. Het ontdooiwater loopt van de afvoerpipij via een opvangkanaal en wordt verdampt in een speciale bak (1) aan de achterkant van het toestel (zie diagram).

Tijdens het ontdooien kunnen zich waterdruppels vormen aan de achterkant van de koelkast zonder vriesvak, waar de verborgen verdampers zit. Sommige druppels kunnen op de voering blijven zitten en opnieuw aanvriezen wanneer het ontdooiproces is afgelopen. Gebruik geen puntige of scherpe voorwerpen, zoals messen of vorken, om de aangevroren druppels te verwijderen.

Als het dooiwater op een bepaald moment niet van het verzamelkanaal wegloopt, controleer dan of er geen etensresten zitten die de afvoerpipij blokkeren. De afvoerpipij kan worden schoongemaakt door de speciale plastic ontstopper die zich verderop de afvoerpipij bevindt (2).

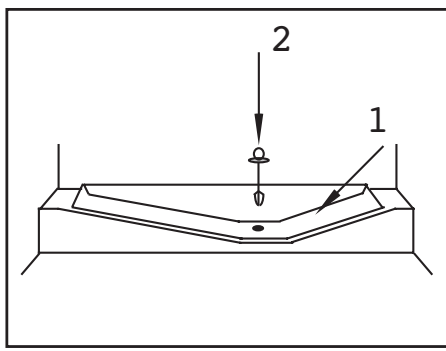
Uw product uitschakelen

Als uw thermostaat is uitgerust met de stand "0":

- Uw product stopt met werken wanneer u de thermostaatknop naar de stand "0" (nul) draait. Uw product zal pas weer starten wanneer u de thermostaatknop naar de stand "1" of naar een van de andere standen draait.

Als uw thermostaat is uitgerust met de stand "min":

- Trek de stekker van uw product uit het stopcontact om het uit te schakelen.



6 Onderhoud en reiniging

- ⚠ Gebruik nooit benzine, benzeen of gelijksoortige substanties voor het reinigingswerk.
- ⚠ Wij bevelen aan dat u de stekker uit het toestel trekt voordat u met reinigen begint.
- ⚠ Gebruik nooit scherpe voorwerpen, zeep, huishoudproducten, afwasmiddel of boenwas om te poetsen.
- ℹ Gebruik lauwwarm water om de kast van uw koelkast schoon te maken en wrijf deze droog.
- ℹ Gebruik een vochtige doek, uitgewrongen in een oplossing van één koffielepel natriumbicarbonaat voor 50 cl water, om de binnenkant schoon te maken en wrijf vervolgens droog.
- ⚠ Zorg ervoor dat er geen water in de lamp en andere elektrische onderdelen binnensijpelt.
- ⚠ Als uw koelkast voor een lange periode niet zal worden gebruikt, trek dan de stroomkabel uit, verwijder alle etenswaren, maak de koelkast schoon en laat de deur op een kier staan.
- ℹ Kijk de deurgrendels regelmatig na om u ervan te overtuigen dat ze schoon en vrij van etensresten zijn.
- ⚠ Om deurroosters te verwijderen, verwijder de inhoud en druk het deurrooster vervolgens eenvoudigweg naar boven vanaf de basis.

- ⚠ Gebruik nooit reinigingsmiddelen of water dat chloor bevat om de buitenkant en de verchroomde onderdelen van het product te reinigen. Chloor veroorzaakt corrosie op dergelijke metalen oppervlakken.

Bescherming van de plastic oppervlakken

- ℹ Plaats geen vloeibare olie of in olie bereide maatlijden in uw koelkast in onafgedichte bakjes. Deze kunnen de plastic oppervlakken van uw koelkast beschadigen. Mocht u olie morsen op de kunststof oppervlakken, reinig dit deel van het oppervlak dan direct met warm water en spoel af.

7 Aanbevolen oplossingen voor problemen

Controleer de volgende punten voordat u de onderhoudsdienst belt. Dit kan u tijd en geld besparen. Deze lijst omvat regelmatige klachten die niet voortkomen uit defect vakmanschap of materiaalgebruik. Het is mogelijk dat bepaalde functies die hier beschreven zijn niet tot uw product behoren.

De koelkast werkt niet.

- Zit de stekker van de koelkast goed in het stopcontact? Steek de stekker in het stopcontact.
- Is de zekering van het stopcontact waarop de koelkast is aangesloten of de hoofdzekering gesprongen? Controleer de zekering.

Condensvorming langs de wand van het koelgedeelte (MULTI ZONE, COOL CONTROL en FLEXI ZONE).

- Zeer koude omgevingsomstandigheden. Regelmatig openen en sluiten van de deur. Zeer vochtige omgevingsomstandigheden. Bewaren van levensmiddelen met vloeistof in open bakjes. De deur staat op een kier. Zet de thermostaat kouder.
- Zorg dat de deur minder lang open staat of dat deze minder vaak wordt geopend.
- Dek de eetwaar die in open bakjes wordt bewaard af met een daarvoor geschikt materiaal.
- Veeg condens af met een droge doek en controleer of condensvorming aanhoudt.

De compressor draait niet

- Thermische bescherming van de compressor kan springen gedurende plotselinge stroomuitval of afsluiting van de stroomtoevoer wanneer de druk van het koelmiddel in het koelsysteem van de koelkast niet in balans is. De koelkast gaat na ongeveer 6 minuten draaien. Neem contact op met de onderhoudsdienst wanneer uw koelkast na deze periode niet start.
- De koelkast zit in een ontdooicyclus. Dit is normaal voor een volledig automatisch ontdooiende koelkast. Ontdooicyclus vindt periodiek plaats.
- De stekker van uw koelkast steekt niet in het stopcontact. Zorg ervoor dat de stekker correct in het stopcontact is gestoken.
- Zijn de temperatuurinstellingen goed ingesteld?
- De stroom werd mogelijk onderbroken.

De koelkast werkt frequent of gedurende lange tijd.

- Uw nieuwe product kan breder zijn dan de vorige. Dit is normaal. Grote koelkasten werken gedurende langere tijd.
- De omgevingstemperatuur kan hoog zijn. Dit is normaal.
- De stekker van de koelkast kan onlangs ingestoken zijn of de koelkast kan zijn volgeladen met etenswaren. Het compleet afkoelen van de koelkast kan enkele uren langer in beslag nemen.
- Grote hoeveelheden warme levensmiddelen kunnen recentelijk in de koelkast zijn geplaatst. Warme levensmiddelen maken dat de koelkast langer werkt tot deze eetwaar de veilige bewaartemperatuur heeft bereikt.
- Deuren kunnen regelmatig geopend zijn of gedurende enige tijd op een kier hebben gestaan. De warme lucht die in de koelkast is binnengekomen maakt dat de koelkast langer werkt. Open de deuren minder vaak.
- De deur van het diepvries- of koelgedeelte kan op een kier hebben gestaan. Controleer of de deuren goed gesloten zijn.
- De koelkast is zeer koud ingesteld. Stel de koelkasttemperatuur hoger en wacht tot de temperatuur wordt bereikt.
- Deurafdichting van de koelkast of diepvriezer kan vuil, versleten, gebroken of niet goed geplaatst zijn. Maak de afdichting schoon of vervang deze. Een beschadigde/gebroken afdichting maakt dat de koelkast langer moet werken om de huidige temperatuur te handhaven.

Diepvriestemperatuur is erg laag terwijl de koelkasttemperatuur voldoende is.

- De diepvriestemperatuur is zeer koud ingesteld. Stel de diepvriezertemperatuur hoger in en controleer.

Koelkasttemperatuur is erg laag terwijl de diepvries temperatuur voldoende is.

- De koelkasttemperatuur is mogelijk zeer koud ingesteld. Stel de koelkasttemperatuur hoger in en controleer.

Etenswaren die in laden van het koelgedeelte worden bewaard, bevroren.

- De koelkasttemperatuur is mogelijk zeer koud ingesteld. Stel de koelkasttemperatuur hoger in en controleer.

Temperatuur in de koelkast of diepvriezer is zeer hoog.
<ul style="list-style-type: none"> • De koelkasttemperatuur is mogelijk zeer warm ingesteld. Koelkastinstelling is van invloed op de temperatuur van de diepvriezer. Verander de temperatuur van de koelkast of diepvriezer totdat de temperatuur van de koelkast of diepvriezer het gewenste niveau bereikt. • Deuren kunnen regelmatig geopend zijn of gedurende enige tijd op een kier hebben gestaan; doe ze minder vaak open. • De deur is mogelijk op een kier blijven staan; doe de deur volledig dicht. • Grote hoeveelheden warme levensmiddelen kunnen recentelijk in de koelkast zijn geplaatst. Wacht tot de koelkast of diepvriezer de gewenste temperatuur heeft bereikt. • De koelkast kan recentelijk ingeschakeld zijn. Het kost tijd om de koelkast volledig te laten afkoelen.
Het werkingsgeluid neemt toe wanneer de koelkast werkt.
<ul style="list-style-type: none"> • De werking van de koelkast kan veranderen als gevolg van wijzigingen in de omgevingstemperatuur. Dit is normaal en geen defect.
Vibratie of geluid.
<ul style="list-style-type: none"> • De vloer is niet gelijk of is zwak. De koelkast kantelt een beetje wanneer langzaam wordt bewogen. Zorg dat de vloer vlak vlak en sterk genoeg is om de koelkast te dragen. • Het geluid kan worden veroorzaakt door voorwerpen die op de koelkast zijn geplaatst. Voorwerpen bovenop de koelkast moeten worden verwijderd.
Een geluid van morsende of sprayende vloeistof komt uit de koelkast.
<ul style="list-style-type: none"> • Vloeistof- en gasstromen vinden plaats conform de werkingsprincipes van uw koelkast. Dit is normaal en geen defect.
Een geluid van wind die blaast.
<ul style="list-style-type: none"> • Er worden ventilatoren gebruikt om de koelkast te koelen. Dit is normaal en geen defect.
Condens op de binnenwanden van de koelkast.
<ul style="list-style-type: none"> • Met warm en vochtig weer neemt ijs- en condensvorming toe. Dit is normaal en geen defect. • De deuren kunnen op een kier hebben gestaan, zorg ervoor dat de deuren volledig gesloten zijn. • Deuren kunnen regelmatig geopend zijn of gedurende enige tijd op een kier hebben gestaan; doe ze minder vaak open.
Vocht aan de buitenkant van de koelkast of tussen de deuren.
<ul style="list-style-type: none"> • De lucht is mogelijk vochtig; dit is vrij normaal bij vochtig weer. Wanneer de vochtigheid minder wordt, zal de condens verdwijnen.

Slechte geur binnenin de koelkast.

- De binnenkant van de koelkast moet gereinigd worden. Maak de binnenkant van de koelkast schoon met een spons met lauw of sodawater.
- Sommige bakjes of verpakkingsmaterialen kunnen de geur veroorzaken. Gebruik een ander bakje of ander soort verpakkingsmateriaal.

De deur sluit niet.

- Het kan zijn dat voedselpakketjes veroorzaken dat de deur niet sluit. Verplaats de pakketjes die de deur belemmeren.
- De koelkast staat niet volledig waterpas op de vloer en wiebelt wanneer ze lichtjes wordt verplaatst. Stel de hoogteschroeven anders in.
- De vloer is niet gelijk of stevig. Zorg dat de vloer vlak is en de koelkast kan dragen.

Groenteladen zitten vast.

- De levensmiddelen kunnen de bovenzijde van de lade raken. Herschik de levensmiddelen in de lade.

Kundendienst

Führen Sie auf keinen Fall Arbeiten, vor allem an den elektrischen Teilen des Gerätes, selbst aus.

Zuständige TEKA - Kundendienstadresse:

DEUTSCHLAND

EGS GmbH

Dieselstrasse 1

33397 Rietberg / DEUTSCHLAND

Kundentelefon für Deutschland: 02944 - 971 675 0

Telefax: 02944 - 971 677

E-Mail: tdv@egs-gmbh.de

Internet: www.egs-gmbh.de

Bitte geben Sie unbedingt an:

- Vollständige Anschrift und Telefon Nr.**
- Gerätetyp und Seriennummer.**
(Ist auf dem Rating Label zu sehen)
- Fehlerbeschreibung.**

TEKA



User Manual

TKI3 145 D EU
RSL 41150 BU EU

PT
IT
EL
PL
AR

www.teka.com

Por favor, leia primeiro este manual!

Caro cliente,

Esperamos que o seu produto, que foi produzido em modernas instalações e testado através de rigorosos controlos de qualidade, ofereça-lhe um serviço efectivo.

Para isso, recomendamos que leia cuidadosa e inteiramente o manual do seu produto antes de utilizá-lo e guarde-o para futuras consultas.

Este manual

- Ajudá-lo-á a utilizar o seu equipamento de forma rápida e segura.
- Leia o manual antes de instalar e operar o seu equipamento.
- Siga as instruções, especialmente as relativas à segurança.
- Guarde o manual num local acessível, já que poderá precisar dele mais tarde.
- Além disso, leia também os outros documentos fornecidos com o seu produto.

Observe que este manual também pode ser válido para outros modelos.






Os símbolos e as suas descrições

Este manual de instruções contém os seguintes símbolos:

 Informações importantes ou dicas úteis de utilização.

 Aviso sobre as condições de risco para a vida e a propriedade.

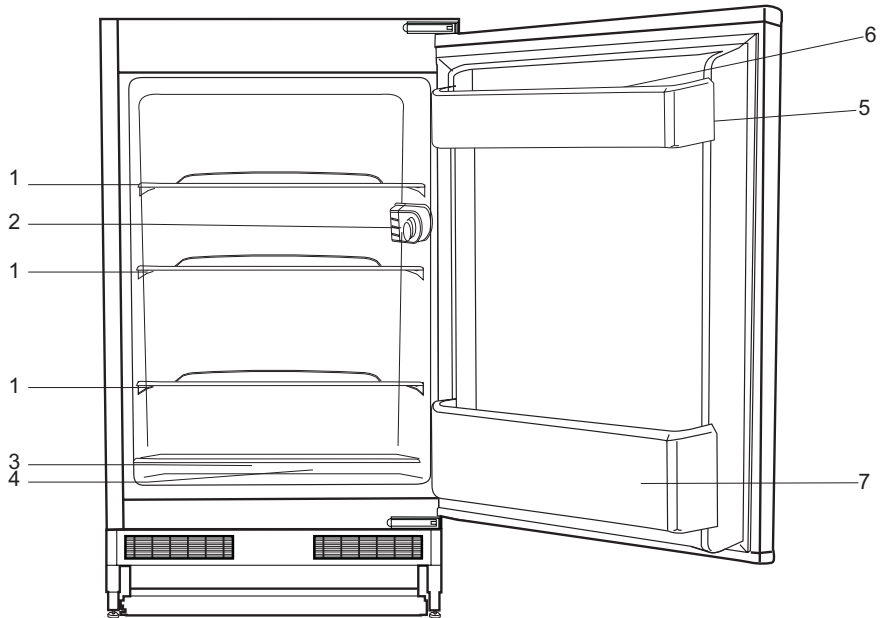
 Aviso sobre a voltagem eléctrica.

 INFORMAÇÃO	
	
SUPPLIER'S NAME	MODEL IDENTIFIER (*)
	
A informação do modelo conforme memorizada na base de dados do produto pode ser acedida entrando no seguinte sítio web e através da busca do identificador do seu modelo (*) que se encontra na etiqueta de classificação energética.	
https://eprel.ec.europa.eu/	

CONTEÚDO

1 O seu frigorífico	3	4 Preparação	14
2 Avisos importantes de segurança	4	5 Utilizar o seu frigorífico	15
Usó pretendido.....	4	Ajuste da temperatura de funcionamento.....	15
Para produtos com um dispensador de água;	6	A temperatura de funcionamento é regulada pelo respectivo controlo. ...	15
Segurança com crianças	6	Ajuste E Controlo Da Temperatura...	15
Conformidade com a Directiva WEEE e Eliminação de Resíduos:	7	Para o seu produto.....	16
Cumprimento com a Directiva RoHS:	7	Descongelação.....	16
Informação sobre a embalagem	7	6 Manutenção e limpeza	17
Aviso HCA.....	7	Protecção das superfícies plásticas	17
O que se pode fazer para economizar energia	7	7 Soluções recomendadas para os problemas	18
3 Instalação	9		
Pontos a serem considerados ao transportar novamente o seu frigorífico.....	9		
Antes de funcionar o seu frigorífico	9		
Eliminação da embalagem.....	10		
Eliminação do seu frigorífico velho ...	10		
Colocação e instalação	10		
Colocação do frigorífico no lugar e ajuste dos pés.....	11		
Substituir a lâmpada de iluminação	12		
Inverter as portas.....	13		

1 O seu frigorífico



1. Prateleiras da estrutura
2. Caixa do termostato e da lâmpada
3. Carne, salsichas, frios diversos, enlatados.
4. Frutas, vegetais, saladas.
5. Tubos, pequenas garrafas e latas.
6. Porta-ovos
7. Bebidas, garrafas grandes.

f As figuras neste manual são esquemáticas e podem não corresponder exactamente ao seu produto. Se o produto que adquiriu não possui as partes relacionadas é porque as mesmas são válidas para outros modelos.

2 Avisos importantes de segurança

Por favor, reveja as informações seguintes. A não-observância destas informações pode causar ferimentos ou danos ao material. Caso contrário, todas as garantias e compromissos de fiabilidade tornar-se-ão inválidos.

A vida útil da unidade que adquiriu é de 10 anos. Este é o período para manter as peças de reposição exigidas para a unidade a funcionarem conforme descrito.

Uso pretendido

Este produto está concebido para ser usado

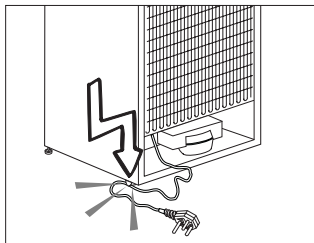
- áreas internas e fechadas como casas;
- em ambientes de trabalho fechados, como lojas e escritórios;
- em áreas de hospedagem fechadas, como casas rurais, hotéis, pensões.
- Este produto não deve ser usado em exteriores.

Segurança geral

- Quando quiser eliminar/desfazer-se do produto, recomendamos que consulte o serviço de assistência e os órgãos autorizados para obter mais informações.
- Consulte o seu serviço de assistência autorizado para todas as questões e problemas relativos ao frigorífico. Não tente reparar e nem permita que ninguém o faça sem notificar os serviços de assistência autorizados.
- Para produtos com um compartimento de congelador; Não coma cones de gelados e cubos de gelo imediatamente após retirá-los do compartimento do congelador! (Isto pode provocar queimaduras de frio na sua boca).
- Para produtos com compartimento de congelador; Não coloque bebidas líquidas enlatadas ou engarrafadas no compartimento do congelador. Caso contrário, podem rebentar.
- Não toque nos alimentos congelados; podem ficar presos à sua mão.
- Desligue o seu frigorífico da tomada antes da limpeza ou descongelação.
- O vapor e materiais de limpeza vaporizados nunca deverão ser utilizados nos processos de limpeza e descongelação do seu frigorífico. Em tais casos, o vapor poderá entrar em contacto com as partes eléctricas e provocar curto-circuito ou choque eléctrico.
- Nunca use as partes do seu frigorífico, tal como a porta, como meios de apoio ou degrau.
- Não utilize dispositivos eléctricos dentro do frigorífico.
- Não danifique as partes por onde circula a refrigeração, com ferramentas perfurantes ou cortantes. O refrigerante que pode explodir quando os canais de gás do evaporador, as extensões do tubo ou os revestimentos da superfície são perfurados, causa irritações na pele ou ferimentos nos olhos.

- Não cubra ou bloqueie os orifícios de ventilação do seu frigorífico com nenhum tipo de material.
- Os dispositivos eléctricos só devem ser reparados por pessoas autorizadas. As reparações realizadas por pessoas incompetentes causam riscos ao utilizador.
- Em caso de qualquer falha quer durante uma manutenção ou num trabalho de reparação, desligue a alimentação eléctrica do seu frigorífico, desligando o fusível correspondente ou retirando a ficha da tomada.
- Não puxe pelo cabo quando for retirar a ficha da tomada.
- Coloque as bebidas com teor alcoólico mais elevado bem fechadas e na vertical.
- Nunca guarde latas de aerossol inflamáveis e substâncias explosivas no frigorífico.
- Não utilize dispositivos mecânicos ou outros para acelerar o processo de descongelação. Siga apenas as instruções recomendadas pelo fabricante.
- Este produto não se destina a ser usado por pessoas com incapacidades físicas, sensoriais ou mentais ou sem conhecimento ou experiência (incluindo crianças), a menos que sejam supervisionadas por alguém responsável pela sua segurança ou que as instrua sobre o uso do produto.
- Não utilize um frigorífico avariado. Consulte o agente autorizado se tiver qualquer questão.
- A segurança eléctrica do seu frigorífico apenas poderá ser garantida se o sistema de ligação à terra da sua casa estiver em conformidade com as normas.
- A exposição do produto à chuva, neve, sol e vento é perigosa no que toca à segurança eléctrica.
- Para evitar qualquer perigo, contacte o serviço autorizado se o cabo eléctrico estiver danificado.
- Nunca ligue o frigorífico à tomada de parede durante a instalação. Caso contrário, poderá ocorrer perigo de morte ou ferimentos graves.
- Este frigorífico foi concebido unicamente para guardar alimentos. Não deverá ser utilizado para quaisquer outros fins.
- A etiqueta das especificações técnicas está localizada na parede esquerda no interior do frigorífico.
- Nunca ligue o seu frigorífico a sistemas de poupança de electricidade, pois podem danificá-lo.
- Se o frigorífico possuir luz azul, não olhe para ela com dispositivos ópticos.
- Para frigoríficos controlados manualmente, aguarde pelo menos 5 minutos para voltar a ligá-lo após uma falha eléctrica.
- Este manual de instruções deverá ser entregue ao novo proprietário do produto quando for dado/vendido a outros.
- Evite causar danos ao cabo eléctrico quando transportar o frigorífico. Dobrar o cabo pode causar incêndio. Nunca pouse objectos pesados no cabo eléctrico. Não toque na ficha

com as mãos molhadas quando a introduz na tomada para ligar o produto.



- Não ligue o frigorífico à tomada, se a tomada de parede estiver solta.
- Não deverá ser vaporizado directamente nas partes interiores ou interiores do produto devido a razões de segurança.
- Para evitar risco de incêndio e explosão, não vaporize substâncias que contenham gases inflamáveis, tais como gás propano, etc., próximo ao frigorífico.
- Não coloque recipientes que contenham água sobre o topo do frigorífico, visto que tal poderá resultar em choque eléctrico ou incêndio.
- Não sobrecarregue o frigorífico com excesso de alimentos. Se sobrecarregado, os alimentos podem cair e feri-lo a si e danificar o frigorífico ao abrir a porta. Nunca coloque objectos no topo do frigorífico, visto que estes podem cair quando se abre ou fecha a porta do frigorífico.
- Como precisam de um controlo de temperatura exacta, as vacinas, medicamentos sensíveis ao aquecimento, materiais científicos, etc., não deverão ser guardados no frigorífico.

- Se não for utilizado por um longo tempo, o frigorífico deve ser desligado da tomada. Qualquer problema possível no cabo eléctrico poderá resultar em incêndio.
- A extremidade da ficha eléctrica deverá ser limpa regularmente, caso contrário, poderá provocar incêndio.
- A extremidade da ficha eléctrica deverá ser limpa regularmente com um pano seco; caso contrário, poderá provocar incêndio.
- O frigorífico pode mover-se se os pés não estiverem devidamente fixados ao piso. O ajuste seguro e apropriado dos pés ao piso pode impedir o frigorífico se mova.
- Ao transportar o frigorífico, não segure pelo puxador da porta. Caso contrário, pode quebrar.
- Se posicionar o seu frigorífico próximo de outro frigorífico ou arca frigorífica, a distância entre os dispositivos deve ser de pelo menos 8 cm. Caso contrário, as paredes laterais adjacentes podem humedecer.

Para produtos com um dispensador de água;

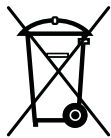
A pressão da conduta de água deve ser de no mínimo 1 bar. A pressão da conduta de água deve ser de no máximo 8 bar.

- Use apenas água potável

Segurança com crianças

- Se a porta possuir uma fechadura, a chave deverá ser mantida afastada do alcance das crianças.
- As crianças devem ser vigiadas para impedir que brinquem com o produto.

Conformidade com a Directiva WEEE e Eliminação de Resíduos:



Este produto está em conformidade com a Directiva WEEE da UE (2012/19/EU). Este produto porta um símbolo de classificação para resíduos de equipamentos eléctricos e electrónicos (WEEE).

Este produto foi fabricado com materiais e peças de alta qualidade, que podem ser reutilizados e reciclados. No fim da sua vida útil, não elimine o resíduo com o lixo doméstico normal ou outro lixo. Leve-o a um centro de recolha para reciclagem de equipamentos eléctricos e electrónicos. Consulte as autoridades locais para se informar sobre estes centros de recolha.

Cumprimento com a Directiva RoHS:

O produto que adquiriu está em conformidade com a Directiva RoHS da UE (2011/65/EU). Ele não contém materiais perigosos e proibidos especificados na Directiva.

Informação sobre a embalagem

Os materiais de embalagem do produto são fabricados a partir de materiais recicláveis, de acordo com as nossas Normas Ambientais Nacionais. Não elimine os materiais de embalagem junto com o lixo doméstico ou outro tipo de lixo. Encaminhe-os a um ponto de recolha de materiais de embalagem indicado pelas autoridades locais.

Aviso HCA

O sistema de arrefecimento do seu produto contém R600a:

Este gás é inflamável. Por isso, tenha cuidado em não danificar o sistema de arrefecimento e a tubagem durante o uso e transporte. No caso de algum dano, mantenha o seu produto longe de potenciais fontes de fogo que possam fazer com que o produto de incendeie e ventile o compartimento no qual a unidade está colocada.

Ignore este aviso se o sistema de arrefecimento do seu produto contiver R134a:

O tipo de gás usado no produto está indicado na placa de características localizada na parede esquerda no interior do frigorífico.

Nunca elimine o seu produto no fogo.

O que se pode fazer para economizar energia

- Não deixe as portas do seu frigorífico abertas durante muito tempo.
- Não coloque alimentos ou bebidas quentes no seu frigorífico.
- Não sobrecarregue o seu frigorífico para que a circulação do ar no interior não seja dificultada.
- Não instale o seu frigorífico sob a luz solar directa ou próximo de aparelhos que emitem calor tais como fornos, máquinas de lavar louça ou radiadores.
- Tenha cuidado em manter os seus alimentos em recipientes fechados.

- Para produtos com um compartimento de congelador; Pode armazenar uma quantidade máxima de alimentos no congelador se remover a prateleira ou gaveta do congelador. O valor do consumo de energia indicado no seu frigorífico foi determinado removendo a prateleira do congelador ou a gaveta e com carga máxima. Não existe qualquer risco em utilizar uma prateleira ou gaveta de acordo com as formas e tamanhos dos alimentos a serem congelados.
- Descongelar os alimentos congelados no compartimento do frigorífico poupará energia e preservará a qualidade dos alimentos.

3 Instalação

⚠ Por favor, lembre-se de que o fabricante não pode ser responsabilizado se não forem observadas as informações fornecidas no manual de instruções.

Pontos a serem considerados ao transportar novamente o seu frigorífico

1. O seu frigorífico deve ser esvaziado e limpo antes de ser transportado.
2. As prateleiras, acessórios, gaveta para frutas e legumes, etc. do seu frigorífico devem ser firmemente presos com fita adesiva, devido aos solavancos antes de voltar a empacotá-lo.
3. A embalagem deve ser amarrada com fitas grossas e cordas fortes e devem ser seguidas as normas de transporte indicadas na mesma.

Não se esqueça...

Todo material reciclado é uma fonte indispensável para a natureza e para os nossos recursos nacionais.

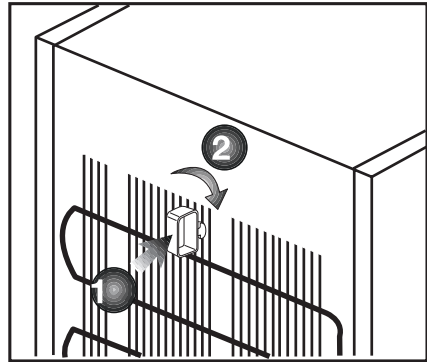
Se quiser contribuir para a reciclagem dos materiais da embalagem, pode obter mais informações nos organismos relativos ao ambiente ou junto das autoridades locais.

Antes de funcionar o seu frigorífico

Antes de iniciar a utilização do seu frigorífico, verifique o seguinte:

1. O interior do frigorífico está seco e o ar pode circular livremente na sua parte traseira?

2. Introduza os 2 calços plásticos na ventilação traseira, conforme mostrado na figura seguinte. Os calços plásticos proporcionarão a distância necessária entre o seu frigorífico e a parede, permitindo assim a livre circulação do ar.



3. Limpe o interior do frigorífico conforme recomendado na secção “Manutenção e limpeza”.
4. Ligue o frigorífico à tomada eléctrica. A luz interior acender-se-á quando a porta do frigorífico for aberta.
5. Ouvirá um ruído quando o compressor começar a trabalhar. O líquido e os gases no interior do sistema de refrigeração também podem fazer algum ruído, mesmo que o compressor não esteja a funcionar, o que é perfeitamente normal.
6. As arestas da frente do frigorífico podem ficar quentes. Isto é normal. Estas arestas são projectadas para ficarem quentes, a fim de evitar a condensação.

Ligação eléctrica

Ligue o seu produto a uma tomada de terra, que esteja protegida por um fusível com a capacidade apropriada.

Importante:

- A ligação deve estar em concordância com os regulamentos nacionais.
- A ficha do cabo de alimentação deve estar facilmente acessível após a instalação.
- A voltagem especificada deve ser igual à sua voltagem eléctrica.
- Não devem ser usados cabos de extensão e fichas multiusos para a ligação.

⚠ Um cabo de alimentação danificado deve ser substituído por um electricista qualificado.

⚠ O produto não deve ser utilizado antes de ser reparado! Há risco de choque eléctrico!

Eliminação da embalagem

Os materiais de embalagem podem ser perigosos para as crianças. Guarde os materiais da embalagem fora do alcance das crianças ou elimine-os, classificando-os de acordo com as instruções sobre o lixo. Não os elimine juntamente com o lixo doméstico normal.

A embalagem do seu frigorífico é produzida com materiais recicláveis.

Eliminação do seu frigorífico velho

Elimine o seu frigorífico velho sem causar qualquer perigo ao meio ambiente.

- Pode consultar o seu revendedor autorizado ou o centro de recolha do lixo do seu município a respeito da eliminação do seu frigorífico.

Antes de se desfazer do seu frigorífico, corte a ficha eléctrica e, se houver trincos nas portas, deixe-os inutilizados, a fim de proteger as crianças contra qualquer perigo.

Colocação e instalação

⚠ Se a porta de entrada do compartimento onde o frigorífico será instalado não for o suficientemente larga para que ele passe, chame o serviço de assistência autorizado para que possam remover as portas do seu frigorífico e passá-lo de forma inclinada através da porta.

1. Instale o seu frigorífico num local que permita fácil acesso.
2. Mantenha o seu frigorífico longe das fontes de calor, lugares húmidos e luz solar directa.
3. Deve existir uma circulação de ar adequada à volta do seu frigorífico, para que obtenha um funcionamento eficiente. Se o frigorífico for colocado numa reentrância da parede, deve haver uma distância mínima de 5cm do tecto e, pelo menos, 5 cm da parede. Se o piso for coberto por alcatifa, o seu produto deve ter uma elevação de 2,5 cm do chão.
4. Coloque o seu frigorífico num pavimento uniforme para evitar solavancos.

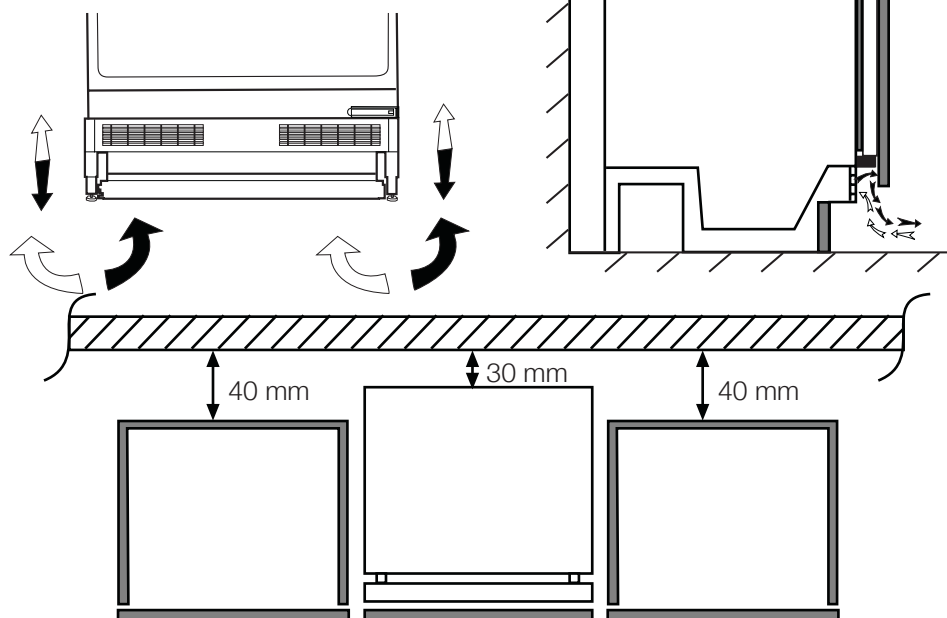
Colocação do frigorífico no lugar e ajuste dos pés

Ao colocar o seu frigorífico, a distância entre o produto e a parede deve ser no mínimo de 30 mm, conforme mostrado na figura.

Os canais de sucção do ar não devem estar bloqueados para que o desempenho do seu frigorífico não diminua. (140 cm²)

Se o seu frigorífico estiver instável;

Pode rodar os pés frontais do seu frigorífico, conforme mostrado na figura e deixá-lo equilibrado. O canto do pé baixa quando o pé é rodado na direcção da seta preta; eleva-se quando o pé é rodado na direcção contrária. Será mais fácil para si se tiver a ajuda de alguém para erguer um pouco a unidade durante este processo.



Substituir a lâmpada de iluminação

Para substituir a lâmpada utilizada para a iluminação do seu frigorífico, por favor chame o seu Serviço de Assistência Autorizado.

A(s) lâmpada(s) usada(s) neste aparelho não é ou não são adequada(s) para a iluminação do espaço. A finalidade desta lâmpada é auxiliar o utilizador a colocar produtos alimentares no frigorífico/congelador, de uma forma confortável e segura.

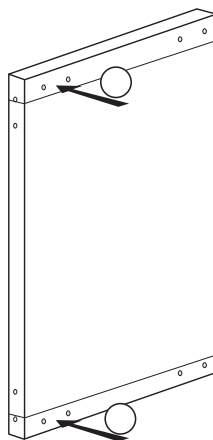
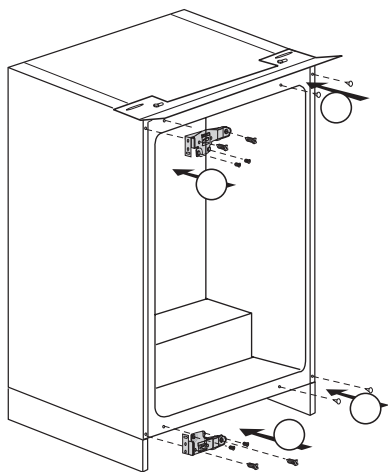
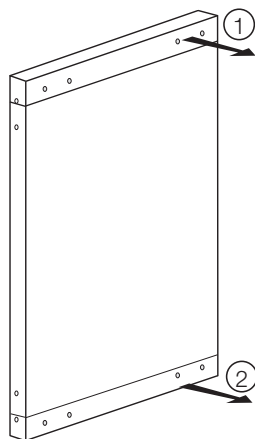
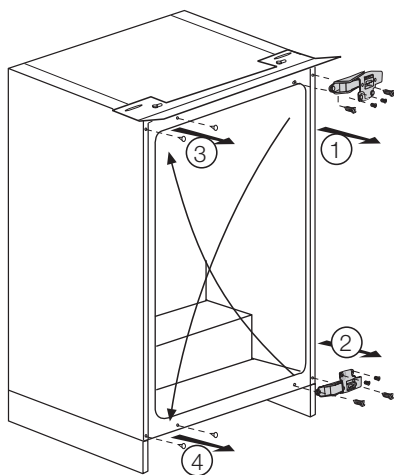
As lâmpadas usadas neste aparelho têm de suportar condições físicas extremas, tais como temperaturas abaixo de -20°C.

Este produto está equipado com uma fonte de iluminação da classe energética "G"

A fonte de iluminação neste produto deve somente ser substituída por reparadores profissionais.

Inverter as portas

Proceda em ordem numérica

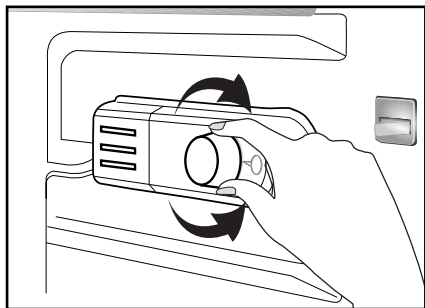


4 Preparação

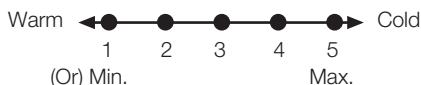
- O seu frigorífico deverá ser instalado a uma distância mínima de 30 cm de quaisquer fontes de calor, tais como placas, fornos, aquecimento central e fogões e de 5 cm de fornos eléctricos e não deverá ficar exposto directamente à luz solar.
- A temperatura ambiente do compartimento onde está instalado o seu frigorífico não deve ser inferior a 10 °C. Utilizar o seu frigorífico em condições de temperatura mais baixas não é recomendado em atenção à sua eficiência.
- Certifique-se de que o interior do seu frigorífico esteja completamente limpo.
- Se forem instalados dois frigoríficos lado a lado, deverá existir uma distância mínima de 2 cm entre eles.
- Quando utilizar o seu frigorífico pela primeira vez, por favor, observe as seguintes instruções durante as seis horas iniciais.
- A porta não deverá ser aberta frequentemente.
- Deve começar a funcionar vazio, sem alimentos no interior.
- Não retire a ficha da tomada do seu frigorífico. Se houver uma falha de energia inesperada, por favor, consulte os avisos na secção “Soluções recomendadas para os problemas”.
- A embalagem original e os materiais de esponja deverão ser guardados para transportes ou deslocações futuras.

5 Utilizar o seu frigorífico

Ajuste da temperatura de funcionamento



A temperatura de funcionamento é regulada pelo respectivo controlo.



1 = Definição de arrefecimento mais baixa (Definição mais quente)

5 = Definição de arrefecimento mais elevada (Definição mais fria)

(Ou)

Mín. = Definição de arrefecimento mais baixa

(Definição mais quente)

Máx. = Definição de arrefecimento mais elevada

(Definição mais fria)

A temperatura média dentro do frigorífico deve ser cerca de +5°C.

Escolha a definição de acordo com a temperatura pretendida.

Note que existem temperaturas diferentes na área de arrefecimento.

A área mais fria está imediatamente acima do compartimento para vegetais.

A temperatura inferior também depende da temperatura ambiente, da frequência com que a porta é aberta e da quantidade de alimentos mantidos no interior do equipamento.

A abertura frequente da porta faz subir a temperatura inferior.

Assim, recomendamos o fecho da porta o mais rapidamente possível após a utilização.

Ajuste E Controlo Da Temperatura

As temperaturas de funcionamento são controladas pelo termóstato (ver diagrama). As definições podem ser feitas de 1 até 5, a posição mais fria. Quando o equipamento é ligado pela primeira vez, o termóstato deve estar ajustado para que, após 24 horas, a temperatura média do frigorífico não seja superior a +5°C (+41 °F).

Recomendamos que defina o termóstato num ponto intermédio entre a definição 1 e 5 e monitorize para obter a temperatura desejada, ou seja, em direcção a 5 obterá a temperatura mais fria do refrigerador e vice-versa. Algumas secções do frigorífico podem estar mais frias ou mais quentes (tal como a gaveta das saladas e a parte superior do frigorífico), o que é perfeitamente normal.

Em temperaturas ambiente superiores a 25°C (77°F), sobretudo no Verão, rode o botão do termóstato em direcção a 5. Em temperaturas ambiente inferiores a 25°C (77°F), rode o botão do termóstato para a posição intermédia.

5

A abertura frequente da porta provoca o aumento da temperatura interior, por isso recomendamos que a feche logo após a utilização.

4

No caso de acúmulo temporário de gelo no compartimento do refrigerador, reduza a definição do termostato para 1, controlando ao mesmo tempo que a temperatura do refrigerador seja no máximo de 5°C (41° F). Uma vez que a acumulação de gelo desapareça, o equipamento recomeça a descongelação automática habitual; depois pode aumentar a definição do

3

2

1

0

termostato, se necessário.

Para o seu produto

Se o seu termostato estiver equipado com a posição "0":

- O seu produto parará o funcionamento ao rodar o botão do termostato para a posição "0" (zero). O seu produto não iniciará a menos que rode novamente o botão do termostato para a posição "1" ou uma das outras posições.

Se o seu termostato estiver equipado com a posição "min":

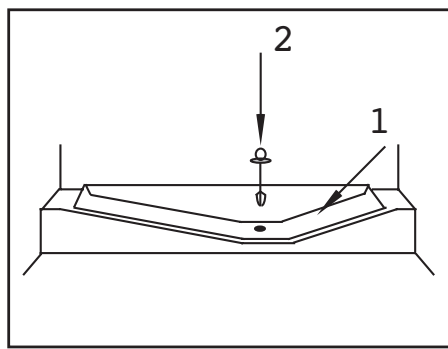
- Desligue o seu produto para o parar.

Descongelação

O refrigerador-despensa descongela automaticamente. A água da descongelação circula até ao tubo de drenagem através do canal de recolha e é evaporada num recipiente especial (1) colocado atrás do frigorífico (ver diagrama).

Durante a descongelação, podem-se formar gotas de água na parte posterior do refrigerador-despensa onde se encontra o evaporador. Algumas gotas podem permanecer no interior e recongelar depois da descongelação estar terminada. Não utilize objectos pontiagudos, como facas ou garfos, para remover as gotas que tenham recongelado.

Se, em qualquer momento, a água da descongelação não circular pelo canal de recolha, verifique se o tubo de drenagem não está obstruído com partículas de alimentos. O tubo de escoamento pode ser limpo empurrando o êmbolo especial de plástico fornecido sob o tubo de escoamento (2).



6 Manutenção e limpeza

- ⚠ Nunca use gasolina, benzeno ou substâncias semelhantes para a limpeza.
- ⚠ Recomendamos que desligue a ficha do equipamento da tomada antes da limpeza.
- ⚠ Nunca utilize na limpeza objectos abrasivos ou pontiagudos, sabões, produtos de limpeza doméstica, detergentes ou ceras brilhantadoras.
- ℹ Utilize água morna para limpar o exterior do seu frigorífico e seque-o com um pano.
- ℹ Utilize um pano humedecido numa solução composta por uma colher de chá de bicarbonato de soda dissolvido em cerca de meio litro de água para limpar o interior e depois seque-o.
- ⚠ Certifique-se de que não entra água no compartimento da lâmpada e nos outros itens eléctricos.
- ⚠ Se o seu frigorífico não for utilizado durante um longo período de tempo, remova o cabo de alimentação, retire todos os alimentos, limpe-o e deixe a porta entreaberta.
- ℹ Verifique regularmente as borrachas vedantes da porta, para se assegurar que elas estão limpas e sem restos de alimentos.
- ⚠ Para remover os suportes da porta, retire todo o seu conteúdo e, em seguida, basta empurrar cuidadosamente o seu suporte para cima a partir da base.

- ⚠ Nunca utilize agentes de limpeza ou água que contenha cloro para limpar as superfícies externas e as partes cromadas do produto. O cloro provoca a corrosão de tais superfícies metálicas.

Protecção das superfícies plásticas

- ℹ Não coloque óleos líquidos ou comidas cozinhadas no óleo no seu frigorífico em recipientes abertos, uma vez que podem danificar as superfícies plásticas do seu frigorífico. No caso de derrame ou salpico de óleo nas superfícies plásticas, limpe e enxagúe a parte correspondente da superfície com água morna.

7 Soluções recomendadas para os problemas

Por favor, reveja esta lista antes de telefonar para a assistência. Com isso, pode poupar tempo e dinheiro. Esta lista abrange as reclamações frequentes resultantes de defeitos de fabricação ou utilização do material. Algumas das funções descritas aqui podem não existir no seu produto.

O frigorífico não funciona
<ul style="list-style-type: none">• O frigorífico tem a ficha eléctrica ligada correctamente à tomada? Introduza a ficha na tomada de parede.• O fusível da tomada na qual o frigorífico está ligado ou o fusível principal não está queimado? Verifique o fusível.
Condensação na parede lateral do compartimento do refrigerador (MULTIZONE, COOL CONTROL e FLEXI ZONE).
<ul style="list-style-type: none">• Condições ambientais muito frias. Abertura e fecho frequentes da porta. Condições ambientais de alta humidade. Armazenamento de alimentos que contém líquidos em recipientes abertos. A porta foi deixada entreaberta. Comute o termóstato para um grau mais frio.• Diminua o número de vezes de abertura da porta ou utilize menos frequentemente.• Cubra os alimentos guardados em recipientes abertos com um material apropriado.• Limpe a condensação usando um pano seco e verifique, se persistir.
O compressor não está a funcionar.
<ul style="list-style-type: none">• A protecção térmica do compressor deixará de funcionar durante falhas eléctricas repentinas ou na extracção/colocação da ficha eléctrica, já que a pressão refrigerante no sistema de arrefecimento do frigorífico ainda não se encontra estabilizada. O seu frigorífico voltará a funcionar aproximadamente 6 minutos depois. Por favor, chame a assistência se o frigorífico não começar a operar no fim deste período.• O refrigerador está no ciclo de descongelação. Isto é normal num frigorífico de descongelação totalmente automático. O ciclo de descongelação ocorre periodicamente.• O seu frigorífico não está ligado à tomada. Certifique-se de que a ficha está correctamente ligada à tomada.• A regulação da temperatura está feita correctamente?• A corrente deve ser desligada.

O refrigerador está a funcionar frequentemente ou por um longo tempo.

- O seu novo produto pode ser mais largo do que o anterior. Esta situação é perfeitamente normal. Os frigoríficos grandes operam por um período maior de tempo.
- A temperatura ambiente pode estar muito elevada. Esta situação é perfeitamente normal.
- O frigorífico foi ligado à tomada há pouco tempo ou carregado com alimentos. O arrefecimento total do frigorífico pode demorar mais do que duas horas.
- Podem ter sido colocadas recentemente grandes quantidades de alimentos quentes no frigorífico. Os alimentos quentes obrigam a um funcionamento mais vigoroso do frigorífico até que alcance a temperatura segura de armazenamento.
- As portas podem estar a ser abertas frequentemente ou foram deixadas entreabertas por longo tempo. O ar quente que entrou no frigorífico faz com que o mesmo tenha que funcionar por períodos mais longos. Abra as portas com menos frequência.
- A porta do compartimento do refrigerador ou do congelador pode ter sido deixada entreaberta. Verifique se as portas estão completamente fechadas.
- O frigorífico está ajustado para uma temperatura muito baixa. Ajuste a temperatura do frigorífico para um grau mais quente e aguarde até que a temperatura seja atingida.
- O vedante da porta do refrigerador ou do congelador pode estar sujo, gasto, roto ou não ajustado correctamente. Limpe ou substitua o vedante. O vedante danificado/roto faz com que o frigorífico funcione por um período de tempo maior para que mantenha a temperatura actual.

A temperatura do congelador está muito baixa, enquanto que a temperatura do refrigerador é suficiente.

- A temperatura do congelador está ajustada para uma temperatura muito baixa. Ajuste a temperatura do congelador para um grau mais quente e verifique.

A temperatura do refrigerador está muito baixa, enquanto que a temperatura do congelador é suficiente.

- A temperatura do refrigerador pode ter sido ajustada para uma temperatura muito baixa. Ajuste a temperatura do refrigerador para um grau mais quente e verifique.

Os alimentos guardados nas gavetas do compartimento do refrigerador estão congelados.

- A temperatura do refrigerador pode ter sido ajustada para uma temperatura muito baixa. Ajuste a temperatura do refrigerador para um grau mais quente e verifique.

A temperatura no refrigerador ou no congelador é muito alta.
<ul style="list-style-type: none"> • A temperatura do refrigerador pode ter sido ajustada para um grau muito alto. O ajuste do refrigerador tem efeito na temperatura do congelador. Altere a temperatura do refrigerador ou do congelador até que a temperatura do refrigerador ou do congelador atinja um nível suficiente. • As portas podem estar a ser abertas frequentemente ou foram deixadas entreabertas por longo tempo; abra-as menos frequentemente. • A porta poderá ter sido deixada entreaberta; feche-a completamente. • Podem ter sido colocadas recentemente grandes quantidades de alimentos quentes no frigorífico. Aguarde até que o refrigerador ou o congelador atinja a temperatura desejada. • O frigorífico pode ter sido ligado à tomada há pouco tempo. O total arrefecimento do frigorífico leva tempo.
O ruído de funcionamento aumenta quando o frigorífico está a funcionar.
<ul style="list-style-type: none"> • O desempenho de funcionamento do frigorífico pode variar devido às alterações na temperatura ambiente. Esta situação é normal e não é um problema.
Vibrações ou ruído.
<ul style="list-style-type: none"> • O piso não está nivelado ou não é resistente. O frigorífico balança quando deslocado lentamente. Certifique-se de que o piso é suficientemente forte para suportar o frigorífico, e nivelado. • O ruído pode ser causado pelos itens colocados sobre o frigorífico. Os itens sobre o topo do frigorífico devem ser removidos.
Há ruídos que surgem do frigorífico como líquidos a verter ou gotejar.
<ul style="list-style-type: none"> • Os fluxos de gás e líquidos acontecem conforme os princípios de funcionamento do seu frigorífico. Esta situação é normal e não é um problema.
Há um ruído parecido com o vento a soprar.
<ul style="list-style-type: none"> • As ventoinhas são utilizadas para arrefecer o frigorífico. Esta situação é normal e não é um problema.
Condensação nas paredes internas do frigorífico.
<ul style="list-style-type: none"> • O tempo quente e húmido aumenta a formação de gelo e de condensação. Esta situação é normal e não é um problema. • As portas poderão ter sido deixadas entreabertas; certifique-se que as mesmas estão completamente fechadas. • As portas podem estar a ser abertas frequentemente ou foram deixadas entreabertas por longo tempo; abra-as menos frequentemente.
Há ocorrência de humidade no exterior do frigorífico ou entre as portas.
<ul style="list-style-type: none"> • Poderá existir humidade no ar; isto é bastante normal no tempo húmido. Quando a humidade for menor, a condensação irá desaparecer.

Maus odores dentro do frigorífico.

- O interior do frigorífico deve ser limpo. Limpe o interior do frigorífico com uma esponja, água morna ou água com gás.
- Alguns recipientes ou materiais de embalagem podem provocar cheiros. Utilize um recipiente diferente ou um material de embalagem de marca diferente.

A porta não está fechada.

- Os pacotes de alimentos podem impedir o fecho da porta. Coloque de outra forma as embalagens que estão a obstruir a porta.
- O frigorífico não está completamente na vertical no pavimento e balanceia quando ligeiramente movido. Ajuste os parafusos de elevação.
- O piso não é sólido ou não está nivelado. Certifique-se de que o piso está nivelado e capaz de suportar o frigorífico.

As gavetas para frutos e legumes estão bloqueadas.

- Os alimentos podem estar a tocar o tecto da gaveta. Arrume novamente os alimentos na gaveta.

Leggere innanzitutto il manuale di istruzioni.

Gentile Cliente,

ci auguriamo che l'articolo da Lei scelto, prodotto in moderni stabilimenti e sottoposto ai più severi controlli di qualità, risponda interamente alle Sue esigenze.

A tal fine, La invitiamo a leggere attentamente il manuale di istruzioni del prodotto prima di procedere al suo utilizzo e di conservarlo per eventuali consultazioni future.

Il presente manuale

- Aiuterà l'utente ad utilizzare l'apparecchio in modo rapido e sicuro.
- Leggere le istruzioni per l'uso prima di installare e utilizzare il prodotto.
- Seguire attentamente le istruzioni, in particolare quelle inerenti alla sicurezza.
- Conservare il presente manuale in un luogo facilmente accessibile per eventuali future consultazioni.
- Leggere inoltre gli altri documenti forniti assieme al prodotto.
- Il presente manuale può essere valido anche per altri modelli.






Simboli e loro descrizione

Il manuale di istruzioni contiene i seguenti simboli:

 Informazioni importanti o consigli utili di utilizzo.

 Segnale di avvertimento in caso di situazioni pericolose per la persona o i beni.

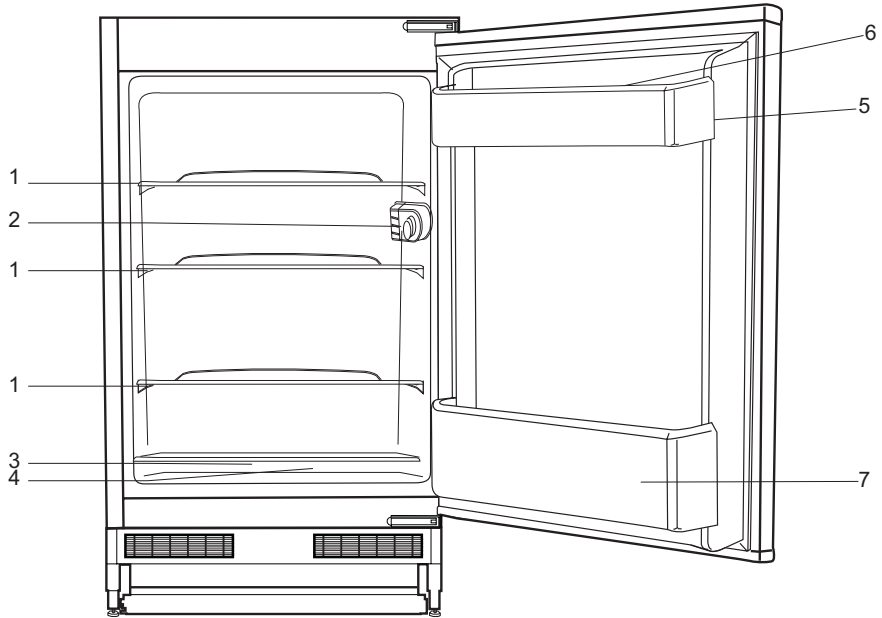
 Segnale di avvertimento in caso di problemi con il voltaggio.

 INFORMAZIONI	
	
SUPPLIER'S NAME  A	MODEL IDENTIFIER (*)  A
Le informazioni sul modello memorizzate nella banca dati dei prodotti possono essere consultate sul seguente sito web, cercando l'identificativo del modello (*) presente sull'etichetta energetica. https://eprel.ec.europa.eu/	

INDICE

1 Il frigorifero	3	4 Preparazione	14
2 Importanti avvertenze per la sicurezza	4	5 Utilizzo del frigorifero	15
Usò previsto	4	Impostazione della temperatura di funzionamento.....	15
Sicurezza generale	4	La temperatura di funzionamento è regolata con il comando temperatura.	15
Sicurezza bambini	6	Controllo E Regolazione Temperatura	15
Conformità alla direttiva WEEE e allo smaltimento dei rifiuti:	7	Arresto del prodotto	16
Conformità alla Direttiva RoHS:.....	7	Sbrinamento.....	16
Informazioni sulla confezione	7	6 Manutenzione e pulizia	17
Avvertenza HCA	7	Protezione delle superfici di plastica	17
Cose da fare per risparmiare energia .	7	7 Soluzioni consigliate per i problemi	18
3 Installazione	9		
Punti da tenere in considerazione quando si trasporta nuovamente il frigorifero	9		
Prima di utilizzare il frigorifero	9		
Collegamento elettrico	10		
Smaltimento del materiale di imballaggio	10		
Smaltimento del vecchio frigorifero ..	10		
Posizionamento e installazione	10		
Posizionamento del frigorifero sotto il piano di lavoro e regolazione dei piedini.....	11		
Cambiare la lampadina di illuminazione	12		
Inversione degli sportelli.....	13		

1 Il frigorifero



1. Ripiani bottiglie
2. Scatola lampadina termostato
3. Carne, salsicce, affettati, lattine.
4. Frutta, verdura, insalata.
5. Tubetti, bottiglie piccole e lattine.
6. Scomparto uova
7. Bevande, bottiglie grandi.

i Le figure in questo manuale sono rappresentative e potrebbero non rispettare perfettamente il prodotto. Se il prodotto acquistato non ha le parti rappresentate, allora queste sono valide per gli altri modelli.

2 Importanti avvertenze per la sicurezza

Prendere in esame le seguenti informazioni. Se queste informazioni non vengono rispettate, possono verificarsi lesioni personali o danni materiali. Quindi tutte le garanzie e gli impegni sull'affidabilità diventerebbero privi di validità.

La vita d'uso dell'unità acquistata è 10 anni. Questo è il periodo in cui si conservano le parti di ricambio necessarie perché l'unità funzioni come descritto.

Uso previsto

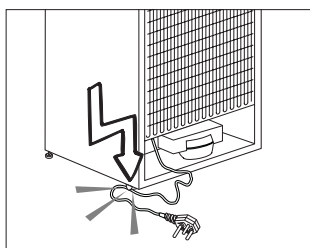
- Questo apparecchio è destinato ad un uso domestico e applicazioni simili come
- aree destinate a cucina in negozi, uffici e altri ambienti di lavoro;
- fattorie e da clienti in alberghi, motel e altri ambienti di tipo residenziale;
- ambienti tipo bed and breakfast;
- catering e simili applicazioni non commerciali.
- Non deve essere usato all'esterno. L'uso esterno non è appropriato anche se coperto da un tetto.

Sicurezza generale

- Quando si vuole smaltire/eliminare l'apparecchio, è consigliabile consultare il servizio autorizzato per apprendere le informazioni necessarie e conoscere gli enti autorizzati.
- Consultare il servizio di manutenzione autorizzato per tutti i problemi relativi al frigorifero. Non intervenire o far intervenire sul frigorifero senza informare il servizio manutenzione autorizzato.

- Non mangiare coni gelati ghiacciati p cubetti di ghiaccio o gelati appena presi dal freezer! (possono provocare bruciate da freddo alla bocca). (Ciò potrebbe causare sintomi di congelamento in bocca).
- Non mettere bottiglie e lattine di bibite liquide nello scomparto del freezer. altrimenti potrebbero esplodere.
- Non toccare con le mani gli alimenti gelati; possono incollarsi ad esse.
- Il vapore e i materiali per la pulizia vaporizzati non devono mai essere usati per pulire e scongelare il frigorifero. In questo caso il vapore può entrare in contatto con le parti elettriche e provocare corto circuito o scossa elettrica.
- Non usare mai parti del frigorifero come lo sportello come mezzo di supporto o movimento.
- Non utilizzare dispositivi elettrici all'interno del frigorifero.
- Non danneggiare il circuito di raffreddamento, in cui circola il refrigerante, con utensili perforanti o taglienti. Il refrigerante può scoppiare quando i canali del gas dell'evaporatore, le estensioni dei tubi o le pellicole superficiali vengono punti e possono provocare irritazioni alla pelle e lesioni agli occhi.
- Non bloccare o coprire la ventilazione dell'elettrodomestico.
- Le riparazioni agli apparecchi elettrici devono essere eseguite solo da personale qualificato. Le riparazioni eseguite da personale non competente possono provocare danni all'utilizzatore.

- In caso di guasto o durante lavori di riparazione e manutenzione, scollegare la fornitura d'energia principale spegnendo il fusibile principale o scollegando la presa dell'apparecchio.
- Non tirare dal cavo quando si estrae la spina.
- Posizionare le bibite più alte molto vicine e in verticale
- Non conservare sostanze esplosive come aerosol con gas propellenti infiammabili nell'apparecchio.
- Non utilizzare apparecchiature meccaniche o altri mezzi diversi da quelli consigliati dal produttore, per accelerare il processo di sbrinamento.
- Questo apparecchio non deve essere usato da persone (compresi bambini) con capacità fisiche, sensoriali o mentali ridotte, o mancanza di esperienza e conoscenza, a meno che non ricevano la supervisione o le istruzioni per l'uso dell'apparecchio da parte di una persona responsabile della loro sicurezza.
- Non utilizzare frigoriferi danneggiati. Consultare il servizio assistenza in caso di dubbi.
- La sicurezza elettrica del frigorifero è garantita unicamente se il sistema di messa a terra dell'apparecchiatura è conforme agli standard.
- L'esposizione del prodotto a pioggia, neve, sole e vento è pericolosa per la sicurezza elettrica.
- Contattare l'assistenza autorizzata quando ci sono danni ai cavi ecc., in modo che non creino pericoli per l'utente.
- non collegare mai il frigorifero alla presa a muro durante l'installazione, per evitare il rischio di morte o lesioni gravi.
- Questo frigorifero è destinato solo alla conservazione di alimenti. Non deve essere usato per altri fini.
- L'etichetta che descrive le specifiche tecniche del prodotto si trova a sinistra nella parte interna del frigorifero.
- Non collegare il frigorifero a sistemi di risparmio energetico poiché possono danneggiare l'apparecchio.
- Se il frigorifero presenta una luce blu, non guardarla usando dispositivi ottici.
- Se l'alimentazione è scollegata negli apparecchi controllati manualmente, attendere almeno 5 minuti prima di ricollegarla.
- Questo manuale deve essere trasferito al successivo proprietario del frigorifero, in caso di passaggio di proprietà.
- Quando si sposta l'apparecchio, assicurarsi di non danneggiare il cavo di alimentazione. Per evitare che il cavo di alimentazione si incendi, evitare di torcerlo. Non mettere oggetti pesanti sul cavo di alimentazione. Quando il frigorifero viene collegato alla rete, non toccare la presa di alimentazione con le mani bagnate.



- Non collegare il frigorifero alla rete se la presa elettrica è allentata.
- Non far schizzare l'acqua direttamente sulle parti esterne o interne del frigorifero per ragioni di sicurezza.
- Non spruzzare materiali infiammabili come gas propano, ecc. nelle vicinanze del frigorifero, a causa del rischio di incendio ed esplosioni.
- Non mettere oggetti pieni di acqua sopra al frigorifero poiché potrebbero provocare uno shock elettrico o un incendio.
- Non sovraccaricare il frigorifero con troppi alimenti. Gli alimenti in eccesso possono cadere quando viene aperto lo sportello, causando lesioni alla persona o danneggiando il frigorifero. Non mettere oggetti sopra al frigorifero poiché potrebbero cadere quando si apre o si chiude lo sportello dell'apparecchio.
- Materiali che richiedono determinate condizioni di temperatura come vaccini, farmaci termosensibili, materiali scientifici, ecc. non devono essere tenuti in frigorifero.
- Se il frigorifero non viene usato per molto tempo, deve essere scollegato dalla rete. Un problema nell'isolamento del cavo elettrico potrebbe provocare un incendio.
- La punta della spina elettrica deve essere regolarmente pulita altrimenti potrebbe provocare un incendio.
- La punta della spina deve essere pulita regolarmente con un panno asciutto; altrimenti può provocare un incendio.
- Il frigorifero potrebbe spostarsi quando i piedini regolabili non sono posizionati in modo fermo a terra. Usando i piedini regolabili si assicura che il frigorifero sia posizionato in modo stabile sul pavimento.
- Se il frigorifero ha una maniglia sullo sportello, non tirare l'apparecchio dalla maniglia quando lo si sposta, altrimenti la maniglia potrebbe staccarsi.
- Se è necessario utilizzare l'apparecchio vicino ad un altro frigorifero o un altro freezer, la distanza tra gli apparecchi deve essere almeno 8 cm. Altrimenti si può creare condensa sulle pareti laterali che sono l'una di fronte all'altra.
- La pressione principale dell'acqua non deve scendere sotto 1bar. La pressione principale dell'acqua non deve essere superiore a 8 bar.
- Usare solo acqua potabile.

Sicurezza bambini

- Se la porta ha un lucchetto, la chiave deve essere tenuta lontana dalla portata dei bambini.
- I bambini devono ricevere la supervisione necessaria ad assicurare che non giochino con l'apparecchio.

Conformità alla direttiva WEEE e allo smaltimento dei rifiuti:



Questo apparecchio è conforme alla Direttiva UE WEEE (2012/19/EU). Questo apparecchio riporta il simbolo di classificazione per i rifiuti delle apparecchiature elettriche ed elettroniche

(WEEE).

Questo apparecchio è stato realizzato con parti e materiali di alta qualità che possono essere riutilizzati e sono adatti ad essere riciclati. Non smaltire i rifiuti dell'apparecchio con i normali rifiuti domestici e gli altri rifiuti alla fine della vita di servizio. Portarlo al centro di raccolta per il riciclaggio di apparecchiature elettriche ed elettroniche. Consultare le autorità locali per conoscere la collocazione di questi centri di raccolta.

Conformità alla Direttiva RoHS:

L'apparecchio acquistato è conforme alla Direttiva UE RoHS (2011/65/EU). Non contiene materiali pericolosi o proibiti specificati nella Direttiva.

Informazioni sulla confezione

I materiali di imballaggio del prodotto sono realizzati con materiali riciclabili secondo i nostri regolamenti nazionali sull'ambiente. Non smaltire i materiali di imballaggio con i rifiuti domestici o altri rifiuti. Portarli ai punti di raccolta dedicati ai materiali di imballaggio, previsti dalle autorità locali.

Avvertenza HCA

Se il prodotto è dotato di un sistema di raffreddamento che contiene R600a:

Questo gas è infiammabile. Pertanto, fare attenzione a non danneggiare il sistema di raffreddamento e le tubazioni durante l'uso e il trasporto. In caso di danni, tenere il prodotto lontano da potenziali fonti di incendio che possono provocarne l'incendio e ventilare la stanza in cui si trova l'unità.

Ignorare l'avvertenza se il prodotto è dotato di un sistema di raffreddamento che contiene R134a.

Si può vedere il gas usato nella produzione del dispositivo sull'etichetta informativa che si trova nella parte interna sinistra dello stesso.

Non gettare mai il prodotto nel fuoco.

Cose da fare per risparmiare energia

- Non lasciare lo sportello del frigorifero aperto per lungo tempo.
- Non inserire cibo caldo o bevande calde nell'elettrodomestico.
- Non sovraccaricare il frigorifero impedendo la circolazione dell'aria al suo interno.
- Non installare il frigorifero sotto la luce diretta del sole o nelle vicinanze di forni, lavastoviglie o radiatori.
- Porre attenzione nel conservare il cibo in contenitori chiusi.

- La quantità massima di alimenti può essere posta nello scomparto freezer del frigorifero quando il ripiano o il cassetto dello scomparto freezer sono rimossi. Il valore di consumo energetico dichiarato per il frigorifero è stato stabilito con il ripiano o il cassetto dello scomparto freezer rimossi e con la quantità massima di alimenti caricata. Non c'è rischio nell'usare un ripiano o un cassetto secondo le forme e le dimensioni degli alimenti da congelare.

3 Installazione

⚠ Ricordarsi che il fabbricante non è responsabile della mancata osservanza delle informazioni fornite nel manuale di istruzioni.

Punti da tenere in considerazione quando si trasporta nuovamente il frigorifero

1. Deve essere svuotato prima di ogni trasporto.
2. Scaffali, accessori, cestelli ecc. devono essere fissati nel frigorifero in modo sicuro per mezzo di nastro adesivo prima di essere di nuovo imballati.
3. L'imballaggio deve essere eseguito con nastro spesso e forte e le norme di trasporto devono essere scrupolosamente seguite.

Cose da non dimenticare...

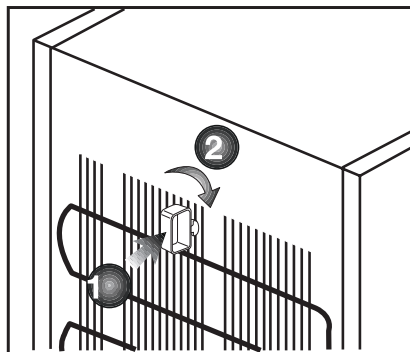
Tutti i materiali riciclati sono una fonte indispensabile per la natura e per le nostre risorse naturali.

Se si vuole contribuire al riciclaggio di materiali da imballo, è necessario rivolgersi per ulteriori informazioni alle autorità locali per l'ambiente.

Prima di utilizzare il frigorifero

Prima di avviare l'uso del frigorifero, controllare quanto segue:

1. L'interno del frigorifero è asciutto e l'aria può circolare liberamente sul retro?
2. Installare i 2 distanziali in plastica come illustrato in figura. I distanziali di plastica garantiranno la distanza



necessaria alla circolazione dell'aria tra il frigorifero e la parete. (La figura è soltanto un esempio e non rappresenta l'esatto modello dell'apparecchio).


3. Pulire la parte interna del frigorifero come consigliato nella sezione "Manutenzione e pulizia".
4. Collegare il frigorifero alla presa elettrica. Quando lo sportello del frigorifero viene aperto si accenderà la luce interna allo scomparto frigo.
5. Si udrà un rumore quando il compressore si avvia. I liquidi e i gas sigillati nel sistema refrigerante possono produrre dei rumori, anche se il compressore non è in funzione; questo è abbastanza normale.
6. I bordi anteriori del frigorifero possono essere tiepidi. Questo è normale. Queste zone sono progettate per essere tiepide per evitare la condensazione.


Collegamento elettrico

Collegare il frigorifero ad una presa di messa a terra protetta da un fusibile della capacità appropriata.

Importante:

- Il collegamento deve essere conforme ai regolamenti nazionali.
- Il cavo di alimentazione deve essere facilmente accessibile dopo l'installazione.
- La tensione specificata deve essere pari a quella di rete.
- Le prolunghe e le prese multiple non devono essere usate per il collegamento.

 Un cavo di alimentazione danneggiato deve essere sostituito da un elettricista qualificato.

 L'apparecchio non deve essere usato finché non viene riparato! C'è pericolo di shock elettrico!

Smaltimento del materiale di imballaggio

I materiali di imballaggio potrebbero essere dannosi per i bambini. Tenere i materiali di imballaggio fuori dalla portata dei bambini o smaltirli classificandoli secondo le istruzioni sui rifiuti. Non smaltirli insieme ai normali rifiuti domestici.

L'imballaggio del frigorifero è prodotto con materiali riciclabili.


Smaltimento del vecchio frigorifero

Smaltimento del vecchio frigorifero senza danni per l'ambiente.

- Bisogna consultare il rivenditore autorizzato o il centro di raccolta rifiuti della propria città per quanto riguarda lo smaltimento del frigorifero.

- Prima di smaltire il frigorifero, tagliare la spina elettrica e, se ci sono blocchi allo sportello, renderli inutilizzabili per proteggere i bambini da eventuali pericoli.

Posizionamento e installazione

 Nel caso in cui la porta di ingresso della stanza in cui il frigorifero deve essere posizionato non è abbastanza grande per il passaggio del frigorifero, chiamare il servizio autorizzato per rimuovere le porte del frigorifero e per farlo passare attraverso la porta.

1. Installare il frigorifero in un luogo che ne permetta il facile utilizzo.
2. Tenere il frigorifero lontano da fonti di calore, luoghi umidi e luce diretta del sole.
3. Intorno al frigorifero deve esserci ventilazione appropriata per poter avere operatività efficiente. Se il frigorifero deve essere posizionato in un recesso della parete, è necessario porlo ad almeno 5 cm di distanza dal soffitto e a 5 cm dalla parete. Se il pavimento è coperto con un tappeto, l'apparecchio deve essere sollevato di 2,5 cm dal pavimento.
4. Posizionare l'elettrodomestico solo su superfici uniformi e piane per evitare dondoli.

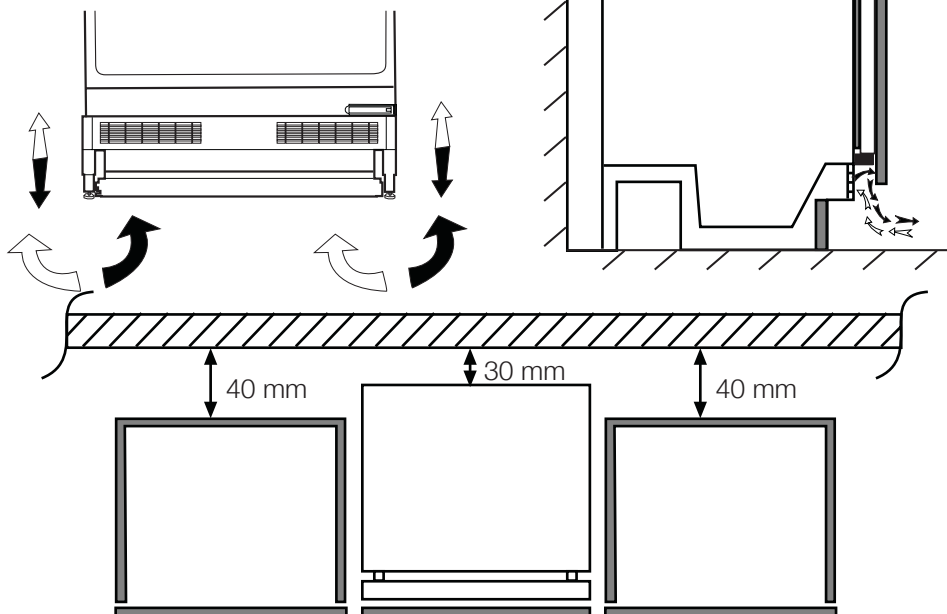
Posizionamento del frigorifero sotto il piano di lavoro e regolazione dei piedini

Quando si posiziona il frigorifero, la distanza tra il prodotto e la parete deve essere almeno di 30 mm, come si vede nella figura.

I canali di aspirazione dell'aria non devono essere bloccati in modo che la prestazione del frigorifero non peggiori. (140 cm²)

Se il frigorifero non è stabile;

Si possono ruotare i piedini anteriori del frigorifero come si vede nella figura per farlo stare in equilibrio. L'angolo del piedino si abbassa quando il piedino è ruotato in direzione della freccia nera; si alza quando il piedino è ruotato nella direzione opposta. Sarà più facile per l'utente farsi aiutare a sollevare un po' l'unità durante questo processo.



Cambiare la lampadina di illuminazione

Per cambiare lampadina/LED utilizzati per illuminare il frigorifero, rivolgersi al Servizio Assistenza Autorizzato.

La lampada (le lampade) usata (usate) nell'apparecchiatura non è (sono) adatta (adatte) per l'illuminazione domestica. L'obiettivo previsto per questa lampada è quello di assistere l'utente in fase di posizionamento degli alimenti all'interno del frigorifero / congelatore in modo sicuro e comodo.

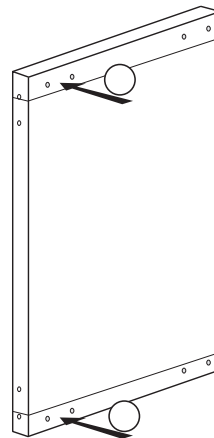
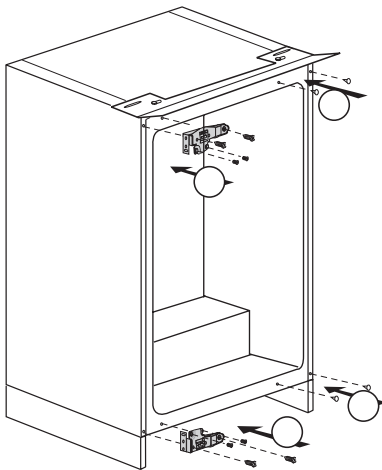
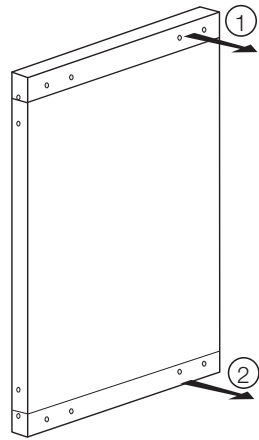
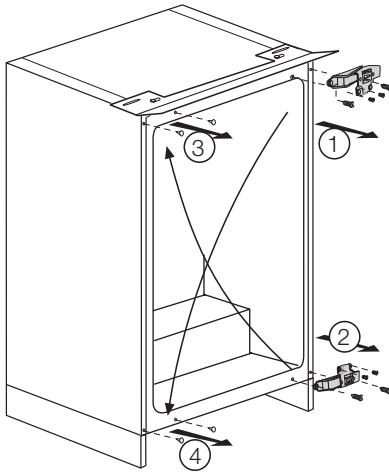
Le lampadine utilizzate in questo apparecchio devono sopportare condizioni fisiche estreme come temperature inferiori a -20 °C.

Questo prodotto è dotato di una sorgente di illuminazione con classe energetica "G".

La sorgente di illuminazione nel prodotto dovrà essere sostituita solo da professionisti nel campo della riparazione.

Inversione degli sportelli

Procedere in ordine numerico

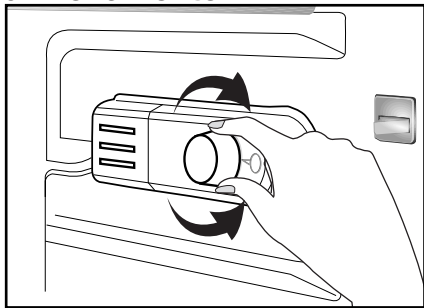


4 Preparazione

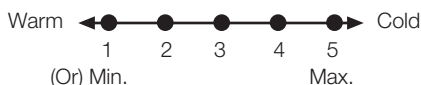
- Il frigorifero dovrà essere installato ad almeno 30 cm lontano da fonti di calore, come forni, riscaldamento centrale e stufe e ad almeno 5 cm da forni elettrici e non deve essere esposto alla luce diretta del sole.
- La temperatura ambiente della stanza in cui viene installato il frigorifero deve essere almeno 10°C . Usare il frigorifero in ambienti con temperatura inferiore non è consigliabile per motivi di efficienza.
- Assicurarci che l'interno del frigorifero sia ben pulito.
- In caso di installazione di due frigoriferi l'uno accanto all'altro, devono esservi almeno 2 cm di distanza tra di loro.
- Quando il frigorifero viene messo in funzione per la prima volta, osservare le seguenti istruzioni per le prime sei ore.
- La porta non si deve aprire frequentemente.
- Deve funzionare vuoto senza alimenti all'interno.
- Non staccare il frigo dalla presa di corrente. Se si verifica un calo di potenza al di là del controllo dell'utente, vedere le avvertenze nella sezione "Soluzioni consigliate per i problemi".
- Conservare i materiali originali di imballaggio per futuri trasporti o spostamenti.

5 Utilizzo del frigorifero

Impostazione della temperatura di funzionamento



La temperatura di funzionamento è regolata con il comando temperatura.



1 = impostazione raffreddamento minimo (Impostazione più calda)
5 = impostazione raffreddamento massimo (Impostazione più fredda)

(Oppure)

Min. = impostazione raffreddamento minimo

(Impostazione più calda)

Max. = impostazione raffreddamento massimo

(Impostazione più fredda)

La temperatura media all'interno del frigo dovrebbe essere intorno a +5°C.

Scegliere l'impostazione secondo la temperatura desiderata.

Si noti che ci saranno temperature diverse nell'area di raffreddamento.

La sezione più fredda è quella immediatamente sopra lo scomparto per le verdure.

La temperatura interna dipende anche dalla temperatura ambiente,

dalla frequenza con cui lo sportello viene aperto e dalla quantità di cibo contenuto all'interno.

L'apertura frequente dello sportello provoca un aumento della temperatura interna.

Per questo motivo si consiglia di chiudere lo sportello subito dopo l'uso, il più velocemente possibile.

Controllo E Regolazione Temperatura

Le temperature di funzionamento sono controllate dal termostato (vedere diagramma). Le impostazioni possono andare da 1 a 5, la posizione più fredda. Quando l'elettrodomestico viene acceso per la prima volta, il termostato deve essere regolato in modo che, dopo 24 ore, la temperatura media del frigo non è superiore a +5°C (+41°F).

Consigliamo di impostare il termostato a metà tra 1 e 5 e di monitorare per ottenere la temperatura desiderata, cioè verso 5 si otterrà una temperatura più fredda per il frigo e viceversa. Alcune sezioni del frigorifero possono essere più calde o più fredde (come lo scomparto per l'insalata e la parte superiore dell'armadietto) il che è normale.

In casi di temperatura ambiente superiore a 25°C (77°F), soprattutto d'estate, ruotare la manopola del termostato verso 5. In casi di temperatura ambiente inferiore a 25°C (77°F), ruotare la manopola del termostato nella posizione intermedia.

5

Una frequente apertura dello sportello provoca temperature interne più alte, pertanto chiudere lo sportello immediatamente dopo l'uso.

4

In caso di formazione di ghiaccio nello scomparto frigo, ridurre l'impostazione del termostato su 1, monitorando allo stesso tempo che la temperatura del frigo sia massimo +5° C (41° F).

3

Quando la formazione di ghiaccio scompare e l'apparecchio avvia di nuovo lo sbrinamento come normale, è possibile aumentare l'impostazione del termostato, se necessario.

2

1

0

Sbrinamento

La dispensa frigo si sbrina automaticamente. L'acqua di sbrinamento scorre nel tubo di scarico tramite un canale di raccolta e viene smaltita attraverso un contenitore apposito (1) posizionato nella parte posteriore dell'elettrodomestico (vedere diagramma).

Durante lo sbrinamento, possono formarsi goccioline d'acqua nella parte posteriore dello scomparto dispensa in cui è posto un evaporatore nascosto. Alcune goccioline possono rimanere sul bordo e congelarsi di nuovo al termine dello sbrinamento. Non utilizzare oggetti appuntiti come coltelli o forchette per rimuovere le goccioline ricongelate.

Se in qualsiasi momento l'acqua di sbrinamento non viene scaricata dal canale di raccolta, controllare per assicurare che il tubo di scarico non sia stato ostruito da particelle di cibo. Il tubo di scarico può essere pulito spingendo l'apposito stantuffo in plastica in dotazione con il tubo di scarico (2).

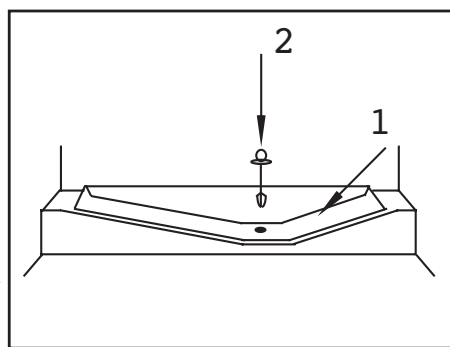
Arresto del prodotto

Se il termostato è dotato della posizione "0":

- Il prodotto smette di funzionare quando si porta il termostato in posizione "0" (zero). Il prodotto non si avvia a meno che non si porta di nuovo il termostato in posizione "1" o un'altra posizione.

Se il termostato è dotato della posizione "min":

- Scollegare il prodotto per arrestarlo.



6 Manutenzione e pulizia

- ⚠ Non usare mai gasolio, benzene o sostanze simili per scopi di pulizia.
- ⚠ È consigliato scollegare l'apparecchio prima della pulizia.
- ⚠ Non utilizzare mai attrezzi appuntiti o sostanze abrasive, saponi, detergenti per la casa o cere per la pulizia.
- ℹ Utilizzare acqua tiepida per pulire l'alloggiamento del frigorifero e asciugarlo.
- ℹ Utilizzare un panno umido intriso di una soluzione composta da un cucchiaino di bicarbonato di soda e da circa mezzo litro di acqua e pulire l'interno, quindi asciugare.
- ⚠ Assicurarsi che l'acqua non penetri nel quadro di comando della temperatura.
- ⚠ Se il frigorifero non viene usato per un lungo periodo di tempo, scollegare il cavo di alimentazione, rimuovere tutti gli alimenti dal suo interno, pulirlo e lasciare lo sportello aperto.
- ℹ Controllare le guarnizioni della porta periodicamente per garantire che siano pulite e che non siano presenti particelle di cibo.
- ⚠ Per rimuovere il vassoio dello sportello, rimuovere tutto il contenuto e spingere semplicemente il vassoio verso l'alto.
- ⚠ Non utilizzare mai agenti di pulizia o acqua contenente cloro per pulire le superfici esterne e le parti rivestite in cromo dell'apparecchio. Il cloro provoca corrosione su tali superfici di metallo.

Protezione delle superfici di plastica

- ℹ Non inserire oli liquidi o piatti cotti in olio nel frigorifero se in contenitori non sigillati poiché questi possono danneggiare le superfici in plastica del frigorifero. In caso di fuoriuscita di olio sulle superfici in plastica, pulire e asciugare le parti della superfici con acqua tiepida.

7 Soluzioni consigliate per i problemi

Prima di chiamare il servizio assistenza, rivedere la lista precedente. Si risparmierà tempo e denaro. Questa lista comprende frequenti reclami che non derivano da difetti di lavorazione o dai materiali utilizzati. Alcune delle funzioni descritte qui potrebbero non esistere nel proprio prodotto.

Il frigorifero non funziona.

- Il frigorifero è correttamente collegato alla corrente? Inserire la spina nella presa a muro.
- Il fusibile della presa a cui è collegato il frigorifero è funzionante o il fusibile principale è saltato? Controllare il fusibile.

Condensa sulla parete laterale dello scomparto frigo (MULTIZONE, COOL CONTROL e FLEXI ZONE).

- Ambiente in condizioni molto fredde. Apertura e chiusura frequente della porta
Ambiente in condizioni molto umide Conservazione del cibo contenente liquidi in contenitori aperti. Porta lasciata aperta. Portare il termostato a temperatura inferiore.
- Diminuire il tempo di apertura della porta o aprirla meno frequentemente.
- Coprire il cibo contenuto in contenitori aperti con materiale adatto.
- Asciugare la condensa con un panno asciutto e controllare se continua.

Il compressore non funziona

- La protezione termica del compressore è inattiva in caso di mancanza di corrente o di mancato collegamento alla presa, se il sistema refrigerante non è ancora stato regolato. Il frigorifero comincerà a funzionare dopo circa 6 minuti. . Chiamare il servizio assistenza se il frigorifero non inizia a funzionare al termine di questo periodo.
- Il frigorifero è nel ciclo di sbrinamento. Si tratta di una cosa per un frigorifero con sbrinamento completamente automatico. Il ciclo di sbrinamento si verifica periodicamente.
- L'elettrodomestico non è collegato alla presa. Accertarsi che la spina sia inserita in modo corretto nella presa.
- Le regolazioni di temperatura sono eseguite correttamente?
- Potrebbe esserci un'assenza di corrente.

Il freezer funziona frequentemente o per lunghi periodi.

- Il nuovo frigorifero è più grande del precedente. Ciò è abbastanza normale. I grandi frigoriferi lavorano per lunghi periodi di tempo.
- La temperatura ambiente può essere alta. Ciò è abbastanza normale.
- Il frigorifero è stato collegato alla presa di recente o è stato riempito di cibo. Lo sbrinatorio completo del frigorifero può durare un paio d'ore.
- Grandi quantità di cibo caldo sono state recentemente inserite. I cibi caldi devono essere raffreddati fino alla temperatura ambiente prima di essere riposti nel frigorifero.
- La porta del freezer rimane aperta per un lungo periodo o le porte sono state aperte di frequente. L'aria tiepida entrata nel frigorifero ne provoca il funzionamento per un periodo più lungo. Aprire le porte meno frequentemente.
- La porta del frigorifero o del freezer è stata lasciata aperta. La/e porta/e non si chiude/chiodono.
- Il frigo è regolato a temperatura molto bassa. Regolare la temperatura del frigorifero ad un livello più alto e attendere fino a che la stessa sia acquisita.
- La chiusura della porta del frigorifero o del freezer può essere usurata, rotta o non inserita in modo appropriato. Pulire o sostituire la guarnizione. Guarnizioni rotte o danneggiate provocano il funzionamento del frigo per periodi più lunghi per mantenere la temperatura corrente.

La temperatura ambiente è molto bassa mentre la temperatura del frigorifero è sufficiente.

- Il frigo è regolato a temperatura molto bassa. Regolare la temperatura ad un livello più alto e controllare.

La temperatura ambiente è molto bassa mentre la temperatura del freezer è sufficiente.

- Il frigorifero potrebbe essere stato regolato a temperatura molto bassa. Regolare la temperatura ad un livello più alto e controllare.

Il cibo che è nei cassetti dello scomparto frigo si sta congelando.

- Il frigorifero potrebbe essere stato regolato a temperatura molto bassa. Regolare la temperatura ad un livello più alto e controllare.

La temperatura del frigo o freezer è molto alta.
<ul style="list-style-type: none"> • Il frigorifero potrebbe essere stato regolato a temperatura molto alta. La regolazione del frigorifero provoca effetti sulla temperatura del freezer. Cambiare la temperatura di frigo o freezer fino a che essa non raggiunge un livello sufficiente. • La porta del freezer rimane aperta per un lungo periodo o le porte sono state aperte di frequente; aprire con minore frequenza. • La porta potrebbe essere rimasta aperta; chiudere la porta completamente. • Grandi quantità di cibo caldo sono state recentemente inserite. Attendere fino a che il frigorifero o freezer non raggiungono la temperatura desiderata. • Il frigorifero è stato collegato alla presa di recente. Lo sbrinamento completo del frigorifero ha bisogno di tempo.
Il rumore aumenta quando il frigorifero sta lavorando.
<ul style="list-style-type: none"> • La performance operativa del frigorifero può cambiare secondo i cambiamenti della temperatura ambiente. Si tratta di una cosa normale e non di un guasto.
Vibrazioni o rumore.
<ul style="list-style-type: none"> • Il pavimento non è orizzontale o è debole. Il frigorifero ondeggia quando si sposta lentamente. Accertarsi che il pavimento sia in piano e forte abbastanza da sopportare il frigorifero. • Il rumore potrebbe essere provocato dagli oggetti nel frigorifero. Bisogna rimuovere gli oggetti sopra al frigorifero.
Ci sono rumori che provengono dal frigorifero come gocciolamenti o spruzzo di liquidi.
<ul style="list-style-type: none"> • Il flusso di liquido e gas si verifica secondo i principi operativi del frigorifero. Si tratta di una cosa normale e non di un guasto.
C'è un rumore come vento che soffia.
<ul style="list-style-type: none"> • Le ventole sono usate per raffreddare il frigorifero. Si tratta di una cosa normale e non di un guasto.
Condensa sulla parete interna del frigorifero.
<ul style="list-style-type: none"> • Il clima caldo/umido aumenta il ghiaccio e la condensa. Si tratta di una cosa normale e non di un guasto. • Le porte potrebbero essere state lasciate aperte; assicurarsi che sono completamente chiuse. • La porta del freezer rimane aperta per un lungo periodo o le porte sono state aperte di frequente; aprire con minore frequenza.
Umidità al di fuori del frigorifero o tra le porte.
<ul style="list-style-type: none"> • Potrebbe esserci umidità nell'aria; questo è normale nei climi umidi. Al diminuire dell'umidità, la condensa scompare.

Odore cattivo dentro al frigorifero.

- L'interno del frigorifero deve essere pulito. Pulire l'interno con una spugna, acqua tiepida o carbonata.
- Alcuni contenitori o alcuni materiali per la confezione possono provocare odori. Usare contenitori diversi o marche diverse.

La porta non è chiusa.

- Il cibo impedisce la chiusura della porta. Sostituire le confezioni che ostruiscono la porta.
- Il frigorifero non è completamente verticale sul pavimento e rotola quando è spostato leggermente. Regolare le viti di elevazione.
- Il pavimento non è orizzontale o forte. Accertarsi che il pavimento sia in piano, forte e in grado di sopportare il frigorifero.

Gli scomparti frutta e verdura sono bloccati.

- Il cibo potrebbe toccare il tetto del cassetto. Risistemare il cibo nel cassetto.

Παρακαλούμε διαβάστε πρώτα το παρόν εγχειρίδιο!

Αγαπητέ Πελάτη,

Ελπίζουμε ότι το προϊόν σας, που έχει κατασκευαστεί σε μοντέρνες εγκαταστάσεις και έχει ελεγχθεί με τις πιο αυστηρές διαδικασίες ελέγχου ποιότητας, θα σας προσφέρει μια αποδοτική υπηρεσία.

Για το λόγο αυτό, συνιστούμε να διαβάσετε προσεκτικά όλο το εγχειρίδιο οδηγιών του προϊόντος σας πριν το χρησιμοποιήσετε και κατόπιν να το φυλάξετε σε εύκολα προσπελάσιμο σημείο για μελλοντική αναφορά.

Το παρόν εγχειρίδιο

- Θα σας βοηθήσει να χρησιμοποιήσετε τη συσκευή σας με γρήγορο και ασφαλή τρόπο.
- Διαβάστε το εγχειρίδιο πριν την εγκατάσταση και τη χρήση του προϊόντος σας.
- Ακολουθείτε τις οδηγίες και ιδιαίτερα αυτές που αφορούν την ασφάλεια.
- Φυλάξτε το εγχειρίδιο σε εύκολα προσπελάσιμο μέρος γιατί μπορεί να το χρειαστείτε αργότερα.
- Επιπλέον, διαβάστε και την υπόλοιπη τεκμηρίωση που συνοδεύει το προϊόν σας. Έχετε υπόψη σας ότι το παρόν εγχειρίδιο μπορεί να ισχύει και για άλλα μοντέλα.

Σύμβολα και οι περιγραφές τους

Το παρόν εγχειρίδιο οδηγιών περιέχει τα εξής σύμβολα:





Σημαντικές πληροφορίες ή πρακτικές συμβουλές για τη χρήση.



Προειδοποίηση για συνθήκες επικίνδυνες για τη ζωή και την περιουσία.

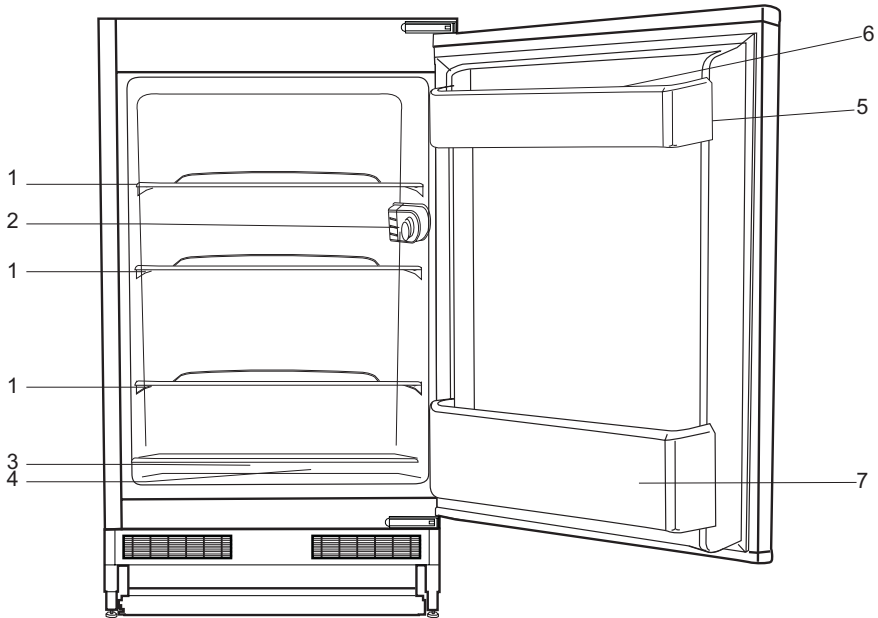


Προειδοποίηση για ηλεκτρική τάση.

 ΠΛΗΡΟΦΟΡΙΕΣ	
	Η πρόσβαση στις πληροφορίες για το μοντέλο όπως είναι αποθηκευμένες στη βάση δεδομένων για τα προϊόντα είναι εφικτή με την είσοδο στον παρακάτω ιστότοπο και την αναζήτηση για το αναγνωριστικό του μοντέλου (*) της συσκευής σας που αναφέρεται στην ετικέτα ενεργειακής σημασίας. https://eprel.ec.europa.eu/

1 Το ψυγείο σας	3	4 Προετοιμασία	14
2 Σημαντικές προειδοποιήσεις ασφαλείας	4	5 Χρήση του ψυγείου σας	15
Προβλεπόμενος σκοπός χρήσης.....	4	Ρύθμιση της θερμοκρασίας λειτουργίας.....	15
Για προϊόντα με διανομέα νερού:.....	6	Η θερμοκρασία λειτουργίας ρυθμίζεται από το θερμοστάτη.	15
Ασφάλεια των παιδιών.....	6	Ελεγχος Και Ρυθμιση Της Θερμοκρασίας	15
Συμμόρφωση με την Οδηγία περί αποβλήτων ηλεκτρικού και ηλεκτρονικού εξοπλισμού (ΑΗΗΕ) και τελική διάθεση του προϊόντος:	7	Διακοπή της λειτουργίας της συσκευής σας	16
Συμμόρφωση με την Οδηγία περί περιορισμού χρήσης ορισμένων επικίνδυνων ουσιών (RoHS):	7	Αποψυξη.....	16
Πληροφορίες σχετικά με τη συσκευασία.....	7	6 Συντήρηση και καθαρισμός	17
Προειδοποίηση HCA (Για συσκευές Ψύξης - Θέρμανσης)	7	Προστασία των πλαστικών επιφανειών	17
Τι πρέπει να κάνετε για εξοικονόμηση ενέργειας	8	7 Συνιστώμενες λύσεις για προβλήματα	18
3 Εγκατάσταση	9		
Σημεία που πρέπει να προσέξετε κατά την εκ νέου μεταφορά του ψυγείου.....	9		
Πριν θέσετε σε λειτουργία το ψυγείο σας	9		
Ηλεκτρική σύνδεση	9		
Διάθεση των υλικών συσκευασίας..	10		
Διάθεση του παλιού σας ψυγείου ...	10		
Τοποθέτηση και εγκατάσταση.....	10		
Τοποθέτηση του ψυγείου κάτω από τον πάγκο και ρύθμιση των ποδιών	11		
Αντικατάσταση της λάμπας φωτισμού	12		
Αντιστροφή της φοράς ανοίγματος των πορτών	13		

1 Το ψυγείο σας



- 1- Ράφια θαλάμου
- 2- Λυχνία κουτιού θερμοστάτη
- 3- Κρέας, λουκάνικα, αλλαντικά, κονσέρβες.
- 4- Φρούτα, λαχανικά, σαλάτες.
- 5- Σωληνάρια, μικρά μπουκάλια και κονσέρβες.
- 6- Θήκη αυγών
- 7- Αναψυκτικά, μεγάλα μπουκάλια.

I Οι εικόνες σ' αυτό το εγχειρίδιο είναι σχηματικές και ενδέχεται να μην ανταποκρίνονται ακριβώς στο προϊόν σας. Αν ορισμένα εξαρτήματα δεν περιλαμβάνονται στο προϊόν που έχετε προμηθευτεί, τότε ισχύουν για άλλα μοντέλα.

2 Σημαντικές προειδοποιήσεις ασφαλείας

Παρακαλούμε να μελετήσετε τις πληροφορίες που ακολουθούν. Η μη τήρηση αυτών των πληροφοριών μπορεί να γίνει αιτία τραυματισμών ή υλικών ζημιών. Αν δεν το κάνετε αυτό, θα καταστεί άκυρη κάθε εγγύηση και κάθε δέσμευση περί αξιοπιστίας.

Ο χρόνος ωφέλιμης ζωής της μονάδας που προμηθευτήκατε είναι 10 έτη. Αυτή είναι η περίοδος διατήρησης των ανταλλακτικών που απαιτούνται για τη λειτουργία της μονάδας σύμφωνα με τα περιγραφόμενα.

Προβλεπόμενος σκοπός χρήσης

Το προϊόν αυτό προορίζεται να χρησιμοποιείται

- σε εσωτερικούς χώρους και κλειστές περιοχές όπως είναι τα σπίτια
- σε κλειστούς χώρους εργασίας όπως καταστήματα και γραφεία
- σε κλειστούς χώρους ενδιάτησης όπως αγροτόσπιτα, ξενοδοχεία, πανσιόν.
 - Το προϊόν αυτό δεν πρέπει να χρησιμοποιείται σε εξωτερικό χώρο.

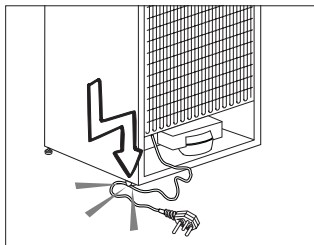
Γενικές οδηγίες ασφαλείας

- Όταν θέλετε να πετάξετε ως άχρηστο ή να ανακυκλώσετε το προϊόν, συνιστούμε για τις απαιτούμενες πληροφορίες να συμβουλευτείτε το εξουσιοδοτημένο σέρβις ή τους αρμόδιους φορείς.
- Να συμβουλευέστε το εξουσιοδοτημένο σέρβις για όλες τις ερωτήσεις και προβλήματα σχετικά με το ψυγείο. Μην επεμβαίνετε και μην αφήνετε οποιονδήποτε άλλον να επέμβει στο ψυγείο χωρίς να ειδοποιήσετε το εξουσιοδοτημένο σέρβις.

- Για προϊόντα με χώρο κατάψυξης: Μην καταναλώνετε παγωτό και παγοκύβους αμέσως μόλις τα βγάλετε από το χώρο της κατάψυξης! (Αυτό μπορεί να προκαλέσει κρουσπαγήματα στο στόμα σας).
- Για προϊόντα με χώρο κατάψυξης: Μην τοποθετείτε στην κατάψυξη ποτά ή αναψυκτικά σε μπουκάλια ή μεταλλικά κουτιά. Αλλιώς, υπάρχει κίνδυνος να σκάσουν.
- Μην αγγίζετε τα παγωμένα τρόφιμα με τα χέρια, γιατί μπορεί να κολλήσουν στο χέρι σας.
- Αποσυνδέετε το ψυγείο από την πρίζα πριν τον καθαρισμό ή την απόψυξη.
- Δεν πρέπει να χρησιμοποιείτε ποτέ ατμό και ατμοποιημένα καθαριστικά υλικά στις διαδικασίες καθαρισμού και απόψυξης του ψυγείου σας. Σε τέτοιες περιπτώσεις, ο ατμός μπορεί να έλθει σε επαφή με τα ηλεκτρικά εξαρτήματα και να γίνει η αιτία βραχυκυκλώματος ή ηλεκτροπληξίας.
- Ποτέ μη χρησιμοποιείτε εξαρτήματα του ψυγείου σας, όπως η πόρτα, ως μέσο στήριξης ή ως σκαλοπάτι.
- Μη χρησιμοποιείτε ηλεκτρικές συσκευές στο εσωτερικό του ψυγείου.
- Μην προξενήσετε ζημιά με εργαλεία διάτρησης ή κοπής στα μέρη της συσκευής όπου κυκλοφορεί το ψυκτικό μέσο. Το ψυκτικό μέσο που μπορεί να εκτιναχθεί αν τρυπήσουν οι δίοδοι αερίου του εξαμιστήρα, των επεκτάσεων σωλήνων ή των επιφανειακών επικαλύψεων, προκαλεί ερεθισμό στο δέρμα και τραυματισμό στα μάτια.
- Μην καλύπτετε και μην φράσσετε με οποιονδήποτε υλικό τα ανοίγματα αερισμού του ψυγείου σας.

- Οι επισκευές σε ηλεκτρικές συσκευές πρέπει να διεξάγονται μόνο από εξουσιοδοτημένο προσωπικό. Οι επισκευές που γίνονται από αναρμόδια άτομα δημιουργούν κινδύνους για το χρήστη.
- Σε περίπτωση οποιασδήποτε βλάβης ή κατά τη διάρκεια των εργασιών συντήρησης ή επισκευών, να αποσυνδέετε το ψυγείο από την παροχή ηλεκτρικού ρεύματος είτε απενεργοποιώντας τον αντίστοιχο ασφαλειοδιακόπτη είτε βγάζοντας το φως από την πρίζα.
- Για την αποσύνδεση του φως μην τραβάτε το καλώδιο.
- Τοποθετείτε τα ποτά που έχουν σχετικά μεγάλη περιεκτικότητα σε οινόπνευμα σφικτά κλεισμένα και σε κατακόρυφη θέση.
- Ποτέ μην αποθηκεύετε στο ψυγείο μπουκάλια στρέι που περιέχουν εύφλεκτες και εκρηκτικές ουσίες.
- Μη χρησιμοποιείτε μηχανικές διατάξεις ή άλλα μέσα για να επιταχύνετε τη διαδικασία της απόψυξης, εκτός από τα μέσα που συνιστά ο κατασκευαστής.
- Το προϊόν αυτό δεν προορίζεται για χρήση από άτομα με σωματικά, αισθητηριακά ή διανοητικά προβλήματα ή από άτομα με έλλειψη εμπειρίας (περιλαμβανομένων παιδιών), εκτός αν τα άτομα βρίσκονται υπό την επίβλεψη ατόμου που θα είναι υπεύθυνο για την ασφάλειά τους ή που θα τα καθοδηγήσει όπως απαιτείται για τη χρήση του προϊόντος.
- Μη χρησιμοποιήσετε το ψυγείο αν έχει υποστεί βλάβη ή ζημιά. Αν έχετε οποιαδήποτε αμφιβολία συμβουλευτείτε τον ανπιπρόσωπο σέρβις.
- Η ηλεκτρική ασφάλεια του ψυγείου σας θα είναι εγγυημένη μόνον αν το σύστημα γείωσης του σπιτιού σας συμμορφώνεται με τα ισχύοντα πρότυπα.
- Η έκθεση του προϊόντος σε βροχή, χιόνι, ήλιο και άνεμο δημιουργεί κινδύνους σε σχέση με την ασφάλεια με το ηλεκτρικό ρεύμα.
- Αν υπάρχει ζημιά στο καλώδιο ρεύματος, για την αποφυγή κινδύνου επικοινωνήστε με το εξουσιοδοτημένο σέρβις.
- Σε καμία περίπτωση μη συνδέσετε το ψυγείο στην πρίζα κατά τη διάρκεια της εγκατάστασης. Αλλιώς, μπορεί να δημιουργηθεί κίνδυνος θανάτου ή σοβαρού τραυματισμού.
- Το ψυγείο αυτό προορίζεται αποκλειστικά για τη φύλαξη τροφίμων. Δεν πρέπει να χρησιμοποιηθεί για οποιονδήποτε άλλο σκοπό.
- Η ετικέτα τεχνικών προδιαγραφών βρίσκεται πάνω στο αριστερό τοίχωμα στο εσωτερικό του ψυγείου.
- Ποτέ μη συνδέσετε το ψυγείο σας σε συστήματα εξοικονόμησης ενέργειας, γιατί αυτά μπορεί να προκαλέσουν ζημιά στο ψυγείο.
- Αν το ψυγείο σας διαθέτει μπλε φως, μην κοιτάζετε το μπλε φως μέσω οπτικών διατάξεων.
- Για ψυγεία με μη αυτόματο σύστημα ελέγχου, μετά από διακοπή ρεύματος περιμένετε τουλάχιστον 5 λεπτά πριν θέσετε πάλι το ψυγείο σε λειτουργία.
- Σε περίπτωση μεταβίβασης, το παρόν εγχειρίδιο χρήσης θα πρέπει να παραδοθεί στον καινούριο ιδιοκτήτη του προϊόντος.
- Αποφύγετε την πρόκληση ζημιάς στο καλώδιο ρεύματος όταν μεταφέρετε το ψυγείο. Αν το καλώδιο τσακίσει μπορεί να προκληθεί πυρκαγιά. Ποτέ μην τοποθετείτε βαριά αντικείμενα πάνω στο καλώδιο ρεύματος. Μην αγγίζετε το φως

με υγρά χέρια όταν συνδέετε το προϊόν στην πρίζα.



- Μη συνδέσετε το ψυγείο σε πρίζα που δεν είναι καλά στερεωμένη στη θέση της.
- Για λόγους ασφαλείας, δεν πρέπει ποτέ να πισιλίζετε νερό απ' ευθείας σε εσωτερικά ή εξωτερικά μέρη του προϊόντος.
- Για να αποφύγετε τον κίνδυνο πυρκαγιάς και έκρηξης, μην ψεκάζετε κοντά στο ψυγείο υλικά που περιέχουν εύφλεκτα αέρια όπως προπύριο κ.λ.π.
- Ποτέ μην τοποθετείτε πάνω στο ψυγείο δοχεία που περιέχουν νερό, γιατί μπορεί να προκληθεί ηλεκτροπληξία ή πυρκαγιά.
- Μην υπερφορτώνετε το ψυγείο με υπερβολική ποσότητα τροφίμων. Αν υπερφορτωθεί το ψυγείο, όταν ανοίγετε την πόρτα τα τρόφιμα μπορεί να πέσουν και να σας κτυπήσουν ή να προξενήσουν ζημιά στο ψυγείο. Ποτέ μην τοποθετείτε αντικείμενα πάνω στο ψυγείο. Διαφορετικά μπορεί να πέσουν όταν ανοίγετε ή κλείνετε την πόρτα του ψυγείου.
- Επειδή για τη φύλαξή τους απαιτούνται ακριβείς συνθήκες θερμοκρασίας, δεν πρέπει να φυλάσσονται στο ψυγείο εμβόλια, φάρμακα ευαίσθητα στη θερμοκρασία, επιστημονικά υλικά κλπ.
- Το ψυγείο θα πρέπει να αποσυνδέεται από το ρεύμα αν δεν πρόκειται να χρησιμοποιηθεί για μεγάλο χρονικό διάστημα. Ένα ενδεχόμενο πρόβλημα στο καλώδιο ρεύματος μπορεί να προκαλέσει πυρκαγιά.

- Τα άκρα του φιν ρευματοληψίας πρέπει να καθαρίζονται τακτικά, αλλιώς μπορεί να προκληθεί πυρκαγιά.
- Τα άκρα του φιν πρέπει να καθαρίζονται τακτικά με ένα στεγνό πανί, αλλιώς μπορεί να προκληθεί πυρκαγιά.
- Το ψυγείο μπορεί να μετακινηθεί αν τα ρυθμιζόμενα πόδια δεν έχουν ρυθμιστεί ώστε να έχουν σταθερή επαφή με το δάπεδο. Η σωστή στερέωση των ρυθμιζόμενων ποδιών στο δάπεδο μπορεί να αποτρέψει τη μετακίνηση του ψυγείου.
- Όταν μεταφέρετε το ψυγείο μην το κρατάτε από τη λαβή της πόρτας. Διαφορετικά, αυτή μπορεί να σπάσει.
- Όταν χρειαστεί να εγκαταστήσετε το ψυγείο σας δίπλα σε άλλο ψυγείο ή καταψύκτη, η απόσταση ανάμεσα στις συσκευές θα πρέπει να είναι τουλάχιστον 8 εκ. Διαφορετικά, μπορεί να σχηματιστεί υγρασία στα γειτονικά πλευρικά τοιχώματα.

Για προϊόντα με διανομέα νερού:

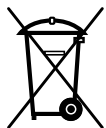
Η πίεση του νερού δικτύου δεν θα πρέπει να είναι μικρότερη από 1 bar. Η πίεση του νερού δικτύου δεν θα πρέπει να είναι μεγαλύτερη από 8 bar.

- Χρησιμοποιείτε μόνο πόσιμο νερό.

Ασφάλεια των παιδιών

- Αν το ψυγείο σας διαθέτει κλειδαριά, πρέπει να φυλάτε το κλειδί μακριά από παιδιά.
- Τα παιδιά πρέπει να βρίσκονται υπό επίβλεψη ώστε να μην επεμβαίνουν στο προϊόν.

Συμμόρφωση με την Οδηγία περί αποβλήτων ηλεκτρικού και ηλεκτρονικού εξοπλισμού (ΑΗΗΕ) και τελική διάθεση του προϊόντος:



Το προϊόν αυτό συμμορφώνεται με την Οδηγία της Ευρωπαϊκής Ένωσης περί αποβλήτων ηλεκτρικού και ηλεκτρονικού εξοπλισμού (ΑΗΗΕ) (2012/19/ΕΕ). Το προϊόν φέρει σύμβολο ταξινόμησης

για απόβλητα ηλεκτρικού και ηλεκτρονικού εξοπλισμού (ΑΗΗΕ).

Το προϊόν αυτό έχει κατασκευαστεί με εξαρτήματα και υλικά υψηλής ποιότητας τα οποία μπορούν να επαναχρησιμοποιηθούν και είναι κατάλληλα για ανακύκλωση. Μην απορρίψετε το απόβλητο προϊόν μαζί με τα κανονικά οικιακά και άλλα απορρίμματα στο τέλος της ωφέλιμης ζωής του. Παραδώστε το σε κέντρο συλλογής για την ανακύκλωση ηλεκτρικού και ηλεκτρονικού εξοπλισμού. Ζητήστε πληροφορίες από τις τοπικές σας αρχές σχετικά με αυτά τα κέντρα συλλογής.

Συμμόρφωση με την Οδηγία περί περιορισμού χρήσης ορισμένων επικίνδυνων ουσιών (RoHS):

Το προϊόν που έχετε προμηθευτεί συμμορφώνεται με την Οδηγία της Ευρωπαϊκής ένωσης περί περιορισμού χρήσης ορισμένων επικίνδυνων ουσιών (RoHS) (2011/65/ΕΕ). Δεν περιέχει επικίνδυνα και απαγορευμένα υλικά που ορίζονται στην Οδηγία.

Πληροφορίες σχετικά με τη συσκευασία

Τα υλικά συσκευασίας του προϊόντος είναι κατασκευασμένα από ανακυκλώσιμα υλικά σύμφωνα με τους Εθνικούς μας περιβαλλοντικούς κανονισμούς. Μην απορρίπτετε τα υλικά συσκευασίας μαζί με οικιακά ή άλλα απόβλητα. Παραδώστε τα στα σημεία συλλογής υλικών συσκευασίας που έχουν οριστεί από τις τοπικές αρχές.

Προειδοποίηση ΗΣΑ (Για συσκευές Ψύξης - Θέρμανσης)

Αν το ψυκτικό σύστημα της συσκευής σας περιέχει R600a:

Το αέριο αυτό είναι εύφλεκτο. Για το λόγο αυτό, προσέχετε να μην προκληθεί ζημιά στο ψυκτικό σύστημα και τις σωληνώσεις του κατά τη χρήση και τη μεταφορά της συσκευής. Σε περίπτωση ζημιάς, κρατήστε τη συσκευή σας μακριά από ενδεχόμενες πηγές φωτιάς οι οποίες μπορούν να κάνουν το προϊόν να πιάσει φωτιά και αερίστε το χώρο στον οποίο είναι τοποθετημένη η μονάδα.

Αγνοήστε αυτή την προειδοποίηση αν το ψυκτικό σύστημα της συσκευής σας περιέχει R134a.

Ο τύπος αερίου που χρησιμοποιείται στο προϊόν αναφέρεται στην πινακίδα στοιχείων η οποία βρίσκεται πάνω στο αριστερό τοίχωμα στο εσωτερικό του ψυγείου.

Σε καμία περίπτωση μην πετάξετε το προϊόν σε φωτιά.

Τι πρέπει να κάνετε για εξοικονόμηση ενέργειας

- Μην αφήνετε τις πόρτες του ψυγείου σας ανοικτές για μεγάλο χρονικό διάστημα.
- Μην τοποθετείτε ζεστά φαγητά ή ποτά στο ψυγείο σας.
- Μην υπερφορτώνετε το ψυγείο σας, ώστε να μην εμποδίζεται η κυκλοφορία αέρα στο εσωτερικό του.
- Μην τοποθετείτε το ψυγείο σας σε απ' ευθείας ηλιακό φως ή κοντά σε συσκευές που εκπέμπουν θερμότητα όπως φούρνους, πλυντήρια πιάτων ή σώματα θέρμανσης.
- Φροντίζετε να διατηρείτε τα τρόφιμα σε κλειστά δοχεία.
- Για προϊόντα με χώρο κατάψυξης: Μπορείτε να φυλάξετε τη μέγιστη ποσότητα τροφίμων στην κατάψυξη όταν αφαιρέσετε το ράφι ή το συρτάρι της κατάψυξης. Η αναφερόμενη τιμή κατανάλωσης ενέργειας για το ψυγείο σας προσδιορίστηκε ενώ είχε αφαιρεθεί το ράφι ή το συρτάρι της κατάψυξης και με το μέγιστο φορτίο τροφίμων. Δεν υπάρχει πρόβλημα από τη χρήση ραφίου ή συρταριού ανάλογα με τα σχήματα και τα μεγέθη των τροφίμων που πρόκειται να καταψυχθούν.
- Η απόψυξη των κατεψυγμένων τροφίμων στο χώρο συντήρησης θα παρέχει και εξοικονόμηση ενέργειας και καλύτερη διατήρηση της ποιότητας των τροφίμων.

3 Εγκατάσταση

⚠ Παρακαλούμε να θυμάστε ότι δεν θα θεωρείται υπεύθυνος ο κατασκευαστής αν δεν τηρηθούν οι πληροφορίες που δίνονται στο εγχειρίδιο οδηγιών.

Σημεία που πρέπει να προσέξετε κατά την εκ νέου μεταφορά του ψυγείου

1. Θα πρέπει να αδειάσετε και να καθαρίσετε το ψυγείο σας πριν από οποιαδήποτε μεταφορά.
2. Πριν τοποθετήσετε πάλι το ψυγείο στη συσκευασία του, τα ράφια, τα αξεσουάρ, το συρτάρι λαχανικών κλπ. θα πρέπει να στερεωθούν με χρήση κολλητικής ταινίας για προστασία από τα τσαντάγματα.
3. Η συσκευασία θα πρέπει να ασφαλιστεί με ταινίες κατάλληλου πάχους και γερά σχονιά και θα πρέπει να ακολουθούνται οι κανόνες μεταφοράς που είναι τυπωμένοι στο κιβώτιο.

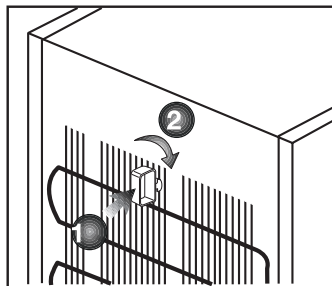
Μην ξεχνάτε...

Κάθε υλικό που ανακυκλώνεται είναι μια απαραίτητη πηγή υλικών προς όφελος της φύσης και των εθνικών μας πόρων.

Αν επιθυμείτε να συμβάλετε στην ανακύκλωση των υλικών συσκευασίας, μπορείτε να πάρετε περισσότερες πληροφορίες από τους περιβαλλοντικούς φορείς ή τις τοπικές αρχές.

Πριν θέσετε σε λειτουργία το ψυγείο σας

1. Είναι το εσωτερικό του ψυγείου στεγνό και μπορεί ο αέρας να κυκλοφορεί ανεμπόδιστα στο πίσω του μέρος;
2. Εισάγετε τις 2 πλαστικές σφηνές στο πίσω σύστημα αερισμού, όπως δείχνει η ακόλουθη εικόνα. Οι πλαστικές σφηνές θα παρέχουν την απαιτούμενη απόσταση ανάμεσα στο ψυγείο σας και τον τοίχο ώστε να επιτρέπεται η κυκλοφορία του αέρα.



3. Καθαρίστε το εσωτερικό του ψυγείου όπως συνιστάται στην ενότητα "Συντήρηση και καθαρισμός".
4. Συνδέστε το ψυγείο στην πρίζα στον τοίχο. Όταν ανοιχτεί η πόρτα, το εσωτερικό φως στο χώρο συντήρησης θα ανάψει.
5. Θα ακούσετε ένα θόρυβο καθώς ξεκινά η λειτουργία του συμπιεστή. Το υγρό και τα αέρια που βρίσκονται στο κλειστό κύκλωμα ψύξης μπορεί επίσης να προκαλέσουν θόρυβο, ακόμα και όταν ο συμπιεστής δεν λειτουργεί, πράγμα που είναι φυσιολογικό.
6. Οι μπροστινές ακμές του ψυγείου μπορεί να είναι θερμές στο άγγιγμα. Αυτό είναι φυσιολογικό. Οι περιοχές αυτές έχουν σχεδιαστεί να είναι θερμές ώστε να αποφεύγεται η συμπύκνωση.

Ηλεκτρική σύνδεση

Συνδέστε τη συσκευή σας σε γειωμένη πρίζα η οποία προστατεύεται από ασφάλεια κατάλληλης ονομαστικής τιμής ρεύματος.

Σημαντική παρατήρηση:

- Η σύνδεση πρέπει να συμμορφώνεται με τους εθνικούς κανονισμούς.
- Το φως του καλωδίου ρεύματος πρέπει να είναι εύκολα προσπελάσιμο μετά την εγκατάσταση.

- Η καθοριζόμενη ηλεκτρική τάση πρέπει να είναι ίδια με την τάση ρεύματος του δικτύου σας.
 - Δεν πρέπει να χρησιμοποιούνται καλώδια προέκτασης και πολύπριζα για τη σύνδεση στο ρεύμα.
- ⚠** Αν ένα καλώδιο ρεύματος έχει υποστεί ζημιά, αυτό πρέπει να αντικατασταθεί από αδειούχο ειδικό τεχνικό.
- ⚠** Δεν επιτρέπεται η λειτουργία της συσκευής πριν την επισκευή! Υπάρχει κίνδυνος ηλεκτροπληξίας!

Διάθεση των υλικών συσκευασίας

Τα υλικά συσκευασίας μπορεί να είναι επικίνδυνα για τα παιδιά. Κρατάτε τα υλικά συσκευασίας μακριά από παιδιά ή πετάξτε τα αφού τα διαχωρίσετε ανάλογα με τις οδηγίες για απόβλητα. Μην τα πετάξετε μαζί με τα κοινά οικιακά απορρίμματα.

Η συσκευασία του ψυγείου σας έχει παραχθεί από ανακυκλώσιμα υλικά.

Διάθεση του παλιού σας ψυγείου

Απορρίψτε το παλιό σας ψυγείο με τρόπο φιλικό προς το περιβάλλον.

- Σχετικά με τον τρόπο απόρριψης του ψυγείου σας μπορείτε να συμβουλευτείτε τον εξουσιοδοτημένο έμπορο που συνεργάζεστε ή τις δημοτικές σας αρχές.

Πριν πετάξετε το ψυγείο σας, κόψτε το καλώδιο ρεύματος, και, αν υπάρχουν κλειδαριές σε πόρτες, καταστήστε τις μη λειτουργικές, για την προστασία των παιδιών από οποιονδήποτε κίνδυνο.

Τοποθέτηση και εγκατάσταση

⚠ Αν η πόρτα εισόδου του χώρου όπου θα τοποθετηθεί το ψυγείο δεν είναι αρκετά πλατιά για να περάσει το ψυγείο, τότε καλέστε το εξουσιοδοτημένο σέρβις για να αφαιρέσει την πόρτα του ψυγείου σας και να το περάσει μέσα από την πόρτα με το πλάι.

1. Εγκαταστήστε το ψυγείο σε θέση που προσφέρει ευκολία στη χρήση.

2. Κρατήστε το ψυγείο σας μακριά από πηγές θερμότητας, μέρη με υγρασία και από απ' ευθείας ηλιακό φως.

3. Πρέπει να υπάρχει επαρκής κυκλοφορία αέρα γύρω από το ψυγείο σας για να επιτυγχάνεται αποδοτική λειτουργία. Αν το ψυγείο πρέπει να τοποθετηθεί σε εσοχή στον τοίχο, θα πρέπει να υπάρχει ελάχιστη απόσταση 5 εκ. από το ταβάνι και 5 εκ. από τον τοίχο. **Αν το πάτωμα είναι καλυμμένο με χαλί, το προϊόν σας θα πρέπει να ανυψωθεί κατά 2,5 εκ. από το δάπεδο.**

4. Τοποθετήστε το ψυγείο σας σε δάπεδο με επίπεδη επιφάνεια για να αποφευχθούν τα τραντάγματα.

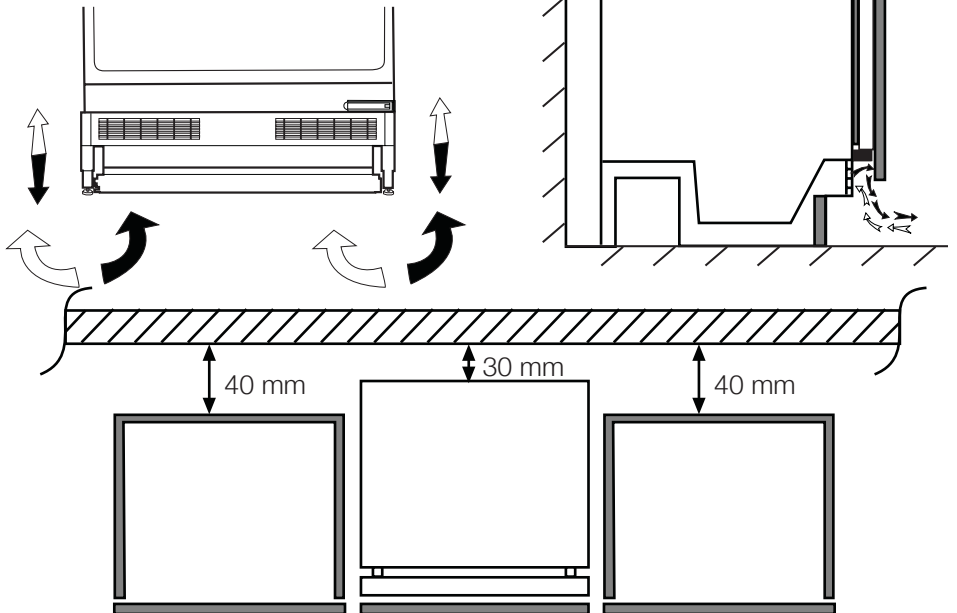
Τοποθέτηση του ψυγείου κάτω από τον πάγκο και ρύθμιση των ποδιών

Όταν τοποθετείτε το ψυγείο σας στη θέση του, η απόσταση ανάμεσα στο προϊόν και στον τοίχο πρέπει να είναι τουλάχιστον 30 mm., όπως φαίνεται στην εικόνα.

Τα κανάλια αναρρόφησης αέρα δεν πρέπει να φράζονται, για να μη μειωθεί η απόδοση του ψυγείου σας. (140 cm²)

Αν το ψυγείο σας δεν είναι σταθερό:

Μπορείτε να σταθεροποιήσετε το ψυγείο σας περιστρέφοντας τα μπροστινά πόδια του, όπως δείχνει η εικόνα. Η γωνία όπου βρίσκεται το πόδι χαμηλώνει όταν περιστρέψετε το πόδι στην κατεύθυνση του μαύρου βέλους και ανυψώνεται όταν το γυρίζετε στην αντίθετη κατεύθυνση. Θα είναι ευκολότερο για σας αν κάποιος σας βοηθήσει ανυψώνοντας λίγο το ψυγείο στη διάρκεια αυτής της διαδικασίας.



Αντικατάσταση της λάμπας φωτισμού

Για αλλαγή της λάμπας φωτισμού του ψυγείου σας, καλέστε το τοπικό σας εξουσιοδοτημένο σέρβις.

Ο λαμπτήρας (οι λαμπτήρες) που χρησιμοποιεί αυτή η συσκευή δεν είναι κατάλληλος(-οι) για φωτισμό των οικιακών χώρων. Ο σκοπός αυτού του λαμπτήρα είναι να βοηθά το χρήστη να βρίσκει με ασφάλεια και άνεση τα τρόφιμα στη συντήρηση/κατάψυξη.

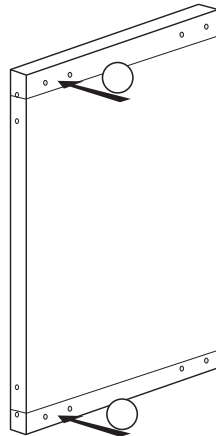
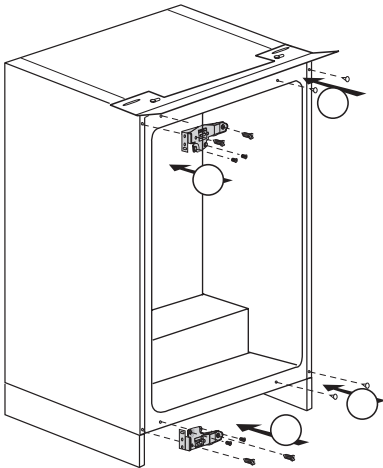
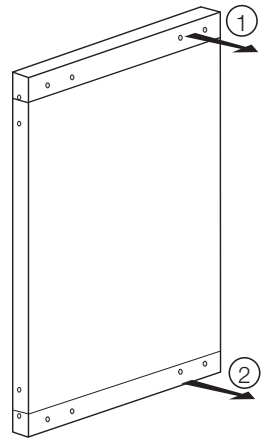
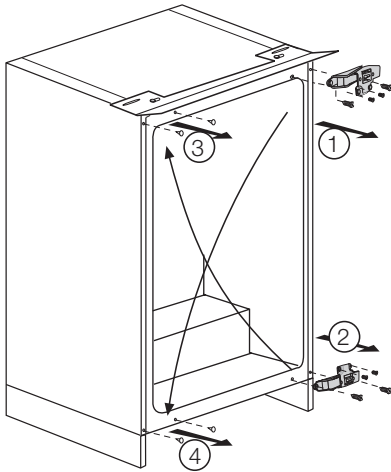
Οι λάμπες που χρησιμοποιούνται σε αυτή τη συσκευή πρέπει να είναι ανθεκτικές σε ακραίες φυσικές συνθήκες, όπως θερμοκρασίες κάτω από -20 °C.

Αυτό το προϊόν είναι εξοπλισμένο με φωτεινή πηγή ενεργειακής κλάσης "G".

Η φωτεινή πηγή στο προϊόν αυτό θα πρέπει να αντικαθίσταται μόνο από επαγγελματίες επισκευαστές.

Αντιστροφή της φοράς ανοίγματος των πορτών

Προχωρήστε σύμφωνα με την σειρά των αριθμών

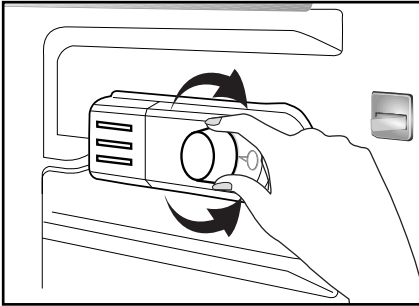


4 Προετοιμασία

- i** Το ψυγείο σας θα πρέπει να εγκατασταθεί σε απόσταση τουλάχιστον 30 εκ. από πηγές θερμότητας όπως εστίες μαγειρέματος, φούρνους, σώματα κεντρικής θέρμανσης και σόμπες και τουλάχιστον 5 εκ. μακριά από ηλεκτρικούς φούρνους και δεν θα πρέπει να τοποθετείται σε μέρη όπου δέχεται απ' ευθείας ηλιακή ακτινοβολία.
- i** Η θερμοκρασία περιβάλλοντος του δωματίου που τοποθετείτε το ψυγείο σας θα πρέπει να είναι τουλάχιστον 10°C. Η λειτουργία του ψυγείου σας σε πιο κρύες συνθήκες από αυτές δεν συνιστάται από την άποψη της απόδοσής του.
- i** *Παρακαλούμε να φροντίζετε να διατηρείτε το εσωτερικό του ψυγείου σας σχολαστικά καθαρό.*
- i** *Αν πρέπει να εγκατασταθούν δύο ψυγεία το ένα δίπλα στο άλλο, θα πρέπει να υπάρχει μεταξύ τους απόσταση τουλάχιστον 2 εκ.*
- i** *Όταν θέσετε το ψυγείο σε λειτουργία για πρώτη φορά, παρακαλούμε τηρείτε τις ακόλουθες οδηγίες κατά τις αρχικές έξι ώρες.*
 - *Η πόρτα δεν θα πρέπει να ανοίγει συχνά.*
 - *Το ψυγείο θα πρέπει να λειτουργήσει κενό, χωρίς τρόφιμα στο εσωτερικό του.*
 - *Μην αποσυνδέσετε το ψυγείο σας από το ρεύμα. Αν συμβεί μια ανεξέλεγκτη διακοπή ρεύματος, δείτε τις προειδοποιήσεις στην ενότητα "Συνιστώμενες λύσεις για προβλήματα".*
- i** *Η αρχική συσκευασία και τα αφρώδη υλικά θα πρέπει να φυλαχτούν για μελλοντικές μεταφορές ή μετακόμιση.*

5 Χρήση του ψυγείου σας

Ρύθμιση της θερμοκρασίας λειτουργίας



Η θερμοκρασία λειτουργίας ρυθμίζεται από το θερμοστάτη.



1 = Χαμηλότερη δυνατή ρύθμιση ψύξης (Η πιο ζεστή ρύθμιση)

5 = Υψηλότερη δυνατή ρύθμιση ψύξης (Η πιο κρύα ρύθμιση)

(ή)

Min. = Χαμηλότερη δυνατή ρύθμιση ψύξης

(Η πιο ζεστή ρύθμιση)

Max. = Υψηλότερη δυνατή ρύθμιση ψύξης

(Η πιο κρύα ρύθμιση)

Η μέση θερμοκρασία στο εσωτερικό του ψυγείου θα πρέπει να είναι περίπου +5°C.

Επιλέγετε τη ρύθμιση ανάλογα με την επιθυμητή θερμοκρασία.

Παρακαλούμε έχετε υπόψη σας ότι θα υπάρχουν διαφορές θερμοκρασίας στην περιοχή ψύξης.

Η πιο ψυχρή περιοχή είναι αμέσως επάνω από το διαμέρισμα λαχανικών.

Η εσωτερική θερμοκρασία εξαρτάται από τη θερμοκρασία περιβάλλοντος, το πόσο συχνά ανοίγει η πόρτα και την ποσότητα των τροφίμων που περιέχει το ψυγείο.

Το συχνό άνοιγμα της πόρτας προκαλεί αύξηση της εσωτερικής θερμοκρασίας.

Για το λόγο αυτό συνιστούμε να κλείνετε την πόρτα όσο το δυνατόν συντομότερα μετά τη χρήση.

Ελεγχος Και Ρυθμιση Της Θερμοκρασίας

Οι θερμοκρασίες λειτουργίας ελέγχονται μέσω του θερμοστάτη (βλ. διάγραμμα). Ρύθμιση μπορεί να γίνει από τις τιμές 1 έως 5, που είναι η πιο κρύα ρύθμιση. Όταν η συσκευή ενεργοποιηθεί για πρώτη φορά, ο θερμοστάτης θα πρέπει να ρυθμιστεί έτσι ώστε μετά από 24 ώρες η μέση θερμοκρασία στο ψυγείο να μην είναι υψηλότερη από +5°C (+41°F).

Συνιστούμε να ρυθμίσετε το θερμοστάτη στο μέσο της απόστασης ανάμεσα στις ρυθμίσεις 1 και 5 και να παρακολουθήσετε ότι η συσκευή διατηρεί την επιθυμητή θερμοκρασία. Ρυθμίζοντας κοντά στο 5 θα επιτύχετε χαμηλότερη θερμοκρασία και αντιστρόφως. Ορισμένα τμήματα του ψυγείου μπορεί να είναι πιο κρύα ή πιο ζεστά (όπως το συρτάρι λαχανικών και το πάνω μέρος του θαλάμου) και αυτό είναι κανονικό.

Σε θερμοκρασίες περιβάλλοντος πάνω από 25°C (77°F), ειδικά το καλοκαίρι, γυρίστε το περιστροφικό κουμπί θερμοστάτη προς το 5. Σε θερμοκρασίες περιβάλλοντος κάτω από 25°C (77°F) γυρίστε το περιστροφικό κουμπί θερμοστάτη στο μέσο της κλίμακας.

Το συχνό άνοιγμα της πόρτας προκαλεί αύξηση της εσωτερικής θερμοκρασίας, γι' αυτό κλείνετε την πόρτα όσο το δυνατόν πιο σύντομα μετά τη χρήση.

5

-

4

-

3

-

2

-

1

-

0

Σε περίπτωση προσωρινού σχηματισμού πάγου στο χώρο συντήρησης, μειώστε τη ρύθμιση του θερμοστάτη στο 1, παρακολουθώντας συγχρόνως ότι η θερμοκρασία στη συντήρηση είναι το πολύ +5 βαθμοί C (41 βαθμοί F). Μόλις πάψει να εμφανίζεται ο πάγος και η συσκευή αρχίσει πάλι την αυτόματη απόψυξη όπως είναι το κανονικό, τότε μπορείτε να αυξήσετε τη ρύθμιση του θερμοστάτη, αν απαιτείται.

Διακοπή της λειτουργίας της συσκευής σας

Αν ο θερμοστάτης της συσκευής σας διαθέτει ρύθμιση "0":

- Μπορείτε να διακόψετε τη λειτουργία της συσκευής σας ρυθμίζοντας το κουμπί του θερμοστάτη στη θέση "0" (μηδέν). Η συσκευή σας δεν θα αρχίσει να λειτουργεί αν δεν επαναφέρετε το κουμπί θερμοστάτη στη θέση "1" ή μία από τις άλλες θέσεις.

Αν ο θερμοστάτης της συσκευής σας διαθέτει ρύθμιση "min":

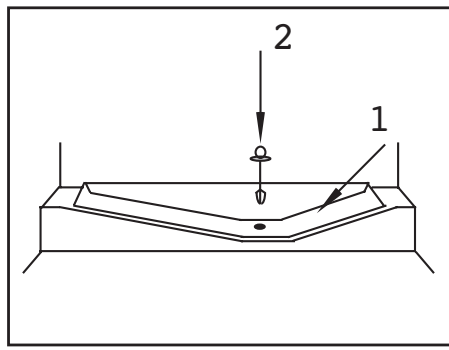
- Αποσυνδέστε τη συσκευή από την πρίζα όταν θέλετε να διακόψετε τη λειτουργία της.

Απόψυξη

Το ψυγείο αυτό με χώρο συντήρησης αποψύχεται αυτόματα. Το νερό από την απόψυξη κυλάει στο σωλήνα αποστράγγισης μέσω ενός καναλιού συλλογής και εξατμίζεται σε ειδικό δοχείο (1) στο πίσω μέρος της συσκευής (βλ. διάγραμμα).

Κατά την απόψυξη, ενδέχεται να σχηματιστούν σταγονίδια νερού στο πίσω τοίχωμα του ψυγείου όπου βρίσκεται μη εμφανής συμπτυκνωτής. Ορισμένα σταγονίδια μπορεί να παραμείνουν πάνω στην εσωτερική επένδυση και να παγώσουν πάλι μετά την ολοκλήρωση της απόψυξης. Μη χρησιμοποιείτε μπετό ή αιχμηρά αντικείμενα όπως μαχαίρια ή πιρούνια για να αφαιρέσετε τα σταγονίδια που έχουν ξαναπαγώσει.

Αν, οποιαδήποτε στιγμή, το νερό της απόψυξης δεν αποστραγγίζεται από το κανάλι συλλογής, ελέγξτε μήπως ο σωλήνας αποστράγγισης έχει αποφραχθεί από υπολείμματα τροφίμων. Μπορείτε να καθαρίσετε το σωλήνα αποστράγγισης σπρώχνοντας το παρεχόμενο ειδικό πλαστικό έμβολο προς τα κάτω στο σωλήνα αποστράγγισης (2).



6 Συντήρηση και καθαρισμός

- ⚠ Ποτέ μη χρησιμοποιήσετε βενζίνη, βενζόλιο ή παρόμοια υλικά για τον καθαρισμό.
- ⚠ Συνιστούμε να αποσυνδέετε τη συσκευή από την πρίζα πριν τον καθαρισμό.
- ❗ Ποτέ μη χρησιμοποιείτε για τον καθαρισμό οποιοδήποτε αιχμηρό όργανο που χαράζει, σαπουνί, οικιακά καθαριστικά, απορρυπαντικά και γυαλιστικά κεριού.
- ❗ Για να καθαρίσετε το περίβλημα του ψυγείου σας, χρησιμοποιήστε χλιαρό νερό και κατόπιν σκουπίστε το για να στεγνώσει.
- ❗ Για να καθαρίσετε το εσωτερικό, χρησιμοποιήστε πανί που έχει υγρανθεί ελαφρά σε διάλυμα από μια κουταλιά του γλυκού μαγειρικής σόδας σε περίπου μισό λίτρο νερού. Κατόπιν σκουπίστε τις επιφάνειες για να στεγνώσουν.
- ⚠ Φροντίστε απαραίτητα να μην εισέλθει νερό στο περίβλημα της λάμπας και σε άλλα ηλεκτρικά εξαρτήματα.
- ⚠ Εάν το ψυγείο σας δεν πρόκειται να χρησιμοποιηθεί για μεγάλη χρονική περίοδο, αποσυνδέστε το καλώδιο ρεύματος από την πρίζα, αφαιρέστε όλα τα τρόφιμα, καθαρίστε το και αφήστε την πόρτα μισάνοιχτη.
- ❗ Ελέγχετε τακτικά τις στεγανοποιήσεις στις πόρτες για να βεβαιωθείτε ότι είναι καθαρές και απαλλαγμένες από σωματίδια τροφίμων.
- ❗ Για να αφαιρέσετε ένα ράφι πόρτας, αφαιρέστε όλα τα περιεχόμενα και κατόπιν απλά σπρώξτε το ράφι προς τα πάνω ώστε να βγει από τη βάση του.

- ❗ Ποτέ μη χρησιμοποιείτε ποτέ καθαριστικούς παράγοντες ή νερό που περιέχει χλώριο για να καθαρίσετε τις εξωτερικές επιφάνειες και τα επιχρωμιωμένα εξαρτήματα του προϊόντος. Το χλώριο προκαλεί διάβρωση σε μεταλλικές επιφάνειες αυτού του είδους.

Προστασία των πλαστικών επιφανειών

- ❗ Μην τοποθετείτε υγρά λάδια ή φαγητά μαγειρεμένα σε λάδι στο ψυγείο σας σε μη σφραγισμένα δοχεία, επειδή προξενούν βλάβες στις πλαστικές επιφάνειες του ψυγείου σας. Σε περίπτωση που χυθεί ή αλειφτεί λάδι στις πλαστικές επιφάνειες, αμέσως καθαρίστε και ξεπλύνετε το επηρεαζόμενο μέρος της επιφάνειας με χλιαρό νερό.

7 Συνιστώμενες λύσεις για προβλήματα

Παρακαλούμε συμβουλευτείτε τη λίστα πριν καλέσετε το σέρβις. Έτσι μπορείτε να εξοικονομήσετε χρόνο και χρήματα. Η λίστα αυτή περιλαμβάνει συχνά παράπονα που δεν είναι αποτέλεσμα ελαττωμάτων της κατασκευής ή των χρησιμοποιούμενων υλικών. Ορισμένες από τις δυνατότητες που περιγράφονται εδώ ίσως να μην υπάρχουν στη συσκευή σας.

Το ψυγείο δεν λειτουργεί.
<ul style="list-style-type: none">• Έχει συνδεθεί το ψυγείο σωστά στο ρεύμα; Συνδέστε το φως στην πρίζα στον τοίχο.• Μήπως έχει καεί η ασφάλεια της πρίζας στην οποία έχει συνδεθεί το ψυγείο ή η γενική ασφάλεια; Ελέγξτε την ασφάλεια.
Συμπύκνωση στα πλευρικά τοιχώματα του χώρου συντήρησης. (MULTI ZONE, COOL CONTROL και FLEXI ZONE)
<ul style="list-style-type: none">• Πολύ χαμηλές θερμοκρασίες περιβάλλοντος. Συχνό άνοιγμα και κλείσιμο της πόρτας. Πολύ υψηλή υγρασία περιβάλλοντος. Αποθήκευση τροφίμων που περιέχουν υγρά σε ανοικτά δοχεία. Η πόρτα έχει ξεχαστεί μισάνοιχτη.• Ρύθμιση του θερμοστάτη σε χαμηλότερη θερμοκρασία.• Μείωση του χρόνου που μένει ανοικτή η πόρτα ή λιγότερη συχνή χρήση της.• Κάλυψη με κατάλληλο υλικό του φαγητού που φυλάσσεται σε ανοικτά δοχεία.• Σκουπίστε τη συμπυκνωμένη υγρασία με στεγνό πανί και ελέγξτε αν επιμένει.
Ο συμπιεστής δεν λειτουργεί
<ul style="list-style-type: none">• Το προστατευτικό θερμικό του συμπιεστή θα ενεργοποιηθεί σε περίπτωση ξαφνικών διακοπών ρεύματος ή αν η συσκευή αποσυνδεθεί και συνδεθεί γρήγορα στο ρεύμα, όταν η πίεση του ψυκτικού μέσου στο σύστημα ψύξης του ψυγείου δεν έχει εξισορροπηθεί ακόμα.• Η λειτουργία του ψυγείου σας θα αρχίσει πάλι μετά από 6 λεπτά. Παρακαλούμε καλέστε το σέρβις αν το ψυγείο σας δεν ξεκινήσει πάλι μετά το τέλος αυτού του χρονικού διαστήματος.• Το ψυγείο βρίσκεται στον κύκλο απόψυξης. Αυτό είναι κανονικό για ψυγείο που δεν διαθέτει απόλυτα αυτόματη απόψυξη. Ο κύκλος απόψυξης λαμβάνει χώρα περιοδικά.• Το ψυγείο δεν έχει συνδεθεί στην πρίζα. Βεβαιωθείτε ότι το φως έχει τοποθετηθεί σωστά στην πρίζα.• Έχουν γίνει σωστά οι ρυθμίσεις θερμοκρασίας; Υπάρχει διακοπή ρεύματος. Καλέστε την εταιρία σας παροχής ηλεκτρισμού.

<p>Το ψυγείο ενεργοποιείται συχνά ή για πολλή ώρα.</p> <ul style="list-style-type: none"> • Το νέο σας ψυγείο μπορεί να είναι πλατύτερο από το παλαιό. Αυτό είναι πολύ φυσιολογικό. Τα μεγάλα ψυγεία λειτουργούν για μεγαλύτερο χρονικό διάστημα. • Η θερμοκρασία του περιβάλλοντος χώρου είναι πολύ υψηλή. Αυτό είναι πολύ φυσιολογικό. • Το ψυγείο ίσως συνδέθηκε στην πρίζα πρόσφατα ή μπορεί να έχει φορτωθεί με πολλά τρόφιμα. Η πλήρης ψύξη του ψυγείου σας στη θερμοκρασία λειτουργίας μπορεί να διαρκέσει δύο ώρες επιπλέον. • Μπορεί πρόσφατα να τοποθετήθηκαν στο ψυγείο μεγάλες ποσότητες ζεστού φαγητού. Το πολύ ζεστό φαγητό προκαλεί λειτουργία του ψυγείου για περισσότερη ώρα έως ότου φθάσει την επιθυμητή θερμοκρασία φύλαξης των τροφίμων. • Ίσως να ανοίγονταν συχνά οι πόρτες ή να παρέμειναν μισάνοιχτες για μεγάλο χρονικό διάστημα. Ο θερμός αέρας που έχει εισέλθει στο ψυγείο προκαλεί τη λειτουργία του ψυγείου για μεγαλύτερες χρονικές περιόδους. Ανοίγεται τις πόρτες λιγότερο συχνά. • Η πόρτα του χώρου κατάψυξης ή συντήρησης μπορεί να έχει ξεχαστεί μισάνοιχτη. Ελέγξτε αν οι πόρτες έχουν κλείσει καλά. • Το ψυγείο έχει ρυθμιστεί σε πολύ χαμηλή θερμοκρασία. Ρυθμίστε τη θερμοκρασία του ψυγείου σε υψηλότερο επίπεδο και περιμένετε έως ότου επιτευχθεί αυτή η θερμοκρασία. • Η στεγανοποίηση πόρτας της συντήρησης ή κατάψυξης μπορεί να είναι λερωμένη, φθαρμένη, σπασμένη ή δεν εφαρμόζει καλά. Καθαρίστε ή αντικαταστήστε τη στεγανοποίηση. Αν υπάρχει ζημιά/ σπάσιμο στη στεγανοποίηση της πόρτας, μπορεί να προκληθεί λειτουργία του ψυγείου για μεγαλύτερες περιόδους για να διατηρείται η τρέχουσα θερμοκρασία.
<p>Η θερμοκρασία της κατάψυξης είναι πολύ χαμηλή ενώ η θερμοκρασία της συντήρησης είναι επαρκής.</p>
<ul style="list-style-type: none"> • Η θερμοκρασία του χώρου κατάψυξης έχει ρυθμιστεί σε πολύ χαμηλό επίπεδο. Ρυθμίστε τη θερμοκρασία του χώρου κατάψυξης σε υψηλότερο επίπεδο και ελέγξτε.
<p>Η θερμοκρασία της συντήρησης είναι πολύ χαμηλή ενώ η θερμοκρασία της κατάψυξης είναι επαρκής.</p>
<ul style="list-style-type: none"> • Η θερμοκρασία του χώρου συντήρησης έχει ρυθμιστεί σε πολύ χαμηλό επίπεδο. Ρυθμίστε τη θερμοκρασία του χώρου συντήρησης σε υψηλότερο επίπεδο και ελέγξτε.
<p>Τα τρόφιμα στα συρτάρια της συντήρησης παγώνουν.</p>
<ul style="list-style-type: none"> • Η θερμοκρασία του χώρου συντήρησης έχει ρυθμιστεί σε πολύ χαμηλό επίπεδο. Ρυθμίστε τη θερμοκρασία του χώρου συντήρησης σε υψηλότερο επίπεδο και ελέγξτε.

<p>Η θερμοκρασία στη συντήρηση ή την κατάψυξη είναι πολύ υψηλή.</p> <ul style="list-style-type: none"> • Η θερμοκρασία της συντήρησης έχει ρυθμιστεί σε πολύ υψηλό επίπεδο. Η ρύθμιση της συντήρησης έχει επίδραση στη θερμοκρασία της κατάψυξης. Αλλάξτε τη θερμοκρασία της συντήρησης ή κατάψυξης έως ότου η θερμοκρασία της συντήρησης ή κατάψυξης φθάσει σε επαρκές επίπεδο. • Η πόρτα μπορεί να έχει μείνει μισάνοιχτη. Κλείστε καλά την πόρτα. • Μπορεί πρόσφατα να τοποθετήθηκαν στο ψυγείο μεγάλες ποσότητες ζεστού φαγητού. Περιμένετε έως ότου η συντήρηση ή η κατάψυξη φθάσει στην επιθυμητή θερμοκρασία. • Το ψυγείο μπορεί να έχει συνδεθεί στην πρίζα πρόσφατα. Η πλήρης ψύξη του ψυγείου απαιτεί χρόνο λόγω του μεγέθους του.
<p>Το ψυγείο παράγει θόρυβο παρόμοιο με το tik tak του ρολογιού.</p> <ul style="list-style-type: none"> • Ο θόρυβος προέρχεται από την ηλεκτρομαγνητική βαλβίδα του ψυγείου. Ο σκοπός της ηλεκτρομαγνητικής βαλβίδας είναι η εξασφάλιση της διέλευσης ψυκτικού μέσου μέσα από το χώρο που μπορεί να ρυθμιστεί σε θερμοκρασίες ψύξης ή κατάψυξης, και η εκτέλεση των λειτουργιών ψύξης. Αυτό είναι φυσιολογικό και δεν αποτελεί ένδειξη δυσλειτουργίας.
<p>Ο θόρυβος λειτουργίας αυξάνεται όταν λειτουργεί το ψυγείο.</p> <ul style="list-style-type: none"> • Τα χαρακτηριστικά λειτουργίας του ψυγείου μπορεί να διαφέρουν ανάλογα με τις μεταβολές της θερμοκρασίας περιβάλλοντος. Το φαινόμενο είναι φυσιολογικό και δεν αποτελεί ένδειξη δυσλειτουργίας.
<p>Κραδασμοί ή θόρυβος.</p> <ul style="list-style-type: none"> • Το δάπεδο δεν είναι ομαλό ή δεν είναι ανθεκτικό. Το ψυγείο ταλαντεύεται όταν μετακινηθεί ελαφρά. Βεβαιωθείτε ότι το δάπεδο είναι οριζόντιο, ανθεκτικό και ικανό να φέρει το βάρος του ψυγείου. • Ο θόρυβος μπορεί να προκαλείται από αντικείμενα που έχουν τοποθετηθεί πάνω στο ψυγείο. Αυτά τα είδη πρέπει να απομακρυνθούν από τη συσκευή.
<p>Υπάρχουν θόρυβοι σαν ροής ή ψεκασμού υγρού.</p> <ul style="list-style-type: none"> • Η ροή υγρών και αερίων είναι σύμφωνη με την αρχή λειτουργίας του ψυγείου σας. Το φαινόμενο είναι φυσιολογικό και δεν αποτελεί ένδειξη δυσλειτουργίας.
<p>Υπάρχει θόρυβος σαν ανέμου που φυσά.</p> <ul style="list-style-type: none"> • Για την αποτελεσματική ψύξη του ψυγείου χρησιμοποιούνται συσκευές διακίνησης αέρα (ανεμιστήρες). Το φαινόμενο είναι φυσιολογικό και δεν αποτελεί ένδειξη δυσλειτουργίας.
<p>Συμπύκνωση στα εσωτερικά τοιχώματα του ψυγείου.</p> <ul style="list-style-type: none"> • Ο ζεστός και υγρός καιρός αυξάνει το σχηματισμό πάγου και συμπύκνωσης. Το φαινόμενο είναι φυσιολογικό και δεν αποτελεί ένδειξη δυσλειτουργίας. • Η πόρτες είναι μισάνοιχτες. Βεβαιωθείτε ότι οι πόρτες είναι τελείως κλειστές. • Ίσως να ανοίγονταν συχνά οι πόρτες ή να παρέμειναν ανοικτές για μεγάλο χρονικό διάστημα. Ανοίξτε την πόρτα λιγότερο συχνά.
<p>Εμφανίζεται υγρασία στο εξωτερικό του ψυγείου ή ανάμεσα στις πόρτες.</p> <ul style="list-style-type: none"> • Ο καιρός μπορεί να είναι υγρός. Αυτό είναι πολύ φυσιολογικό σε περίπτωση υγρού καιρού. Όταν η υγρασία είναι μικρότερη, η συμπύκνωση θα πάψει να εμφανίζεται.

Κακοσμία στο εσωτερικό του ψυγείου.
<ul style="list-style-type: none"> • Το εσωτερικό του ψυγείου πρέπει να καθαριστεί. Καθαρίστε το εσωτερικό του ψυγείου, με ένα σφουγγάρι, χλιαρό νερό ή διάλυμα μαγειρικής σόδας σε νερό. • Ίσως η οσμή να προκαλείται από ορισμένα δοχεία ή υλικά συσκευασίας. Χρησιμοποιήστε διαφορετικό δοχείο ή διαφορετική μάρκα υλικού συσκευασίας.
Η (Οι) πόρτα(-ες) δεν κλείνει(-ουν).
<ul style="list-style-type: none"> • Συσκευασίες τροφίμων ίσως να εμποδίζουν το κλείσιμο της πόρτας. Μετατοπίστε τις συσκευασίες που εμποδίζουν την πόρτα. • Το ψυγείο πιθανόν να μην είναι εντελώς κατακόρυφο στο δάπεδο και μπορεί να ταλαντεύεται όταν σπρωχτεί ελαφρά. Ρυθμίστε τις βίδες ανύψωσης. • Το δάπεδο δεν είναι επίπεδο ή δεν είναι ανθεκτικό. Βεβαιωθείτε ότι το δάπεδο είναι οριζόντιο και ικανό να φέρει το βάρος του ψυγείου.
Τα συρτάρια λαχανικών έχουν κολλήσει.
<ul style="list-style-type: none"> • Τα τρόφιμα μπορεί να αγγίζουν την οροφή του συρταριού. Ανακατανείμτε τα τρόφιμα στο συρτάρι.

Prosimy najpierw przeczytać tę instrukcję obsługi!

Droży Klienci,

Mamy nadzieję, że nasz wyrób, wyprodukowany w nowoczesnym zakładzie i sprawdzony według najbardziej drobiazgowych procedur kontroli jakości, będzie Wam dobrze służył.




Dlatego zalecamy, aby uważnie przeczytać całą instrukcję obsługi tego wyrobu przed jego uruchomieniem i zachować ją do wglądu w przyszłości.




Instrukcja niniejsza

- Pomoże używać tego urządzenia sprawnie i bezpiecznie.
- Przeczytajcie tę instrukcję przed zainstalowaniem i uruchomieniem lodówki.
- Postępujcie zgodnie z tymi wskazówkami, zwłaszcza dotyczącymi bezpieczeństwa.
- Przechowujcie tę instrukcję w łatwo dostępnym miejscu, bo może się przydać później.
- Prosimy przeczytać także inne dokumenty dostarczone wraz z lodówką.
- Instrukcja ta może odnosić się także do innych modeli.

Symbole i ich znaczenie

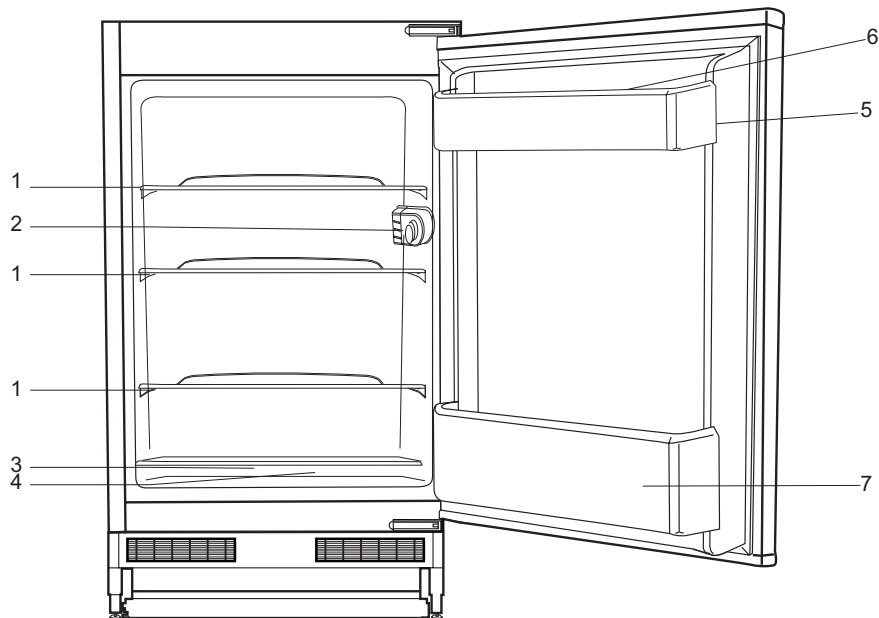
Niniejsza instrukcja obsługi zawiera następujące symbole:

-  Ważne informacje lub przydatne wskazówki użytkownika.
-  Ostrzeżenie przed zagrożeniem życia i mienia.
-  Ostrzeżenie przed porażeniem elektrycznym.

 INFORMACJE	
 SUPPLIER'S NAME A	 MODEL IDENTIFIER (*) A
Informacje o modelu zapisane w bazie danych produktów można uzyskać, wchodząc na następującą stronę internetową i wyszukując identyfikator modelu (*) znajdujący się na etykiecie efektywności energetycznej. https://eprel.ec.europa.eu/	

1 Zakupiona chłodziarka	3	4 Przygotowanie	14
2 Ważne ostrzeżenia dot. bezpieczeństwa	4	5 Obsługa chłodziarki	15
Zamierzone przeznaczenie	4	Nastawianie temperatury roboczej ...	15
Ogólne zasady bezpieczeństwa.....	4	Temperaturę roboczą reguluje się pokrętkiem temperatury.	15
Bezpieczeństwo dzieci	7	Regulacja I Nastawianie Temperatury	15
Zgodność z dyrektywą WEEE i usuwanie odpadów:	7	Zatrzymywanie urządzenia.....	16
Zgodność z dyrektywą RoHS:	7	Odszranianie	16
Informacje opakowaniu.....	7	6 Konserwacja i czyszczenie	17
Ostrzeżenie HCA	7	Zabezpieczenia powierzchni plastikowych	17
Co robić, aby oszczędzać energię.	8	7 Zalecane rozwiązania problemów	18
3 Instalacja	9		
Przed uruchomieniem chłodziarki	9		
Połączenia elektryczne	9		
Usuwanie opakowania.....	10		
Utylizacja starej chłodziarki	10		
Ustawienie i instalacja.....	10		
Ustawianie chłodziarki pod blatem i regulacja nóżek	11		
Wymiana lampki oświetlenia	12		
Przekładanie drzwi.....	13		

1 Zakupiona chłodziarka



1. Półki komory
2. Osłona żarówki termostatu
3. Mięso, wędliny, zimne zakąski, puszki.
4. Warzywa, owoce, sałatki
5. Tubki, małe butelki i puszki.
6. Komora na jajka
7. Napoje, duże butelki.

i Rysunki w niniejszej instrukcji to tylko schematy i nie muszą ściśle odpowiadać zakupionemu modelowi produktu. Jeśli pewnych części nie ma w nabytym produkcie, to znaczy, że odnoszą się do innych modeli.

2 Ważne ostrzeżenia dot. bezpieczeństwa

Prosimy przeczytać następujące ostrzeżenia. Ich nieprzestrzeganie grozi obrażeniami lub uszkodzeniem mienia. W takim przypadku tracą ważność wszelkie gwarancje i zapewnienia niezawodności.

Czas użytkowania nabytego urządzenia wynosi 10 lat. Przez ten czas utrzymujemy części zamienne potrzebne do jego zgodnego z opisem funkcjonowania.

Zamierzone przeznaczenie

- Urządzenie można używać wyłącznie w gospodarstwie domowym oraz:
- na zapleczu kuchennych personelu w sklepach, biurach i w innych miejscach pracy;
- w kuchniach wiejskich i przez gości hotelowych, w motelach i innych tego rodzaju miejscach;
- w pensjonatach serwujących nocleg ze śniadaniem;
- cateringu i w innych tego rodzaju zastosowaniach niedetalicznych.
- Nie należy używać jej na dworze. Nie nadaje się do użytkowania na dworze, nawet w miejscach zadaszonych.

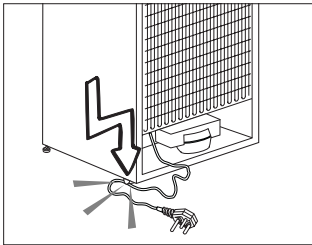
Ogólne zasady bezpieczeństwa

- Gdy zechcecie pozbyć się tego urządzenia/ złomować je, zalecamy skonsultowanie się z autoryzowanym serwisem, aby uzyskać potrzebne informacje i poznać kompetentne organa.

- Konsultujcie się z Waszym autoryzowanym serwisem w sprawach wszelkich pytań i problemów związanych z tą lodówką. Bez powiadomienia autoryzowanego serwisu nie wolno samemu ani innym osobom naprawiać chłodziarki.
- Nie jedzcie lodów ani lodu bezpośrednio po wyjęciu ich z zamrażalnika! (Może to spowodować odmrożenia w ustach).
- Nie wkładajcie do zamrażalnika napojów w puszkach ani w butelkach. Mogą wybuchnąć.
- Nie dotykajcie palcami mrożonej żywności, bo może do nich przylgnąć.
- Do czyszczenia i rozmrażania lodówki nie wolno stosować pary ani środków czyszczących w tej postaci. W takich przypadkach para może zetknąć się z częściami urządzeń elektrycznych i spowodować zwarcie albo porażenie elektryczne.
- Nie wolno używać żadnych części lodówki, takich jak drzwiczki, jako podpory ani stopnia.
- Wewnątrz lodówki nie wolno używać urządzeń elektrycznych.
- Nie wolno uszkadzać obwodu chłodzącego, w którym krąży środek chłodzący, narzędziami do wiercenia i cięcia. Środek chłodzący, który może wybuchnąć skutkiem przedziurawienia przewodów gazowych parownika, przedłużenia rur lub powłok powierzchni, może spowodować podrażnienia skóry lub obrażenia oczu.

- Nie przykrywajcie żadnym materiałem ani nie blokujcie otworów wentylacyjnych w lodówce.
- Urządzenia elektryczne naprawiać mogą tylko wykwalifikowani fachowcy. Naprawy wykonywane przez osoby niekompetentne mogą powodować zagrożenie dla użytkowników.
- W razie jakiegokolwiek awarii, a także w trakcie prac konserwacyjnych lub napraw, odłączcie lodówkę od zasilania z sieci albo wyłączając odnośny bezpiecznik, albo wyjmując wtyczkę z gniazdka.
- Wyjmując przewód zasilający z gniazdka należy ciągnąć za wtyczkę, nie za przewód.
- Napoje o wyższej zawartości alkoholu wkładajcie do lodówki w ściśle zamkniętych naczyniach i w pozycji pionowej.
- W urządzeniu nie należy przechowywać substancji wybuchowych ani pojemników z łatwopalnymi gazami pędnymi.
- W celu przyspieszenia procesu rozmrażania lodówki nie należy używać żadnych urządzeń mechanicznych ani innych środków poza zalecanymi przez jej producenta.
- Urządzenie to nie jest przeznaczone do obsługi przez osoby (w tym dzieci) z ograniczoną sprawnością fizyczną, zmysłową lub umysłową, czy bez odpowiedniego doświadczenia i umiejętności, o ile nie zapewni się im nadzoru lub instrukcji jego użytkowania ze strony osoby odpowiedzialnej za ich bezpieczeństwo.
- Nie uruchamiajcie lodówki, jeśli jest uszkodzona. W razie wątpliwości należy się skonsultować z serwisem.
- Bezpieczeństwo elektryczne tej lodówki gwarantuje się tylko jeśli system uziemienia Waszej instalacji domowej spełnia wymogi norm.
- Wystawianie tego urządzenia na działanie deszczu, śniegu, słońca i wiatru zagraża jego bezpieczeństwu elektrycznemu.
- W razie uszkodzenia przewodu zasilającego itp. skontaktujcie się z autoryzowanym serwisem, aby nie narażać się na zagrożenie.
- W trakcie instalowania chłodziarki nigdy nie wolno włączać wtyczki w gniazdko w ścianie. Może to zagrażać śmiercią lub poważnym urazem.
- Chłodziarka ta służy wyłącznie do przechowywania żywności. Nie należy jej używać w żadnym innym celu.
- Etykieta z danymi technicznymi chłodziarki umieszczona jest po lewej stronie w jej wnętrzu.
- Nie przyłączaj tej chłodziarki do systemu oszczędzania energii, ponieważ może to ją uszkodzić.
- Jeśli chłodziarka wyposażona jest w niebieskie światło, nie patrz na nie poprzez przyrządy optyczne.
- Jeśli od ręcznie nastawianej chłodziarki odłączy się zasilanie, prosimy odczekać co najmniej 5 minut, zanim ponownie się je załączy.
- Jeżeli zmieni się właściciel tej chłodziarki, niniejszą instrukcję obsługi należy przekazać wraz z nią nowemu właścicielowi.

- Przy przesuwaniu chłodziarki uważaj, żeby nie uszkodzić przewodu zasilającego. Aby zapobiec pożarowi nie wolno skręcać tego przewodu. Nie ustawiać na przewodzie żadnych ciężkich przedmiotów. Gdy wtyczka chłodziarki jest wsadzona do gniazdka nie wolno jej dotykać wilgotnymi dłońmi.



- Nie wsadzaj wtyczki chłodziarki do obluzowanego gniazdka.
- Ze względów bezpieczeństwa nie przyskaj wodą bezpośrednio na zewnętrzne ani na wewnętrzne części chłodziarki.
- Ze względu na zagrożenie pożarem i wybuchem nie rozpylaj łatwopalnych materiałów, takich jak gaz propan itp., w pobliżu chłodziarki.
- Nie stawiaj na chłodziarce przedmiotów wypełnionych wodą, ponieważ grozi to porażeniem elektrycznym lub pożarem.
- Nie przeciążaj chłodziarki nadmierną ilością żywności. Nadmiar żywności może wypaść, gdy otwiera się drzwiczki, narażając użytkownika na obrażenia ciała lub uszkodzenie chłodziarki. Nie wolno stawiać żadnych przedmiotów na chłodziarce, ponieważ mogą spaść przy otwieraniu lub zamykaniu drzwiczek.
- W chłodziarce nie należy przechowywać żadnych materiałów, które wymagają utrzymania w pewnej temperaturze, takich jak szczepionki, lekarstwa wrażliwe na temperaturę, materiały do badań naukowych itp.
- Jeśli chłodziarka ma być nieużywana przez dłuższy czas, należy wyjąć jej wtyczkę z gniazdka. Uszkodzenie izolacji elektrycznej przewodu zasilającego może spowodować pożar.
- Czubek wtyczki elektrycznej należy regularnie czyścić, w przeciwnym razie może spowodować pożar.
- Czubki wtyczki należy regularnie czyścić suchą ściereczką, w przeciwnym razie mogą spowodować pożar.
- Jeśli nastawialne nóżki nie stoją pewnie na podłodze, chłodziarka może się przesuwać. Prawidłowa regulacja nóżek chłodziarki zapewnia jej stabilność na podłodze.
- Jeśli chłodziarka ma klamkę w drzwiach nie należy ciągnąć za nią, gdy przesuwa się chłodziarkę, ponieważ można w ten sposób odłączyć ją od chłodziarki.
- Jeśli musisz ustawić chłodziarkę obok innej chłodziarki lub zamrażarki, odległość między tymi urządzeniami musi wynosić co najmniej 8 mm. W przeciwnym razie na ich ustawionych naprzeciw siebie bocznych ścianach może skraplać się wilgoć.
- Ciśnienie wody w instalacji wodociągowej musi wynosić co najmniej 1 bar. Ciśnienie wody w instalacji wodociągowej nie może przekraczać 8 bar.
- Używaj wyłącznie wody pitnej.

Bezpieczeństwo dzieci

- Jeśli drzwiczki zamykane są na klucz, należy go chronić przez dostępem dzieci.
- Należy zapewnić opiekę dzieciom, aby nie bawiły się lodówką.

Zgodność z dyrektywą WEEE i usuwanie odpadów:

Niniejszy wyrób jest zgodny z dyrektywą Parlamentu Europejskiego i Rady (2012/19/WE). Wyrób ten oznaczony jest symbolem klasyfikacji zużytych urządzeń elektrycznych i elektronicznych (WEEE).



Wyrób ten wykonano z części i materiałów wysokiej jakości, które mogą być odzyskane i użyte jako surowce wtórne. Po zakończeniu użytkowania nie należy pozbywać się go razem z innymi odpadkami domowymi. Należy przekazać go do punktu zbiórki urządzeń elektrycznych i elektronicznych na surowce wtórne. Aby dowiedzieć się, gdzie jest najbliższy taki punkt, prosimy skonsultować się z władzami lokalnymi.

Zgodność z dyrektywą RoHS:

Niniejszy wyrób jest zgodny z dyrektywą Parlamentu Europejskiego i Rady RoHS (Ograniczenie użycia substancji niebezpiecznych) (2011/65/WE). Nie zawiera szkodliwych i zakazanych materiałów, podanych w tej dyrektywie.

Informacje opakowaniu

Materiały opakowania tego wyrobu są wykonane z surowców wtórnych, zgodnie z naszymi krajowymi przepisami dotyczącymi ochrony środowiska. Materiałów opakunkowych nie wolno wyrzucać z odpadami z gospodarstwa domowego lub innymi. Należy przekazać je do punktu zbiórki surowców wtórnych.

Ostrzeżenie HCA

Jeśli chłodziarka ta wyposażona jest w system chłodniczy zawierający R600a:

Gaz ten jest łatwopalny. Należy zatem uważać, aby w trakcie jego użytkowania i transportu nie uszkodzić systemu i przewodów chłodzenia. W razie uszkodzenia, należy trzymać chłodziarkę z dala od potencjalnych źródeł ognia, które mogą spowodować jej pożar i należy wietrzyć pomieszczenie, w którym jest umieszczona.

Prosimy zignorować to ostrzeżenie, jeśli chłodziarka ta wyposażona jest w system chłodniczy zawierający R134a.

Oznaczenie gazu zastosowanego w danej chłodziarce można odczytać z tabliczki znamionowej umieszczonej z lewej strony w jej wnętrzu.

Nie należy złomować chłodziarki przez jej spalanie.

Co robić, aby oszczędzać energię.

- Nie zostawiajcie drzwiczek lodówki otwartych na dłużej.
- Nie wkładajcie do lodówki gorących potraw ani napojów.
- Nie przeładowujcie lodówki tak, aby przeszkadzało to w krążeniu powietrza w jej wnętrzu.
- Nie instalujcie lodówki tam, gdzie narażona będzie na bezpośrednie działanie słońca ani w pobliżu urządzeń wydzielających ciepło takich jak piecyki, zmywarki do naczyń lub grzejniki.
- Pamiętajcie, aby żywność przechowywać w zamkniętych pojemnikach.
- Po wyjęciu półki lub szuflady z komory zamrażalnika można do niego włożyć maksymalną ilość żywności. Deklarowane zużycie energii przez chłodziarkę określono przy półce lub szufladzie wyjętej z komory zamrażania i przy maksymalnym wypełnieniu żywnością. Używanie półki lub szuflady odpowiednio do kształtów i rozmiarów zamrażanej żywności jest bezpieczne.

3 Instalacja

- i** Należy pamiętać, że producent nie ponosi odpowiedzialności, jeśli są ignorowane informacje podane w niniejszej instrukcji.
1. W razie potrzeby ponownego transportu chłodziarki należy przestrzegać następujących wskazówek:
 2. Przed transportem należy chłodziarkę opróżnić i oczyścić.
 3. Przed ponownym zapakowaniem chłodziarki, półki, akcesoria, pojemnik na warzywa itp. należy przymocować taśmą klejącą zabezpieczając je przed wstrząsami.
 4. Opakowanie należy obwiązać grubą taśmą i silnymi sznurkami i przestrzegać reguł transportu wydrukowanych na opakowaniu.

Prosimy pamiętać...

Wszystkie surowce wtórne stanowią niezwykłe źródło oszczędności zasobów naturalnych i krajowych.

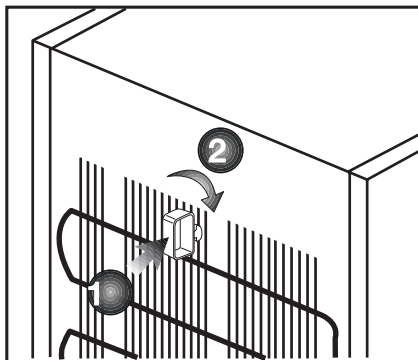
Osoby pragnące przyczynić się do wtórnego wykorzystania materiałów opakunkowych, mogą uzyskać dodatkowe informacje od instytucji ochrony środowiska lub władz lokalnych.

Przed uruchomieniem chłodziarki

Przed rozpoczęciem użytkowania chłodziarki, należy sprawdzić:

1. Oczyścić wnętrze chłodziarki, zgodnie z zaleceniami podanymi w rozdziale „Konserwacja i czyszczenie”.

2. Włączyć wtyczkę chłodziarki w gniazdko w ścianie. Po otwarciu drzwiczek chłodziarki zapali się światło we wnętrzu jej komory chłodzenia.



3. Po uruchomieniu sprężarki usłyszycie jej szum. Płyny i gazy zawarte w systemie chłodzenia także mogą powodować szumy, nawet jeśli nie działa sprężarka i jest to zupełnie normalne.
4. Przednie krawędzie lodówki mogą się nieco nagrzewać. Jest to całkiem normalne. Te obszary powinny się nagrzewać, co zapobiega skraplaniu się pary.

Połączenia elektryczne

Lodówkę przyłącza się do gniazdka z uziemieniem zabezpieczonego bezpiecznikiem o odpowiedniej wydajności.

Ważne:

- Przyłączenie lodówki musi być zgodne z przepisami krajowymi.
- Po instalacji wtyczka zasilania musi być łatwo dostępna.

- Podane tam napięcie musi być równe napięciu w Waszej sieci zasilającej.
- Do przyłączenia nie można używać przedłużaczy, ani przewodów z wieloma wtyczkami.

⚠ Uszkodzony przewód zasilający musi wymienić upoważniony i wykwalifikowany elektryk.

⚠ Nie można ponownie uruchomić produktu przed jego naprawieniem! Grozi to porażeniem elektrycznym!

Usuwanie opakowania

Materiały opakunkowe mogą być niebezpieczne dla dzieci. Należy chronić materiały opakunkowe przed dostępem dzieci, albo usunąć je zgodnie z instrukcją odpowiednią dla odpadków ich kategorii. Nie można pozbywać się ich w taki sposób, jak innych odpadków domowych.

Opakowanie tej chłodziarki wyprodukowano z surowców wtórnych.

Utylizacja starej chłodziarki

Starej chłodziarki należy pozbyć się tak, aby nie zaszkodzić środowisku naturalnemu.

- W sprawie złomowania lodówki możecie skonsultować się z autoryzowanym sprzedawcą lub punktem zbiórki surowców wtórnych w swojej miejscowości.

Przed złomowaniem lodówki należy odciąć wtyczkę zasilania elektrycznego, a jeśli w drzwiczkach są jakieś zamki, należy je trwale uszkodzić, aby zapobiec zagrożeniu dzieci.

Ustawienie i instalacja

⚠ Jeśli drzwiczki wejściowe do pomieszczenia, w którym ma być zainstalowana chłodziarka, są zbyt wąskie, aby chłodziarka mogła przez nie przejść, należy wezwać autoryzowany serwis, który zdejmie z niej drzwiczki i przeniesie ją bokiem przez drzwi.

1. Chłodziarkę należy zainstalować w miejscu, w którym łatwo będzie ją używać.
2. Chłodziarka musi stać z dala od źródeł ciepła, miejsc wilgotnych i bezpośrednio nasłonecznionych.
3. Aby uzyskać wydajną pracę chłodziarki, należy zapewnić odpowiednią wentylację wokół niej. Jeśli chłodziarka ma stanąć we wnęce w ścianie, należy zachować co najmniej 5 cm odstęp od sufitu i ściany. Jeśli podłoga pokryta jest wykładziną dywanową, chłodziarka musi stać 2,5 cm ponad powierzchnią podłogi.
4. Aby uniknąć wstrząsów, chłodziarkę należy ustawić na równej powierzchni podłogi.

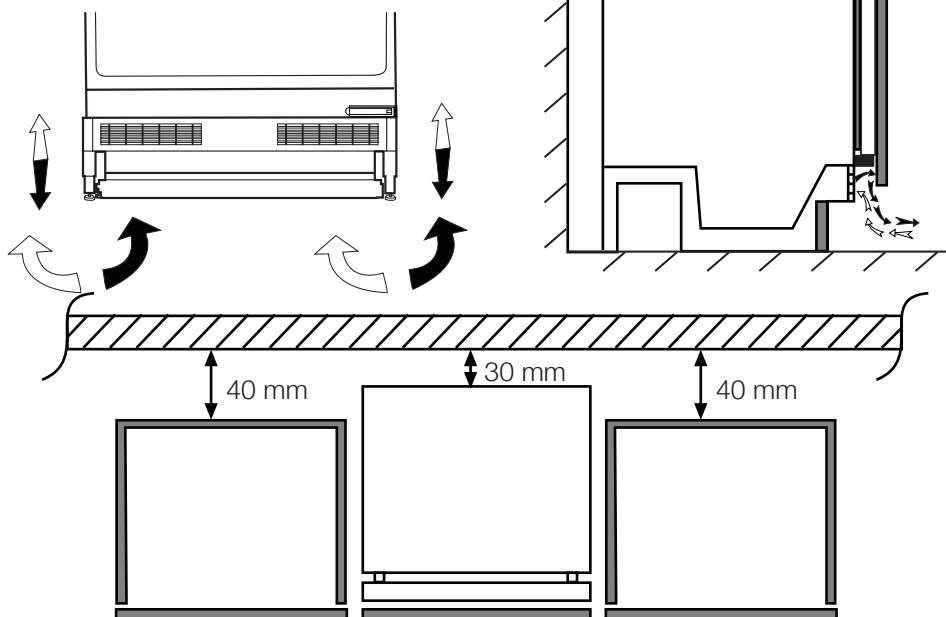
Ustawianie chłodziarki pod blatem i regulacja nóżek

Aby można było korzystać z urządzenia pod blatem, należy zachować odstęp pomiędzy ścianą a produktem wynoszący na co najmniej 30 mm, jak to przedstawiono na rysunku.

Nie wolno zasłaniać otworów wentylacyjnych, ponieważ zmniejsza to sprawność chłodziarki. (140 cm)

Jeśli chłodziarka nie stoi równo;

Można wyrównać jej ustawienie obracając przednie nóżki, tak jak pokazano na rysunku. Narożnik lodówki obniży się, gdy nóżka w tym narożniku jest obracana w kierunku wskazanym czarną strzałką lub podnosi gdy nóżka jest obracana w przeciwnym kierunku. Łatwiej będzie wykonać tę regulację przy pomocy drugiej osoby, która nieco podniesie urządzenie.



Wymiana lampki oświetlenia

Aby wymienić lampkę używaną do oświetlenia chłodziarki, prosimy wezwać autoryzowany serwis.

Lampa (lampy) wykorzystywane w tym urządzeniu nie są przeznaczone do oświetlania pomieszczeń. Lampa ta ma pomagać użytkownikowi wygodnie i bezpiecznie umieszczać pożywienie w lodówce/zamrażarce.

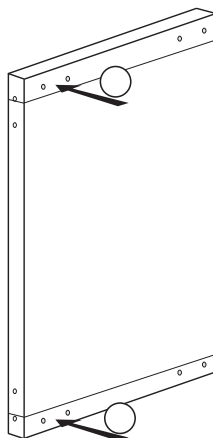
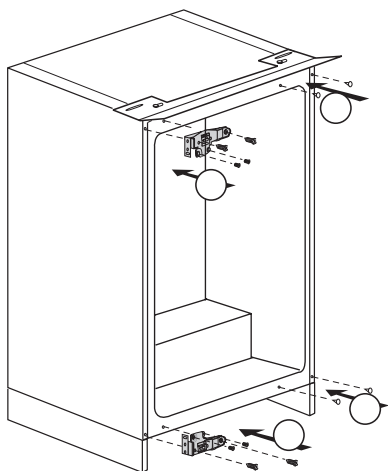
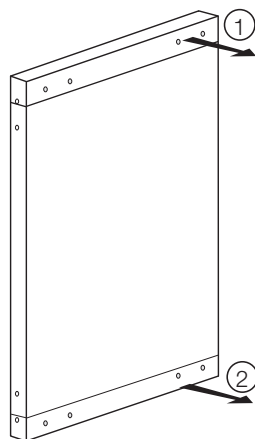
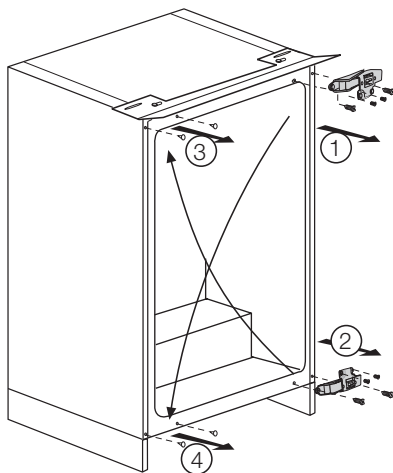
Żarówki używane w urządzeniu muszą wytrzymywać ekstremalne warunki fizyczne, jak np. temperatury poniżej -20°C .

Ten produkt jest wyposażony w źródło światła o klasie energetycznej "G".

Źródło światła w tym produkcie może być wymieniane wyłącznie przez profesjonalnych serwisantów.

Przekładanie drzwi

Postępuj w kolejności zgodnej z numeracją.

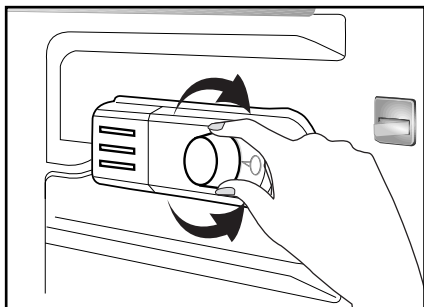


4 Przygotowanie

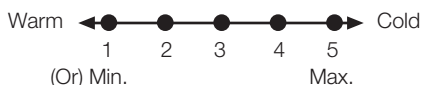
- Chłodziarkę tę należy zainstalować przynajmniej 30 cm od źródeł ciepła takich jak kuchenka, kaloryfer lub piec, i przynajmniej 5 cm od piecyka elektrycznego, a także że należy chronić ją przez bezpośrednim działaniem słońca.
- Temperatura otoczenia w pomieszczeniu, gdzie instaluje się chłodziarkę, powinna wynosić co najmniej 10°C. Ze względu na wydajność chłodziarki nie zaleca się użytkowania jej niższych temperaturach.
- Prosimy upewnić się, że wewnątrz chłodziarki zostało dokładnie oczyszczone.
- Jeśli zainstalowane mają być dwie chłodziarki obok siebie, należy zachować co najmniej 2 cm odstęp między nimi.
- Przy pierwszym uruchomieniu chłodziarki prosimy przez pierwsze sześć godzin przestrzegać następujących instrukcji.
- Nie należy zbyt często otwierać drzwiczek.
- Należy uruchomić ją pustą, bez żadnej żywności we wnętrzu.
- Nie należy wyłączać wtyczki chłodziarki z gniazdka. W przypadku awarii zasilania, której nie można samemu naprawić, prosimy zastosować się do ostrzeżenia z rozdziału „Zalecane rozwiązania problemów”.
- Oryginalne opakowanie i elementy z pianki należy zachować do przyszłego transportu lub przeprowadzek.

5 Obsługa chłodziarki

Nastawianie temperatury roboczej



Temperaturę roboczą reguluje się pokrętkiem temperatury.



1 = Ustawienie najmniejszego chłodzenia (Nastawienie najcieplejsze)

5 = Ustawienie największego chłodzenia (Nastawienie najzimniejsze)

(lub)

Min. = Ustawienie najmniejszego chłodzenia

(Nastawienie najcieplejsze)

Maks. = Ustawienie największego chłodzenia

(Nastawienie najzimniejsze)

Średnia temperatura we wnętrzu chłodziarki powinna wynosić ok $+5^{\circ}\text{C}$.

Prosimy wybrać nastawienia stosownie do pożądanej temperatury.

Prosimy zauważyć, że temperatury w obszarze chłodzenia będą się różnić.

Strefa najzimniejsza znajduje się

bezpośrednio nad komorą na warzywa.

Temperatura we wnętrzu zależy także od temperatury otoczenia, częstotliwości otwierania drzwi oraz ilości przechowywanej w środku żywności.

Częste otwieranie drzwi powoduje wzrost temperatury we wnętrzu.

Z tego powodu zaleca się zamykanie drzwi z powrotem najprędzej jak to możliwe po użyciu chłodziarki.

Regulacja i Nastawianie Temperatury

Temperatury robocze reguluje się pokrętkiem termostatu (patrz rysunek). Temperatury nastawiać można w pozycjach od 1 do 5 (najzimniej). Przy uruchamianiu chłodziarki po raz pierwszy termostat należy nastawić tak, aby po 24 godzinach średnia temperatura chłodziarki nie przekraczała $+5^{\circ}\text{C}$ ($+41^{\circ}\text{F}$).

Zaleca się nastawienie pokrętła regulacji w pozycji środkowej pomiędzy 1 a 5 i śledzenie temperatury w celu uzyskania jej pożądanej wartości, tzn. zmianę nastawienia na 5, jeśli temperatura jest zbyt wysoka i odwrotnie. Pewne miejsca w chłodziarce mogą być zimniejsze lub cieplejsze (jak np. pojemnik na świeże warzywa i górna część komory), co jest całkiem normalne.

5

Przy temperaturze otoczenia powyżej 25°C (77°F), zwłaszcza w lecie, należy przekręcić pokrętkę termostatu w stronę 5. Przy temperaturze otoczenia poniżej 25°C (77°F) należy ustawić pokrętkę termostatu w pozycji środkowej.

-

4

-

3

-

2

-

1

-

0

Częste otwieranie drzwiczek powoduje wzrost temperatury we wnętrzu, zaleca się zatem ich jak najszybsze zamykanie.

W razie przejściowego narastania oblodzenia komory chłodziarki, zmień nastawienie na 1, sprawdzając równocześnie, czy temperatura w chłodziarce nie przekracza +5 stopni C

(41 stopni F). Gdy oblodzenie ustąpi i urządzenie ponownie jak zwykle uruchamia samorozmrażanie, można wówczas w razie potrzeby zwiększyć nastawienia.

Zatrzymywanie urządzenia

Jeśli termostat ma pozycję „0”:

- Urządzenie zatrzyma się po ustawieniu termostatu w pozycji „0” (zero). Urządzenia nie da się uruchomić o ile ponownie nie ustawi się termostatu w pozycji „1” lub dowolnej innej pozycji.

Jeśli termostat ma pozycję „min”:

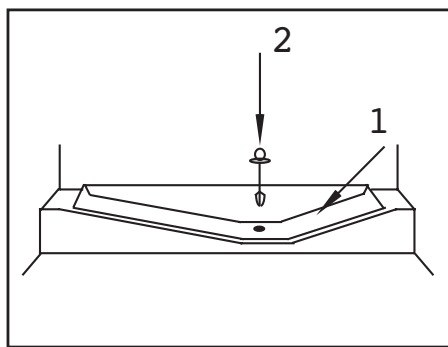
- Aby zatrzymać urządzenie wyjmij wtyczkę przewodu zasilającego z gniazdka.

Odszranianie

Komora chłodziarki odszrania się automatycznie. Woda ze szronu spływa do rury spustowej poprzez kanał zbiorczy i wyparowuje ze specjalnego zbiornika (1), znajdującego się z tyłu urządzenia (patrz rysunek).

W trakcie rozmrażania na tylnej ściance komory chłodniczej, gdzie umieszczony jest ukryty parownik, mogą formować się kropelki wody. Niektóre z nich mogą pozostać na wykładzinie ścianki i ponownie zamarznąć po zakończeniu rozmrażania. Do usuwania takich ponownie zamrożonych kropelek nie należy używać szpiczastych, ani zaokrąglonych przedmiotów, takich jak noże czy widelce.

Jeśli kiedykolwiek rozmrożona woda nie spływa z kanału ściekowego, należy sprawdzić, czy nie zablokowały go jakieś okruchy żywności. Rurę spustową czyścić można przepychając specjalnym dołączonym plastikowym trzpieniem (2).



6 Konserwacja i czyszczenie

- ⚠ Do czyszczenia chłodziarki nie wolno używać benzyny, benzenu, ani podobnych substancji..
- ⚠ Zaleca się wyłączenie wtyczki chłodziarki z gniazdka przed jej czyszczeniem.
- ⚠ Do czyszczenia nie wolno stosować żadnych szorstkich narzędzi ani mydła, domowych środków czystości, detergentów, ani wosku do polerowania.
- ℹ Umyj obudowę chłodziarki letnią wodą i wytrzyj ją do sucha.
- ℹ Wnętrze należy czyścić ściereczką zamoczoną i wyżętą w roztworze jednej łyżeczki do herbaty sody oczyszczonej w 0,5 litra wody, a następnie wytrzeć do sucha.
- ⚠ Zadbaj, aby do obudowy lampki i innych urządzeń elektrycznych nie dostała się woda.
- ⚠ Jeśli chłodziarka ma być nieużywana przez dłuższy okres czasu, należy ją wyłączyć i całkowicie opróżnić z żywności, oczyścić i pozostawić z uchylonymi drzwiczkami.
- ℹ Regularnie sprawdzaj, czy uszczelki w drzwiczkach są czyste i nie osadzają się na nich cząstki żywności.
- ⚠ Aby wyjąć półki z drzwiczek, opróżnij je z zawartości, a potem po prostu nacisnąc od podstawy ku górze.

- ⚠ Do czyszczenia powierzchni zewnętrznych i chromowanych części produktu nie należy używać ani środków czyszczących, ani wody z zawartością chloru. Chlor powoduje korozję takich powierzchni metalowych.

Zabezpieczenia powierzchni plastikowych

- ℹ Nie wkładać do chłodziarki oleju ani potraw smażonych na oleju w nieszczelnych pojemnikach, ponieważ może to uszkodzić jej plastikowe powierzchnie. W razie rozlania się lub rozsmarowania oleju na plastikowej powierzchni, od razu oczyścić i opłukać ciepłą wodą jej zabrudzoną część.

7 Zalecane rozwiązania problemów

Prosimy zapoznać się z tym wykazem przed wezwaniem serwisu. Może to oszczędzić Wasz czas i pieniądze. Wykaz ten zawiera częste kłopoty, które nie wynikają z wadliwego wykonania ani zastosowania wadliwych materiałów. Niektóre z opisanych tu funkcji mogą nie występować w tym modelu urządzenia.

Chłodziarka nie działa.

- Czy jest prawidłowo przyłączona do zasilania? Włożyć wtyczkę do gniazdka.
- Czy nie zadziałał bezpiecznik gniazdka, do którego jest przyłączona albo bezpiecznik główny? Sprawdzić bezpiecznik.

Skropliny na bocznej ścianie komory chłodzenia (MULTIZONE, COOL CONTROL oraz FLEXI ZONE).

- Bardzo niska temperatura otoczenia. Częste otwieranie i zamykanie drzwiczek. Znaczna wilgoć w otoczeniu. Przechowywanie żywności zawierającej płyny w otwartych pojemnikach. Pozostawienie uchylonych drzwiczek. Przełączyć termostat na niższą temperaturę.
- Otwierać drzwiczki na krócej albo rzadziej.
- Nakrywać żywność przechowywaną w otwartych pojemnikach odpowiednim materiałem.
- Wycierać skropliny suchą ściereczką i sprawdzać, czy nadal się utrzymują.

Sprężarka nie działa

- Zabezpieczenie termiczne sprężarki zadziała w trakcie nagłego zaniku zasilania lub załącza się i wyłącza, ponieważ nie wyrównało się jeszcze ciśnienie w systemie chłodzącym chłodziarki. Chłodziarka zacznie działać po ok. 6 minutach. Jeśli po upływie tego czasu chłodziarka nie zacznie działać, prosimy wezwać serwis.
- Chłodziarka jest w cyklu rozmrażania. Ton normalne dla chłodziarki z całkowicie automatycznym rozmrażaniem. Cykl rozmrażania następuje okresowo.
- Chłodziarka nie jest włączona do gniazdka. Upewnij się, że wtyczka jest prawidłowo włożona do gniazdka.
- Czy temperatura jest właściwie nastawiona?
- Być może w sieci nie ma prądu.

Chłodziarka pracuje często lub przez zbyt długi czas.

- Nowa chłodziarka jest szersza od poprzedniej. Jest to całkiem normalne. Duże chłodziarki działają przez dłuższy czas.
- Zbyt wysoka temperatura otoczenia. Jest to całkiem normalne.
- Chłodziarka została niedawno załączona lub jest przeladowana żywnością. Całkowite ochłodzenie chłodziarki może potrwać o parę godzin dłużej.
- Ostatnio włożono do chłodziarki znaczne ilości gorącej żywności. Gorące potrawy powodują dłuższą pracę chłodziarki zanim osiągnie temperaturę przechowywania.
- Zbyt często otwierano drzwiczki lub na dłużej pozostawiano je uchylone. Ciepłe powietrze, które weszło do chłodziarki, powoduje, że działa ona dłużej. Rzadziej otwierać drzwiczki.
- Pozostawiono uchylone drzwiczki komory chłodzenia lub zamrażania. Sprawdzić, czy drzwiczki są szczelnie zamknięte.
- Chłodziarka jest nastawiona na bardzo niską temperaturę. Nastawić chłodziarkę na wyższą temperaturę i odczekać, aż zostanie ona osiągnięta.
- Uszczelka w drzwiczkach chłodziarki lub zamrażalnika jest zabrudzona, uszkodzona, pęknięta lub nieprawidłowo włożona. Oczyszczyć lub wymienić uszczelkę. Uszkodzona/pęknięta uszczelka powoduje, że chłodziarka pracuje przez dłuższy czas, aby utrzymać bieżącą temperaturę.

Temperatura zamrażalnika jest bardzo niska, a temperatura chłodzenia jest wystarczająca.

- Chłodziarka jest nastawiona na bardzo niską temperaturę zamrażania. Nastawić chłodziarkę na wyższą temperaturę zamrażania i sprawdzić.

Temperatura chłodzenia jest bardzo niska, a temperatura zamrażania jest wystarczająca.

- Chłodziarka nastawiona jest na bardzo niską temperaturę chłodzenia. Nastawić chłodziarkę na wyższą temperaturę chłodzenia i sprawdzić.

Żywność przechowywana w szufladach komory zamraża.

- Chłodziarka nastawiona jest na bardzo niską temperaturę chłodzenia. Nastawić chłodziarkę na wyższą temperaturę chłodzenia i sprawdzić.

Bardzo wysoka temperatura w chłodziarce lub zamrażalniku.
<ul style="list-style-type: none"> • Chłodziarka nastawiona jest na bardzo wysoką temperaturę chłodzenia. Nastawienia chłodziarki wpływają na temperaturę w zamrażalniku. Zmienić temperaturę w chłodziarce lub zamrażalniku aż osiągnie odpowiedni poziom. • Zbyt często otwierano drzwiczki lub na dłużej pozostawiano je uchylone, należy je rzadziej otwierać. • Drzwiczki pozostawiono uchylone, należy je dokładnie zamknąć. • Ostatnio włożono do chłodziarki znaczne ilości gorącej żywności. Odczekać, aż temperatura w chłodziarce lub zamrażalniku osiągnie właściwy poziom. • Chłodziarkę załączono niedawno. Całkowite chłodzenie chłodziarki trochę potrwa.
Gdy chłodziarka pracuje, poziom hałasu wrasta.
<ul style="list-style-type: none"> • Z powodu zmian temperatury otoczenia zmieniły się charakterystyki eksploatacyjne chłodziarki. Jest to stan normalny, nie zaś awaria.
Drgania lub hałas
<ul style="list-style-type: none"> • Nierówna lub słaba podłoga. Chłodziarka podskakuje, gdy porusza się ją powoli. Sprawdź, czy podłoga jest równa i wytrzymuje ciężar chłodziarki. • Hałas powodują rzeczy położone na chłodziarce. Należy usunąć przedmioty ustawione na chłodziarce.
Z chłodziarki dochodzą odgłosy przelewania się i syczenia płynu.
<ul style="list-style-type: none"> • Zgodnie z zasadą funkcjonowania chłodziarki następują przepływy płynu lub gazu. Jest to stan normalny, nie zaś awaria.
Odgłos jakby szumu wiatru.
<ul style="list-style-type: none"> • Do ochłodzenia chłodziarki użyto wentylatorów. Jest to stan normalny, nie zaś awaria.
Skropliny na wewnętrznych ściankach chłodziarki.
<ul style="list-style-type: none"> • Ciepła i wilgotna pogoda sprzyja oblodzeniu i skraplaniu. Jest to stan normalny, nie zaś awaria. • Drzwiczki mogą być uchylone, upewnij się, że są całkowicie zamknięte. • Zbyt często otwierano drzwiczki lub na dłużej pozostawiano je uchylone, należy je rzadziej otwierać.
Na zewnątrz chłodziarki, lub pomiędzy drzwiczkami pojawia się wilgoć.
<ul style="list-style-type: none"> • Być może w powietrzu jest wilgoć; to całkiem normalne przy wilgotnej pogodzie. Gdy wilgoć w powietrzu ustąpi, skropliny znikną.
Nieprzyjemna woń wewnątrz chłodziarki.
<ul style="list-style-type: none"> • Trzeba oczyścić wnętrze chłodziarki. Oczyść wnętrze chłodziarki gąbką namoczoną w ciepłej lub gazowanej wodzie. • Woń powodują jakieś pojemniki lub materiały opakowaniowe. Używać innych pojemników lub materiałów opakowaniowych innej marki.

Drzwiczki są niezamknięte.

- W zamknięciu drzwiczek przeszkadzają paczki z żywnością. Przełożyć paczki przeszkadzające zamknięciu drzwiczek.
- Chłodziarka nie stoi całkiem pionowo na podłodze i kiwa się przy lekkim poruszeniu. Wyregulować wysokość nóżek.
- Podłoga nie jest równa lub dość wytrzymała. Sprawdzić, czy podłoga jest równa i wytrzymałe ciężar chłodziarki.

Szuflady do przechowywania świeżych warzyw się zatarty.

- Żywność dotyka sufitu szuflady. Zmienić ułożenie żywności w szufladzie.

يرجى قراءة هذا الدليل قبل استخدام الجهاز!

عميلنا العزيز،

نزيديكم أن تحصلوا من منتجكم الذي تم إنتاجه في مصانع حديثة وخضع لإختبارات دقيقة لرقابة الجودة على أعلى أداء.

وبالتالي فنحن نطلب منكم قراءة هذا الدليل قبل استخدام المنتج والاحتفاظ في الرجوع إليه في المستقبل.

هذا الدليل

...سيساعدك على استخدام الجهاز بسرعة وبطريقة آمنة.

* يرجى قراءة هذا الدليل قبل تركيب المنتج وتشغيله.

* يرجى اتباع الإرشادات، خاصة تلك المتعلقة بالسلامة.

* احفظ هذا الدليل في مكان يسهل الوصول إليه عند الحاجة إليه في المستقبل.

* وبالإضافة إلى ذلك، يرجى قراءة المستندات الأخرى المرفقة مع المنتج.


يرجى ملاحظة أن هذا الدليل قد يكون صالحاً لأنواع أخرى أيضاً.



الرموز ومعانيها.

تم إدراج الرموز التالية في الدليل:

معلومات مهمة أو تلميحات استخدام مفيدة 

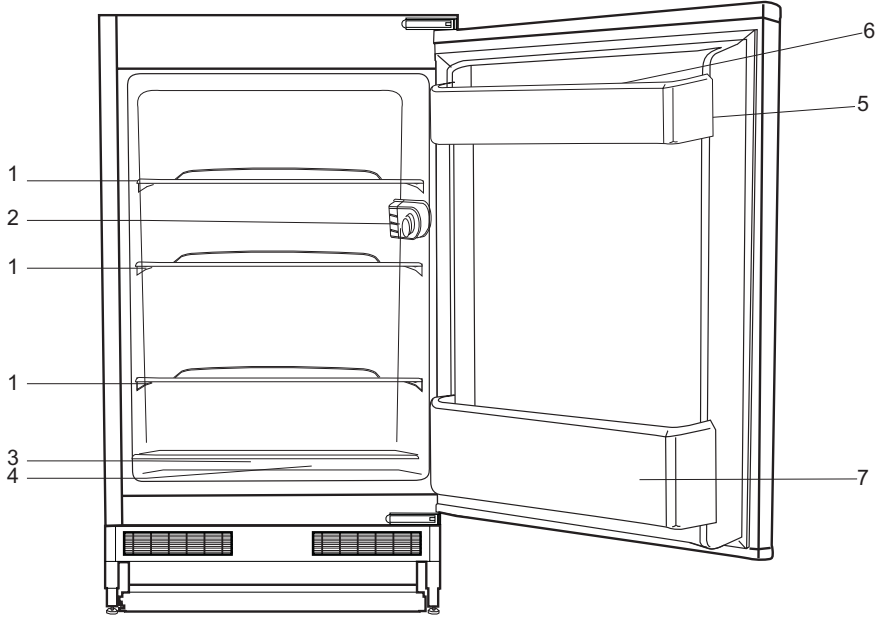
تحذير ضد الأحوال الخطرة على حياة البشر والممتلكات. 

تحذير ضد الفولتية الكهربائية. 

المعلومات	
	
SUPPLIER'S NAME	MODEL IDENTIFIER (*)
A	A

يمكن الوصول إلى معلومات الموديل المغزونة في قاعدة بيانات المنتج بزيارة الموقع:
التالي والبحث عن معرف الموديل (*) المطبوع على ملصق الطاقة
<https://eprel.ec.europa.eu/>

12	الإعداد	3	1 الثلاجة
13	5 استخدام الثلاجة	4	2 تحذيرات السلامة المهمة
13	ضبط درجة حرارة التشغيل.....	4	الغرض المخصص.....
	يتم تنظيم درجة حرارة التشغيل من خلال زر التحكم	5	بالنسبة للمنتجات المزودة بموزع الماء،.....
13	في درجة الحرارة.....	5	تأمين سلامة الأطفال.....
13	التحكم في درجة الحرارة والضبط.....	5	متوافق مع تشريعات WEEE في التخلص من
14	إيقاف تشغيل الجهاز.....	6	المنتجات التالفة:.....
14	إزالة الثلج.....	6	التوافق مع توجيهات RoHS:.....
15	6 الصيانة والتنظيف	6	بيانات التغليف.....
15	حماية الأسطح البلاستيكية.....	6	تحذير الحرارة والتبريد والتهوية (HCA).....
		6	أشياء يجب عملها لتوفير الطاقة.....
العثور على	7	7	3 التركيب
16	الخلل	7	نقاط يجب مراعاتها عند نقل الثلاجة.....
		7	قبل تشغيل الثلاجة.....
		7	التخلص من عبوة المنتج.....
		7	التخلص من الثلاجة القديمة.....
		8	الوضع والتركيب.....
		9	ضع الثلاجة تحت الرف واضبط الأرجل.....
		10	تغيير مصباح الإضاءة.....
		11	عكس الأبواب.....



- 1- أرفف جسم الجهاز
- 2- علبة الترموستات
- 3- لحم ونفائق وشرائح اللحم البارد والجبن والمعلبات
- 4- الفاكهة والخضروات والسلطات
- 5- المعلبات الأنبوبية والزجاجات الصغيرة والمعلبات
- 6- صندوق البيض
- 7- المشروبات والزجاجات الكبيرة

❶ الأشكال الواردة في دليل التعليمات هذا هي رسومات بيانية وقد لا تتطابق تمامًا مع المنتج. إذا لم تكن هذه القطع واردة في هذا الجهاز الذي اشتريته، فإنها مناسبة لأنواع أخرى.

لا تستخدم مطلقاً قطع الثلجة، مثل الباب كوسيلة دعم أو للوقوف عليه.

لا تستخدم أي أجهزة كهربائية داخل الثلجة.

لا تتلف الأجزاء حيث يتم تدوير الهواء البارد بأوتار حفر أو قطع. فقد ينفجر المبرد عند ثقب قنوات الغاز أو المبخر أو وصلات الأنابيب أو طلاءات السطح، وقد يتسبب ذلك في حدوث اعتلال للجلد وإصابات للعين.

لا تغط فتحات تهوية الثلجة أو تسدها بأي مواد.

يجب إجراء الإصلاحات بواسطة شخص مؤهل فقط. فعمليات الإصلاح التي يقوم بها أشخاص غير مؤهلين قد تمثل خطورة على المستخدم.

في حالة وقوع أي عطل أو أثناء أي عملية صيانة أو أعمال إصلاح، فصل الثلجة عن مصدر التيار الكهربائي الرئيسي إما بإغلاق المنصهر المعني أو بنزع قابس التيار الكهربائي الخاص بالجهاز.

لا تجذب الكابل - بل اجنب من المقبس.

ضع المشروبات رأسياً وهي مغطاة بإحكام.

يجب عدم الاحتفاظ في الثلجة بالمواد القابلة للاشتعال أو المنتجات التي تحتوي على غازات قابلة للاشتعال (مثل الإسبراي) وكذلك المواد القابلة للانفجار.

يجب عدم استخدام أدوات ميكانيكية أو أية وسائل أخرى للتسريع من عملية إزالة التجميد، بخلاف الأدوات التي توصي بها الجهة المصنعة.

هذا الجهاز غير مُعد للاستخدام بواسطة الأفراد (بما في ذلك الأطفال) ذوي القدرات الجسمية والحسية والذهنية المحدودة، أو الأفراد الذين يفتقرون للخبرة والمعرفة ما لم يتم الإشراف عليهم أو إعطائهم تعليمات استخدام الجهاز بواسطة شخص مسئول عن سلامتهم أو الشخص الذي سيقوم بإعطائهم التعليمات الخاصة باستخدام المنتج.

لا تقم بتشغيل الثلجة وهي تالفة. استشر مركز الصيانة إذا لديك أي شك.

يمكن ضمان السلامة الكهربائية للثلجة فقط إذا كان نظام التوصيل الأرضي في منزلك يتوافق مع المعايير.

إن تعريض الجهاز للأمطار والثلج والشمس والرياح يمثل خطورة فيما يتعلق بالسلامة الكهربائية.

- يرجى فحص المعلومات التالية. ربما يؤدي الإخفاق في اتباع هذه المعلومات إلى إصابات أو تلف للممتلكات. ومن ثم، قد تصبح كل التزامات الضمان غير سارية.
- يمتد العمر الافتراضي لاستخدام المنتج إلى 10 سنوات. وهذه هي فترة الإبقاء على عمل قطع الغيار المطلوبة للوحدة على النحو المبين.

الغرض المخصص

هذا المنتج مخصص لاستخدام

داخل المنزل وفي الأماكن المغلقة كالمنازل.

وفي بيئات العمل المغلقة مثل المخازن والمكاتب

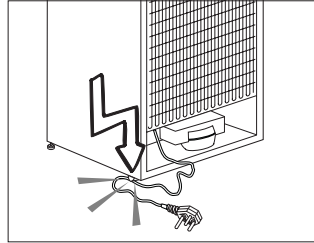
في مناطق السكن المغلقة مثل منازل المزرعة والفنادق والشقق الفندقية.

لذا، يجب عدم استخدامه في الأماكن الخارجية.

السلامة العامة

- إذا أرادت التخلص من الجهاز، فيوصى باستشارة مركز الصيانة المعتمد لمعرفة المعلومات المطلوبة والهيئات المعتمدة.
- استشر مركز الصيانة المعتمد حول كل الاستفسارات والمشكلات المتعلقة بالثلجة. لا تتدخل ولا تدع أحداً يتدخل في صيانة الجهاز دون إخبار مراكز الصيانة المعتمدة.
- بالنسبة للمنتجات المزودة بصندوق فريزر، لا تأكل بسكويت الأيس كريم ومكعبات الثلج مباشرة بعد إخراجها من صندوق الفريزر. (فقد يسبب هذا السعة صقيع داخل فمك.)
- بالنسبة للمنتجات المزودة بصندوق فريزر، لا تضع المشروبات السائلة المعبأة أو الموضوعة في زجاجات في صندوق الفريزر. وإلا، فقد تنتفج.
- لا تلمس الطعام المجمد باليد، فقد يلتصق بيديك.
- أفضل قبس التيار الكهربائي قبل تنظيف الثلجة أو إزالة الثلج.
- لا يجب استخدام البخار أو مواد التنظيف بالبخار أبداً في تنظيف أو عمليات إزالة الثلج من الثلجة. ففي مثل هذه الحالة، قد يتفاعل البخار مع القطع الكهربائية ويؤدي إلى قطع التيار الكهربائي أو وقوع صدمة كهربائية.

- اتصل بفني خدمة مؤهل في حالة وجود تلف بكابل الطاقة لتجنب المخاطر.
- لا تقم بتوصيل التلاجة بمنفذ الحائط أبداً أثناء عملية التركيب. وإلا، فهناك خطر أن تلقى مصرعك أو تلحق بك إصابة خطيرة.
- تم تصميم هذه التلاجة فقط لحفظ الطعام. يجب ألا تستخدم لأية أغراض أخرى.
- يوجد ملصق التصنيف الذي يحتوي على المواصفات الفنية للمنتج في الجزء الأيسر الداخلي للتلاجة.
- لا تصل التلاجة بأي نظم إلكترونية لتوفير الطاقة فقد يتلف المنتج.
- إذا كانت التلاجة بها لون أزرق، فلا تنظر إلى اللون الأزرق من خلال أجهزة بصرية.
- إذا تم فصل التيار الكهربائي في التلاجات المتحكم فيها يدوياً، يرجى الانتظار لمدة 5 دقائق قبل إعادة توصيل التيار الكهربائي.
- ينبغي تسليم دليل التشغيل هذا إلى المالك الجديد للتلاجة عند بيعها للآخرين.
- تجنب تلف كابل الطاقة أثناء نقل التلاجة. قد يتسبب الكابل المتلف في نشوب حريق. لا تضع أي أشياء ثقيلة على كابل الطاقة. لا تقم بلمس القابس بأيدي مبتلة عند توصيل قابس التلاجة.
- عندما ترغب في تشغيل تلاجتك بجوار تلاجة أخرى، اترك مسافة 8 سم على الأقل بينهما. وإلا فقد تصبح الحوائط الجانبية المقابلة لبعضها البعض رطبة.



- لا تصل التلاجة إذا كان منفذ التيار الكهربائي غير محكم.
- ينبغي عدم نثر الماء مباشرة على الأجزاء الداخلية أو الخارجية للتلاجة لدواعي السلامة.
- لا ترش مواد قابلة للاشتعال مثل غاز البروبين بالقرب من التلاجة بسبب مخاطر نشوب النيران والانفجار.
- لا تضع أشياء مملوئة بالماء أعلى التلاجة فقد تؤدي إلى صدمة كهربائية أو نشوب حريق.

لا تزيد من حمولة التلاجة بطعام إضافي. إذا كانت التلاجة بها حمل زائد، فقد يسقط الطعام ويصيبك ويتلف التلاجة عند فتح الباب. لا تضع أشياء ثقيلة أعلى التلاجة حيث قد تقع عند فتح باب التلاجة أو غلقه.

ينبغي عدم حفظ المنتجات التي تحتاج إلى تحكم دقيق في درجات الحرارة (الأمصال أو الأدوية ذات الحساسية للحرارة أو المواد العلمية أو ما شابه) في التلاجة.

إذا لم يتم استخدام التلاجة لفترة طويلة، فيجب فصلها عن التيار الكهربائي. قد تتسبب أي مشكلة في عزل الكابل في نشوب حريق.

يجب تنظيف طرف قابس التيار الكهربائي بشكل دوري وإلا فقد يتسبب في نشوب حريق.

يجب تنظيف طرف قابس التيار الكهربائي بشكل دوري بقماش جاف، وإلا فقد يتسبب في نشوب حريق.

من الممكن أن تتحرك التلاجة إذا لم يتم تثبيتها بإحكام على الأرض. يمكن للأقدام القابلة للضبط المثبتة بإحكام على الأرض أن تثبت التلاجة في مكانها ولا تتحرك.

عند حمل التلاجة، لا تمسكها من مقبض الباب. وإلا فيكسر.

عندما ترغب في تشغيل تلاجتك بجوار تلاجة أخرى، اترك مسافة 8 سم على الأقل بينهما. وإلا فقد تصبح الحوائط الجانبية المقابلة لبعضها البعض رطبة.

بالنسبة للمنتجات المزودة بموزع الماء،

- يجب ألا يقل ضغط خط المياه الرئيسي عن 1 بار.
- يجب ألا يزيد ضغط خط المياه الرئيسي عن 8 بارات.
- استخدم ماء قابلاً للشرب فقط.

تأمين سلامة الأطفال

- إذا كان الباب مزوداً بقليل، فينبغي الاحتفاظ بالفتح بعيداً عن متناول الأطفال.
- يجب رقابة الأطفال حتى لا يعبثوا بالمنتج.

والنقل. في حالة التلف، لا تتخلص من المنتج بإلقائه في النيران، واحتفظ به بعيداً عن مصادر النيران المحتملة والتي يمكن أن تتسبب في نشوب النيران بالمنتج واحرص على تهوية الحجرة التي تحتفظ بالمنتج فيها. إذا كان المنتج مزوداً بنظام تبريد يحتوي على

:R134a

نوع الغاز المستخدم في هذا المنتج مذكور على لوحة النوع الموجودة على الجانب الأيسر الداخلي للثلاجة. لا تتخلص من المنتج مطلقاً بإلقائه في النيران.

أشياء يجب عملها لتوفير الطاقة

- لا تترك أبواب الثلاجة مفتوحة لفترة طويلة.
- لا تضع الأطعمة أو الخضروات الساخنة في الثلاجة.
- لا تزيد حمل الثلاجة بحيث لا تمنع دورة الهواء داخلها.
- لا تترك الثلاجة تحت أشعة الشمس المباشرة أو بالقرب من أجهزة تنبعث من حرارة مثل الفرن أو غسالة الأطباق أو المشع.
- يجب وضع الطعام في علب مغلقة.
- بالنسبة للمنتجات المزودة بصندوق فريزر، يمكنك تخزين الحد الأقصى من كمية الطعام في الفريزر عندما تقوم بإخراج الرفوف أو الأدراج منه. استهلاك الطاقة المذكورة والخاص بالثلاجة تم تحديده أثناء إخراج الرف والدرج من الفريزر وتحمله بالحد الأقصى للحمولة. ولا توجد خطورة من استخدام الرف أو الدرج وفقاً للأشكال وأحجام الأطعمة المطلوب تجميدها.
- إذابة الطعام المجمد في صندوق الثلاجة ستوفر الطاقة وتحفظ جودة الطعام.

متوافق مع تشريعات WEEE في التخلص من المنتجات التالفة:



يتوافق هذا المنتج مع تشريعات WEEE للاتحاد الأوروبي (EU/2012/19) يحمل هذا المنتج رمز تصنيف محدد للتخلص من الأجهزة الكهربائية والإلكترونية (WEEE).

تم تصنيع هذا الجهاز بأجزاء ومواد عالية الجودة يمكن إعادة استخدامها وهي مناسبة لإعادة التدوير. وعلى ذلك، لا تتخلص من الجهاز مع النفايات المنزلية العادية في نهاية فترة خدمته. عليك أخذه إلى مركز التجميع لإعادة تدوير المعدات الكهربائية والإلكترونية. يرجى استشارة السلطات المحلية لمعرفة أقرب مراكز التجميع.

التوافق مع توجيهات RoHS:

يتوافق المنتج الذي قمت بشرائه مع توجيهات RoHS للاتحاد الأوروبي (EU/2011/65). لا يحتوي على مواد ضارة أو محظورة مشار إليها في التوجيهات.

بيانات التغليف

تم تصنيع مواد التغليف الخاصة بهذا المنتج من مواد قابلة لإعادة التصنيع وفقاً للوائح البيئية المحلية الخاصة بنا. لا تتخلص من مواد التغليف مع النفايات المنزلية أو النفايات الأخرى. بل تخلص منها في نقاط تجميع مواد التغليف المعينة من قبل السلطات المحلية.

تحذير الحرارة والتبريد والتهوية (HCA)

إذا كان المنتج مزوداً بنظام تبريد يحتوي على

:R600a

هذا الغاز قابل للاشتعال. ولذا، يجب توخي الحذر حتى لا يتم إتلاف نظام التبريد والأنابيب أثناء الاستخدام

4. قد يكون ملمس الحواف الأمامية للثلاجة دافئاً. هذا شيء طبيعي. حيث تم تصميم هذه المناطق حتى تكون دافئةً تجنباً للكتائف.

6. ادخل الطرفان البلاستيكيان داخل فتحة التهوية الخلفية كما هو موضح في الشكل التالي. قم بفك برغي الأطراف الموجودة واستخدم البراغي المتوفرة في نفس حقيبة الأسافين. سيوفر هذان الإسفينان المسافة المطلوبة بين الثلاجة والحائط. مما سيسمح بتدوير الهواء.

التوصيل الكهربائي

صل المنتج بمنفذ توصيل أرضي محمي بمنصهر ذي سعة مناسبة.
هام:

- يجب أن يتوافق التوصيل مع اللوائح الوطنية.
- يجب أن يكون قابس كابل التيار في مكان يسهل الوصول إليه بعد التركيب.
- يجب أن تكون الفولتية المقررة مساوية لفولتية منفذ التيار الرئيسي.
- يجب عدم استخدام الوصلات الكهربائية والمقابس متعددة المسالك للتوصيل.

⚠ يجب يتم استبدال كابل التيار التالف بواسطة فني الكهرباء المعتمد.

⚠ يجب ألا يتم تشغيل المنتج قبل إصلاحه! حيث يوجد خطر يكمن في التعرض لصدمة كهربائية!

التخلص من عبوة المنتج

قد تكون مواد التغليف خطرة على الأطفال. احتفظ بمواد التغليف بعيداً عن متناول الأطفال أو تخلص منها بتصنيفها وفقاً لتعليمات التخلص من المخلفات. لا تتخلص منها مع مخلفات المنزل العادية.

يتم تصنيع حزمة تعبئة الثلاجة من مواد قابلة لإعادة التدوير.

التخلص من الثلاجة القديمة

تخلص من الجهاز القديم دون إحداث أي ضرر بالبيئة.

- يمكنك استشارة الوكيل المعتمد لديك أو مركز تجميع النفايات بمدينتك حول التخلص من الثلاجة

⚠ يرجى تذكر أن المصنّع لن يتحمل أي مسؤولية في حالة عدم اتباع المعلومات الواردة في دليل التعليمات.

نقاط يجب مراعاتها عند نقل الثلاجة

1. يجب إفراغ الثلاجة وتنظيفها قبل أي عملية نقل.
2. يجب تثبيت الأرفف والملحقات والأدراج وخلافه في الثلاجة بإحكام بشرط لاصق ضد الارتجاج قبل إعادة تعبئتها بالعبوة.
3. يجب إحكام العبوة بأشرطة لاصقة سميكة وحبال قوية. كما يجب إتباع تعليمات النقل المطبوعة على العبوة.

يرجى ألا تتسى...

يجب عدم التخلص من أية مواد قابلة لإعادة التدوير حفاظاً على الطبيعة والموارد القومية.

إذا رغبت في المساهمة في إعادة تدوير مواد التعبئة. يمكنك الحصول على معلومات إضافية من الهيئات البيئية أو السلطات المحلية.

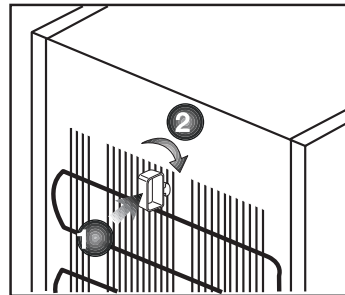
قبل تشغيل الثلاجة

قبل البدء في استخدام الثلاجة، تحقق مما يلي:

1. هل الجزء الداخلي للثلاجة جاف. وهل الهواء يدور بحرية في الجزء الخلفي؟

2. نظف الجزء الداخلي للثلاجة كما هو موصى به في قسم "الصيانة والتنظيف".

3. سوف تسمع ضوضاء عند بدء عمل جهاز ضغط الهواء. قد تؤدي السوائل والغازات المتسربة من جهاز الثلاجة إلى إحداث ضوضاء. حتى إن كان جهاز ضغط الهواء لا يعمل وهذا أمر طبيعي.



القديمة.

قبل التخلص من الثلجة. اقطع القابض الكهربائي. وفي حالة وجود أي أفعال على باب الثلجة. اجعلها غير قابلة للتشغيل لحماية الأطفال من أي خطر.

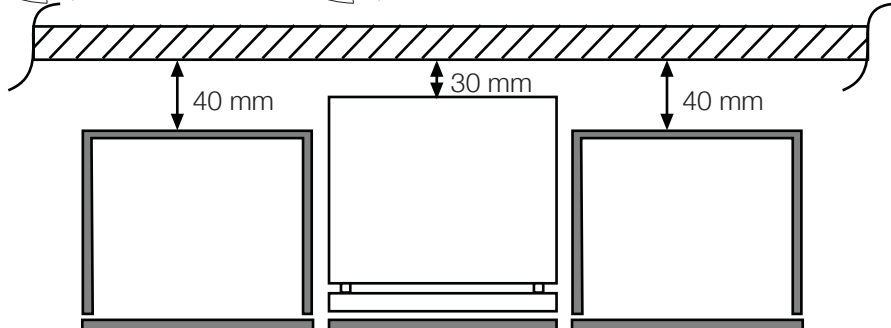
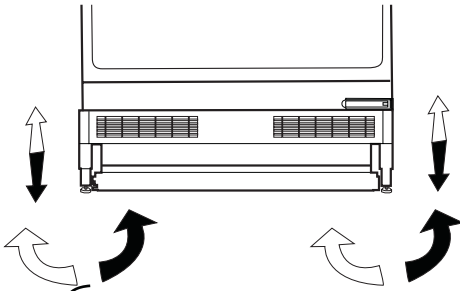
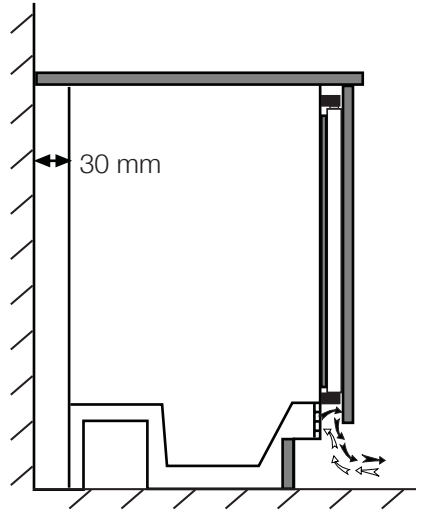
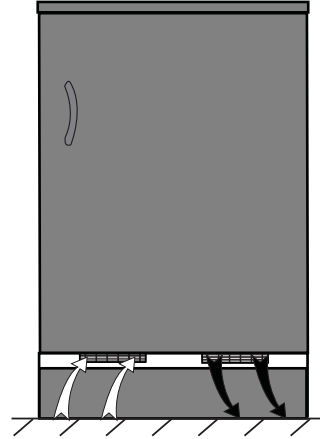
الوضع والتركييب

1. ركب الثلجة في مكان يسمح بسهولة الاستخدام.
2. ضع الثلجة بعيداً عن مصادر الحرارة والمناطق الرطبة وأشعة الشمس المباشرة.
3. يجب أن تتوفر التهوية المناسبة حول الثلجة للحصول على تشغيل يتسم بالكفاءة. إذا كانت الثلجة ستوضع في تجويف داخل الحائط. فيجب أن يكون يترك 5 سم على الأقل بينها وبين السقف و 5 سم على الأقل بينها وبين الحائط. إذا كانت الأرضية مغطاة بسجادة. فيجب رفع الجهاز 2.5 سم على الأقل عن الأرض.
4. ضع الثلجة على سطح مستو لمنع الحركة المفاجئة.

ضع الثلجة تحت الرف واضبط الأرجل.

عند وضع الثلجة في مكانها، يجب أن نكون المسافة بين المنتج والحائط 30 سم على الأقل كما هو موضح في الشكل.
يجب ألا يتم سد فتحات التهوية حتى لا يقل أداء الثلجة. (140 سم 2)

إذا كانت الثلجة غير متزنة؛
يمكن ضبط اتزان الثلجة بتدوير الأقدام الأمامية كما هو موضح بالشكل حتى تصبح متزنة. يتم خفض الركن الموجود به القدم عند التدوير باتجاه السهم الأسود ويرتفع عند التدوير في الاتجاه المعاكس. سيكون من الأسهل لك القيام بذلك عند الحصول على مساعدة شخص آخر لرفع الوحدة قليلاً أثناء القيام بهذه العملية.



تغيير مصباح الإضاءة

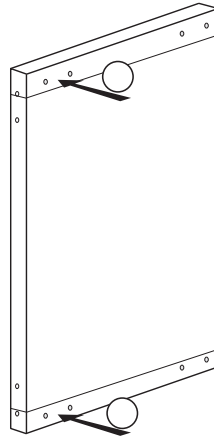
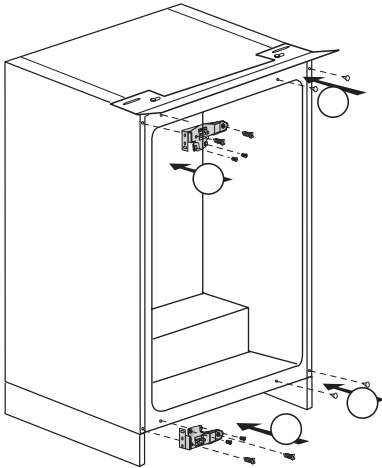
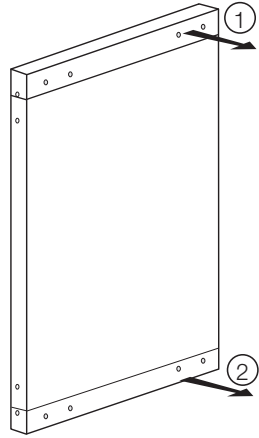
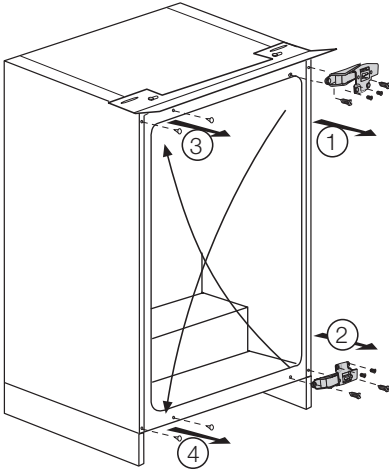
لتغيير المصباح/مصباح الإضاءة الخلفية (LED) المستخدم في إضاءة الثلاجة، يرجى الاتصال بمركز الصيانة المعتمد.

المصباح (المصابيح) المستخدمة في هذا الجهاز غير مناسبة للإضاءة في الغرف المنزلية. الغرض الأساسي لهذا المصباح هو مساعدة المستخدم لوضع أدوات الطعام في الثلاجة/المجمد بطريقة سهلة وآمنة المصابيح المستخدمة في هذا الجهاز لها قدرة تحمل تتمثل في درجات الحرارة أقل من 20- درجة مئوية.

هذا المنتج مجهز بمصدر إضاءة من فئة الطاقة "G". يجب عدم استبدال مصدر الإضاءة في هذا المنتج سوى بواسطة فنيي تصليح متخصصين.

عكس الأبواب

اتبع الترتيب الرقمي



- ❶ يجب تركيب الثلجة على بعد 30 سم على الأقل من مصادر الحرارة مثل المواقد والأفران والسخان المركزي والمواقد وعلى بعد 5 سم على الأقل من الأفران الكهربائية ويجب عدم وضعها في ضوء الشمس المباشر.
- ❷ يجب أن تكون درجة الحرارة المحيطة للغرفة التي تضع فيها الثلجة 10 درجة مئوية على الأقل. ولا يُوصى بتشغيل الثلجة في ظروف درجة حرارة أقل من ذلك تحقيقاً لكفاءتها.
- ❸ يُرجى التأكد من تنظيف الثلجة من الداخل بعناية.
- ❹ إذا كنت بصدد تركيب ثلاجتين جنباً إلى جنب، فيجب المباعرة بينهما بمسافة 2 سم على الأقل.
- ❺ عند تشغيل الثلجة للمرة الأولى، يُرجى مراعاة التعليمات التالية أثناء الساعات الستة الأولى.
- يجب عدم فتح الباب بصورة متكررة.
 - يجب تشغيلها وهي خاوية بدون أي أطعمة داخلها.
 - لا تنزع قابس التيار الكهربائي للثلجة. إذا توقف التيار الكهربائي رغباً عنك، فيرجى قراءة التحذيرات الواردة في قسم "حلول مقترحة للمشكلات".
- ❻ يجب الحفاظ على العبوة الأصلية ومواد التغليف المصاحبة لأغراض النقل المستقبلية أو الانتقال.

ضبط درجة حرارة التشغيل

تكرار فتح الباب يسبب ارتفاع درجة الحرارة الداخلية.

ولذلك يُنصح بغلاق الباب في أسرع وقت ممكن بعد استخدام الثلاجة.

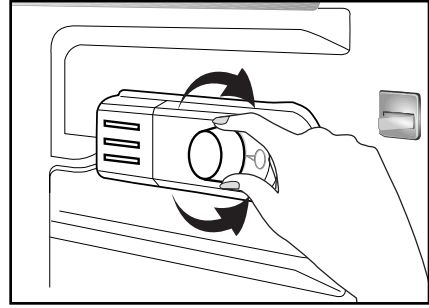
التحكم في درجة الحرارة والضبط

يتم التحكم في درجات حرارة التشغيل بواسطة الترموستات (انظر الشكل التوضيحي). يمكن ضبط الإعدادات من 1 إلى 5، أبرد وضع. عند تشغيل الجهاز لأول مرة، يجب ضبط الترموستات حتي تكون درجة الحرارة بعد مرور 24 ساعة أعلى من + 5 درجة مئوية (+41 فهرنهايت).

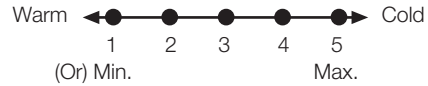
نوصى بضبط الترموستات على المنتصف بين 1 و5 ومراقبته للحصول على درجة الحرارة المطلوبة، أي باتجاه 5 يمكنك الحصول على درجة حرارة أبرد والعكس صحيح. من الطبيعي أن تكون بعض أجزاء الثلاجة أكثر برودة أو أكثر دفئاً (مثل درج السلطة والجزء العلوي من التجويف).

إذا زادت درجة الحرارة عن درجات حرارة المحيطة 25 درجة مئوية (77 فهرنهايت) وخاصة في فصل الصيف، أدر مقبض الترموستات باتجاه 5. وإذا انخفضت درجة الحرارة عن درجات الحرارة المحيطة 25 درجة مئوية (77 فهرنهايت)، أدر مقبض الترموستات في المنتصف.

يتسبب الفتح المستمر للباب في رفع درجة الحرارة الداخلية، لذلك ينصح بسرعة غلق الباب قدر الإمكان بعد الاستعمال.



يتم تنظيم درجة حرارة التشغيل من خلال زر التحكم في درجة الحرارة.



1 = أقل ضبط تبريد (أعلى ضبط تدفئة)
5 = أعلى ضبط تبريد (أعلى ضبط تدفئة)
(أو)

الحد الأدنى = أقل ضبط تبريد
(أعلى ضبط تدفئة)

الحد الأقصى = أعلى ضبط تبريد
(أعلى ضبط تدفئة)

يجب أن يكون متوسط درجة الحرارة داخل الثلاجة نحو +5 درجة مئوية.

يرجى اختيار الضبط حسب درجة الحرارة المطلوبة.

يرجى ملاحظة اختلاف درجة الحرارة في منطقة التبريد.

ستكون أكثر المناطق برودة هي المنطقة التي توجد فوق تجويف الخضراوات.

تعتمد درجة الحرارة الداخلية على درجة الحرارة المحيطة، مدى تكرار فتح وغلق الباب وكمية الأغذية المحفوظة.

إزالة الثلج

يقوم صندوق الفريزر بإزالة الثلج بشكل تلقائي. يتدفق الماء المسال من خلال قنوات التصفية إلى حوض التجميع الموجود (1) ويتبخر بمؤخرة الجهاز (الشكل التوضيحي).

أثناء إزالة الثلج، قد يتم تكوين نقط ماء في مؤخرة تجويف التلاجة حيث يوجد جهاز تبخير الماء المختفي. قد تبقى بعض النقط على البطانة ثم يعاد تجميدها بعد انتهاء عملية إزالة الثلج. لا يجب استخدام أدوات مدببة أو حادة مثل السكاكين أو الشوك لإزالة النقط المائية التي تم تجميدها.

إذا لم يتم صرف المياه المسالة في أي وقت من قناة التجميع، قم بفحص ما إذا كان هناك بعض فضلات الطعام التي قد تسد أنبوب الصرف. يمكنك تنظيف أنبوب الصرف بالضغط على المكبس البلاستيكي الخاص الموجود أسفل أنبوب الصرف (2).

5

في حالة تراكم الثلج في صندوق التلاجة قم بتخفيض إعداد الترموستات إلى 1، مع مراعاة في نفس الوقت أن يكون الحد الأقصى لدرجة الحرارة +5 درجة مئوية (41 فهرنهايت). وما أن يتلاشي تراكم الثلج ويبدأ الجهاز في إزالة التلج التلقائية مرة أخرى في الوضع الطبيعي، يمكنك زيادة إعداد الترموستات إذا لزم الأمر.

4

3

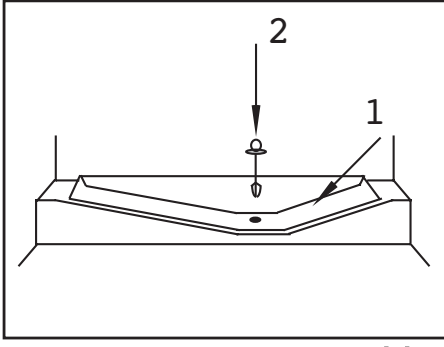
2

1

0

إيقاف تشغيل الجهاز

إذا كان الترموستات مزودا بوضع "0":
يمكنك إيقاف تشغيل الجهاز عن طريق لف مقبض الترموستات إلى الوضع "0" (صفر). سيبدأ تشغيل الجهاز عن طريق لف مقبض الترموستات إلى الوضع "1" أو أي من الأوضاع الأخرى مرة ثانية.
إذا كان الترموستات مزودا بوضع "سالِب":
انزع القابس لإيقاف تشغيل الجهاز.



حماية الأسطح البلاستيكية

❗ لا تضع زيوتًا سائلة أو وجبات مطبوخة بالزيت في الثلاجة في علب غير معزولة، إذ قد تتسبب في تلف الأسطح البلاستيكية للثلاجة. في حالة انسكاب زيت أو تسربه على الأسطح البلاستيكية، نظف هذا الجزء واشطفه فورًا بماء دافئ.

⚠ لا تستخدم الجازولين أو البنزين أو أي مواد مشابهة لأغراض التنظيف.

⚠ نوصي بفصل الجهاز عن التيار الكهربائي قبل تنظيفه.

⚠ لا تستخدم أبدًا أي مواد كاشطة أو صابون أو منظفات منزلية أو منظفات غسيل أو شمع التلميع عند التنظيف.

❗ استخدم المياه الفاترة لتنظيف صندوق الثلاجة ثم امسحه ليجف.

❗ استخدم قطعة من القماش الملتوية والرطبة مع ماء ملعقة شاي من بيكرونات الصودا مضافة لجالون من الماء لتنظيف الداخل ثم يجفف.

❗ تأكد من عدم دخول المياه إلى مبيت المصباح وغيره من العناصر الكهربائية.

❗ إذا كانت الثلاجة لن تستعمل لفترة زمنية طويلة، فافصل كابل التيار الكهربائي ثم أفرغ جميع الأطعمة ثم نظفها واترك الباب مفتوح جزئيًا.

❗ قم بفحص عوازل التسريب في الباب بانتظام للتأكد من سلامتها وخلوها من جزيئات الطعام.

❗ لإزالة أرفف الباب، أخرج جميع المحتويات ثم ادفع رف الباب لأعلى بعيدًا عن القاعدة.

❗ لا تستخدم أبدًا مواد التنظيف أو المياه التي تحتوي على الكلورين لتنظيف الأسطح الخارجية والأجزاء المطلية بالكروم من المنتج. فالكلورين يتسبب في تآكل هذه الأسطح المعدنية.

- لا يوجد تيار كهربائي. << يستمر الجهاز بالعمل بشكل طبيعي حال عودة الطاقة. يزداد ضجيج تشغيل التلاجة أثناء الاستعمال.
- وقد يتباين أداء عمل الجهاز بناء على تغيرات درجة حرارة المكان. هذا أمر طبيعي ولا يعتبر عطلاً.
- **تعمل التلاجة لفترة زمنية طويلة.**
- ربما يكون المنتج الجديد أكبر من المنتج السابق. تعمل الأجهزة الأكبر فترات زمنية أطول.
- ربما تكون درجة حرارة الغرفة عالية. << يعمل الجهاز فترات طويلة في درجات الحرارة العالية.
- ربما تم توصيل الجهاز بالكهرباء مؤخرًا أو تم وضع صنف طعام جديد داخله. << يستغرق الجهاز فترة أطول لبلوغ درجة الحرارة المعينة عند توصيله بالكهرباء حديثًا أو عند وضع صنف طعام جديد داخله. هذا أمر طبيعي.
- ربما تم وضع كميات كبيرة من الطعام الساخن في الجهاز مؤخرًا. << لا تضع الطعام الساخن داخل الجهاز.
- تم فتح الأبواب كثيرًا أو تركت مفتوحة لفترات طويلة. << يتسبب الهواء الساخن المتحرك في الداخل في عمل الجهاز فترة أطول. لا تفتح الأبواب كثيرًا.
- ربما يكون باب المجمد أو المبرد مواربا. << تأكد أن الأبواب مغلقة كليًا.
- ربما يكون الجهاز مضبوط على درجة حرارة متدنية جدًا. << اضبط درجة الحرارة على درجة أعلى وانتظر حتى يصل الجهاز إلى درجة الحرارة المرغوبة.
- ربما تكون فلجة باب المبرد أو المجمد متسخة، أو مهترئة أو مكسورة أو غير مستقرة. << نظف أو استبدل الفلجة. تتسبب فلجة الباب التالفة/المهترئة في عمل الجهاز فترات طويلة للحفاظ على درجة الحرارة الحالية.
- تحقق من هذه القائمة قبل الاتصال بمركز الصيانة من شأن ذلك توفير الوقت والمال. تتضمن هذه القائمة الشكاوى غير المرتبطة بعيوب الصناعة أو المواد. وقد لا تنطبق سمات معينة مذكورة هنا على جهازك.
- **التلاجة لا تعمل.**
- قابس الطاقة غير مستقر كليًا. << ادفعه بحيث يستقر في المقبس كليًا.
- الصمام الموصول بالمقبس الذي يزود الجهاز بالطاقة أو الصمام الرئيسي تالف. << افحص الصمامات.
- هناك تكاتف على جانب جدار حجرة المبرد (المنطقة المتعددة، منطقة التبريد، التحكم والمنطقة المرنة). يتم فتح الباب كثيرًا << تجنب فتح باب التلاجة كثيرًا.
- المكان رطب جدًا. << لا تضع الجهاز في أماكن رطبة.
- الأطعمة المحتوية على سوائل تحفظ في مستوعبات غير محكمة الإغلاق. << احتفظ بالأطعمة المحتوية على سوائل في مستوعبات محكمة الإغلاق.
- ترك الباب مفتوحًا. << لا تدع أبواب التلاجة مفتوحة لفترات طويلة.
- تم ضبط الثيرموستات على درجات متدنية جدًا. << اضبط الثيرموستات على درجة حرارة مناسبة.
- **الضاغط لا يعمل.**
- في حال حدوث انقطاع مفاجئ في التيار الكهربائي أو سحب قابس الطاقة وإعادةه مرة أخرى، يصبح ضغط الغاز في نظام تبريد الجهاز غير متوازن، مما يفعل الواقي الحراري للضاغط. يعمل المنتج من جديد بعد 6 دقائق تقريبًا. إذا لم يعمل الجهاز بعد هذه الفترة، اتصل بمركز الصيانة.
- إزالة الجليد غير نشطة. << هذا أمر طبيعي في جهاز مقاوم للضجيج تلقائيًا. تتم إزالة الجليد دوريًا.
- الجهاز غير موصول بالكهرباء. << تأكد أن سلك الطاقة موصول بالكهرباء.
- إعداد درجة الحرارة غير صحيح. << اختر إعدادًا صحيحًا لدرجة الحرارة.

- قد تحدث أية مواد موضوعة على الجهاز ضجيجا. <<< قم بإزالة أية مواد وضعت على الجهاز.
- يصدر الجهاز ضجيجا يشبه تدفق السوائل، أو الرش، الخ.
- يتخلل مبادئ تشغيل الجهاز تدفق السائل والغاز. <<< هذا أمر طبيعي ولا يعتبر عطلا.
- هناك صوت كهيوب الرياح يأتي من الجهاز. يستخدم الجهاز مروحة في عملية التبريد. هذا أمر طبيعي ولا يعتبر عطلا.
- هناك تكاثف على الجدران الداخلية للجهاز. يزيد الطقس الحار أو الرطب من تشكل الصقيع والتكاثف. هذا أمر طبيعي ولا يعتبر عطلا.
- تم فتح الأبواب كثيرا أو تركت مفتوحة لفترات طويلة. <<< لا تفتح الأبواب كثيرا؛ إذا كانت مفتوحة، أغلقها.
- ربما يكون الباب مواربا. <<< أغلق الباب كليا.
- هناك تكاثف على السطح الخارجي للجهاز أو بين الأبواب.
- ربما يكون جو المكان رطبا، وهذا أمر طبيعي في الجو الرطب. <<< سيتبدد التكاثف عندما تقل الرطوبة.
- رائحة الجزء الداخلي سيئة.
- لا يتم تنظيف الجهاز بانتظام. <<< نظف الجزء الداخلي بانتظام مستخدما إسفنجة وماء دافئ وماء مكرين.
- قد تتسبب بعض المستوعبات ومواد التغليف في تكون روائح. <<< استخدم المستوعبات ومواد التغليف الخالية من الروائح.
- تم وضع الطعام في مستوعبات غير محكمة الإغلاق. <<< احتفظ بالأطعمة في مستوعبات محكمة الإغلاق. قد تنتشر الميكروبات من الأطعمة غير المغلقة مسببة الروائح الكريهة. تخلص من أية أطعمة فاسدة أو منتهية الصلاحية داخل الجهاز.
- الباب لا يغلق.
- تسد أغلفة الطعام الباب أحيانا. <<< غير مكان الأطعمة التي تسد الأبواب.

- درجة حرارة المجمد منخفضة جدا، لكن درجة حرارة المبرد ملائمة.
- تم ضبط درجة حرارة حجرة المجمد على درجة متدنية جدا. <<< اضبط درجة حرارة حجرة المجمد على درجة أعلى وافحص مرة أخرى.
- درجة حرارة المبرد منخفضة جدا، لكن درجة حرارة المجمد ملائمة.
- تم ضبط درجة حرارة حجرة المبرد على درجة متدنية جدا. <<< اضبط درجة حرارة حجرة المجمد على درجة أعلى وافحص مرة أخرى.
- الأظعمة المحفوظة في جوارير حجرة المبرد متجمدة.
- تم ضبط درجة حرارة حجرة المبرد على درجة متدنية جدا. <<< اضبط درجة حرارة حجرة المجمد على درجة أعلى وافحص مرة أخرى.
- درجة الحرارة في المبرد أو المجمد عالية جدا.
- تم ضبط درجة حرارة حجرة المبرد على درجة عالية جدا. <<< يؤثر إعداد درجة حرارة حجرة المبرد على درجة حرارة حجرة المجمد. انتظر حتى تصل الأجزاء ذات الصلة إلى مستوى درجة الحرارة المرغوبة عبر تغيير درجة حرارة حجرة المجمد أو المبرد.
- تم فتح الأبواب كثيرا أو تركت مفتوحة لفترات طويلة. <<< لا تفتح الأبواب كثيرا.
- ربما يكون الباب مواربا. <<< أغلق الباب كليا.
- ربما تم توصيل الجهاز بالكهرباء مؤخرا أو تم وضع صنف طعام جديد داخله. <<< هذا أمر طبيعي. يستغرق الجهاز فترة أطول ليلوغ درجة الحرارة المعينة عند توصيله بالكهرباء حديثا أو عند وضع صنف طعام جديد داخله.
- ربما تم وضع كميات كبيرة من الطعام الساخن في الجهاز مؤخرا. <<< لا تضع الطعام الساخن داخل الجهاز.
- الاهتزاز أو الضجيج.
- الأرض غير مستوية أو متينة. <<< إذا كان الجهاز يهتز عند تحريكه ببطء، اضبط القواعد لموازنة الجهاز. تأكد أن الأرض متينة لدرجة تحمل الجهاز.

- لا يقف الجهاز بوضع رأسي كامل على الأرض. <<اضبط القواعد لموازنة الجهاز.
- الأرض غير مستوية أو متينة. <<تأكد أن الأرض مستوية ومتينة لدرجة تحمل الجهاز. **سلة الخضار عالقة.**
- ربما تلامس الأطعمة الجزء العلوي من الجارور. << أعد ترتيب الأطعمة في الجارور.
- إذا كان سطح المنتج ساخناً.
- يمكن ملاحظة ارتفاع درجات الحرارة بين البابين وعلى الألواح الجانبية والشبكة الخلفية أثناء تشغيل المنتج. وهذا أمر طبيعي ولا يحتاج إلى صيانة! كن حذراً عند لمس هذه المناطق.

تحذير:



إن استمرت المشكلة بعد اتباع تعليمات هذا القسم، فاتصل بالبائع أو بمركز خدمة معتمد. لا تحاول إصلاح الجهاز.

Kundendienst

Führen Sie auf keinen Fall Arbeiten, vor allem an den elektrischen Teilen des Gerätes, selbst aus.

Zuständige TEKA - Kundendienstadresse:

DEUTSCHLAND

EGS GmbH

Dieselstrasse 1

33397 Rietberg / DEUTSCHLAND

Kundentelefon für Deutschland: 02944 - 971 675 0

Telefax: 02944 - 971 677

E-Mail: tdv@egs-gmbh.de

Internet: www.egs-gmbh.de

Bitte geben Sie unbedingt an:

- Vollständige Anschrift und Telefon Nr.**
- Gerätetyp und Seriennummer.**
(Ist auf dem Rating Label zu sehen)
- Fehlerbeschreibung.**



TEKA

User Manual

TKI3 145 D EU
RSL 41150 BU EU

HR
SL
SV
DA
NO

www.teka.com

Molimo prvo pročitajte ovaj priručnik!

Poštovani kupci,

Nadamo se da će vam naš proizvod, proizveden u suvremenim postrojenjima i provjeren po strogim procedurama kontrole kvalitete, pružiti učinkovit rad.

Zbog toga vam preporučujemo da pažljivo pročitate cijeli priručnik proizvoda prije uporabe te da ga čuvate na pristupačnom mjestu zbog buduće uporabe.




Ovaj priručnik




- Će vam pomoći da koristite svoj uređak brzo i sigurno.
- Pročitajte priručnik prije instaliranja i rada s vašim proizvodom.
- Slijedite upute, posebno one vezane za sigurnost.
- Ćuvajte priručnik na lako dostupnom mjestu jer bam može zatrebati kasnije.
- Osim toga, također pročitajte druge dokumente dostavljene s vašim proizvodom.

Molimo imajte na umu da ovaj priručnik može vrijediti i za druge modele.

Simboli i njihovi opisi

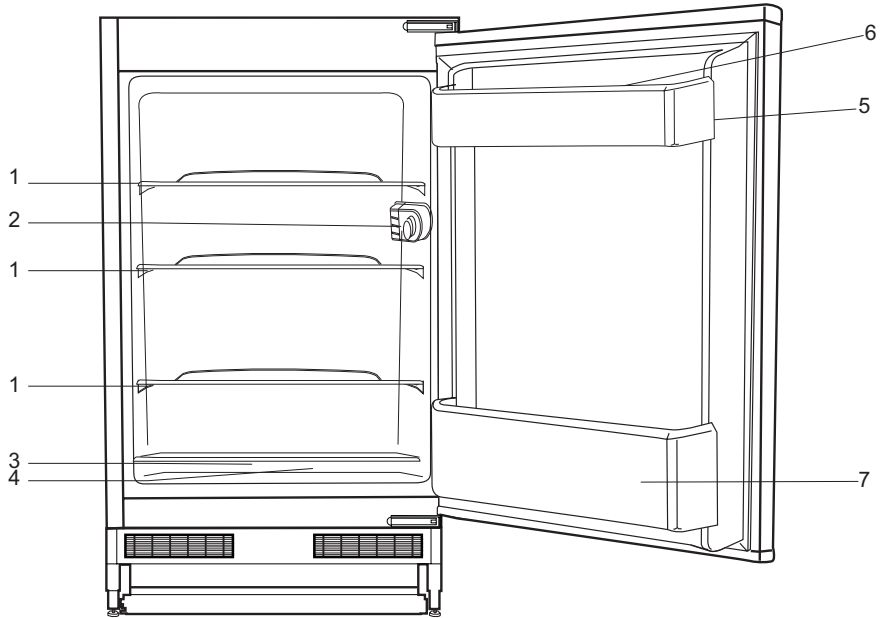
Ovaj korisnički priručnik sadrži sljedeće simbole:

-  Važne informacije ili korisni savjeti za uporabu.
-  Upozorenja protiv opasnosti po život i imovinu.
-  Upozorenje protiv električnog napona.

 PODACI	
	
<small>SUPPLIER'S NAME</small> A	<small>MODEL IDENTIFIER (*)</small> A
<small>Podaci o modelu pohranjeni u bazi podataka o proizvodu mogu se dobiti unosom sledeće mrežne stranice i pretragom po identifikacionom broju vašeg modela (*) koji se nalazi na oznaci potrošnje električne energije.</small>	
https://eprel.ec.europa.eu/	

1 Vaš hladnjak	3	4 Priprema	13
2 Važna sigurnosna upozorenja	4	5 Uporaba vašeg hladnjaka	14
Predviđena namjena	4	Odabir temperature rada	14
Za proizvode s raspršivačem za vodu;	6	Temperatura rada se regulira tipkom za kontrolu temperature.	14
Sigurnost djece	6	Kontrola I Podešavanje Temperature	14
Usklađenost s Direktivom o električnom i elektroničkom opremom (WEEE) i zbrinjavanju otpada:	6	Odmrzavanje	15
Usklađenost s Direktivom o zabrani uporabe određenih opasnih tvari u električnoj i elektroničkoj opremi (RoHS):	7	Zaustavljanje uređaja	15
Podaci o pakiranju	7	6 Održavanje i čišćenje	16
Upozorenje za HCA	7	Zaštita plastičnih površina	16
Stvari koje se trebaju uraditi za uštedu energije	7	7 Preporučena rješenja za probleme	17
3 Instalacija	8		
Stvari kojih se treba pridržavati kod ponovnog transporta vašeg hladnjaka	8		
Prije uključivanja vašeg hladnjaka	8		
Električno spajanje	8		
Odlaganje pakiranja	9		
Odlaganje stalnog hladnjaka	9		
Postavljanje i instalacija	9		
Stavljanje hladnjaka pod radnu površinu i podešavanje nogu	10		
Promjena lampice za osvjetljenje	11		
Mijenjanje smjera otvaranja vrata	12		

1 Vaš hladnjak



1. Police
2. Kućište termostata žarulje
3. Meso, kobasice, naresci, konzerve.
4. Voće, povrće, salate.
5. Tube, bočice i konzerve.
6. Odjeljak za jaja
7. Pića, velike boce.

f Brojke u ovom priručniku su shematske i možda neće biti potpuno usklađene s vašim proizvodom. Ako proizvod koji ste kupili nema određene dijelove, oni su valjani za druge modele.

2 Važna sigurnosna upozorenja

Molimo pregledajte sljedeće informacije. Nepridržavanje ovih informacija može uzrokovati ozljede ili materijalnu štetu. U suprotnom će sva upozorenja i obveze za pouzdanost postati nevaljane.

Vijek uporabe kupljenog uređaja je 10 godina. Ovo je razdoblje potrebno za čuvanje rezervnih dijelova da bi uređaj radio kako je opisano.

Predviđena namjena

Ovaj je proizvod predviđen za uporabu

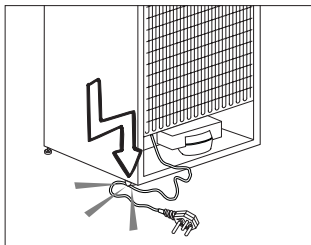
- u zatvorenom prostoru, npr. unutar kuće;
- u zatvorenim radnim okruženjima, kao što su trgovine i uredi;
- u zatvorenim prostorima za smještaj, kao što su kuće na farmama, hoteli, penzioni.
- Ovaj se proizvod ne smije se koristiti vani.

Opća sigurnost

- Kad budete željeli odložiti uređaj, preporučujemo da konzultirate ovlaštenu servis da biste saznali potrebne informacije i ovlaštena tijela.
- Konzultirajte se s ovlaštenim servisom za sva pitanja i probleme vezane za hladnjak. Nemojte intervenirati ili dopustiti da netko intervenira na hladnjaku bez prethodnog obavještanja ovlaštenih servisa.

- Za proizvode u odjeljku škrinje; Ne jedite kornete sladoleda i kockice leda odmah nakon vađenja kad ih izvadite iz odjeljka hladnjaka! (To može uzrokovati ozljede od hladnoće u vašim ustima.)
- Za proizvode s odjeljkom sa škrinjom; ne stavljajte tekućinu u bocama i konzervama u odjeljak škrinje. U suprotnom bi mogli puknuti.
- Ne dodirujte smrznutu hranu rukom; može vam se zaljepiti za ruku.
- Isključite svoj hladnjak prije čišćenja ili odmrzavanja.
- Para i raspršujuća sredstva za čišćenje se nikada ne smiju koristiti tijekom postupka čišćenja i odmrzavanja u vašem hladnjaku. U takvim slučajevima, para može doći u kontakt s električnim dijelovima i uzrokovati kratki spoj ili strujni udar.
- Nikada ne koristite dijelove vašeg hladnjaka, kao što su vrata, za pridržavanje ili za stajanje na njima.
- Ne koristite električne uređaje unutar hladnjaka.
- Ne oštećujte dijelove gdje cirkulira rashladno sredstvo pomoću alata za bušenje ili rezanje. Rashladno sredstvo koje može eksplodirati kad se plinski kanali isparivača, produžetka cijevi ili površinskih premaza probuše, može uzrokovati iritaciju kože i ozljede oka.
- Ne pokrivajte i ne blokirajte otvore za ventilaciju na vašem hladnjaku bilo kakvim materijalom.

- električne aparate smiju popravljati samo ovlaštene osobe. Popravke koje izvrše nestručne osobe mogu predstavljati rizik za korisnika.
- U slučaju bilo kakvog kvara tijekom održavanja ili popravke, otpojite hladnjak s napajanja ili isključivanjem odgovarajućeg osigurača ili isključivanjem vašeg uređaja iz struje.
- Kod isključivanja utikača, nemojte povlačiti za kabel.
- Stavite jača pića čvrsto zatvorena i uspravno.
- Nikada ne držite konzerve sa sprejevima koji sadrže zapaljive i eksplozivne tvari u hladnjaku.
- Ne koristite mehaničke uređaje ili druge načine za ubrzavanje procesa topljenja, osim onih koje preporuča proizvođač.
- Ovaj uređaj nije namijenjen uporabi od strane osoba s fizičkim osjetilnim ili mentalnim nedostacima ili osoba bez znanja ili iskustva (uključujući djecu), osim ako su pod nadzorom osobe koja će biti odgovorna za njihovu sigurnost ili koja će ih valjano uputiti o uporabi proizvoda.
- Ne uključujte oštećeni hladnjak. Konzultirajte se sa servisierom ako imate bilo kakvih nedoumica.
- Za električnu sigurnost vašeg hladnjaka se jamči samo ako je uzemljenje u vašoj kući u skladu sa standardima.
- Izlaganje proizvoda kiši, snijegu, suncu i vjetru je opasno u pogledu električne sigurnosti.
- Kad je oštećen kabel, javite se ovlaštenom servisu da izbjegnute opasnost.
- Nikada ne uključujte hladnjak u zidnu utičnicu tijekom instalacije. Inače može doći do opasnosti po život ili ozbiljne ozljede.
- Hladnjak je namijenjen samo držanju hrane. Ne smije se koristiti u bilo koje druge svrhe.
- Najlepnica s tehničkim specifikacijama se nalazi na lijevoj stijenci unutar hladnjaka.
- Nikada ne spajajte hladnjak na sustave za uštedu energije; oni mogu oštetiti hladnjak.
- Ako na hladnjaku postoji plavo svjetlo, nemojte gledati u plavo svjetlo optičkim alatima.
- Za hladnjake kojima se upravlja manualno, sačekajte bar 5 minuta da biste uključili hladnjak nakon nestanka el. energije.
- Ukoliko se uređaj da nekom drugom, korisnički priručnik se mora predati novom vlasniku.
- Pazite da ne oštetite kabel kod prijevoza hladnjaka. Presavijanje kabela može uzrokovati požar. Nikada ne stavljajte teške predmete na kabel napajanja. Ne dodirujte utikač mokrim rukama kad uključujete uređaj.
- Ne uključujte hladnjak ako je električna utičnica labava.



- Voda se ne smije špricati izravno na unutarnje ili vanjske dijelove proizvoda zbog sigurnosnih razloga.
- Nemojte špricati tvari koje sadrže zapaljive plinove kao što je propan blizu hladnjaka da biste izbjegli opasnost od požara i eksplozije.
- Nikada na hladnjak ne stavljajte posude s vodom, jer inače mogu uzrokovati električni udar ili požar.
- Nemojte prepuniti hladnjak s previše hrane. Ako se prepuni, hrana može pasti i ozlijediti vas kad otvorite vrata. Nikad ne stavljajte predmete na hladnjak, inače ti predmeti mogu pasti kad otvarate ili zatvarate vrata hladnjaka.
- Proizvodi za koje je potrebna precizna kontrola temperature, cjepiva, lijekovi osjetljivi na toplinu, znanstveni materijali, itd. se ne smiju držati u hladnjaku.
- Ako se neće koristiti dulje vrijeme, hladnjak se treba isključiti. Mogući problem na kabelu napajanja može uzrokovati požar.
- Vrh utikača se treba redovito čistiti, u suprotnom može uzrokovati požar.
- Vrh čepa se treba čistiti redovito suhom krpom; u suprotnom, može izazvati požar.
- Hladnjak se može pomaknuti ako podesive noge nisu pravilno pričvršćena na podu. Pravilno pričvršćivanje podesivih nogu na podu može spriječiti pomicanje hladnjaka.
- Kad nosite hladnjak, nemojte ga držati za ručku vrata. U suprotnom, može puknuti.

- Kad morate staviti svoj proizvod pored drugog hladnjaka ili škrinje, udaljenost između uređaja treba biti najmanje 8 cm. U suprotnom, susjedne bočne stjenke se mogu navlažiti.

Za proizvode s raspršivačem za vodu;

Plak vode treba biti najmanje 1 bar.
Plak vode treba biti najviše 8 bara.

- Koristite samo pitku vodu.

Sigurnost djece

- Ako vrata imaju bravu, ključ se treba držati podalje od dosega djece.
- Djeca moraju biti pod nadzorom da bi se spriječilo neovlašteno korištenje proizvoda.

Usklađenost s Direktivom o električnom i elektroničkom opremom (WEEE) i zbrinjavanju otpada:



Ovaj proizvod usklađen je EU Direktivom WEEE (2012/19/EU). Ovaj proizvod nosi lasifikacijsku oznaku za električni i elektronski otpad (WEEE).

Ovaj je proizvod proizveden s visokokvalitetnim dijelovima i materijalima koji se mogu ponovno upotrijebiti i prikladni su za reciklažu. Ne odlažite otpadne uređaje s normalnim otpadom iz kućanstva i drugim otpadom na kraju servisnog vijeka. Odnosite ga u sabirni centar

za recikliranje električne i elektroničke opreme. Obratite se lokalnim vlastima da biste saznali više informacija o sabirnim centrima.

Usklađenost s Direktivom o zabrani uporabe određenih opasnih tvari u električnoj i elektroničkoj opremi (RoHS):

Proizvod koji ste kupili usklađen je s EU Direktivom RoHS (2011/65/EU). Ne sadrži štetne i zabranjene materijale navedene u Direktivi.

Podaci o pakiranju

Ambalažni materijali proizvoda proizvedeni su od reciklirajućih materijala sukladno našim nacionalnim propisima o zaštiti okoliša. Ambalažne materijale ne odlažite skupa s kućnim ili drugim otpadom. Odnosite ih u sabirne centre ambalažnog otpada koje su odredile lokalne vlasti.

Upozorenje za HCA

Ako rashladni sustav vašeg uređaja sadrži R600a:

Ovaj plin je zapaljiv. Zato pazite da tijekom uporabe i transporta ne oštetite sustav za hlađenje i cijevi. U slučaju oštećenja, držite uređaj podalje od potencijalnog izvora plamena koji može dovesti do toga da uređaj zapali, te prozračujete sobu u kojoj se nalazi uređaj.

Ignorirajte ovo upozorenje ako rashladni sustav vašeg uređaja sadrži R134a.

Vrsta plina koja se koristi u proizvodu je navedena na tipskoj pločici koja je na lijevoj stijenci unutar hladnjaka.

Nikada kod odlaganja ne bacajte uređaj u vatru.

Stvari koje se trebaju uraditi za uštedu energije

- Ne ostavljajte vrata vašeg hladnjaka otvorena dulje vrijeme.
- Ne stavljajte toplu hranu ili pića u hladnjak.
- Nemojte prepuniti hladnjak tako da se ne sprječava cirkuliranja zraka u unutrašnjosti.
- Ne postavljajte vaš hladnjak izravno na sunčevu svjetlost ili blizu uređaja koji emitiraju toplinu kao što su pećnice, perilice suđa ili radijatori.
- Pazite da držite svoju hranu u zatvorenim posudama.
- Za uređaje s odjeljkom škrinje; možete spremiti maksimalnu količinu hrane u škrinju kad uklonite policu ili ladicu škrinje. Vrijednost potrošnje energije koja je navedena za vaš hladnjak je određena tako da je uklonjena policu ili ladicu škrinje i pod maksimalnim opterećenjem. Ne postoji opasnost od uporabe police ili ladice prema oblicima i veličinama hrane koja će biti zamrznuta.
- Topljenje smrznute hrane u odjeljku hladnjaka će osigurati uštedu energije u sačuvati kvalitetu hrane.

3 Instalacija

⚠ Molimo imajte na umu da se proizvođač neće smatrati odgovornim ukoliko se ne budete pridržavali informacija navedenih u korisničkom priručniku.

Stvari kojih se treba pridržavati kod ponovnog transporta vašeg hladnjaka

1. Vaš hladnjak mora biti ispražnjen i očišćen prije bilo kakvog transporta.
2. Police, dodaci, odjeljak za povrće itd. u vašem hladnjaku moraju biti čvrsto pričvršćeni ljepljivom trakom zbog treskanja prije ponovnog pakiranja.
3. Pakiranje se mora pričvrstiti ljepljivom trakom i mora se pridržavati pravila o transportu ispisanih na pakiranju.

Molimo ne zaboravite...

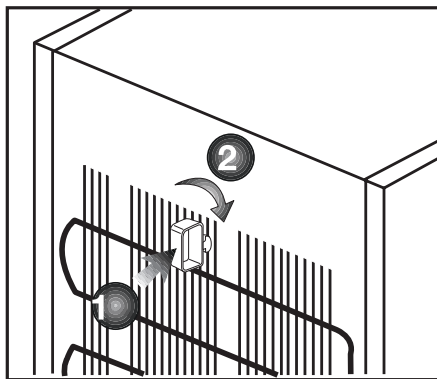
Svaki reciklirani materijal je nezamjenjiv izvor za prirodu i za naše nacionalne izvore.

Ako želite pridonijeti reciklaži materijala pakiranja, možete dobiti dodatne informacije od ureda za okoliš ili lokalnih vlasti.

Prije uključivanja vašeg hladnjaka

Prije početka uporabe vašeg hladnjaka provjerite sljedeće:

1. Je li unutrašnjost hladnjaka suha i može li zrak slobodno cirkulirati sa stražnje strane?
2. Prednji krajevi hladnjaka mogu biti topli na opip. To je normalno. Ova područja su napravljena da budu topla da bi se se izbjegla kondenzacija. Možete postaviti 2 plastična klina kako je prikazano na



slici. Plastični klinovi će dati osigurati potrebnu udaljenost između vašeg hladnjaka i zida da bi se omogućilo cirkuliranje zraka. (Slika s ilustracijom je samo primjer i ne odgovara u potpunosti vašem proizvodu.)

3. Čut ćete buku kad kompresor počne raditi. Tekućine i plinovi zabrtvljeni u rashladnom sustavu također mogu stvarati buku, čak i kad kompresor ne radi i to je potpuno normalno.
4. Prednji krajevi hladnjaka mogu biti topli na opip. To je u normalno. Ova područja su napravljena da budu topla da bi se se izbjegla kondenzacija.

Električno spajanje

Spojite svoj proizvod u uzemljenu utičnicu koja je zaštićena osiguračem odgovarajućeg kapaciteta.

Važno:

- Spoj mora biti u skladu s nacionalnim zakonskim odredbama.
- Kabel napajanja mora biti lako dostupan nakon postavljanja.
- Navedeni napon mora biti jednak naponu el. energije.

- Produžni kabeli i razvodnici se ne smiju koristiti za spajanje.

⚠ Oštećeni kabel napajanja mora zamijeniti kvalificirani električar.

⚠ Proizvod ne smije raditi prije popravke! Postoji opasnost od električnog udara!

Odlaganje pakiranja

Materijali pakiranja mogu biti opasni za djecu. Čuvajte materijale pakiranja dalje od dohvata djece ili ih odložite svrstavanjem u skladu s uputama o odlaganju. Nemojte ih odlagati s normalnim otpadom iz kućanstva.

Pakiranje vašeg hladnjaka je proizvedeno od recikliranih materijala.

Odlaganje stalnog hladnjaka

Odlaganje vašeg starog stroja bez štete za okoliš.

- O odlaganju vašeg hladnjaka se možete konzultirati s vašim ovlaštenim dobavljačem ili centrom za sakupljanje otpada u vašoj općini.

Prije odlaganja vašeg hladnjaka, odrežite električni utikač i, ukoliko postoje bilo kakve brave na vratima, onesposobite ih da biste zaštitili djecu od bilo kakve opasnosti.

Postavljanje i instalacija

⚠ Ako ulaz u prostoriju gdje će biti postavljen hladnjak nije dovoljno širok da hladnjak kroz njega prođe, pozovite ovlaštenu servis da skine vrata vašeg hladnjaka tako da kroz vrata prođe bočno.

1. Instalirajte vaš hladnjak na mjesto koje dopušta laku uporabu.
2. Držite vaš hladnjak podalje od izvora topline, vlažnih mjesta i direktne sunčeve svjetlosti.

3. Da bi se postigao učinkoviti rad, oko vašeg hladnjaka mora postojati odgovarajuća ventilacija. Ako se hladnjak treba postaviti u otvor u zidu, mora postojati udaljenost najmanje 5 cm od plafona i 5 cm od zida.
4. Ako je pod prekriven tepihom, vaš uređaj mora biti podignut od poda 2.5 cm. Stavite svoj hladnjak na ravnu površinu poda da biste spriječili udarce.

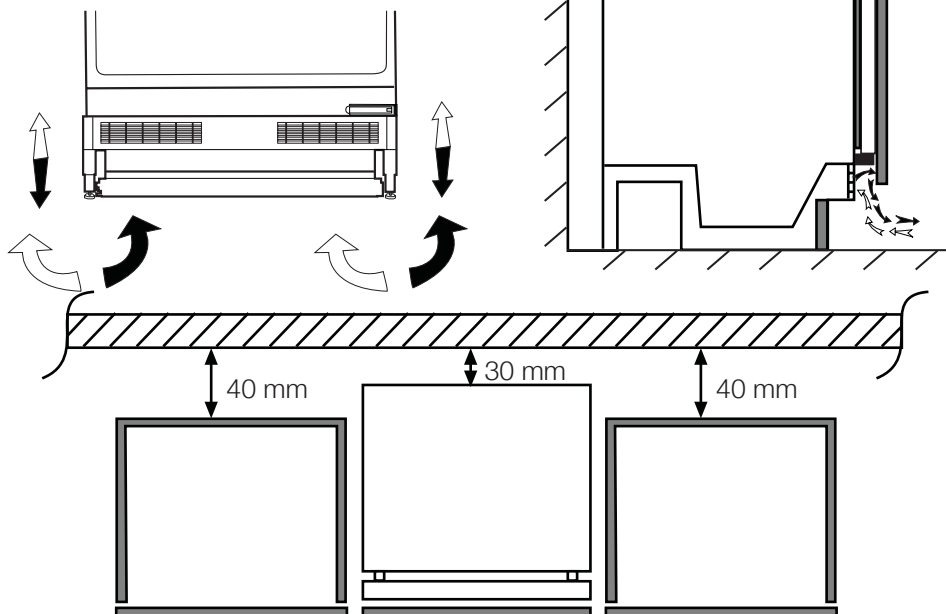
Stavljanje hladnjaka pod radnu površinu i podešavanje nogu

Kad postavite svoj hladnjak, udaljenost između proizvoda i zida mora biti najmanje 30 mm kako se vidi na slici.

Kanalice za usisavanje zraka ne smiju biti blokirane, tako da se performanse vašeg hladnjaka ne smanje. (140 cm²)

Ako je vaš hladnjak nestabilan;

Možete okrenuti prednje nožice hladnjaka kako je prikazano na slici, da bi stajao u ravnoteži. Kut nožice se smanjuje kad se nožica okreće u smjeru crne strelice; povećava se kad se nožica okreće u suprotnom smjeru. Bit će vam lakše ako imate nečiju pomoć da malo podigne uređaj tijekom ovog postupka.



Promjena lampice za osvjetljenje

Da biste zamijenili lampicu koja se koristi za osvjetljavanje, molimo nazovite svoj ovlaštenu servis.

Lampa koja se koristi u ovom uređaju nije podesna za uporabu za osvjetljenje doma. Predviđena namjena ove lampe je da pomogne korisniku da stavi hranu u hladnjak/škrinju na siguran i ugodan način.

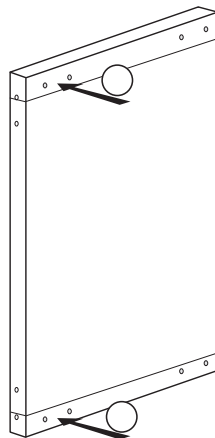
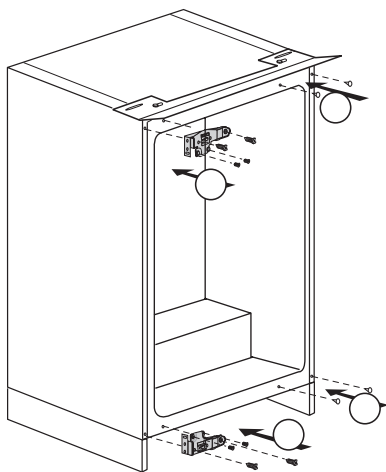
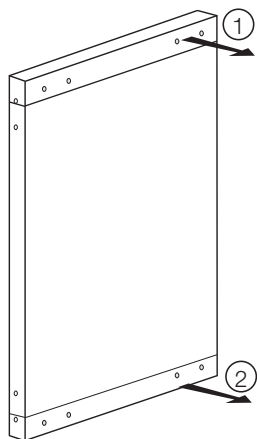
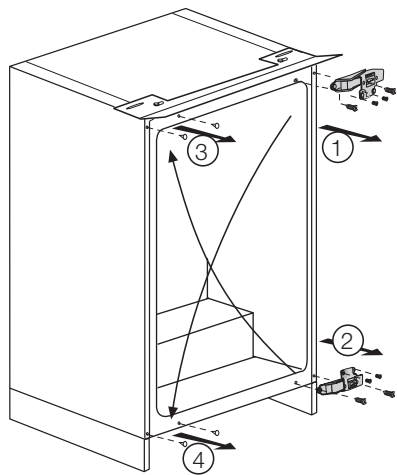
Svjetiljke ovog uređaja moraju podnijeti ekstremne uvjete poput temperatura nižih od -20 °C.

Ovaj proizvod opremljen je izvorom osvjetljenja energetske klase „G“.

Izvor osvjetljenja u ovom proizvodu smiju zamijeniti samo stručni serviseri.

Mijenjanje smjera otvaranja vrata

Nastavite po rednim brojevima

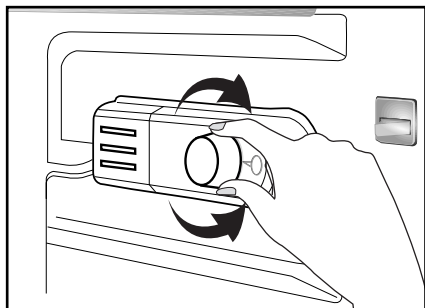


4 Priprema

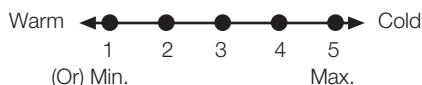
- i** Vaš hladnjak se treba postaviti najmanje 30 cm od izvora topline kao što su plamenici, pećnice, grijalice i štednjaci i najmanje 5 cm dalje od električnih pećnica te se ne smiju stavljati na direktnu sunčevu svjetlost.
- i** Sobna temperatura u prostoriji u koju postavite hladnjak treba biti najmanje 10°C. Rad vašeg hladnjaka u hladnijim uvjetima od navedenih se ne preporuča vezano za učinkovitost.
- i** Pazite da se unutrašnjost vašeg hladnjaka temeljito čisti.
- i** Ako se dva hladnjaka trebaju instalirati jedan do drugog, između njih treba postojati razmak od najmanje 2 cm.
- i** Kada prvi put uključite hladnjak, molimo pridržavajte se sljedećih uputa tijekom prvih šest sati.
 - Vrata se ne smiju često otvarati.
 - Mora raditi prazan, bez ikakve hrane u njemu.
 - Ne isključujte vaš hladnjak. Ako dođe do nestanka el. energije na koji ne možete utjecati, molimo pogledajte upozorenja u dijelu "Preporučena rješenja problema".
- i** Originalno pakiranje i materijali od pjene se trebaju čuvati zbog budućeg transporta ili selidbe.

5 Uporaba vašeg hladnjaka

Odabir temperature rada



Temperatura rada se regulira tipkom za kontrolu temperature.



1 = Najniža postavka hlađenja (najtoplija postavka)

5 = Najviša postavka hlađenja (najhladnija postavka)

(Ili)

Min. = Najniža postavka hlađenja
(Najtoplija postavka)

Max. = Najviša postavka hlađenja
(Najhladnija postavka)

Prosječna temperatura unutar hladnjaka treba biti oko +5°C.

Molimo odaberite postavku prema željenoj temperaturi.

Molimo imajte na umu da će u prostoru za hlađenje biti različitih temperatura.

Najhladniji dio je odmah iznad odjeljka za povrće.

Unutarnja temperatura također ovisi o temperaturi okoline, učestalosti otvaranja vrata i količini hrane koja se nalazi unutra.

Često otvaranje vrata dovodi do rasta unutarnje temperature.

Zbog tog razloga, preporučamo zatvaranje vrata nakon uporabe što je češće moguće.

Kontrola i Podešavanje Temperature

Radne temperature se kontroliraju gumbom termostata (pogledajte dijagram). Postavke se mogu podesiti od 1 do 5, što je najhladnija postavka. Kad se uređaj prvi put uključi, termostat se treba prilagoditi tako da nakon 24 sata prosječna temperatura hladnjaka nije viša od 5°C.

Preporučujemo postavljanje termostata na polovici između postavki 1 i 10 i nadzor da biste dobili željenu temperaturu, tj. prema 5, dobit ćete nižu temperaturu hladnjaka i obrnuto. Deki dijelovi hladnjaka ili zamrzivača mogu biti hladniji ili topliji (kao odjeljak za salatu i povrće i vrh kućišta), što je sasvim normalno.

Kod temperatura okoline iznad 25°C (77°F), posebno ljeti, okrenite tipku termostata prema 5. Kod temperatura okoline ispod 25°C (77°F), okrenite tipku termostata do pola.

Često otvaranje vrata uzrokuje više unutarnje temperature, stoga zatvarajte vrata što prije nakon uporabe.

U slučaju privremenog stvaranja leda u odjeljku hladnjaka, smanjite postavku na 1, nadgledajući istodobno da je odjeljak hladnjaka najviše +5 stupnjeva C (41 stupnjeva F). Kad nestanu nakupine leda i uređaj se

5

počne uobičajeno automatski odmrzavati, možete po potrebi povećati postavku.

-

Odmrzavanje

4

Hladnjak za ostavu se automatski odmrzava.

-

Odmrznuta voda ide u cijev za odvodnju preko kanala za sakupljanje i isparava u poseban spremnik (1) na stražnjem dijelu aparata (pogledajte dijagram).

3

-

2

-

1

-

0

Za vrijeme odmrzavanja, kapi vode se mogu stvarati na stražnjem dijelu hladnjaka gdje se nalazi sakriven uređaj za isparavanje. Neke kapi mogu ostati na kućištu i zamrznuti se kad je odmrzavanje gotovo. Ne koristite oštre predmete kao što su noževi ili vilice da biste uklonili kapi koje su se ponovno zamrznule.

Ako se, bilo kada, voda od odmrzavanja ne odlijeva iz kanala za sakupljanje, provjerite da dijelovi hrane nisu začepili cijev za odvodnju. Cijev za odvodnju se može čistiti guranjem dostavljenog posebnog plastičnog alata kroz cijev za odvodnju (Slika 2).

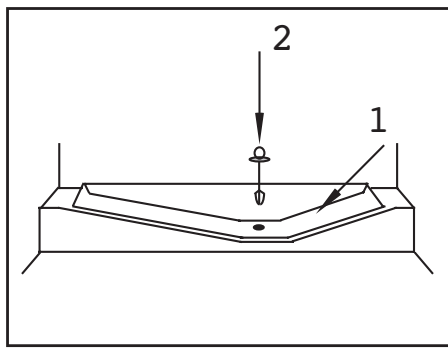
Zaustavljanje uređaja

Ako je vaš termostatski uređaj opremljen s položajem „0“:

- Vaš uređaj će prestati raditi kad okrenete tipku termostata na položaj „0“ (nula). Vaš uređaj se neće pokrenuti ako ne okrenete tipku termostata ponovno na položaj „1“ ili neki drugi položaj.

Ako je vaš termostatski uređaj opremljen s položajem „min“:

- Isključite uređaj s napajanja da biste ga zaustavili.



6 Održavanje i čišćenje

- ⚠ Nikada za čišćenje nemojte koristiti benzin ili slične materijale.
- ⚠ Savjetujemo da isključite uređaj iz struje prije čišćenja.
- ℹ Nikada za čišćenje nemojte koristiti oštre predmete ili abrazivne tvari, sapun, tekućinu za čišćenje kućanstva, deterdžent ili vosak za poliranje.
- ℹ Koristite mlaku vodu za čišćenje kutije hladnjaka i osušite ga krpom.
- ℹ Koristite ocijeđenu vlažnu krpu potopljenu u otopini jedne žličice sode bikarbone na pola litre vode da biste očistili unutrašnjost i osušite je krpom.
- ⚠ Pazite da voda ne uđe u kućište lampe i druge električne dijelove.
- ⚠ Ako se aparat neće koristiti dulje vrijeme, isključite ga, izvadite svu hranu, očistite ga i ostavite vrata otvorena.
- ℹ Provjeravajte brtve na vratima redovito da biste bili sigurni da su čisti i da na njima nema komadića hrane.
- ℹ Da biste skinuli police s vrata, izvadite sav sadržaj i tada jednostavno gurnite policu vrata gore iz osnove.
- ℹ Nikad ne upotrebljavajte sredstva za čišćenje ili vodu koja sadrži klor za čišćenje vanjskih površina ili kromiranih dijelova proizvoda. Klor uzrokuje koroziju na takvim metalnim površinama.

Zaštita plastičnih površina

- ℹ Ne stavljajte tekuće ulje ili jela kuhana na ulju u vaš hladnjak u nezatvorenim posudama jer oni mogu oštetiti plastične površine hladnjaka. U slučaju prolijevanja ili razmazivanja ulja na plastičnim površinama, odmah očistite i isperite odgovarajuće dijelove površine toplom vodom.

7 Preporučena rješenja za probleme

Molimo provjerite popis prije zvanja servisa. To vam može uštedjeti vrijeme i novac. Popis sadrži česte reklamacije koje nisu posljedica oštećenja u proizvodnji ili uporabi. Neke od opisanih mogućnosti možda ne postoje na vašem proizvodu.

Hladnjak ne radi
<ul style="list-style-type: none">• Je li hladnjak pravilno uključen na napajanje? Uključite utikač u utičnicu u zidu.• Je li pregorio osigurač utičnice na koju je priključen vaš hladnjak? Provjerite osigurač.
kondenzacija na bočnoj stijenci odjeljka hladnjaka. (MULTIZONA, UPRAVLJANJE HLADNJEJEM i FLEKSI ZONA)
<ul style="list-style-type: none">• Jako hladna okolina. Često otvaranje i zatvaranje vrata. Jako vlažna okolina. Čuvanje hrane koja sadrži tekućinu u otvorenim posudama. Ostavljanje vrata odškrinutim.• Prebacivanje termostata na hladniji stupanj.• Smanjivanje vremena kad su vrata otvorena ili rjeđa uporaba.• Prekrivanje hrane spremljene u otvorenim posudama odgovarajućim materijalom.• Obrišite kondenzat pomoću suhe krpe i provjerite ukoliko se i dalje javlja.
Kompresor ne radi
<ul style="list-style-type: none">• Zaštitni termički dio kompresora će pregoriti tijekom naglih nestanaka el. energije ili isključivanja priključaka jer tlak rashladnog sredstva u sustavu za hlađenje hladnjaka nije jooš izbalansiran.• Vaš hladnjak će početi s radom otprilike nakon 6 minuta. Molimo nazovite servis ako se vaš hladnjak ne uključi na kraju ovog razdoblja.• Hladnjak je u ciklusu odmrzavanja. To je normalno za hladnjak s potpuno automatskim odmrzavanjem. Ciklus za odmrzavanje se događa periodički.• Vaš hladnjak nije uključen u utičnicu. Pazite da je utikač dobro utaknut u zidnu utičnicu.• Je li temperatura pravilno postavljena? Došlo je do nestanka struje. Zovite vašeg dobavljača el.energije.

Hladnjak radi često ili dugotrajno.

- Vaš novi hladnjak je možda širi od prethodnog. To je u potpunosti normalno. Veći hladnjaci rade dulje.
- Sobna temperatura je možda visoka. To je potpuno normalno.
- Hladnjak je možda nedavno priključen na el.energiju ili je možda napunjen hranom. Potpuno hlađenje hladnjaka može trajati nekoliko sati dulje.
- Možda su nedavno u hladnjak stavljene velike količine tople hrane. Topla hrana uzrokuje dulji rad hladnjaka dok ne dostigne sigurnu temperaturu za čuvanje.
- Vrata su možda često otvarana ili ostavljena odškrinuta dulje vrijeme. Topli zrak koji je ušao u hladnjak uzrokuje da hladnjak radi dulje vrijeme. Rjeđe otvarajte vrata.
- Vrata škrinje ili hladnjaka su možda bila odškrinuta. Provjerite jesu li vrata čvrsto zatvorena.
- Hladnjak je postavljen na vrlo nisku temperaturu. Prilagodite temperaturu hladnjaka na topliju razinu dok se ne postigne temperatura.
- Brtva vrata hladnjaka ili škrinje može biti prijava, pohabana, oštećena ili nije dobro sjela. Očistite ili zamijenite brtvu. Oštećena/pokidana brtva uzrokuje dulji rad hladnjaka da bi se održala trenutna temperatura.

Temperatura hladnjaka je vrlo niska dok je temperatura frižidera dovoljna.

- Temperatura hladnjaka je postavljena na vrlo nisku temperaturu. Prilagodite temperaturu hladnjaka na topliji stupanj i provjerite.

Temperatura frižidera je vrlo niska dok je temperatura hladnjaka dovoljna.

- Temperatura hladnjaka je postavljena na vrlo nisku temperaturu. Prilagodite temperaturu hladnjaka na topliji stupanj i provjerite.

Hrana koja se čuva i ladicama hladnjaka se smrzava.

- Temperatura hladnjaka je postavljena na vrlo nisku temperaturu. Prilagodite temperaturu hladnjaka na topliji stupanj i provjerite.

Temperatura u hladnjaku ili škrinji je previsoka.

- Temperatura hladnjaka je postavljena na vrlo visoku temperaturu. Prilagođavanje hladnjaka ima utjecaja na temperaturu škrinje. Mijenjajte temperaturu hladnjaka ili škrinje dok temperatura hladnjaka ili škrinje ne dosegne dovoljnu razinu.
- Možda su vrata odškrinuta. Zatvorite vrata do kraja.
- Možda su nedavno u hladnjak stavljene velike količine tople hrane. Čekajte dok hladnjak ili škrinja ne dosegnu željenu temperaturu.
- Hladnjak je možda uključen nedavno. Potpuno hlađenje hladnjaka može potrajati zbog veličine.

Iz hladnjaka dolazi buka slična sekundama oja se čuje iz analognog sata.
<ul style="list-style-type: none"> Ova buka dolazi iz elektromagnetskog ventila hladnjaka. Elektromagnetski ventil služi osiguravanju prolaska rashladnog sredstva kroz odjeljak koji se može prilagoditi temperaturama hlađenja ili zamrzavanja i obavljanja funkcija hlađenja. to je normalno i nije uzrok kvara.
Buka tijekom rada se povećava kad hladnjak radi.
<ul style="list-style-type: none"> Radne performanse hladnjaka se mogu promijeniti ovisno o promjenama sobne temperature. To je normalno i ne predstavlja kvar.
Vibracije ili buka.
<ul style="list-style-type: none"> Pod nije ravan ili je slab. Hladnjak se njiše kad se polako pomiče. Pazite da je pod ravan, jak i da može nositi hladnjak. Buka može biti uzrokovana predmetima koji se nalaze na hladnjaku. Takvi predmeti se moraju ukloniti s hladnjaka.
Čuje se buka poput prolijevanja tekućine ili špricanja.
<ul style="list-style-type: none"> Protok tekućine i plinova se događa u skladu s radnim principima vašeg hladnjaka. To je normalno i ne predstavlja kvar.
Čuje se buka poput puhanja vjetra.
<ul style="list-style-type: none"> Aktivatori zraka (ventilatori) se koriste da bi se hladnjak učinkovito hladio. To je normalno i ne predstavlja kvar.
Kondenzacija na unutarnjim stjenkama hladnjaka.
<ul style="list-style-type: none"> Toplo i vlažno vrijeme povećava nastanak leda i kondenziranje. To je normalno i ne predstavlja kvar. Vrata su odškrinuta. Pazite da su vrata zatvorena do kraja. Vrata su možda često otvarana ili su dulje vrijeme bila otvorena. Rjeđe otvarajte vrata.
Vlaga se pojavljuje na vanjskom dijelu hladnjaka ili između vrata.
<ul style="list-style-type: none"> Možda je vlažno vrijeme. To je potpuno normalno kod vlažnog vremena. Kad je vlažnost manja, kondenzat će nestati.
Neugodan miris unutar hladnjaka.
<ul style="list-style-type: none"> Mora se očistiti unutrašnjost hladnjaka. Očistite unutrašnjost hladnjaka spužvom, toplom ili gaziranom vodom. Neugodan miris možda uzrokuju neke posude ili materijali pakiranja. Koristite neku drugu posudu ili drugačiju marku materijala za pakiranje.
Vrata se ne zatvaraju.
<ul style="list-style-type: none"> Paketi hrane možda sprječavaju zatvaranje vrata. Uklonite pakete hrane koji smetaju vratima. Hladnjak vjerojatno nije potpuno okomit prema podu i možda se njiše kad se lagano pomiče. Prilagodite vijke za podizanje. Pod nije ravan ili jak. Pazite da je pod ravan i da može nositi hladnjak.
Odjeljci za voće i povrće su zaglavljani.
<ul style="list-style-type: none"> Hrana možda dodiruje vrh ladiice. Presložite hranu u ladiici.

Prosimo, da najprej preberete navodila za uporabo!

Dragi kupec,

upamo, da bo naprava, ki je bila izdelana v modernih obratih in preizkušena z natančnimi postopki kakovosti, zagotovila učinkovito delovanje.

Zato priporočamo, da pred uporabo pazljivo preberete celotna navodila za uporabo naprave in jih hranite v bližini, saj jih boste morda potrebovali v prihodnje.

Priročnik

- Priročnik vam bo pomagal pri hitri in varni uporabi naprave.
- Priročnik preberite preden napravo namestite in uporabite.
- Sledite navodilom, predvsem varnostnim.
- Priročnik hranite na lahko dosegljivem mestu, saj ga boste morda kasneje potrebovali.
- Poleg tega preberite tudi ostale dokumente, ki so priloženi napravi.
- Prosimo upoštevajte, da je priročnik lahko veljaven tudi za druge modele.




Simboli in njihov opis

Navodila za uporabo vsebujejo naslednje simbole:

 Pomembne informacije in koristni nasveti za uporabo.

 Opozorila pred nevarnostmi za življenje in lastnino.

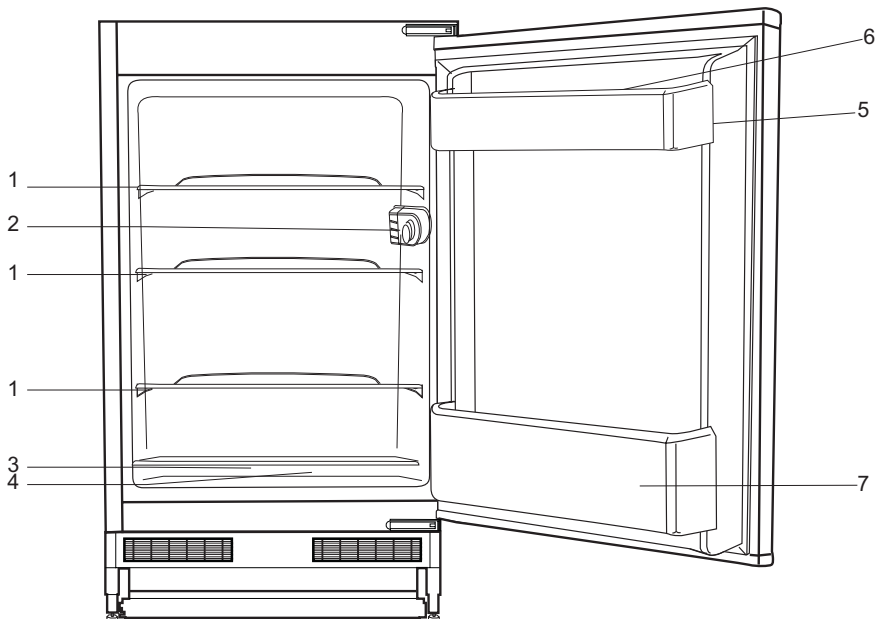
 Opozorila pred električno napetostjo.

 INFORMACIJE	
 <small>SUPPLIER'S NAME</small> A	 <small>MODEL IDENTIFIER (*)</small> A
<small>Do informacij o modelu, ki so shranjene v zbirki podatkov o izdelkih, lahko pridete tako, da obiščete naslednje spletno mesto in poiščete identifikator modela (*), ki je naveden na energijski nalepki.</small>	
<small>https://eprel.ec.europa.eu/</small>	

VSEBINA

1 Vaš hladilnik	3	4 Priprava	13
2 Pomembna varnostna opozorila	4	5 Uporaba hladilnika	14
Namen uporabe	4	Nastavljanje delovne temperature	14
Za naprave z dispenzerjem za vodo; ..	6	Delovno temperaturo uravnavate z nadzorom za temperaturo.	14
Varnost otrok.....	6	Nadzor In Nastavitev Temperature ...	14
Skladnost z direktivo OEEO in odstranjevanjem odpadnih izdelkov: ..	6	Odtajanje.....	15
Skladnost z direktivo RoHS:	6	Zaustavitev naprave.....	15
Informacije o embalaži	7	6 Vzdrževanje in čiščenje	16
Opozorilo HCA	7	Zaščita plastičnih površin	16
Varčevanje z energijo	7	7 Priporočljive rešitve za težave	17
3 Namestitev	8		
Napotki, ki jih je treba upoštevati ob ponovnem prevozu hladilnika.....	8		
Pred uporabo hladilnika	8		
Električna povezava	8		
Odstranjevanje embalaže.....	9		
Odstranjevanje starega hladilnika.....	9		
Namestitev in montaža	9		
Namestitev hladilnika pod pult in nastavitev nog	10		
Zamenjava žarnice	11		
Obrniti vrata.....	12		

1 Vaš hladilnik



1. Police na trupu
2. Luč ohišja termostata
3. Meso, klobase, hladni kosi, konzerve.
4. Sadje, zelenjava, solata.
5. Pločevinke, majhne steklenice in konzerve.
6. Predel za jajca
7. Pijače, velike steklenice.

i Slike v teh navodilih so informativnega značaja in morda popolnoma ne ustrezajo vaši napravi. Če izdelek, ki ste ga kupili ne vsebuje prikazanih delov, potem so le-ti veljavni za druge modele.

2 Pomembna varnostna opozorila

Prosimo, preglejte naslednje informacije. Če ne boste upoštevali teh informacij, lahko pride do telesnih poškodb ali poškodb materiala. V nasprotnem primeru garancija in zanesljivost nista veljavni.

Tehnična življenjska doba naprave, ki ste jo kupili, je 10 let. Za ta čas hranite rezerve dele, ki so potrebni za delovanje naprave.

Namen uporabe

Naprava je namenjena uporabi

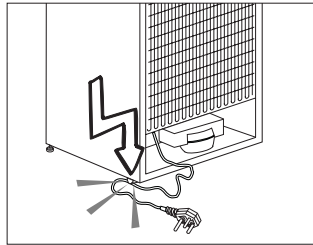
- znotraj in v zaprtih prostorih, kot so domovi;
- v zaprtih delovnih prostorih kot so trgovine ali pisarne;
- v zaprtih prostorih za nastanitev, kot so kmetije, hoteli, penzioni.
- Naprave ne uporabljajte na prostem.

Splošna varnost

- Ko želite proizvod odstraniti/odvreči, Vam priporočamo, da se posvetujete s pooblaščen servisno službo in organi, da pridobite potrebne informacije.
- Pri morebitnih vprašanjih ali težavah s hladilnikom se posvetujte s pooblaščen servisno službo. Brez sporočila pooblaščen servisni službi ne posegajte v hladilnik sami ali s tujo pomočjo.
- Za naprave z zamrzovalnim delom; Sladoleda in ledenih kock ne jejte takoj, ko jih vzamete iz zamrzovalnega dela! (Povzročijo lahko ozeblino v ustih.)

- Za naprave z zamrzovalnim delom; V zamrzovalnem delu ne shranjujte tekočin v steklenicah ali pločevinkah. V nasprotnem primeru lahko počijo.
- Zamrznjenih živil se ne dotikajte z rokami, saj lahko primrznejo.
- Pred čiščenjem ali odtajanjem hladilnik izključite iz električnega omrežja.
- Hladilnika nikoli ne čistite in odtajajte s paro ali parnimi čistilnimi sredstvi. Para lahko pride v stik z električnimi deli in povzroči kratki stik ali električni udar.
- Delov hladilnika kot so vrata nikoli ne uporabljajte kot opornike ali stopnico.
- V hladilniku ne uporabljajte električnih naprav.
- Delov, kjer hladilno sredstvo kroži, ne poškodujte z napravami za vrtanje ali rezanje. Če se plinski kanali izparilnika, podaljški cevi ali površinske prevleke prebodejo, lahko hladilno sredstvo prodre in povzroči draženje kože ali poškodbe oči.
- Ne pokrivajte ali blokirajte zračnih odprtin na hladilniku z nobenim materialom.
- Električne naprave lahko popravljajo samo pooblaščene osebe. Popravila, ki jih izvajajo nepooblaščene osebe, povzročijo nevarnost za uporabnika.
- V primeru kakršnekoli napake ali pred vzdrževalnimi deli in popravili obvezno izključite električno napajanje hladilnika tako, da izključite zadevno varovalko ali iztaknete vtič naprave.

- Ko izklopite vtič, ne vlecite za kabel.
- Koncentrirane alkoholne pijače hranite dobro zaprte in v pokončnem položaju.
- V hladilniku nikoli ne shranjujte razpršilcev, ki vsebujejo vnetljive in eksplozivne substance.
- Za pospeševanje postopka odtajanja ne uporabljajte mehanskih naprav ali drugih pripomočkov, razen tistih, ki jih priporoča proizvajalec.
- Naprave naj ne uporabljajo osebe s fizičnimi, senzornimi ali duševnimi motnjami ali osebe, ki nimajo potrebnega znanja oziroma izkušenj (vključno z otroki), razen če jih nadzira oseba, ki je odgovorna za njihovo varnost ali oseba, ki jim bo ustrezno svetovala glede uporabe naprave.
- Ne uporabljajte poškodovanega hladilnika. Če imate kakršne koli pomisleke, se obrnite na servisno službo.
- Električna varnost hladilnika je zagotovljena, le če ozemljitveni sistem v hiši ustreza standardom.
- Izpostavljanje proizvoda dežju, snegu, soncu ali vetru predstavlja električno nevarnost.
- Če je napetostni kabel poškodovan, se obrnite na pooblaščen servisno službo, da se izognete nevarnostim.
- Hladilnika med montažo nikoli ne vključite v vtičnico. V nasprotnem primeru obstaja nevarnost smrti ali resne poškodbe.
- Hladilnik je namenjen samo shranjevanju živil. Ne uporabljajte ga v druge namene.
- Etiketa s tehničnimi specifikacijami se nahaja na levi steni znotraj hladilnika.
- Hladilnika ne priključujte na sisteme varčevanja električne energije, saj ga lahko poškodujejo.
- Če je na hladilniku modra lučka, ne glejte vanjo skozi optične naprave.
- Pri hladilnikih z ročnim upravljanjem, počakajte vsaj 5 minut, preden ga po električnem izpadu ponovno priključite.
- Če napravo dobi nov lastnik, mu izročite tudi navodila za uporabo.
- Med prenašanjem hladilnika ne poškodujte napetostnega kabla. Upogibanje kabla lahko povzroči požar. Na napetostni kabel nikoli ne postavljajte težkih predmetov. Ko napravo priklapljate, se ne dotikajte vtiča z mokrimi rokami.



- Hladilnika ne priključujte v razrahljano vtičnico.
- Iz varnostnih razlogov na notranjih ali zunanjih delih naprave ne škropite vode.
- V bližini hladilnika ne pršite vnetljivih plinov, kot je propan, saj obstaja nevarnost požara ali eksplozije.
- Na hladilnik nikoli ne postavljajte posod z vodo, saj to lahko povzroči električni udar ali požar.

- Hladilnika ne preobremenjujte s prekomernimi količinami živil. Če je naprava prenapolnjena, lahko živila med odpiranjem vrat hladilnika padejo dol in vas poškodujejo ali povzročijo škodo na hladilniku. Na hladilnik nikoli ne postavljajte predmetov, saj lahko med odpiranjem ali zapiranjem vrat hladilnika padejo dol.
- Cepiv, zdravil, občutljivih na toploto, znanstvenih materialov itd. ne shranjujte v hladilnik, saj zahtevajo določeno temperaturo.
- Če hladilnika ne boste uporabljali dlje časa, ga izklopite. Težave v napetostnem kablu namreč lahko povzročijo požar.
- Konico vtiča je treba redno čistiti, saj lahko v nasprotnem primeru povzroči požar.
- Konico vtiča je treba redno čistiti s suho krpo, saj lahko v nasprotnem primeru povzroči požar.
- Če nastavljive noge niso dobro nameščene na tleh, se hladilnik lahko premika. Če nastavljive noge dobro namestite na tla, lahko preprečite premikanje hladilnika.
- Med prenašanjem hladilnika ne držite za ročaje na vratih, saj jih lahko odtrgate.
- Če napravo namestite zraven drugega hladilnika ali zamrzovalnika, naj bo razdalja med napravami vsaj 8 cm. V nasprotnem primeru se lahko na sosednjih stenah naprav pojavi vlaga.

Za naprave z dispencerjem za vodo;

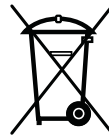
Pritisk vodovodnega omrežja naj bo vsaj 1 bar. Pritisk vodovodnega omrežja naj bo največ 8 barov.

- Uporabljajte samo pitno vodo.

Varnost otrok

- Če imajo vrata ključavnico, jo hranite izven dosega otrok.
- Otroke je treba nadzirati, da se ne igrajo z napravo.

Skladnost z direktivo OEE0 in odstranjevanjem odpadnih izdelkov:



Izdelek je v skladu z direktivo EU OEE0 (2012/19/EU). Izdelek vsebuje simbol za razvrstitev odpadne električne in elektronske opreme (OEE0).

Izdelek je bil izdelan z visokokakovostnimi sestavnimi deli in materiali, ki jih je mogoče ponovno uporabiti in so primerni za recikliranje. Odsluženega odpadnega izdelka ne odlagajte z običajnimi gospodinjskimi in drugimi odpadki. Odnosite ga na center za zbiranje in recikliranje električne in elektronske opreme. Za informacije o teh centrih za zbiranje se obrnite na lokalne oblasti.

Skladnost z direktivo RoHS:

Izdelek, ki ste ga kupili, je v skladu z direktivo EU RoHS (2011/65/EU). Ne vsebuje škodljivih in prepovedanih materialov, ki so navedeni v direktivi.

Informacije o embalaži

Embalažni material izdelka je izdelan iz materiala, ki ga je mogoče reciklirati, v skladu z našimi nacionalnimi okoljskimi predpisi. Embalažnega materiala ne odlagajte skupaj z gospodinjskimi ali drugimi odpadki. Odnosite ga na zbirna mesta za embalažni material, ki so jih določile lokalne oblasti.

Opozorilo HCA

Če hladilni sistem naprave vsebuje R600a:

Ta plin je vnetljiv. Zato pazite, da med uporabo in transportom ne poškodujete hladilnega sistema in cevi. V primeru poškodbe, naj proizvod ne bo v bližini potencialnih virov ognja, ob katerih se lahko vname in prezračite prostor, v katerem je naprava.

To opozorilo ne velja, če hladilni sistem vaše naprave vsebuje R134a.

Vrsta plina, ki ga vsebuje naprava, je navedena na tipski plošči na levi steni znotraj hladilnika.

Naprave nikoli ne sežgite, da bi se je znebili.

Varčevanje z energijo

- Vrat hladilnika ne puščajte odprtih dalj časa.
- V hladilniku ne shranjujte toplih živil ali pijač.
- Hladilnika ne napolnite preobilno, saj s tem preprečite kroženje zraka.
- Hladilnika ne postavljajte na neposredno sočno svetlobo ali v bližino naprav, ki oddajajo toploto, kot so pečice, pomivalni stroji ali radiatorji.

- Živila shranjujte v zaprtih posodah.
- Za naprave z zamrzovalnim delom; v napravo lahko shranite največjo količino živil, če odstranite polico ali predal zamrzovalnika. Vrednost porabe energije se je določila, ko se je odstranila polica ali predal zamrzovalnika in je bila naprava napolnjena z največjo količino živil. Uporaba police ali predala glede na oblike in velikost živil, ki jih želite shraniti, ne predstavlja nevarnosti.
- Odtajanje zamrznjenih živil v hladilnem delu, bo privarčevalo energijo in ohranilo kakovost živil.

3 Namestitev

⚠ Proizvajalec ne bo odgovarjal, če ne boste upoštevali informacij v navodilih za uporabo.

Napotki, ki jih je treba upoštevati ob ponovnem prevozu hladilnika

1. Hladilnik morate izprazniti in očistiti pred vsakim prevozom.
2. Police, pripomočke, predale za sveža živila itd. v hladilniku pred ponovnim pakiranjem varno pritrdite z lepilnim trakom, da jih zaščitite pred sunki.
3. Embalažo pričvrstite z debelimi trakovi in močnimi vrvmi ter sledite navodilom za prevoz natisnjenih na embalaži.

Prosimo, ne pozabite ...

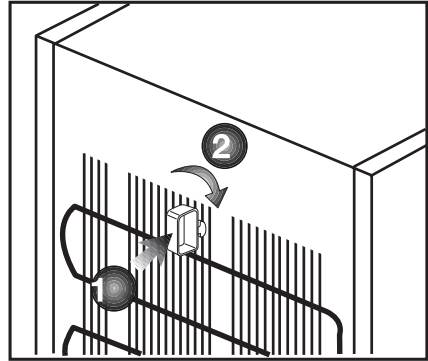
Vsak recikliran material je nujen vir za naravo in nacionalne vire.

Če želite sodelovati pri recikliranju embalažnega materiala, se za nadaljnje informacije obrnite na okoljske organe ali lokalne oblasti.

Pred uporabo hladilnika

Preden pričnete uporabljati hladilnik, preverite naslednje;

1. Ali je notranjost hladilnika suha in lahko zrak v zadnjem delu prosto kroži?
2. Prosimo, namestite 2 plastična klina, kot kaže slika. Plastična klina zagotovita potrebno razdaljo med hladilnikom in steno za neovirano kroženje zraka. (Slika je samo primer in se ne sklada popolnoma z vašo napravo.)



3. Notranjost hladilnika očistite kot je priporočeno v poglavju »Vzdrževanje in čiščenje«.
4. Hladilnik priključite v vtičnico električnega omrežja. Ko se vrata hladilnika odprejo, zasveti notranja luč hladilnega dela.
5. Ko se vklopi kompresor, boste zaslišali hrup. Tekočina in plini v hladilnem sistemu običajno lahko povzročijo hrup, tudi kadar kompresor ne deluje.
6. Sprednji robovi hladilnika so lahko topli na dotik. To je običajno. Te površine so oblikovane, tako da so tople, kar preprečuje kondenzacijo.

Električna povezava

Napravo priključite v ozemljeno vtičnico, ki je zaščitena z varovalko ustrezne zmogljivosti.

Pomembno;

- Priključitev mora ustrezati nacionalnim predpisom.
- Vtič napajalnega kabla naj bo po namestitvi lahko dostopen.

- Določena napetost mora ustrezati omrežni napetosti.
- Za priključitev ne uporabljajte podaljševalnih kablov ali večpotnih vtičev.

⚠ Poškodovan napajalni kabel lahko zamenja le usposobljen električar.

⚠ Naprave ne uporabljajte preden ni popravljena! Obstaja nevarnost električnega udara!

Odstranjevanje embalaže

Embalažni material je lahko nevaren za otroke. Embalažni material hranite izven dosega otrok ali ga odstranite v skladu z navodili za odstranjevanje odpadkov. Ne odstranite ga z običajnimi gospodinjskimi odpadki.

Embalaža hladilnika je izdelana iz materiala primerne za recikliranje.

Odstranjevanje starega hladilnika

Star hladilnik odstranite okolju prijazno.

- Glede odstranjevanja hladilnika se posvetujte s pooblaščenim prodajalcem ali centrom za zbiranje odpadkov v vaši občini.

Preden odstranite hladilnik, izklopite električni vtič in onemogočite morebitne ključavnice na vratih, da zaščitite otroke pred nevarnostmi.

Namestitev in montaža

⚠ Če vhodna vrata sobe, kjer boste namestili hladilnik niso dovolj široka, da bi hladilnik lahko spravili skozi, pokličite pooblaščen servisno službo, da bodo odstranili vrata hladilnika in ga bočno spravite skozi vrata.

1. Namestite hladilnik na mesto, ki bo omogočalo preprosto uporabo.
2. Hladilnik naj ne bo v bližini toplotnih virov, vlažnih prostorov ali neposredne sončne svetlobe.
3. Za učinkovito delovanje mora biti prostor okrog hladilnika ustrezno prezračen. Če bo hladilnik nameščen v vdolbino v steni, mora biti najmanj 5 cm razmika od stropa in najmanj 5 cm razmika od stene. Če so tla pokrita s preprogo, mora biti proizvod 2,5 cm nad tlemi.
4. Da bi preprečili tresenje, namestite hladilnik na ravno talno površino.

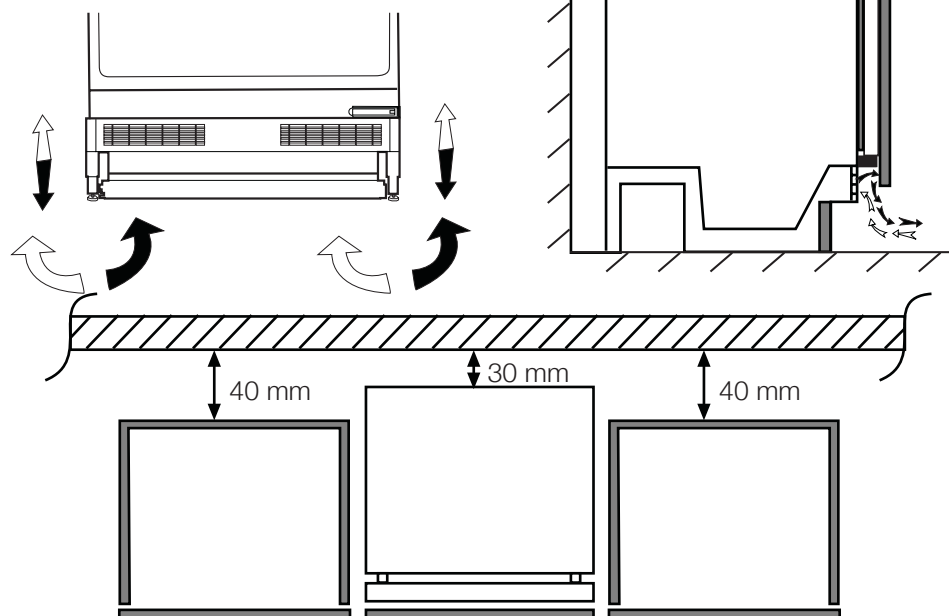
Namestitev hladilnika pod pult in nastavitev nog

Pri namestitvi hladilnika upoštevajte, da je med izdelkom in steno potrebno vsaj 30 mm razdalje, kot prikazuje slika.

Zračni kanali ne smejo biti blokirani, saj se v nasprotnem primeru učinkovitost hladilnika zmanjša. (140 cm²)

Če vaš hladilnik ni stabilen;

Sprednje noge hladilnika lahko zavrtite, kot kaže slika, in ga izravnate. Kot, kjer je noga, je spušččen, če obrnete v smeri črne puščice in dvignjen, če obrnete v nasprotno smer. Postopek bo olajšan, če vam bo nekdo pomagal in nekoliko dvignil hladilnik.



Zamenjava žarnice

Zamenjavo žarnice, ki se uporablja za osvetlitev hladilnika, naročite na pooblaščenem servisu.

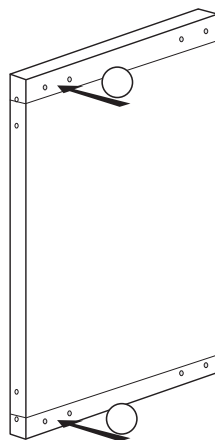
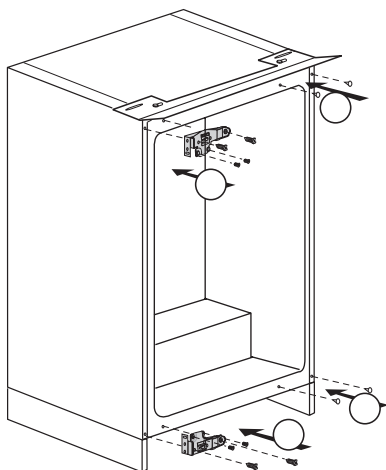
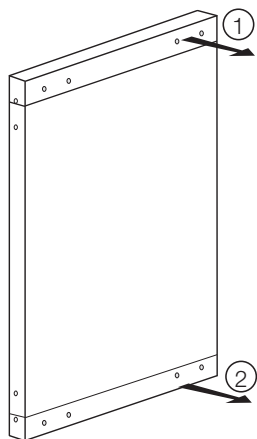
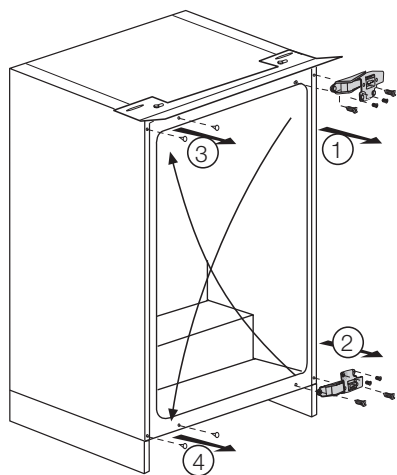
Lučka, uporabljena v tej napravi, ni primerna za razsvetljavo prostorov v gospodinjstvu. Namembnost te lučke je pomagati uporabniku, da lahko daje živila v hladilnik / zamrzovalnik na varen in udoben način. Luči, uporabljene v tej napravi, morajo prenesti ekstremne fizične pogoje, kot so temperature pod -20°C .

Ta izdelek je opremljen z svetlobnim virom energijskega razreda "G".

Svetlobni vir v tem izdelku lahko zamenjajo samo poklicni serviserji.

Obrniti vrata

Sledite zaporedju

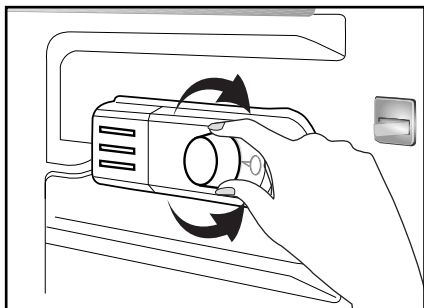


4 Priprava

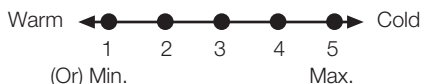
- i** Hladilnik morate namestiti vsaj 30 cm od virov toplote kot so kuhalne plošče, pečice, glavni grelci ali štedilniki in vsaj 5 cm od električnih pečic, prav tako ga ne postavljajte na neposredno sončno svetlobo.
- i** Temperatura prostora kjer boste namestili hladilnik naj bo vsaj 10 °C. Delovanje hladilnika v hladnejših pogojih ni priporočljivo, saj vpliva na njegovo učinkovitost.
- i** Prepričajte se, da je notranjost hladilnika popolnoma čista.
- i** Če bosta dva hladilnika nameščena drug ob drugem, naj bo vmes vsaj 2 cm razmika.
- i** Pri prvi uporabi hladilnika upoštevajte naslednja navodila med prvimi šestimi urami delovanja.
 - Izognite se pogostemu odpiranju vrat.
 - Delovati mora prazen, brez živil.
 - Hladilnika ne izklopite. Če se pojavi nenadzorovan izpad elektrike, upoštevajte opozorila v poglavju »Priporočljive rešitve za težave«.
- i** Originalno embalažo in penasti material shranite za prihodnji prevoz ali premikanje.

5 Uporaba hladilnika

Nastavljanje delovne temperature



Delovno temperaturo uravnate z nadzorom za temperaturo.



1 = Najnižja nastavev hlajenja

(Najtoplejša nastavev)

5 = Najvišja nastavev hlajenja

(Najhladnejša nastavev)

(ali)

Min. = Najnižja nastavev hlajenja

(Najtoplejša nastavev)

Maks. = Najvišja nastavev

hlajenja

(Najhladnejša nastavev)

Povprečna temperatura znotraj hladilnika naj bi bila okoli +5 °C.

Prosimo izberite nastavev, glede na želeno temperaturo.

Upoštevajte, da bodo v hladilnih območjih različne temperature.

Najhladnejše območje je takoj nad predelom za zelenjavo.

Notranja temperatura je odvisna tudi od temperature prostora, pogostosti odpiranja vrat in količine shranjenih živil.

Pogosto odpiranje vrat povzroči naraščanje notranje temperature.

Zaradi tega je priporočljivo, da vrata takoj po uporabi zaprete.

Nadzor In Nastavev Temperature

Delovno temperaturo uravnajte s pomočjo termostata (glejte diagram). Nastavitve lahko prilagodite od 1 do 5, ki je najhladnejša nastavev. Ko napravo prvič vklopite, nastavite termostat tako, da povprečna temperatura hladilnika po 24 urah ne bo višja od +5 °C (+41°F).

Priporočamo, da nastavite termostat na sredino med nastavitvi 1 in 5 in spremljate, da naprava ohranja želeno temperaturo tj. proti 5 nastavite hladnejše temperature hladilnika in obratno. Nekateri predeli hladilnika so hladnejši ali toplejši (kot na primer predal za svežo solato in zgornji del omarice), kar je povsem običajno.

Če je temperatura prostora nad 25 °C (77 °F), posebej poleti, zavrtite gumb termostata proti 5. Če je temperatura prostora pod 25 °C (77 °F), zavrtite gumb termostata na sredinski položaj.

Pogosto odpiranje vrat poviša temperaturo v hladilniku, zato vrata zaprite nemudoma po vsaki uporabi.

Če se v predelu hladilnika pojavijo

5

-

4

-

3

-

2

-

1

-

0

časne ledene obloge, zmanjšajte nastavitev termostata na 1 in spremljajte, da temperatura hladilnika ne presega 5 stopinj C (41 stopinj F). Ko ledene obloge izginejo in naprava ponovno zažene samodejno odtajanje kot običajno, lahko po potrebi povečate nastavitve termostata.

Odtajanje

Hladilnik brez nizkotemperaturnega prostora se samodejno odtaja. Odtaljena voda odteče preko zbiralnega kanala v odtočno cev in izhlapi v posebnem zbiralniku (1), ki se nahaja na zadnji strani naprave (glejte diagram).

Med odtajanje se lahko naberejo kapljice vode na zadnji strani hladilnika brez nizkotemperaturnega prostora, kje se nahaja izparilnik. Nekaj kapljic lahko ostane na vstavku in ponovno zamrzne, ko se odtajanje zaključi. Za odstranjevanje zamrznjenih kapljic ne uporabljajte ostrih predmetov, kot so nož ali vilice.

Če odtaljena voda ne steče iz zbiralnega kanala, preverite, da niso deli hrane zamašili odtočno cev. Odtočno cev izpraznite, če priložen posebni plastični bat potisnete navzdol po odtočni cevi (2).

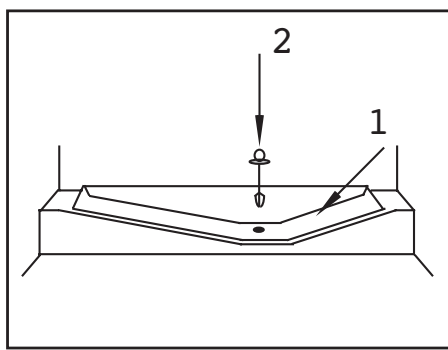
Zaustavitev naprave

Če ima termostat na voljo položaj "0";

- Naprava bo prenehala z delovanjem, ko boste obrnili gumb termostata na položaj "0" (nič). Naprava bo ponovno začela delovati, šele ko boste gumb termostata ponovno nastavili na položaj "1" ali kateri drug položaj.

Če ima termostat na voljo položaj "min";

- Napravo zaustavite, tako da jo izključite.



6 Vzdrževanje in čiščenje

- ⚠ Pri čiščenju nikoli ne uporabljajte bencina, benzena ali podobnih snovi.
- ⚠ Priporočamo, da napravo pred čiščenjem izključite iz električnega omrežja.
- ℹ Za čiščenje ne uporabljajte ostrih abrazivnih predmetov, mila, gospodinjskih čistil, čistilnih sredstev in loščila.
- ℹ Omarico hladilnika očistite z mlačno vodo in jo do suhega obrišite.
- ℹ Za čiščenje notranjosti uporabite izžeto krpo, ki ste jo namočili v raztopino ene čajne žličke sode bikarbonata in 500 ml vode ter nato do suhega obrišite.
- ⚠ Preprečite, da bi ohišje luči in ostali električni predmeti prišli v stik z vodo.
- ⚠ Če hladilnika dalj časa ne boste uporabljali, izključite električni kabel, odstranite vsa živila, ga očistite in pustite vrata priprta.
- ℹ Preverite, da so tesnila na vratih čista in ne vsebujejo delcev živil.
- ℹ Če želite odstraniti vratne police, jih izpraznite in jih enostavno potisnite navzgor od podlage.
- ℹ Za čiščenje zunanjih površin in kromiranih delov izdelka ne uporabljajte čistilnih sredstev ali klorirane vode. Klor povzroči korozijo na kovinskih površinah.

Zaščita plastičnih površin

- ℹ Tekočega olja ali na olju kuhanih jedi ne shranjujte v hladilniku v odprtih posodah, saj lahko poškodujejo plastične površine hladilnika. Če na plastičnih površinah razlijete olje ali jih umažete z oljem, jih očistite in splaknite s toplo vodo.

7 Priporočljive rešitve za težave

Prosimo, preglejte ta seznam preden pokličete servisno službo. Lahko Vam prihrani čas in denar. Na seznamu so pogoste pritožbe, ki niso posledica pomanjkljive izdelave ali materiala. Nekatere izmed opisanih značilnosti, morda ne veljajo za vašo napravo.

Hladilnik ne deluje
<ul style="list-style-type: none">• Ali je hladilnik pravilno priključen? Priključite vtič v vtičnico na steni.• Ali je glavna varovalka ali pa varovalka vtičnice v katero je priključen hladilnik pregorela? Preverite varovalko.
Kondenzacija na stranski steni hladilnega dela. (MULTI ZONE, COOL CONTROL in FLEXI ZONE)
<ul style="list-style-type: none">• Zelo hladne prostorske razmere. Pogosto odpiranje in zapiranje vrat. Visoka vlažnost v prostoru. Shranjevanje živil, ki vsebujejo tekočino, v odprtih posodah. Vrata so bila priprta.• Termostat preklopite na hladnejšo stopnjo.• Vrata naj bodo odprta manj časa ali pa jih ne uporabljajte tako pogosto.• Živila, ki so shranjena v odprtih posodah, pokrijte z ustrezno ovojnino.• Kondenzacijo obrišite s suho krpo in preverite, če se ponovi.
Kompresor ne deluje
<ul style="list-style-type: none">• Termična zaščita kompresorja bo med nenadnimi izpadi električnega toka ali pri izključevanju-vključevanju pregorela, saj pritisk hladilnega sredstva v hladilnem sistemu še ni uravnotežen.• Po približno 6 minutah se bo hladilnik zagnal. Če se hladilnik po tem času ne zažene, pokličite servisno službo.• Hladilnik se odtaja. Za hladilnik s popolnoma samodejnim odtajanjem je to običajno. Odtajanje poteka v rednih presledkih.• Hladilnik ni vključen v vtičnico. Prepričajte se, da je vtič dobro priključen v vtičnico.• Ali so temperature pravilno nastavljene? Izpad električnega toka. Pokličite vašega dobavitelja električne energije.

Delovanje hladilnika je pogosto ali traja dalj časa.
<ul style="list-style-type: none"> • Nov hladilnik je širši od prejšnjega. To je običajno. Veliki hladilniki delujejo dalj časa. • Temperatura prostora je lahko visoka. To je normalno. • Hladilnik je bil pred kratkim priključen ali pa je bil prenapolnjen z živili. Popolno ohlajanje hladilnika lahko traja nekaj ur dlje. • V hladilnik so bile nedavno postavljene večje količine toplih živil. Topla živila povzročijo daljše delovanje hladilnika, da dosežejo varno temperaturo za shranjevanje. • Vrata so se pogosto odpirala ali bila dalj časa priprta. Topel zrak, ki je prišel v hladilnik, povzroča daljše delovanje hladilnika. Vrata odpirajte manj pogosto. • Vrata zamrzovalnega ali hladilnega dela so bila priprta. Preverite, če so vrata dobro zaprta. • Hladilnik je nastavljen na zelo nizko temperaturo. Temperaturo hladilnika nastavite na toplejšo stopnjo in počakajte, da jo doseže. • Tesnilo na vratih hladilnika ali zamrzovalnika je umazano, izrabljeno, zlomljeno ali nepravilno nameščeno. Tesnilo očistite ali zamenjajte. Poškodovano/ zlomljeno tesnilo povzroča, da hladilnik deluje dalj časa za vzdrževanje trenutne temperature.
Temperatura zamrzovalnika je zelo nizka, medtem ko je temperatura hladilnika ustrežna.
<ul style="list-style-type: none"> • Temperatura zamrzovalnika je nastavljen na zelo nizko stopnjo. Temperaturo zamrzovalnika nastavite na toplejšo stopnjo in preverite.
Temperatura hladilnika je zelo nizka, medtem ko je temperatura zamrzovalnika ustrežna.
<ul style="list-style-type: none"> • Temperatura hladilnika je nastavljen na zelo nizko stopnjo. Temperaturo hladilnika nastavite na toplejšo stopnjo in preverite.
Živila shranjena v predalih hladilnega dela zamrzujejo.
<ul style="list-style-type: none"> • Temperatura hladilnika je nastavljen na zelo nizko stopnjo. Temperaturo hladilnika nastavite na toplejšo stopnjo in preverite.
Temperature v hladilniku ali zamrzovalniku so zelo visoke.
<ul style="list-style-type: none"> • Temperatura hladilnika je nastavljen na zelo visoko stopnjo. Nastavitev hladilnika vpliva na temperaturo zamrzovalnika. Spremenite temperaturo hladilnika ali zamrzovalnika, da dosežete ustrezno temperaturo. • Vrata so priprta. Dobro zaprite vrata. • V hladilnik so bile nedavno postavljene večje količine toplih živil. Počakajte, da hladilnik ali zamrzovalnik doseže zeleno temperaturo. • Hladilnik je bil pred kratkim priključen. Zaradi velikosti hladilnik potrebuje čas, da se popolnoma ohladi.

Hladilnik oddaja zvok, ki je podoben zvoku analogne ure.
<ul style="list-style-type: none"> • Ta zvok oddaja elektromagnetni ventil hladilnika. Elektromagnetni ventil zagotavlja prehajanje hladilnega sredstva, ki ga lahko nastavimo na hladilne ali zamrzovalne temperature oz. hladilne funkcije. To je normalno in ni okvara.
Med delovanjem hladilnika se hrup poveča.
<ul style="list-style-type: none"> • Značilnosti učinkovitosti delovanja hladilnika se lahko spremenijo glede na spremembe temperature prostora. To je običajno in ni napaka.
Tresljaji ali hrup
<ul style="list-style-type: none"> • Neravna ali slabotna tla. Hladilnik se med počasnim premikanjem tresse. Prepričajte se, da so tla ravna, močna in primerna podpora za hladilnik. • Hrup lahko povzročajo predmeti, ki so postavljeni na hladilniku. Takšne predmete odstranite z vrha hladilnika.
Hrup podoben prelivanju tekočine ali pršenju.
<ul style="list-style-type: none"> • Način delovanja hladilnika povzroča pretok tekočine in plinov. To je običajno in ni napaka.
Hrup podoben pihanju vetra.
<ul style="list-style-type: none"> • Zračni aktivatorji (ventilatorji) pripomorejo k učinkovitemu hlajenju hladilnika. To je običajno in ni napaka.
Kondenzacija na notranjih stenah hladilnika.
<ul style="list-style-type: none"> • Vroče in vlažno vreme poveča zaledenitev in kondenzacijo. To je običajno in ni napaka. • Vrata so priprta. Prepričajte se, da so vrata popolnoma zaprta. • Vrata so se pogosto odpirala ali bila dalj časa priprta. Vrata odpirajte manj pogosto.
Na zunanji strani hladilnika ali med vrati se pojavi vlaga.
<ul style="list-style-type: none"> • Vlažno vreme. Pri vlažnem vremenu je to običajno. Ko se vlaga zniža, bo kondenzacija izginila.
Neprijeten vonj v hladilniku.
<ul style="list-style-type: none"> • Notranjost hladilnika naj bo čista. Notranjost hladilnika očistite z gobo, toplo ali gazirano vodo. • Vonj povzročajo nekatere posode ali materiali pakiranja. Uporabite druge posode ali drugačno vrsto materialov pakiranja.
Vrata se ne zapirajo.
<ul style="list-style-type: none"> • Ovojnine živil preprečujejo zapiranje vrat. Prestavite pakiranja, ki ovirajo vrata. • Hladilnik ni popolnoma pokončno postavljen na tla in se zatrese ob rahlem premiku. Prilagodite vijake za nastavitvev. • Neravna ali šibka tla. Prepričajte se, da so tla ravna in primerna podpora za hladilnik.
Predali so obtičali.
<ul style="list-style-type: none"> • Živila se dotikajo stropa predala. Ponovno razporedite živila v predalu.

Läs den här bruksanvisningen först!

Kära kund!

Vi hoppas att produkten, som har producerats på en modern anläggning och genomgått de allra nogrannaste kvalitetsprocesser, kommer att erbjuda effektiv service.

Vi rekommenderar därför att du läser igenom hela bruksanvisningen noggrant innan du använder den och att du förvarar den nära till hands för framtida referens.

Den här bruksanvisningen

- Hjälper dig använda enheten på ett snabbt och säkert sätt.
- Läs bruksanvisningen innan du installerar och använder produkten.
- Följ instruktionerna, speciellt säkerhetsanvisningarna.
- Förvara bruksanvisningen på en lättåtkomlig plats där du kan hämta den senare.
- Läs även övriga dokument som tillhandahålls tillsammans med produkten.
- Observera att den här bruksanvisningen även kan gälla för andra modeller.





Symboler och beskrivningar för dem

Den här bruksanvisningen innehåller följande symboler:

 Viktig information eller användbara tips.

 Varning för risker för liv och egendom.

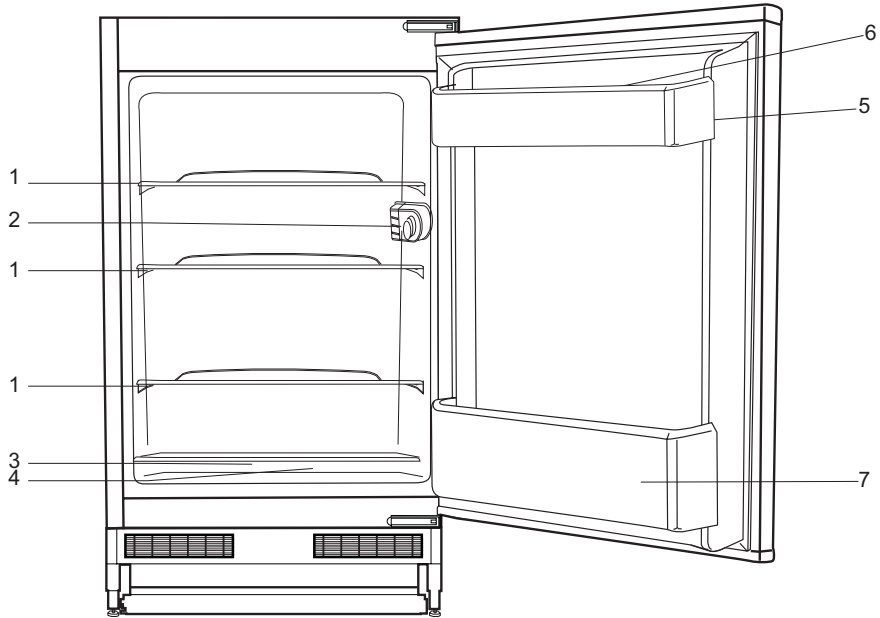
 Varning för elektrisk spänning.

INFORMATION	
	
SUPPLIER'S NAME	MODEL IDENTIFIER (*)
 A	 A
Modellinformationen, som är lagrad i produkt databasen, kan nås från webbsidan och genom att söka för modellidentifikationen (*), som finns i energimärkningen.	
https://eprel.ec.europa.eu/	

INNEHÅLL

1 Kylskåpet	3	4 Förberedelse	13
2 Viktiga säkerhetsvarningar	4	5 Använda kylskåpet	14
Avsedd användning	4	Ställ in driftstemperaturen	14
För produkter med vattenbehållare; ...	6	Driftstemperaturen regleras med temperaturreglaget.	14
Barnsäkerhet	6	Temperaturkontroll Och -Justering...	14
I enlighet med WEEE-direktivet för hantering av avfallsprodukter:	6	Avfrostning	15
I enlighet med RoHS-direktivet:	6	Stoppa produkten	15
Paketinformation	6	6 Underhåll och rengöring	16
HCA-Varning	7	7 Rekommenderade lösningar på problem	17
Saker att göra för att spara energi	7		
3 Installation	8		
Saker att tänka på vid transport av kylskåpet	8		
Innan du använder kylskåpet	8		
Elektrisk anslutning	9		
Kassering av förpackningen.....	9		
Kassering av ditt gamla kylskåp.....	9		
Placering och installation	9		
Placera kylskåpet under bänken och justera benen.....	10		
Byta lampan	11		
Byte av dörrar.....	12		

1 Kylskåpet



1. Hyllplan
2. Termostatbox för glödlampa
3. Kött, korv, kallskuret, burkar.
4. Frukt, grönsaker, sallad.
5. Tuber, små flaskor och burkar.
6. Äggfack
7. Drycker, stora flaskor.

i Bilderna i den här bruksanvisningen är bara exempel och kanske inte är en exakt avbild av produkten. Om produkten du köpt inte har vissa delar hör de till i så fall till andra modeller.

2 Viktiga säkerhetsvarningar

Läs följande information. Om du underlåter att följa den här informationen kan det orsaka person- och materialskador. Annars blir alla garanti- och tillförlitlighetsåtaganden ogiltiga.

Användningstidsåtgången för enheten är 10 år. Det här är den period som reservdelarna krävs för att enheten ska hålla.

Avsedd användning

Den här produkten är avsedd för följande användning

- inomhus och i stängda rum, exempelvis i hemmet;
- i stängda miljöer, såsom butiker och kontor;
- i stängda inkvarteringsområden, såsom bondgårdar, hotell, pensionat.
- Denna produkt ska inte användas utomhus.

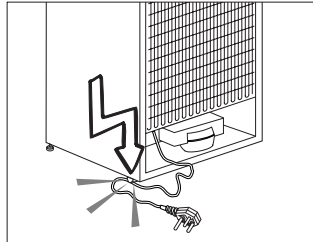
Allmän säkerhet

- När du vill avyttra produkten rekommenderar vi att du rådgör med auktoriserad kundtjänst för att få den information som krävs, samt auktoriserade organ.
- Rådfråga auktoriserad service när det gäller alla frågor och problem som är relaterade till kylskåpet. Modifiera inte kylskåpet utan att meddela auktoriserad kundtjänst.
- För produkter med frysfack; Ät inte glass och iskuber direkt efter att du har tagit ut dem ur frysfacket! (Det kan leda till köldskador i munnen.)

- För produkter med frysfack; Placera inte flaskprodukter och konserverade drycker i frysfacket. De kan explodera.
- Rör inte vid fryst mat med händerna; de kan fastna.
- Koppla ur kylskåpet före rengöring och avfrostning.
- Lättflyktiga material skall aldrig användas vid avfrostning av kylskåpet. Det kan leda till att ångan kommer i kontakt med elektriska delar och orsaka kortslutning eller elektriska stötar.
- Använd aldrig delar på ditt kylskåp såsom en dörr som stöd eller trappsteg.
- Använd inte elektriska enheter inne i kylskåpet.
- Skada inte delarna med borr eller vassa verktyg, när kylskåpet cirkulerar. Kylmedlet som kan läcka ut om rör eller ytor punkteras kan orsaka hudirritation och ögonskador.
- Täck inte över eller blockera ventilationshålen på kylskåpet med något material.
- Elektriska enheter måste repareras av behöriga fackmän. Reparationer som utförs av personer utan rätt kunskap kan orsaka risk för användaren.
- Vid eventuella fel eller felfunktion under service eller reparationsarbete, skall du koppla ur strömkällan till kylskåpet genom att antingen vrida ur motsvarande säkring eller dra ur sladden.

- Drag inte i kabeln – drag i kontakten.
- Placera drycker i kylskåpet ordentligt stängda och upprätt.
- Förvara aldrig spraymedel som innehåller antändbara och explosiva ämnen i kylskåpet.
- Använd inte mekaniska enheter eller andra sätt för att snabba på avfrostningsprocessen, förutom det som rekommenderas av tillverkaren.
- Den här produkten är inte avsedd att användas av personer med nedsatt fysisk, psykisk eller mental förmåga eller oerfarna personer (inklusive barn) om de inte övervakas av en person som ansvarar för deras säkerhet eller instruerar dem i användningen av produkter
- Använd inte ett skadat kylskåp. Kontakta serviceombudet om du har några frågor.
- Elsäkerheten för kylskåpet garanteras endast om jordningssystemet i huset uppfyller de krav som gäller.
- Det är farligt att utsätta produkten för regn, snö, sol och vind med tanke på elsäkerheten.
- Kontakta auktoriserad service om strömkabeln skadas för att undvika fara.
- Koppla aldrig in kylskåpet i vägguttaget under installationen. Det ökar risken för allvarig skada eller dödsfall.
- Det här kylskåpet är endast avsett för förvaring av livsmedel. Det får inte användas för något annat ändamål.
- Etiketten med tekniska specifikationer sitter på vänster insida i kylskåpet.

- Koppla aldrig in kylskåpet till energibesparande system; de kan skada kylskåpet.
- Om det finns en blå lampa på kylskåpet ska du inte titta in i den blå lampan med optiska verktyg.
- För manuellt kontrollerade kylskåp, vänta i minst 5 minuter för att starta kylskåpet efter strömavbrottet.
- Den här bruksanvisningen ska lämnas till den nya ägaren av produkten när den lämnas till andra.
- Undvik att orsaka skada på strömkabeln vid transport av kylskåpet. Om du böjer kabeln kan det orsaka brand. Placera aldrig tunga föremål på strömkabeln. Rör inte vid kontakten med våta händer när du kopplar in produkten.



- Anslut inte kylskåpet till ett eluttag som sitter löst.
- Vatten får av säkerhetsskäl inte sprayas direkt på de inre eller yttre delarna av produkten.
- Spraya inte ämnen som innehåller antändbara gaser, såsom propangas, nära kylskåpet för att undvika brand och explosionsrisk.
- Placera aldrig behållare som är fyllda med vatten på kylskåpet, eftersom det kan orsaka elektrisk kortslutning eller brand.

- Överbelasta inte kylskåpet med för stora mängder mat. Om det överbelastas kan mat falla ned och skada dig och kylskåpet när du öppnar dörren. Placera aldrig föremål på kylskåpet; annars kan de falla ned när du öppnar eller stänger kylskåpsdörren.
- Produkter som behöver en exakt temperaturkontroll (vaccin, värmekänslig medicin, vetenskapliga material etc.) får inte förvaras i kylan.
- Om kylskåpet inte används under en längre tid ska det kopplas från strömkällan. Ett möjligt problem i strömkabeln kan orsaka brand.
- Kontaktens stift ska rengöras regelbundet; annars kan det leda till brandrisk.
- Kontaktens stift ska rengöras regelbundet med en torr trasa; annars kan det leda till brandrisk.
- Kylskåpet kan flytta på sig om de justerbara benen inte sitter fast ordentligt i golvet. Om du förankrar de justerbara benen ordentligt i golvet kan det förhindra att kylskåpet flyttar på sig.
- När du bär på kylskåpet ska du inte hålla i dörrhandtaget. Annars kan det släppa.
- Om du har placerat produkten intill ett annat kylskåp eller en frys ska avståndet mellan enheterna vara minst 8 cm. Annars kan de angränsande väggarna blir fuktiga.

För produkter med vattenbehållare;

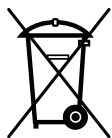
Vattentrycket ska vara minst 1 bar.
Vattentrycket ska vara max 8 bar.

- Använd bara drickbart vatten.

Barnsäkerhet

- Om dörren har ett lås ska nyckeln hållas borta från barn.
- Barn ska övervakas för att hindra att de pillar på produkten.

I enlighet med WEEE-direktivet för hantering av avfallsprodukter:



Den här produkten gäller under EU WEEE-direktivet (2012/19/EU). Den här produkten är försedd med en klassificeringssymbol för avfallshantering av elektriskt och elektroniskt material (WEEE).

Denna produkt är tillverkad med delar av hög kvalitet samt material som kan återanvändas och återvinnas. Produkten får inte slängas i hushållssoptorna eller i annat avfall vid livsslut. Ta den till en återvinningsstation för elektrisk och elektronisk utrustning. Kontakta din kommun för mer information om närmaste återvinningsstation.

I enlighet med RoHS-direktivet:

Produkten du har köpt gäller under EU RoHS-direktivet (2011/65/EU). Den innehåller inga av de farliga eller förbjudna material som anges i direktiven.

Paketinformation

Produktens förpackningsmaterial tillverkas av återvinningsbara material i enlighet med våra nationella miljöregler. Kassera inte förpackningsmaterial tillsammans

med hushållsavfall eller annat avfall. Ta med dem till ett insamlingsställe för förpackningsmaterial som anges av de lokala myndigheterna.

HCA-Varning

Om produktens kylsystem innehåller R600a:

Den här gasen är lättantändlig. Var därför noggrann så att du inte skadar kylsystemet och rören under användning och transport. Om det skulle uppstå någon skada skall produkten hållas borta från potentiella eldkällor som kan göra att produkten fattar eld och du ska ventilerarummet där enheten är placerad.

Du kan bortse från den här varningen om produktens kylsystem innehåller R134a.

Typen av gas som används i produkten anges på märkplåten som sitter på kylskåpets vänstra insida.

Kasta aldrig produkten i eld när den ska kasseras.

Saker att göra för att spara energi

- Låt inte dörrarna till kylskåpet stå öppna under en längre tid.
- Placera inte varm mat eller varma drycker i kylskåpet.
- Överbelasta inte kylskåpet så att luften inuti det påverkas.
- Installera inte kylskåpet i direkt solljus eller nära värmeavsöndrande enheter såsom ugn, diskmaskin eller element.
- Observera att mat ska förvaras i tillslutna behållare.

- För produkter med frysack; Du kan lagra maximal mängd mat i frysen när du tar bort hyllan eller lådan till frysen. Energiförbrukningen som anges på kylskåpet har fastställts genom att ta bort fryshyllan eller lådan och ha maximal belastning. Det finns ingen risk i att använda en hylla eller låda enligt formerna och storlekarna på maten som ska frysas.
- Upptining av fryst mat i kylfacket sparar både energi och håller matens kvalitet.

3 Installation

⚠ Kom ihåg att tillverkaren inte skall hållas ansvarig om användaren underlåter att observera något i den här bruksanvisningen.

Saker att tänka på vid transport av kylskåpet

1. Kylskåpet måste vara tomt och rent före transport.
2. Hyllor, tillbehör, grönsakslåda etc. i kylskåpet måste spännas fast ordentligt med tejp före ompaketering.
3. Förpackningen måste fästas ihop med tjock tejp och starka rep och de transportregler som anges på förpackningen måste följas.
4. Om skåpet legat ned under transport skall det stå upprätt i minst två timmar innan strömmen slås på.

Glöm inte...

Varje återvunnet material är en ovärderlig källa för naturen och för våra nationella resurser.

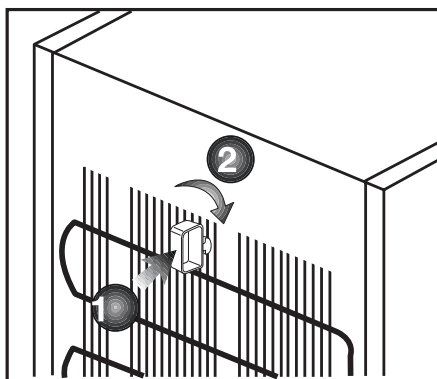
Om du vill bidra till återvinningen av förpackningsmaterial kan du hämta ytterligare information från våra miljöorgan eller lokala myndigheter.

Innan du använder kylskåpet

Kontrollera följande innan du startar kylskåpet:

1. Är kylskåpets insida torr och kan luften cirkulera fritt bakom det?

2. Du kan installera de två plastklämmorna så som visas på bilden. Plastklämmorna ger rätt avstånd mellan kylskåpet och väggen för att tillåta luften att cirkulera. (Bilden som visas är bara ett exempel och överensstämmer inte exakt med din produkt.)



3. Rengör kylskåpets insida enligt rekommendationerna i avsnittet "Underhåll och rengöring".
4. Koppla in kylskåpet i vägguttaget. När kylskåpsdörren öppnas kommer den invändiga belysningen att tändas.
5. Du kommer att höra ett bullrande ljud när kompressorn startar. Vätska och gas inne i produkten kan också ge upphov till ljud, även om kompressorn inte körs och detta är helt normalt.
6. De främre kanterna på kylskåpet kan kännas varma. Detta är normalt. De här områdena är utformade för att bli varma och därmed undvika kondens

Elektrisk anslutning

Anslut produkten till ett jordat uttag som skyddas av en säkring med lämplig kapacitet.

Viktigt:

- Anslutningen måste ske i enlighet med nationell lagstiftning.
- Strömkabelns kontakt måste vara lätt att komma åt efter installationen.
- Den angivna spänningen måste överensstämma med strömkällans spänning.
- Förlängningskablar och grenkontakter får inte användas för anslutningen.

⚠ En skadad strömkabel måste bytas av en behörig elektriker.

⚠ Produkten får inte användas innan den reparerats! Det finns risk för kortslutning!

Kassering av förpackningen

Förpackningsmaterial kan vara farligt för barn. Förvara förpackningsmaterialen utom räckhåll för barn eller kassera dem i enlighet med gällande avfallsregler. Kassera dem inte med hushållsavfallet.

Förpackningsmaterialet för ditt kylskåp produceras av återvinningsbara material.

Kassering av ditt gamla kylskåp

Kassera ditt gamla kylskåp utan att skada miljön.

- Du kan kontakta en auktoriserad återförsäljare eller ett återvinningscenter angående avyttring av ditt kylskåp.

Innan du kasserar kylskåpet, dra ur strömkontakten och, om det finns några lås på dörren, göra dem obrukbara för att förhindra att barn skadar sig.

Placering och installation

⚠ Om entrén till rummet där kylskåpet skall installeras är inte bred nog för att kylskåpet skall kunna passera skall du ringa till auktoriserad fackman så att de avlägsnar dörrarna på kylskåpet och tar in det i sidled genom dörren.

1. Installera kylskåpet på en plats där det är lättåtkomligt.
2. Håll kylskåpet borta från värmekällor, fuktiga platser och direkt solljus.
3. Det måste finnas tillräcklig ventilation runt kylskåpet för att uppnå effektiv användning. Om kylskåpet placeras i en hålighet i väggen måste det vara ett avstånd på minst 5 cm till taket och 5 cm till väggen.
4. Placera kylskåpet på en jämn och plan golyta för att förhindra lutningar.

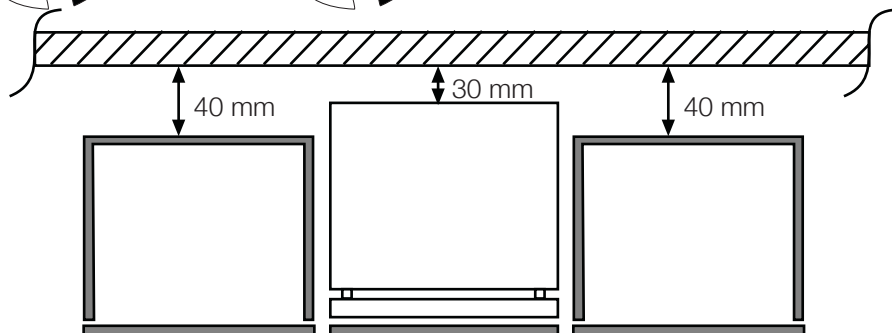
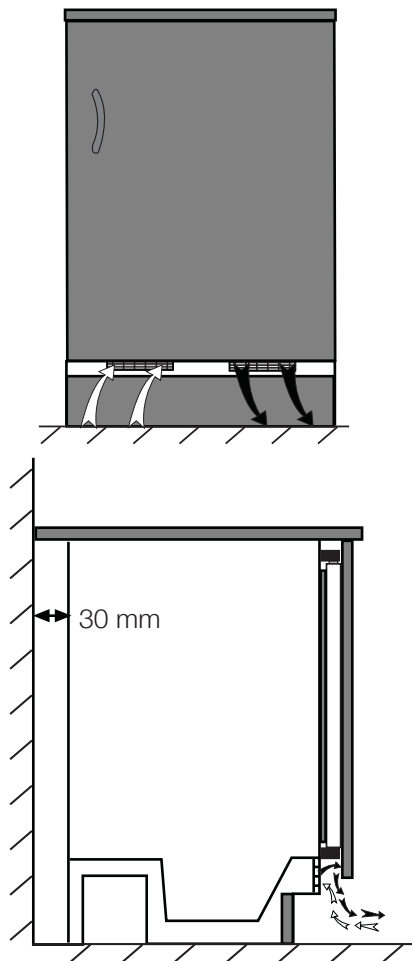
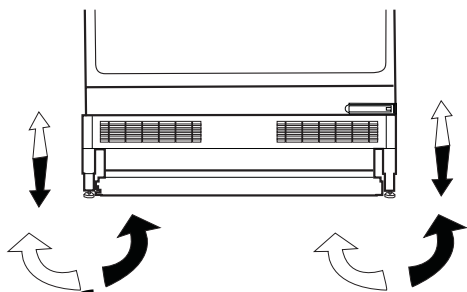
Placera kylskåpet under bänken och justera benen

När du placerar kylskåpet ska avståndet mellan produkten och väggen vara minst 30 mm, så som visas på bilden.

Luftsugkanalerna får inte blockeras, då kan kylskåpets prestanda försämras. (140 cm²)

Om kylskåpet är obalanserat;

Du kan vrida frambenen på kylskåpet, så som visas på bilden, och på så sätt få det stabilare. Benets hörn sänks när benet vrids i den svarta pilens riktning. Det höjs när benet vrids åt andra hållet. Det blir enklare om du får hjälp av någon som kan lyfta enheten under det här arbetet.



Byta lampan

Ring auktoriserad service när du vill byta lampa.

Lamporna som används i utrustningen är inte anpassade som rumsbelysning. Det avsedda ändamålet för lamporna är att hjälpa användaren placera mat i kylskåpet/frysen på ett säkert och bekvämt sätt.

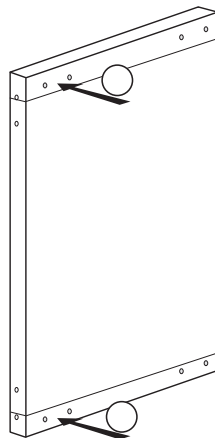
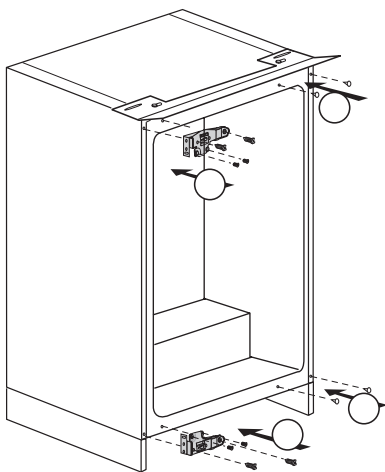
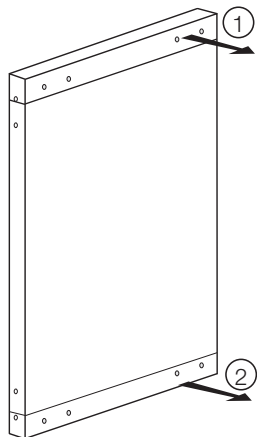
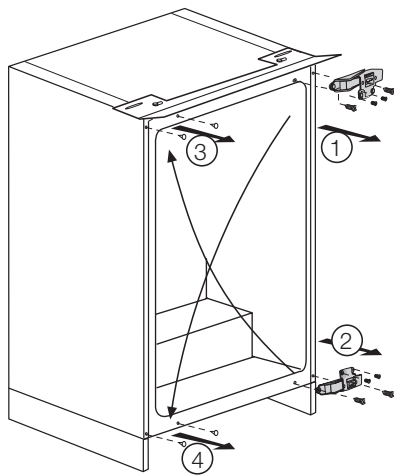
Lamporna i apparaten måste kunna tåla extrema fysiska förhållanden såsom temperaturer under -20 °C.

Denna produkt är utrustad med ljuskälla i "G" energiklass.

Endast en professionell montör får byta produktens ljuskälla.

Byte av dörrar

Gå tillväga i nummerordning

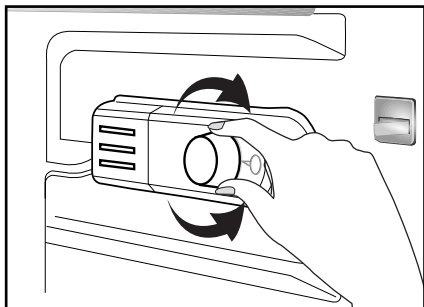


4 Förberedelse

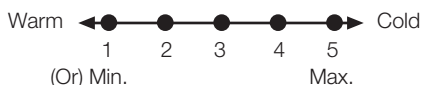
- i** Kylskåpet skall installeras minst 30 cm från värmekällor, såsom spis, ugn och centralvärme och minst 5 cm från elektriska ugnar och får inte placeras i direkt solljus.
- i** Den omgivande temperaturen i rummet där du installerar kylskåpet skall vara minst 10°C. Användning i kallare miljöer rekommenderas inte och kan minska effektiviteten.
- i** Se till att kylskåpet är ordentligt rengjort invändigt.
- i** Om två kylskåp skall installeras intill varandra skall det vara ett avstånd på minst 2 cm mellan dem.
- i** Vid användning av kylskåpet för första gången skall du observera följande anvisningar under de första sex timmarna.
 - Dörren får inte öppnas för ofta.
 - Det måste köras tomt utan mat.
 - Dra inte ur sladden till kylskåpet. Om det inträffar ett strömavbrott som ligger utanför din kontroll, se varningarna i avsnittet "Rekommenderade lösningar på problem".
- i** Originalförpackning och skumplastmaterial skall sparas för framtida transport.

5 Använda kylskåpet

Ställ in driftstemperaturen



Driftstemperaturen regleras med temperaturreglaget.



1 = Lägsta kylinställning (Varmaste inställning)

5 = Högsta kylinställning (Kallaste inställning)

(Eller)

Min. = Lägsta kylinställning

(Varmaste inställning)

Max. = Högsta kallaste inställning

(Kallaste inställning)

Medeltemperaturen inuti kylskåpet bör ligga runt +5°C

Välj inställning enligt önskad temperatur.

Observera att det förekommer olika temperaturer i kylområdet.

Det kallaste området är placerat precis ovanför grönsakshyllan.

Den invändiga temperaturen beror också på den omgivande temperaturen, hur ofta dörren öppnas och hur mycket mat som förvaras i kylskåpet.

Frekvent öppnande av dörren gör att den invändiga temperaturen stiger.

Av denna anledning bör man stänga dörren så fort som möjligt efter användning.

Temperaturkontroll Och -Justering

Driftstemperaturerna styrs av termostaten (se diagram). Inställningarna kan vara mellan 1 och 5, den kallaste positionen. När enheten slås på för första gången ska termostatvredet justeras så att efter 24 timmar ska den genomsnittliga temperaturen inte överstiga +5 °C (+41 °F).

Vi rekommenderar att du ställer in termostaten halvvägs mellan 1 och 5 och att du övervakar så att den önskade temperaturen uppnås, närmare 5 ger kallare temperatur och vice versa. Vissa delar av kylan kan vara kallare eller varmare (som t.ex. grönsakslådan och skåpets övre del), vilket är helt normalt.

På omgivande temperaturer på mer än 25°C (77°F), speciellt under sommaren, ska du vrida termostaten mot 5. Vid omgivande temperaturer under 25°C (77°F) ska du vrida termostaten mot läget halvvägs mitt emellan.

Om du öppnar dörren ofta blir temperaturen i kylskåpet högre. Stäng dörren efter dig så snabbt som möjligt.

5

Vid tillfällig isbildning i frysfacket ska du minska termostatinställningen till 1 och samtidigt övervaka att kylskåpstemperaturen är max +5°C (41°F). Så fort isbildningen släpper och enheten startar autoavfrosta som vanligt kan du öka termostatinställningen om det behövs.

4

-

3

-

2

-

1

-

0

Stoppa produkten

Om termostaten är utrustad med positionen "0":

- Produkten slutar arbeta när du vrider termostaten till position "0" (noll). Din produkt startar inte om du inte vrider termostatvredet till position "1" eller en av de andra positionerna igen.

Om termostaten är utrustad med positionen "min":

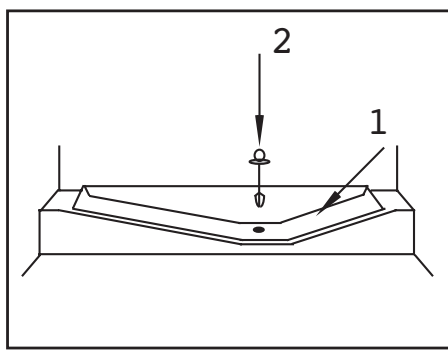
- Koppla ur produkten för att stoppa den.

Avfrostning

Ditt kylskåp avfrostas automatiskt. Avfrostningsvatten rinner till ett dräneringsrör via en insamlingskanal och samlas upp i en specialbehållare (1) på enhetens baksida (se diagram).

Under avfrostningen kan vattendroppar skapas på baksidan av kylen, där en dold avdunstningsapparat är placerad. En del droppar kan bli kvar på fodret och frysa till igen när avfrostningen är slutförd. Använd inga skarpa instrument som knivar eller gafflar för att ta bort de droppar som frusit fast.

Om avfrostningsvattnet vid något tillfälle inte rinner ut genom uppsamlingskanalen, kan du kontrollera så att inga matrester blockerat dräneringsröret. Dräneringsröret kan rensas genom trycka in plastverktyget som medföljer i dräneringsröret.



6 Underhåll och rengöring

- ⚠ Använd aldrig bensin, bensen eller liknande ämnen för rengöring.
- ⚠ Vi rekommenderar att du kopplar ur utrustningen före rengöring.
- ⚠ Använd aldrig vassa instrument eller slipande medel, tvål, rengöringsmedel, tvättmedel eller polish för rengöring.
- ℹ Använd ljummet vatten för rengöring av enhetens skåp och torka det torrt.
- ℹ Använd en fuktig trasa urvriden i en lösning av en tesked bikarbonatsoda till en halv liter vatten, torka ur interiören och torka sedan torrt.
- ⚠ Se till att inget vatten tränger in i lampkåpan och i andra elektriska tillbehör.
- ⚠ Om enheten inte kommer att användas under en längre tid, stäng då av den, plocka ur all mat, rengör den och lämna dörren på glänt.
- ℹ Kontrollera dörrtätningen regelbundet så att den är ren och fri från matrester.
- ⚠ För att ta bort ett dörrfack tar du först ur allt innehåll och trycker sedan enkelt upp det från sitt fäste.
- ⚠ Använd aldrig rengöringsmedel eller vatten med kloring för att rengöra de utvändiga ytorna och krombelagda delarna på produkten. Klorin orsakar korrosion på sådana metallytor.

Skydd av plastytor

- ℹ Förvara inte rinnande olja eller mat som har tillagats i olja utan att vara tillslutna i kylskåpet, eftersom det kan skada kylskåpets plastytor. Om du spillar olja på plasten, rengör och skölj ytan direkt med varmvatten.

7 Rekommenderade lösningar på problem

Titta igenom listan innan du tillkallar service. Det kan spara både tid och pengar. Den här listan inkluderar vanliga klagomål som inte uppstår till följd av defekter i tillverkningen eller materialanvändningen. Vissa av funktionerna som beskrivs här kanske inte finns på din produkt.

Kylen fungerar inte
<ul style="list-style-type: none">• Är kylskåpet korrekt inkopplat? Sätt i vägguttaget.• Har säkringen som är ansluten till kylskåpet gått? Kontrollera säkringen.
Kondens på kylskåpets sidoväggar.
<ul style="list-style-type: none">• Mycket kalla omgivande förhållanden. Dörren öppnas och stängs ofta. Hög luftfuktighet i den omgivande luften. Lagring av mat med vätska i öppna behållare. Dörren har lämnats öppen.• Vrid termostaten till ett kallare läge.• Minska tiden som dörren lämnas öppen eller öppna inte så ofta.• Täck över mat som lagras i öppna behållare med ett lämpligt material.• Torka av kondens med en torr trasa och kontrollera om den ligger kvar.
Kompressorn går inte
<ul style="list-style-type: none">• Det termiska skyddet i kompressorn kommer att lösas ut vid plötsliga strömavbrott då kylskåpets tryck i kylsystemet inte har balanserats. Ditt kylskåp startar efter omkring 6 minuter. Tillkalla service om kylskåpet inte startar i slutet av den här perioden.• Frysen är i avfrostningsläge. Det här är normalt för en helautomatiskt avfrostande kyl. Avfrostningscykeln inträffar regelbundet.• Kylskåpet är inte inkopplat i strömkällan. Se till att kontakten sitter ordentligt i vägguttaget.• Är temperaturinställningen korrekt?• Det är strömavbrott. Kontakta din elleverantör.

Kylskåpet körs ofta eller under en längre tid.
<ul style="list-style-type: none"> • Ditt nya kylskåp kan vara bredare än det gamla. Detta är helt normalt. Stora kylskåp arbetar under en längre tidsperiod. • Den omgivande rumstemperaturen kan vara hög. Detta är helt normalt. • Kylskåpet kan ha varit inkopplat nyligen eller ha fyllts på med mat. Det kan ta flera timmar innan kylskåpet har kylts ned helt. • Stora mängder mat kanske har placerats i kylskåpet nyligen. Varm mat gör att kylskåpet arbetar längre för att uppnå önskad temperatur. • Dörren kanske har öppnats ofta eller lämnats öppen under en längre tid. Den varma luften som har kommit in i kylskåpet gör att kylskåpet arbetar under längre perioder. Öppna inte dörrarna så ofta. • Frysens eller kylfackets dörr kanske har lämnats öppen. Kontrollera om dörren är ordentligt stängd.
Kylskåpet körs ofta eller under en längre tid.
<ul style="list-style-type: none"> • Kylskåpet är inställt på en mycket kall nivå. Justera kylskåpstemperaturen till en högre nivå tills temperaturen är enligt önskemål. • Dörrens tätning på kyl eller frys kan vara sliten, smutsig eller trasig. Rengör eller byt tätningen. Skadade tätningar kan göra att kylskåpet körs under en längre tid för att bibehålla den aktuella temperaturen.
Frystemperaturen är mycket låg när kyltemperaturen är normal.
<ul style="list-style-type: none"> • Frysens temperatur är inställd på en mycket kall nivå. Justera frystemperaturen till en högre nivå och kontrollera.
Kyltemperaturen är mycket låg när frystemperaturen är normal.
<ul style="list-style-type: none"> • Kylens temperatur är inställd på en mycket kall nivå. Justera kyltemperaturen till en högre nivå.
Mat som förvaras i kylskåpsfacken fryser.
<ul style="list-style-type: none"> • Kylens temperatur är inställd på en mycket kall nivå. Justera kyltemperaturen till en högre nivå.
Temperaturen i kylan eller frysen är mycket hög.
<ul style="list-style-type: none"> • Kylens temperatur är inställd på en mycket kall nivå. Kylinställningen påverkar frysens temperatur. Sänk temperaturen för kyl eller frys tills den ligger på acceptabel nivå. • Dörren kanske har öppnats ofta eller lämnats öppen under en längre tid. Varm luft passerar in i kyl eller frys när dörrarna öppnas. Öppna inte dörrarna så ofta. • Dörren kan ha lämnats öppen. Stäng dörren helt. • Stora mängder mat kanske har placerats i kylskåpet nyligen. Vänta tills kylan eller frysen uppnår önskad temperatur. • Kylskåpet kanske nyligen har varit urkopplat. Neckylningen kan ta tid.

Kylskåpet dånar när det går.
<ul style="list-style-type: none"> Egenskaperna hos kylskåpet kan ändras enligt den omgivande temperaturen. Detta är normalt och inte något fel.
Vibrationer eller felbalans.
<ul style="list-style-type: none"> Golvet är ojämnt eller svagt. Kylskåpet skakar när det rör sig långsamt. Säkerställ att golvet är rakt, kraftigt och att det klarar tyngden från kylskåpet. Ljudet kan orsakas av saker som ligger ovanpå kylan. Sådana saker ska plockas bort från kylens ovasida.
Det förekommer ljud som låter som dropp eller sprutning.
<ul style="list-style-type: none"> Vätske- och gasflöden sker i enlighet med användningsprinciperna för ditt kylskåp. Detta är normalt och inte något fel.
Det förekommer ljud som låter som vind.
<ul style="list-style-type: none"> Luftaktivatorer (fläktar) används för att låta kylan svalna effektivt. Detta är normalt och inte något fel.
Kondens på innerväggarna i kylskåpet.
<ul style="list-style-type: none"> Varmt och fuktigt väder ökar isbildning och kondens. Detta är normalt och inte något fel. Dörrarna är öppna. Kontrollera att dörren är helt stängd. Dörrarna kan ha öppnats mycket ofta eller så kanske de har lämnats öppna under lång tid. Öppna inte dörrarna så ofta. Vatten/fukt/is på kylskåpets utsida.
Fukt bildas på kylskåpets utsida eller mellan dörrarna.
<ul style="list-style-type: none"> Vädret kan vara fuktigt. Det här är helt normalt vid fuktig väderlek. När fuktnivån är lägre försvinner kondensen.
Dålig lukt inne i kylan.
<ul style="list-style-type: none"> Kylskåpets insida måste rengöras. Rengör kylskåpets insida med en svamp och varmt vatten. Vissa behållare eller förpackningsmaterial kan orsaka lukt. Använd en annan behållare eller olika förpackningsmaterial.
Dörrarna går inte att stänga.
<ul style="list-style-type: none"> De kan vara finnas mat i vägen. Byt ut förpackningarna som ligger ivägen för dörren. Kylskåpet står antagligen inte helt plant på golvet och de kanske rär sig något när det förflyttas. Justera lyftskruvarna. Golvet är inte helt plant eller tillräckligt starkt. Säkerställ att golvet är rakt, kraftigt och att det klarar tyngden från kylskåpet.
Grönsaker fastnar.
<ul style="list-style-type: none"> Maten kanske vidrör taket i lådan. Sortera om maten i facket.

Læs venligst denne vejledning først!

Kære kunde

Vi håber, at dit produkt, der er produceret i moderne produktionsanlæg og kontrolleret under de grundigste kvalitetskontrolprocedurer, vil give yde dig en effektiv service.

Derfor anbefaler vi dig grundigt at læse hele vejledningen for produktet, inden du tager det i anvendelse, og gemmer det tilgængeligt for fremtidige opslag.

Denne vejledning

- Vil hjælpe dig med at bruge køle-/fryseskabet hurtigt og sikkert.
- Læs denne vejledning, inden du installerer og betjener produktet.
- Følg instruktionerne, især sikkerhedsinstruktionerne.
- Opbevar denne manual på et nemt tilgængeligt sted, da du kan få brug for den senere.
- Derudover skal du også læse de andre dokumenter, der er fulgt med produktet.
- Bemærk at denne vejledningen også kan være gældende for andre modeller.






Symboler og deres beskrivelse

Denne brugsvejledning indeholder følgende symboler:

 Vigtige informationer eller brugbare tips.

 Advarsel mod farlige forhold for liv og ejendom.

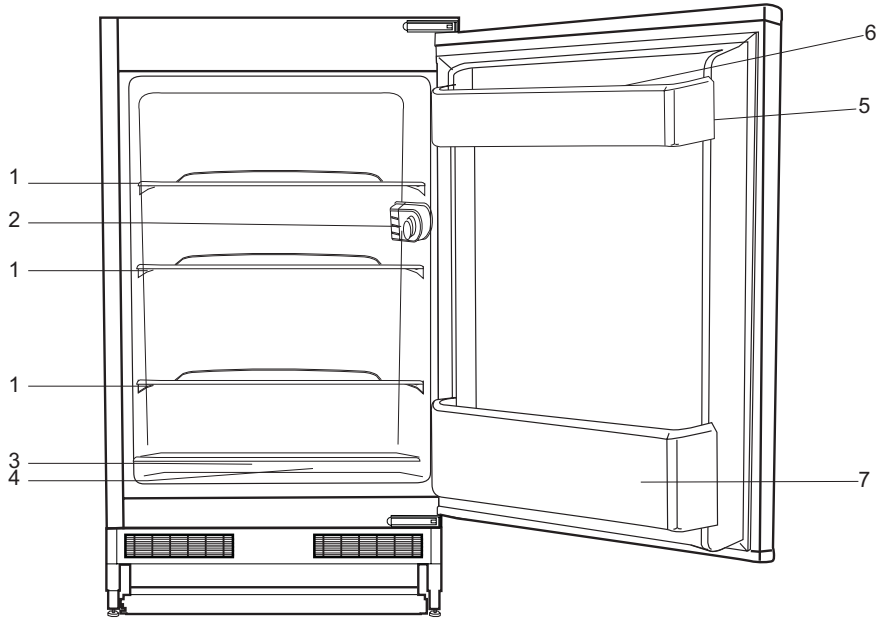
 Advarsel mod strømspænding.

 INFORMATION	
	
<small>SUPPLIER'S NAME</small> 	<small>MODEL IDENTIFIER (*)</small> 
<small>Modeloplysninger, som er gemt i produktbasen, kan nås ved at gå ind på følgende websted og søge efter din modelidentifikator (*), der findes på energimærket. https://eprel.ec.europa.eu/</small>	

INDHOLD

1 Køleskabet	3	4 Forberedelse	14
2 Vigtige sikkerhedsadvarsler	4	5 Anvendelse af køleskabet	15
Tilsigtet brug.....	4	Indstilling af driftstemperaturen	15
Børnesikkerhed	6	Driftstemperaturen reguleres ved temperaturstyringen.....	15
Overholdelse af WEEE-direktivet og bortskaffelse af affald:	7	Temperaturkontrol Og -Justering	15
Overholdelse af RoHS-direktivet:	7	Slukning af køleskabet.....	16
Emballagegsplysninger	7	Afrimning	16
HCA Advarsel.....	7	6 Vedligeholdelse og rengøring	17
Energibesparende foranstaltninger.....	8	Beskyttelse af plasticoverflader	17
3 Installation	9	7 Anbefalede løsninger på problemerne	18
Hvis køleskabet skal transporteres igen	9		
Inden køleskabet betjenes	9		
Elektrisk tilslutning	9		
Bortskaffelse af emballagen	10		
Bortskaffelse af det gamle køleskab.	10		
Placering og installation	10		
Placering af køleskabet under bordet og justering af fødder.....	11		
Udskiftning af belysningslampen	12		
Vende dørene	13		

1 Køleskabet



1. Hylder
2. Termostatboks med pære
3. Kød, pølser, pålæg, dåser.
4. Frugter, grøntsager, salater.
5. Tuber, små flasker og dåser.
6. Æggerum
7. Drikkevarer, store flasker.

i Talene i denne manual er skematiske og svarer måske ikke helt til dit produkt. Hvis det produkt, du har købt, ikke har de angivne dele, kan de findes i andre modeller.

2 Vigtige sikkerhedsadvarsler

Gennemgå følgende informationer. Hvis man undlader at overholde disse informationer, kan det forårsage kvæstelser eller materiel skade. Ellers vil alle garantier og løfter om driftssikkerhed blive ugyldige.

Brugslevetiden for enheden, du har købt, er 10 år. Det er den periode, de reservedele bevares, der er nødvendige for, at enheden kan køre som beskrevet.

Tilsluttet brug

Dette produkt er beregnet til at blive brugt

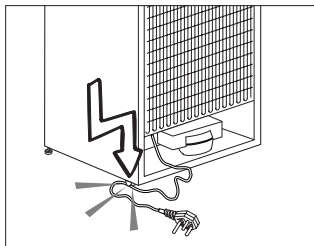
- indendørs og i lukkede områder, som f.eks. hjem;
- i lukkede arbejdsmiljøer, som f.eks. butikker og kontorer;
- lukkede boligområder, som f.eks. stuehus, hoteller, pensionater.
- Dette produkt skal ikke bruges udendørs.

Generelle sikkerhedsregler

- Når du vil bortkaste/skrotte produktet, anbefaler vi, at du rådfører dig med den autoriserede service for at tilegne dig de krævede informationer samt med de autoriserede myndigheder.
- Kontakt den autoriserede forhandler for at få svar på spørgsmål og problemer omkring køle-/fryseskabet. Undlad at foretage indgreb eller lade andre foretage indgreb på køle-/fryseskabet uden at informere den autoriserede forhandler.

- For produkter med fryser; Undlad at spise vaffelis eller isterninger lige efter, du har taget dem ud af fryseren! (Det kan forårsage forfrysninger i munden.)
- For produkter med fryser; læg ikke flydende drikkevarer på flaske eller kande i fryseren. De kan eksplodere.
- Rør ikke frosne madvarer med hænderne, da de kan hænge fast i din hånd.
- Tag køle-/fryseskabet ud af stikket inden rengøring eller afrimning.
- Damp og fordampede rengøringsmaterialer skal aldrig bruges ved rengøring og afrimning af køle-/fryseskabet. Hvis det sker, kan dampen komme i kontakt med de elektriske dele og forårsage kortslutning eller elektrisk stød.
- Brug aldrig delene på køle-/fryseskabet, som f.eks. lågen til at støtte dig på eller stå på.
- Brug ikke elektriske apparater inde i køle-/fryseskabet.
- Undlad at beskadige de dele, hvor kølemidlet cirkulerer, med bore- eller skæreværktøjer. Kølemidlet, som kan blæse ud, når fordampere gaskanaler, forlængerrørene eller overfladebelægningerne punkteres, kan forårsage hudirritationer og øjenskader.
- Undlad med nogen form for materiale at tildække eller blokere ventilationshullerne på køle-/fryseskabet.

- Elektrisk udstyr må kun repareres af autoriserede personer. Reparationer, der er udført af inkompetente personer, skaber en risiko for brugeren.
- I tilfælde af fejlfunktion under vedligeholdelses- eller reparationsarbejde skal køle-/fryseskabets forsyningsnet afbrydes ved enten at slukke for den relevante sikring eller ved at tage apparatets stik ud af kontakten.
- Træk ikke i ledningen, når stikket skal tages ud.
- Placer de drikkevarer, der indeholder højere alkoholprocent, stramt lukket og lodret.
- Opbevarer aldrig sprayflasker, der indeholder brændbare og eksplosive substanser, i køle-/fryseskabet.
- Der må ikke anvendes mekanisk udstyr eller andre midler, ud over de af producenten anbefalede, for at fremskynde afrinningsprocessen.
- Dette produkt er ikke beregnet til at bruges af personer med fysiske handicap, føleforstyrrelser og psykiske lidelser eller personer, som ikke har modtaget instruktion (herunder børn), medmindre de er ledsaget af en person, der er ansvarlig for deres sikkerhed eller som instruerer dem i brug af produktet.
- Lad ikke et beskadiget køle-/fryseskab køre. Kontakt serviceagenten, hvis du har nogen betænkeligheder.
- Der kan kun garanteres for køle-/fryseskabets strømsikkerhed, hvis jordingsystemet i dit hjem opfylder standarderne.
- At udsætte produkterne for regn, sne, sol og vind er farligt hvad angår el-sikkerheden.
- Kontakt autoriseret service, hvis der er et beskadiget strømkabel, for at undgå fare.
- Sæt aldrig køle-/fryseskabet ind i stikkontakten under installationen. Hvis det sker, kan der opstå risiko for dødsfald eller alvorlig skade.
- Dette køle-/fryseskab er kun beregnet til at opbevare madvarer. Det bør ikke bruges til andre formål.
- Typeskiltet med tekniske informationer er placeret på den venstre væg i køle-/fryseskabet.
- Tilslut aldrig køle-/fryseskabet til el-besparende systemer; de kan beskadige køle-/fryseskabet.
- Hvis der er et blåt lys i køle-/fryseskabet, så undlad at kigge på det blå lys med optiske instrumenter.
- For manuelt betjente køle-/fryseskabe skal man vente mindst 5 minutter med at starte det efter strømsvigt.
- Denne brugermanual skal afleveres til den nye ejer når det skifter ejerskab.
- Undlad at beskadige strømkablet, når køle-/fryseskabet transporteres. Det kan forårsage brand at bøje kablet. Placer aldrig tunge genstande på strømkablet. Rør ikke ved stikket med våde hænder, når du tager stikket ud.



- Tilslut ikke køle-/fryseskabet hvis stikkontakten er løs.
- Vand bør ikke blive sprayet direkte på indre og ydre dele af produktet af sikkerhedsmæssige årsager.
- Undlad at sprøjte substanser, der indeholder brændbare gasser, som f.eks. propangas, nær ved køle-/fryseskabet for at undgå risiko for brand og eksplosion.
- Placer aldrig beholdere, der er fyldt med vand, oven på køle-/fryseskabet, da det kan forårsage elektrisk stød eller brand.
- Overfyld ikke køle-/fryseskabet med overdrevne mængder mad. Hvis det er overfyldt, kan maden falde ned og beskadige dig og beskadige køle-/fryseskabet, når lågen åbnes. Placer aldrig genstande oven på køle-/fryseskabet; disse genstande kan falde ned, når du åbner eller lukker køle-/fryseskabslågen.
- Vacciner, varmfølsomme medikamenter, videnskabelige materialer osv. bør ikke opbevares i køle-/fryseskabet, da de har brug for præcis temperatur.
- Køle-/fryseskabet skal tages ud af stikkontakten, hvis det ikke skal bruges i længere tid. Et evt. problem i strømkablet kan forårsage brand.

- Spidsen på stikket bør rengøres jævnligt; ellers kan den forårsage brand.
- Spidsen af stikket bør rengøres jævnligt med en tør klud, da det ellers kan forårsage brand.
- Køle-/fryseskabet kan flytte sig, hvis de justerbare ben ikke er sikret godt nok på gulvet. Rigtigt sikrede justerbare ben på gulvet kan forhindre køle-/fryseskabet i at flytte sig.
- Når køle-/fryseskabet skal bæres, må man ikke holde i lågens håndtag. Hvis det sker, kan det brække.
- Hvis produktet skal placeres ved siden af et andet køle-/fryseskab eller fryser, skal afstanden mellem de to apparater være mindst 8 cm. Ellers kan de tilgrænsende sidevægge blive fugtige.

For produkter med en vanddispenser;

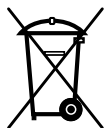
Vandtrykket skal være mindst 1 bar.
Vandtrykket skal være højst 8 bar.

- Brug kun drikkevand.

Børnesikkerhed

- Hvis døren har en lås, bør nøglen opbevares uden for børns rækkevidde.
- Børn skal overvåges for at forhindre, at de piller ved produktet.

Overholdelse af WEEE-direktivet og bortskaffelse af affald:



Dette produkt er i overensstemmelse med WEEE-direktiv (2012/19/EU). Dette produkt bærer et symbol for klassificering af bortskaffelse af elektrisk og elektronisk udstyr (WEEE).

Dette produkt er fremstillet af dele og materialer af høj kvalitet, der kan bruges igen, og som er egnede for genbrug. Smid ikke produktet med husholdningsaffald og andet affald ved slutningen af dets levetid. Bring det til et opsamlingssted for genbrug af elektroniske og elektriske apparater. Kontakt dine lokale myndigheder for at finde nærmeste opsamlingssted.

Overholdelse af RoHS-direktivet:

Det produkt, du har købt, er i overensstemmelse med EU RoHS-direktivet (2011/65/EU). Det indeholder ikke skadelige og forbudte materialer angivet i direktivet.

Emballageopslysninger

Produktets emballage er fremstillet af genbrugsmaterialer i overensstemmelse med vores nationale miljøbestemmelser. Smid ikke emballagen sammen med husholdningsaffald eller andet affald. Bring den til et opsamlingssted udpeget af de lokale myndigheder.

HCA Advarsel

Hvis køle-/fryseskabets kølesystem indeholder R600a:

Denne gas er brændbar. Du skal derfor være opmærksom på ikke at ødelægge kølesystemet og kølerørene under brug og transport. I tilfælde af beskadigelse skal produktet holdes væk fra mulige brandkilder, der kan forårsage, at produktet går i brand, og du skal sørge for at lufte ud i rummet, hvor produktet er placeret.

Ignorer denne advarsel, hvis dit køle-/fryseskabs kølesystem indeholder R134a.

Gastypen, der bruges i produktet, er meddelt på typeskiltet, der er på venstre væg inde i køle-/fryseskabet.

Kast aldrig produktet i en brand for bortskaffelse.

Energibesparende foranstaltninger

- Undlad at lade lågerne i køle-/fryseskabet stå åbne i lang tid.
- Put ikke varm mad eller drikke i køle-/fryseskabet.
- Overfyld ikke køle-/fryseskabet, så luftcirkulationen bliver forhindret.
- Placer ikke dit køle-/fryseskab under direkte sollys eller tæt på varmeudstrålende apparater, som f.eks. ovne, opvaskemaskiner eller radiatorer.
- Vær omhyggelig med at opbevare maden i lukkede beholdere.
- Produkter med en fryser: Du kan opbevare maksimal mængde madvarer i fryseren, hvis du fjerner hylden eller skuffen i fryseren. Energiforbrugsværdien, der er angivet for køle-/fryseskabet, er blevet bestemt ved at fjerne fryserhylden eller -skuffen og under maksimal indfyldning. Der er ingen skade ved at bruge en hylde eller skuffe der passer i form og størrelse til de madvarer der skal fryses.
- Optøning af frossen mad i køle-/fryseskabet vil både skabe energibesparelse og bevare madens kvalitet.

3 Installation

⚠ Husk, at producenten ikke holdes ansvarlig, hvis oplysningerne givet i brugsanvisningen ikke er overholdt.

Hvis køleskabet skal transporteres igen

1. Køleskabet skal tømmes og rengøres inden transport.
2. Hylder, tilbehør, grøntsagsskuffer osv. skal fastgøres sikkert for at modvirke stød, inden produktet pakkes igen.
3. Emballagen skal fastgøres, og reglerne for transport, der er trykt på pakken, skal følges.

Glem ikke, at...

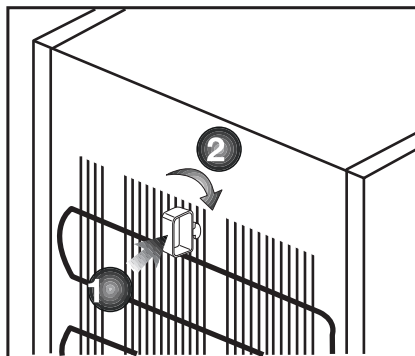
Alt genbrugsmateriale er en uundværlig kilde for naturen og for vore nationale ressourcer.

Hvis du ønsker at medvirke til at genbruge emballagen, kan du få yderligere informationer hos miljøorganisationerne eller de lokale myndigheder.

Inden køleskabet betjenes

Inden du begynder at bruge køleskabet, skal du kontrollere følgende:

1. Køleskabet skal være tørt indvendigt, og luften skal kunne cirkulere frit bagved det.
2. Rengør køleskabet indvendigt som anbefalet i afsnittet "Vedligeholdelse og rengøring".



3. Sæt køleskabets ledning i kontakten. Når køleskabsdøren åbnes, vil køleskabets indvendige lys tændes.
4. Der vil kunne høres en lyd, når kompressoren starter. Kølevæsken og gasarterne, der findes i kølesystemet, kan også støje lidt, selv om kompressoren ikke kører, hvilket er helt normalt.
5. Køleskabets forreste kanter kan føles varme. Dette er normalt. Disse områder er beregnet til at være varme for at undgå kondensering.

Elektrisk tilslutning

Tilslut produktet til en jordet kontakt, der er beskyttet af en sikring med passende kapacitet.

Vigtigt:

- Tilslutningen skal være i overensstemmelse med de nationale regulativer.
- Strømskiftet skal være nemt tilgængeligt efter installationen.
- Den angivne spænding skal være lig med spændingen på dit el-net.

- Mellemkabler og stikdåser med flere stik skal ikke bruges til tilslutningen.
- ⚠ Beskadiget netledning skal udskiftes af autoriseret el-installatøren.
- ⚠ Produktet må ikke betjenes, før det er repareret! Der er fare for elektrisk stød!

Bortskaffelse af emballagen

Emballagen kan være farlig for børn. Hold emballagen væk fra børns rækkevidde eller bortskaf den, idet du skal klassificere den i henhold til affaldsinstruktionerne. Smid den ikke væk sammen med det øvrige husholdningsaffald.

Køleskabets emballage er produceret af genanvendelige materialer.

Bortskaffelse af det gamle køleskab

Bortskaf det gamle køleskab uden at skade miljøet.

- Du kan spørge din forhandler eller genbrugsstationen i din kommune angående bortskaffelse af køleskabet.

Inden køleskabet bortskaffes, skal du skære elstikket af, og hvis der er låse i lågen, skal du gøre dem ubrugelige for at beskytte børn mod fare.

Placering og installation

1. Ungå at placere køleskabet ved varmekilder, fugtige steder og direkte sollys.
2. Der skal være tilstrækkelig ventilation rundt om køleskabet for at opnå en effektiv funktion. Hvis køleskabet skal placeres i en fordybning i væggen, skal der være mindst 5 cm afstand fra loft og væg. Hvis gulvet er belagt med tæppe, skal produktet hæves 2,5 cm fra gulvet.
3. Placér køleskabet på en jævn gulvoverflade for at undgå rystebevægelser.

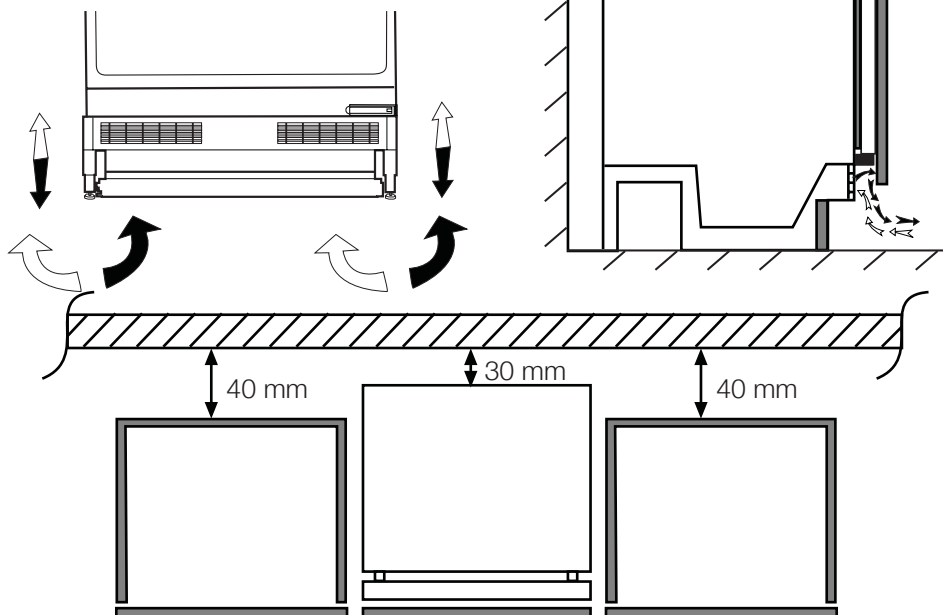
Placering af køleskabet under bordet og justering af fødder

Når du opstiller dit køleskab, skal afstanden mellem produktet og væggen være på mindst 30 mm, som vist i figuren.

Lufkanalerne må ikke blokeres, så køleskabets ydeevne ikke forringes. (140 cm²)

Hvis køleskabet ikke er i balance;

Du kan dreje de forreste læg i køleskabet som vist i figuren og få det i balance. Det hjørne, hvor benet befinder sig, bliver sænket, når du drejer i retning af den sorte pil, og hævet, når du drejer i den modsatte retning. Det bliver nemmere for dig, hvis du får hjælp fra en anden person til at udføre denne justering!



Udskiftning af belysningslampen

For at skifte pæren, der belyser køleskabet, bedes du ringe til den autoriserede service.

Pærernefordettehusholdningsapparat er ikke egnet til belysningsformål. Det tiltænkte formål med denne pære er at gøre det muligt for brugeren at placere levnedsmidler i køleskabet/fryseren på en sikker og bekvem måde.

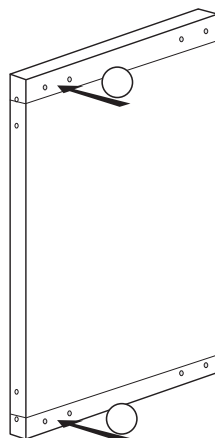
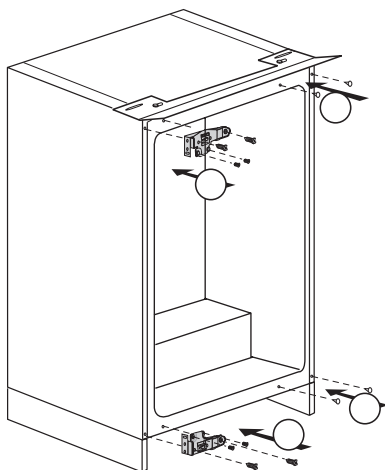
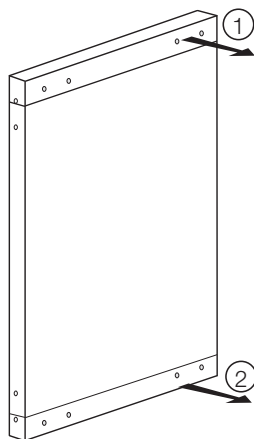
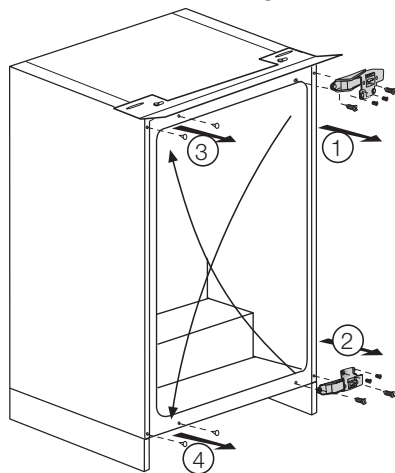
De pærer der anvendes i enheden, skal kunne modstå ekstreme fysiske forhold som eksempelvis temperaturer under -20 °C.

Dette produkt er forsynet med en lyskilde i energiklasse "G".

Lyskilden i dette produkt må kun udskiftes af professionelle reparatører.

Vende dørene

Fortsæt i numerisk rækkefølge

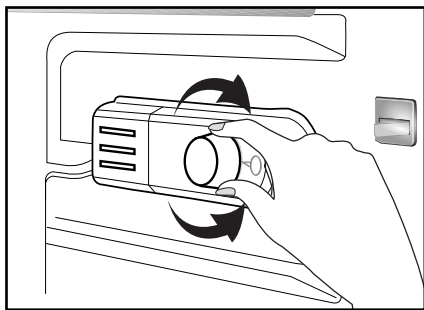


4 Forberedelse

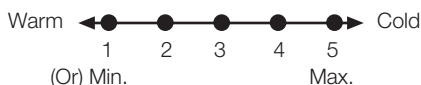
- i** Køleskabet skal installeres mindst 30 cm væk fra varmekilder, som f.eks. kogeplader, ovne, radiatorer og brændeovne, og mindst 5 cm væk fra elektriske ovne, og det bør ikke placeres i direkte sollys.
- i** Den omgivende rumtemperatur bør være mindst 10 °C. Betjening af køleskabet under køligere forhold end dette anbefales ikke med hensyn til apparatets ydeevne.
- i** Sørg for at rengøre køleskabet indvendigt meget grundigt.
- i** Hvis der skal installeres to køleskabe ved siden af hinanden, bør afstanden mellem dem være mindst 2 cm.
- i** Når du betjener køleskabet første gang, skal du være opmærksom på følgende i de første seks timer.
 - Lågen bør ikke åbnes ofte.
 - Det skal køre tomt uden nogen form for mad i det.
 - Tag ikke køleskabet ud af stikkontakten. Hvis der forekommer strømudfald uden for din kontrol, så læs advarselene under afsnittet "Anbefalede løsninger ved problemer".
- i** Original indpakningsmateriale bør opbevares for fremtidig brug under transport eller flytning.

5 Anvendelse af køleskabet

Indstilling af driftstemperaturen



Driftstemperaturen reguleres ved temperaturstyringen.



1 = Laveste indstilling til køl (varmeste indstilling)

5 = Højeste indstilling til køl (koldeste indstilling)

(Eller)

Min. = Laveste indstilling til køl

(Varmeste indstilling)

Maks. = Højeste indstilling til køl

(Koldeste indstilling)

Gennemsnitstemperaturen inde i køleskabet bør være omkring +5 °C

Vælg indstilling efter ønsket temperatur.

Bemærk venligst, at der er forskellige temperaturer i køleområdet.

Det koldeste område er umiddelbart over grøntsagsrummet.

Den indvendige temperatur afhænger også af rumtemperaturen, hvor ofte lågen åbnes, og mængden af madvarer, der opbevares i køleskabet.

Hvis lågen åbnes ofte, får det den indvendige temperatur til at stige.

Det anbefales derfor at lukke lågen så hurtigt som muligt efter brug.

Temperaturkontrol Og -Justering

Driftstemperaturer styres af termostaten (se diagram). Indstillinger kan foretages fra 1 til 5, den koldeste position. Når apparatet tændes for første gang, bør termostaten justeres, således at den gennemsnitlige temperatur efter 24 timer ikke overstiger 5 grader Celcius.

Vi anbefaler, at termostaten indstilles halvvejs mellem 1 og 5, og der kontrolleres, at den ønskede temperatur opnås, dvs. at du mod 5 får en koldere temperatur og omvendt. Visse sektioner af køleskabet kan være koldere og visse varmere (som f.eks. grøntsagsskuffe og øverst i kabinettet). Dette er helt normalt.

Hvis den omgivende temperatur er over 25 °C, især om sommeren, skal du dreje termostatknappen til 5. Hvis den omgivende temperatur er under 25 °C, skal termostatknappen indstilles på midten.

Hyppig åbning af døren får temperaturen inde i skabet til at stige; det tilrådes derfor at lukke døren så hurtigt som muligt efter brug.

- | | |
|---|--|
| 5 | I tilfælde af midlertidig isdannelse i køleskabet, skal temperaturindstillinger reduceres til 1 og holdes øje med, at køleskabstemperaturen ikke overstiger +5 °C. Når isdannelsen forsvinder og apparatet begynder den normale automatiske afrimning, kan du ændre termostatindstillingen, hvis ønsket. |
| - | |
| 4 | |
| - | |
| 3 | |
| - | |
| 2 | |
| - | |
| 1 | |
| - | |
| 0 | |

Slukning af køleskabet

Hvis termostaten er udstyret med "0" -position:

- Køleskabet vil stoppe driften, når du drejer termostatknappen til "0" (nul) -position. Køleskabet starter først, når du drejer termostatknappen til position "1" eller til en af andre positioner.

Hvis termostaten er udstyret med "min" -position:

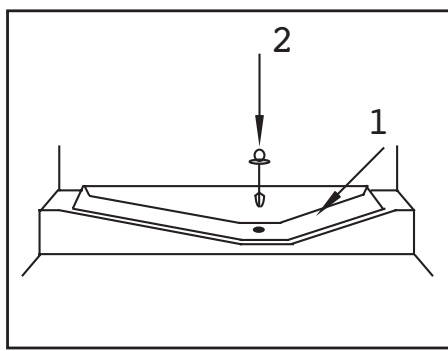
- Tag stikket ud af stikkontakten for at stoppe køleskabets drift.

Afrimning

De store køleskabe afrimer automatisk. Afrimningsvandet løber til drænrøret via en opsamlingskanal og fordamper i en speciel beholder (1) bag på apparatet (se diagram).

Under afrimning kan der dannes vanddråber på køleskabets bagvæg, hvor der findes en skjult fordamper. Det kan ske, at en del af disse dråber forbliver på bagvæggen hvor de fryser fast, så snart afrimningen er tilendebragt. Brug ikke spidse eller skarpe genstande som knive eller gaffer til at fjerne disse frosne dråber.

Hvis det på et tidspunkt sker, at afrimningsvandet ikke løber ud af opsamlingskanalen, bør det kontrolleres, om drænslangen er blevet tilstoppet af madpartikler. Drænslangen kan renses ved at skubbe den specielle medfølgende plasticsvupper ned i drænslangen (2).



6 Vedligeholdelse og rengøring

- ⚠ Anvend aldrig benzin, benzen eller lignede stoffer til rengøring.
- ⚠ Vi anbefaler at koble køle-/fryseskabet fra strømmen inden rengøring.
- ⚠ Anvend aldrig skarpe, slibende redskaber, sæbe, rengøringsmidler, detergenter og pudsemidler med voks til rengøring.
- ℹ Brug lunt vand til rengøring af køle-/fryseskabet udvendigt og tør det af.
- ℹ Anvend en fugtig, opvredet klud i en opløsning af en teske af natron til en halv liter vand til rengøring af køle-/fryseskabet indvendigt og tør det af.
- ⚠ Sørg for, at ingen vand kommer i kontakt med lampen og andre elektriske dele.
- ⚠ Hvis køle-/fryseskabet ikke skal bruges i en længere periode, træk stikket ud af kontakten, fjern al mad, rengør køle-/fryseskabet og lad døren stå på klem.
- ℹ Kontroller jævnligt døristerne for at sikre, at de er rene og frie for madrester.
- ⚠ For at fjerne dørhylder, tømmes indholdet ud, hvorefter dørhylden ganske enkelt løftes op fra sin plads.
- ⚠ Brug aldrig rengøringsmidler eller vand, der indeholder klorin, til rengøring af de ydre overflader og de forkromede dele af produktet. Klorin forårsager korrosion på den slags metaloverflader.

Beskyttelse af plasticoverflader

- ℹ Sæt ikke flydende olie eller olieholdige madvarer i åbne beholdere da de kan ødelægge køle-/fryseskabets plastikdele. Hvis der spildes eller smøres olie på plasticoverfladerne, skal den relevante del af overfladen renses og skylles med det samme med varmt vand.

7 anbefalede løsninger på problemerne

Læs denne liste igennem, inden du ringer efter service. Det kan spare dig for tid og penge. Denne liste indeholder ofte forekommende reklamationer, der ikke opstår af defekt udførelse eller materialebrug. Det er muligt, at nogle af de her beskrevne funktioner ikke findes i dit produkt.

Køle-/fryseskabet virker ikke

- Er køle-/fryseskabet sat rigtigt i stikkontakten? Sæt stikket i kontakten i væggen.
- Er sikringen, som køle-/fryseskabet er tilsluttet, eller hovedsikringen sprunget? Kontroller sikringen.

Kondention på siden af køle-/fryseskabet (MULTIZONE, KØLEKONTROL og FLEXIZONE).

- Meget kolde omgivelser. Ofte åbning og lukning af lågen. Højt fugtindhold i omgivelserne. Opbevaring af mad, der indeholder væske, i åbne beholdere. Lågen står på klem. Sæt termostaten på koldere grader.
- Reducér tiden, hvor lågen står åben, eller brug den mindre ofte.
- Dæk maden, der opbevares i åbne beholdere, til med passende materiale.
- Tør kondensvandet af vha. en tør klud og kontroller, om det vedvarer.

Kompressoren kører ikke.

- Beskyttelsestermo fra kompressoren vil blæse ud under pludselig strømudfald eller tilkoblinger/frakoblinger, da kølemiddeltrykket i køle-/fryseskabets kølesystem ikke er bragt i balance endnu. Køle-/fryseskabet vil starte med at køre efter ca. 6 minutter. Ring efter service, hvis køle-/fryseskabet ikke starter efter denne periode.
- Køle-/fryseskabet er ved at afrime. Dette er normalt for et køle-/fryseskab med fuldautomatisk afrimning. Afrimning foregår med jævne mellemrum.
- Køle-/fryseskabsstikket er ikke sat i kontakten. Sørg for, at stikket er sat ordentligt i kontakten.
- Er temperaturindstillingerne foretaget rigtigt?
- Strømmen kan være afbrudt.

Køle-/fryseskabet kører ofte eller i lang tid.

- Det nye køle-/fryseskab kan være bredere end det foregående. Det er ganske normalt. Store køle-/fryseskabe arbejder i længere perioder.
- Den omgivende rumtemperatur kan være høj. Det er ganske normalt.
- Køle-/fryseskabet kan have været sat til for nylig eller have været fyldt op med mad. Komplet nedkøling af køle-/fryseskabet kan vare et par timer længere.
- Store mængder varm mad kan være blevet sat ind i køle-/fryseskabet fornylig. Varm mad medfører, at køle-/fryseskabet skal køre i længere tid, indtil maden når den ønskede temperatur.
- Lågerne kan have været åbnet jævnlige eller have stået på klem i lang tid. Den varme luft, der er kommet ind i køle-/fryseskabet, får køle-/fryseskabet til at køre i længere perioder. Undlad at åbne lågen så ofte.
- Fryserens eller køle-/fryseskabets dør kan have stået på klem. Kontroller om lågerne er lukket tæt.
- Køle-/fryseskabet er indstillet meget koldt. Indstil køle-/fryseskabstemperaturen højere, indtil temperaturen er tilpas.
- Køle-/fryseskabets eller fryserens lågepakning kan være snavset, slidt, ødelagt eller ikke sat ordentligt på. Rengør eller udskift pakningen. Beskadiget/brækket pakning forårsager, at køle-/fryseskabet kører i længere perioder for at vedligeholde den aktuelle temperatur.

Frysertemperaturen er meget lav, mens køle-/fryseskabstemperaturen er tilpas.

- Frysertemperaturen er indstillet meget koldt. Juster frysertemperaturen varmere og kontroller.

Køle-/fryseskabstemperaturen er meget lav, mens fryserstemperaturen er tilpas.

- Køle-/fryseskabstemperaturen er indstillet til en meget lav temperatur. Juster køle-/fryseskabstemperaturen varmere og kontroller.

Mad, der opbevares i køle-/fryseskabet, fryser.

- Køle-/fryseskabstemperaturen er indstillet til en meget lav temperatur. Juster køle-/fryseskabstemperaturen varmere og kontroller.

Temperaturen i køle-/fryseskab eller fryser er meget høj.
<ul style="list-style-type: none"> • Køle-/fryseskabstemperaturen er indstillet til en meget lav temperatur. Køle-/fryseskabsindstillingen har virkning på fryserens temperatur. Skift køle-/fryseskabets eller fryserens temperatur, indtil køle-/fryseskabs- eller frysertemperatur når et tilpas niveau. • Lågerne kan have været åbnet jævnligt eller have stået på klem i lang tid. • Døren kan have stået på klem, luk døren helt. • Store mængder varm mad kan være blevet sat ind i køle-/fryseskabet fornylig. Vent til køle-/fryseskabet eller fryseren når den ønskede temperatur. • Køle-/fryseskabet kan være taget ud af kontakten fornylig. Komplet nedkøling af køle-/fryseskabet tager tid.
Funktionslyden øges, når køle-/fryseskabet kører.
<ul style="list-style-type: none"> • Egenskaberne for køle-/fryseskabets driftsydelse kan ændre sig alt efter ændringerne i den omgivende temperatur. Det er normalt og ikke en fejl.
Vibrationer eller støj.
<ul style="list-style-type: none"> • Gulvet er ikke lige, eller det er svagt. Køle-/fryseskabet vipper, når det flyttes langsomt. Sørg for, at gulvet er lige, stærkt og kapabelt til at bære køle-/fryseskabet. • Støjen kan være forårsaget af de genstande, der er lagt i køle-/fryseskabet. Ting oven på køle-/fryseskabet skal fjernes.
Der er støj som væske, der løber over eller sprøjter.
<ul style="list-style-type: none"> • Væske- og gasstrømning sker i henhold til køle-/fryseskabets driftsprincipper. Det er normalt og ikke en fejl.
Der er en støj som en vind, der blæser.
<ul style="list-style-type: none"> • Ventilatorer bruges til at køle køle-/fryseskabet. Det er normalt og ikke en fejl.
Kondensvand på køle-/fryseskabets indervægge.
<ul style="list-style-type: none"> • Varmt og fugtigt vejr øger isdannelse og udsvedning. Det er normalt og ikke en fejl. • Dørene kan have stået på klem, sørg for de er helt lukkede. • Lågerne kan have været åbnet jævnligt eller have stået på klem i lang tid.
Der opstår fugt på ydersiden af køle-/fryseskabet eller mellem lågerne.
<ul style="list-style-type: none"> • Der kan være fugtighed i luften hvilket er normalt i fugtigt vejr. Når fugtigheden er mindre, vil kondensen forsvinde.
Dårlig lugt inde i køle-/fryseskabet.
<ul style="list-style-type: none"> • Køle-/fryseskabets skal rengøres indvendigt. Rengør køle-/fryseskabet indvendigt med en svamp, varmt vand eller kulstofholdigt vand. • Nogle beholdere eller emballeringsmaterialer kan forårsage lugten. Brug en anden beholder eller et andet mærke indpakningsmateriale.

Døren lukker ikke.

- Madbeholdere forhindrer lågen i at lukke. Omplacer pakkerne, der blokerer lågen.
- Køle-/fryseskabet står ikke helt lodret på gulvet og vipper når det flyttes lidt. Justér højdeskruerne.
- Gulvet er ikke lige eller stærkt. Sørg for, at gulvet er lige, stærkt og kapabelt til at bære køle-/fryseskabet.

Grøntsagsskuffer sidder fast.

- Maden berører måske skuffens top. Omarranger maden i skuffen.

Vennligst les denne veiledningen først!

Kjære kunde,

Vi håper at produktet ditt, som er produsert ved moderne anlegg og som er kontrollert med strenge kvalitetskontrollprosedyrer, vil gi deg effektiv ytelse.

Derfor ber vi deg lese nøye gjennom denne veiledningen før du bruker produktet og beholde denne for fremtidig bruk.

Bruksanvisningen






- Vil hjelpe deg til å bruke apparatet på en hurtig og sikker måte.
- Vennligst les bruksanvisningen før du installerer og bruker produktet.
- Følg instruksjonene, spesielt de som angår sikkerheten.
- Hold veiledningen lett tilgjengelig, siden du kan ha behov for den senere.
- Les også de andre dokumentene som ble levert sammen med produktet.

Vennligst merk at denne bruksanvisningen kan gjelde for flere andre modeller.

Symboler og beskrivelser av disse

Denne veiledningen inneholder følgende symboler:

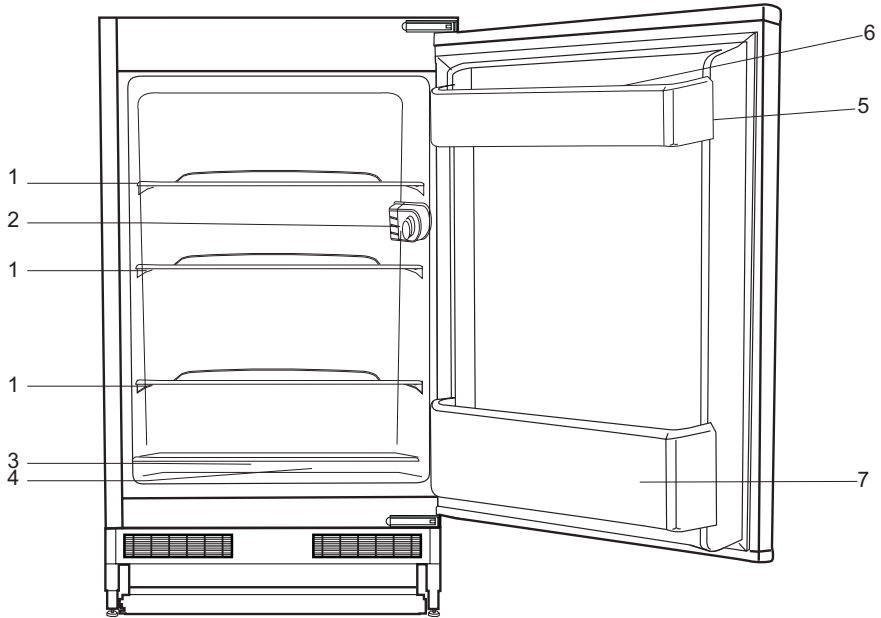
-  Viktig informasjon eller nyttige tips om bruk.
-  Advarsel om farlige tilstander for liv og eiendom.
-  Advarsel om elektrisk spenning.

 INFORMASJON	
 	Modellinformasjonen som er lagret i produktbasen kan nås ved å gå inn på følgende nettsted og søke etter din modellidentifikator (*) som finnes på energimerket.
SUPPLIER'S NAME 	MODEL IDENTIFIER (*) 
	https://eprel.ec.europa.eu/

INNHold

1 Kjøleskapet	3	4 Forberedelse	13
2 Viktige sikkerhetsadvarsler	4	5 Bruk av kjøleskapet	14
Beregnet bruk.....	4	Stille driftstemperaturen	14
For produkter med en vanndispenser:	6	Driftstemperaturen justeres med temperaturkontrollen.....	14
Barnesikring	6	Styring Og Regulering Av Temperaturen	14
Samsvar med WEEE-direktivet og Deponering av avfallsproduktet:	6	Tining	15
Samsvar med RoHS-direktivet:.....	7	Stoppe produktet	15
Informasjon om emballasjen	7	6 Vedlikehold og rengjøring	16
HCA-advarsel	7	Beskyttelse av plastoverflater	16
Ting å gjøre for å spare energi	7	7 Anbefalte løsninger på problemer	17
3 Installasjon	8		
Punkter som er viktige ved ny transportering av kjøleskapet	8		
Før du bruker kjøleskapet	8		
Elektrisk tilkobling	8		
Bortskaffing av emballasjen	9		
Bortskaffing av det gamle kjøleskapet	9		
Plassering og installasjon.....	9		
Plassering av kjøleskapet under kjøkkenbenken og justering av bena	10		
Skifte belysningslampen	11		
Omhengsling av dørene.....	12		

1 Kjøleskapet



1. Kjøleskapshyller
2. Pære termostatboks
3. Kjøtt, pølser, pålegg, hermetikkbokser.
4. Frukt, grønnsaker, salater.
5. Tuber, mindre flasker og hermetikkbokser.
6. Egg-del
7. Drikke, store flasker.

i Figurene i denne veiledningen er skjematisk og kan derfor være litt forskjellige fra ditt produkt. Hvis de tilhørende delene ikke medfølger produktet du har kjøpt, gjelder de for andre modeller.

2 Viktige sikkerhetsadvarsler

Vennligst les følgende informasjon. Hvis denne informasjonen ikke overholdes, kan det forårsake personskader eller materialskader. Videre vil garanti og pålitelighetsløfte bli ugyldig.

Levetiden for produktet du har kjøpt, er 10 år. Dette er perioden for å holde reservedeler som kreves for at enheten skal fungere slik som beskrevet.

Beregnet bruk

Dette produktet er beregnet til bruk

- Innendørs og på lukkede områder, slik som hjem.
- I lukkede arbeidsmiljøer, slik som butikker og kontorer.
- I lukkede husområder, slik som gårder, hoteller, pensjonater.
- Dette produktet skal ikke brukes utendørs.

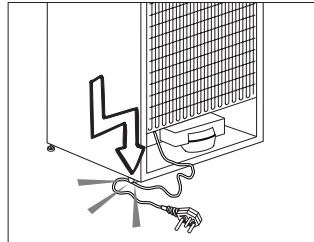
Generell sikkerhet

- Når du ønsker å kaste/skrote produktet, anbefaler vi at du forhører deg med autorisert service for å få nødvendig informasjon og autoriserte myndigheter.
- Hør med autorisert service når det gjelder alle spørsmål og problemer relatert til kjøleskapet. Ikke foreta endringer eller la noen andre foreta endringer på kjøleskapet uten å varsle autorisert service.
- For produkter med en fryserdel: Ikke spis iskrem med kjeks eller isbiter straks etter at du tar dem ut av fryseren! (Dette kan forårsake frostbitt i munnen.)

- For produkter med en fryserdel: Ikke putt drikkevarer på flaske eller bokser i fryseren. Dette kan føre til at de sprekker.
- Ikke rør frossen mat med hendene, da disse kan hefte seg til hånden.
- Trekk ut støpselet før rengjøring eller avising.
- Damp og damprengjøringsmaterialer skal aldri brukes i rengjørings- og avtiningsprosesser for kjøleskapet. I slike tilfeller kan dampen komme i kontakt med de elektriske planene og forårsake kortslutning eller elektrisk sjokk.
- Bruk aldri deler på kjøleskapet slik som døren som støtte eller trinn.
- Ikke bruk elektriske innretninger på innsiden av kjøleskapet.
- Ikke ødelegg delene der kjølevæsken sirkulerer, med drill eller kutteverktøy. Kjølevæsken som kan strømme ut når gasskanaler for fordampere, rørforlengelser eller overflatebelegg punkteres, kan forårsake hudirritasjon og øyeskader.
- Ikke dekk til eller blokker ventilasjonsåpningene på kjøleskapet med noe materiale.
- Elektriske enheter må kun repareres av autoriserte personer. Reparasjoner som utføres av en inkompetent person kan forårsake fare for brukeren.
- I tilfelle feil under vedlikehold eller reparasjonsarbeid, kople fra kjøleskapets strømforsyning ved å slå av relevant sikring eller trekke ut støpselet.

- Ikke trekk etter ledningen når du trekker ut støpslet.
- Plasser drikkebeholdere tett lukket og stående.
- Lagre aldri spraybokser som inneholder antennelig og eksplosive stoffer i kjøleskapet.
- Ikke bruk mekanisk utstyr eller andre midler for å akselerere avisingsprosessen annet enn slikt utstyr som produsenten anbefaler.
- Dette produktet er ikke beregnet til bruk av personer med fysiske, sensoriske eller mentale forstyrrelser eller personer som ikke er opplært eller ikke har erfaring (inkludert barn), med mindre det holdes under oppsyn av personer som er ansvarlige for deres sikkerhet eller som vil instruere dem tilstrekkelig i bruk av produktet.
- Ikke bruk et ødelagt kjøleskap. Hør med serviceagenten hvis du har spørsmål.
- Elektrisk sikkerhet på kjøleskapet kan garanteres kun hvis jordingen i hjemmet oppfyller standardene.
- Det er farlig å utsette produktet for regn, snø, sol og vind pga. elektrisk sikkerhet.
- Ta kontakt med autorisert service når en strømkabel skades for å unngå fare.
- Plugg aldri kjøleskapet inn i vegguttaket under installasjonen. Dette kan føre til fare for døden eller alvorlig skade.
- Dette kjøleskapet er kun beregnet til for å oppbevare mat. Det skal ikke brukes til noen andre formål.
- Merket med tekniske spesifikasjoner befinner seg på venstre vegg inne i kjøleskapet.

- Koble aldri kjøleskapet til strømsparesystemer, de kan skade kjøleskapet.
- Hvis det finnes et blått lys på kjøleskapet, ikke se på det blå lyset med optiske verktøy.
- For manuelt kontrollerte kjøleskap vent i minst 5 minutter for å starte kjøleskapet etter et strømbrydd.
- Denne brukerhåndboken skal overleveres til neste eier av produktet hvis det skifter eier.
- Unngå å skade strømkabelen ved transport av kjøleskapet. Bøying av kabelen kan forårsake brann. Plasser aldri tunge gjenstander på strømledningen. Ikke berør støpselet med våte hender når du kobler til produktet.



- Ikke koble til kjøleskapet hvis vegguttaket er løst.
- Ikke sprut vann direkte på de ytre eller indre delene av produktet av sikkerhetsmessige grunner.
- Ikke spray stoffer som inneholder antennelige gasser, slik som propangass i nærheten av kjøleskapet for å unngå brann- og eksplosjonsfare.
- Ikke plasser gjenstander som er fylt med vann oppå kjøleskapet, da det kan føre til elektrisk støt eller brann.

- Ikke overbelast kjøleskapet med for mye mat. Hvis det overlastes, kan maten falle ned og skade deg og kjøleskapet når du åpner døren. Ikke plasser gjenstander oppe på kjøleskapet, da disse kan falle ned ved åpning eller lukking av kjøleskapsdøren.
- Produkter som trenger en nøyaktig temperaturkontroll (vaksiner, varmesensitive medisiner, forskningsmaterialer osv.), skal ikke oppbevares i kjøleskapet.
- Hvis det ikke skal brukes på lang tid, skal kjøleskapet kobles fra strømuttaket. Et problem i den elektriske kablen kan føre til brann.
- Tuppen på den elektriske pluggen skal rengjøres regelmessig, ellers kan det oppstå brann.
- Tuppen på pluggen skal rengjøres regelmessig med en tørr klut, ellers kan det oppstå brann.
- Kjøleskapet kan flytte seg hvis de justerbare beina ikke er riktig sikret på gulvet. Riktig sikring av justerbare bein på gulvet kan forhindre at kjøleskapet flytter seg.
- Når du bærer kjøleskapet, ikke hold det etter dørhåndtaket. Da kan det knekke av.
- Hvis du må plassere produktet ved siden av et annet kjøleskap eller fryser, skal avstanden mellom enheten være minst 8 cm. Ellers kan sideveggene som grenser til hverandre bli fuktige.

For produkter med en vandisplenser:

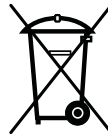
Vanntrykket skal være minst 1 bar.
Vanntrykket skal være maks. 8 bar.

- Bruk kun drikkevann.

Barnesikring

- Hvis du har en lås på døren, skal nøkkelen oppbevares utilgjengelig for barn.
- Barn må passes på for å sikre at de ikke tukler med produktet.

Samsvar med WEEE-direktivet og Deponering av avfallsproduktet:



Dette produktet er i samsvar med EU-direktivt som omhandler elektronisk og elektrisk utstyr (2012/19/EU). Dette produktet har et klassifiseringsymbol for sortering av avfall elektrisk og elektronisk utstyr (WEEE).

Dette produktet er laget av høykvalitetsdeler og -materialer som kan gjenbrukes og resirkuleres. Produktet skal ikke kastes sammen med normalt husholdningsavfall og annet avfall på slutten av levetiden. Ta det med til et innsamlingspunkt for resirkulering av elektriske og elektroniske innretninger. Vennligst forhør deg med de lokale myndighetene for å få opplysninger om slike innsamlingssteder.

Samsvar med RoHS-direktivet:

Produktet du har kjøpt er i samsvar med EU-RoHS-direktivet (2011/65/EU). Det inneholder ingen farlige eller forbudte substanser som er angitt i direktivet.

Informasjon om emballasjen

Emballasjen for dette produktet er produsert av resirkulerbart materiale, i hht. nasjonale miljøforskrifter. Ikke kast emballasjen sammen med normalt husholdningsavfall eller annet avfall. Ta dem til et lokalt innsamlingspunkt som er beregnet på emballasjematerialer.

HCA-advarsel

Hvis produktets kjølesystem inneholder R600a:

Denne gassen er brennbar. Derfor, vær forsiktig så kjølesystemet og rørene ikke ødelegges under bruk og transport. I tilfelle skade skal produktet holdes på avstand fra potensielle brannkilder som kan gjøre at produktet begynner å brenne, og ventiler rommet der enheten er plassert.

Ignorer denne advarselen hvis produktets kjølesystem inneholder R134a:

Typen gass som brukes i produktet er oppgitt på typeskiltet som finnes på venstre vegg inne i kjøleskapet.

Kast aldri produktet inn i flammer.

Ting å gjøre for å spare energi

- Ikke hold dørene til kjøleskapet åpne over lang tid.
- Ikke putt varm mat eller drikke i kjøleskapet.
- Ikke overlast kjøleskapet slik at luften sirkulerer inne i kjøleskapet hvis den ikke forhindres.
- Ikke installer kjøleskapet under direkte sollys eller i nærheten av varmeutstrålende apparater, slik som ovn, oppvaskmaskin eller radiator.
- Se til å holde maten i lukkede beholdere.
- For produkter med en fryserdel: Du kan lagre maksimale mengder mat i fryseren hvis du fjerner hyllen eller skuffen i fryseren. Energiforbruksverdien som er oppgitt for kjøleskapet har blitt bestemt ved å fjerne fryserhyllen eller skuffen og under maksimal last. Det er ingen fare ved bruk av hyllene eller skuffen i henhold til form og størrelse på maten som skal fryses.
- Opptining av frossenmat i kjøleskapsdelen vil både gi energisparing og bevare matkvaliteten.

3 Installasjon

⚠ Vennligst husk at produsenten ikke skal holdes ansvarlig hvis informasjonen som gis i bruksanvisningen ikke overholdes.

Punkter som er viktige ved ny transportering av kjøleskapet

1. Kjøleskapet må tømmes og rengjøres før transport.
2. Hyller, tilbehør, grønnsaksoppbevaringsboks osv. i kjøleskapet må festes godt med teip mot støt før innpakning.
3. Innpakningen må festes med tykk teip og sterke tau, og transportreglene på pakningen må følges.

Vennligst ikke glem...

Hvert resirkulert material er en uunnværlig kilde for naturen og for de nasjonale ressursene.

Hvis du ønsker å bidra til resirkulering av pakkematerialene, kan du få mer informasjon fra miljømyndigheter eller lokale myndigheter

Før du bruker kjøleskapet

Før du begynner å bruke kjøleskapet må du kontrollere følgende:

1. Er de indre delene av kjøleskapet tørre, og kan luften sirkulere fritt på baksiden av skapet?
2. Installer de 2 plastkildene slik som vist på figuren. Plastkiler vi gi nødvendig avstand mellom kjøleskapet og vegg for å kunne gjøre det mulig med luftsirkulasjon. (Den illustrerte figuren er kun et eksempel og samsvarer ikke helt med ditt produkt.)

3. Rengjør de indre delene av kjøleskapet slik som anbefalt i avsnittet "Vedlikehold og rengjøring".
4. Sett kjøleskapets støpsel inn i uttaket. Hvis kjøleskapsdøren er åpen, vil lyset inne i skapet tennes.
5. Du vil høre en lyd når kompressoren starter opp. Væsken og gassene som er foreglet inne i kjølesystemet også kan lage litt støy, selv om kompressoren ikke går, og dette er helt normalt.
6. Frontkantene på kjøleskapet kan føles varme. Dette er normalt. Disse områdene er designet til å være varme for å unngå kondens. 1. Er de indre delene av kjøleskapet tørre, og kan luften sirkulere fritt på baksiden av skapet?


Elektrisk tilkobling

Tilkople produktet til et jordet uttak som er beskyttet av en sikring med riktig kapasitet.

Viktig:

- Tilkoplingen skal være i overensstemmelse med nasjonale forskrifter.
- Strømledningens støpsel skal være lett tilgjengelig etter installasjon.
- Oppgitt spenning må tilsvare spenningen i strømmettet ditt.
- Skjøtekabler og flerveispluggen skal ikke brukes for tilkobling.

⚠ En ødelagt strømledning skal skiftes ut av en kvalifisert elektriker.

 Produktet skal ikke brukes før det er reparert! Det er fare for elektrisk støt!

Bortskaffing av emballasjen

Innpakningsmaterialer kan være farlige for barn. Hold innpakningsmaterialene utilgjengelig for barn eller kast dem ved sortering etter avfallsforskriftene. Ikke kast dem sammen med normalt husholdningsavfall.

Emballasjen for maskinen din er produsert av resirkulerbare materialer.

Bortskaffing av det gamle kjøleskapet

Bortskaff det gamle kjøleskapet uten å skade miljøet.

- Du kan forhøre deg med din autoriserte forhandler eller avfallssorteringssenteret der du bor om bortskaffing av kjøleskapet ditt.

Før du bortskaffer kjøleskapet, kutt av strømstøpselet, og hvis det finnes låser på døren, se til at de ikke lenger virker, slik at barn beskyttes mot all fare.

Plassering og installasjon

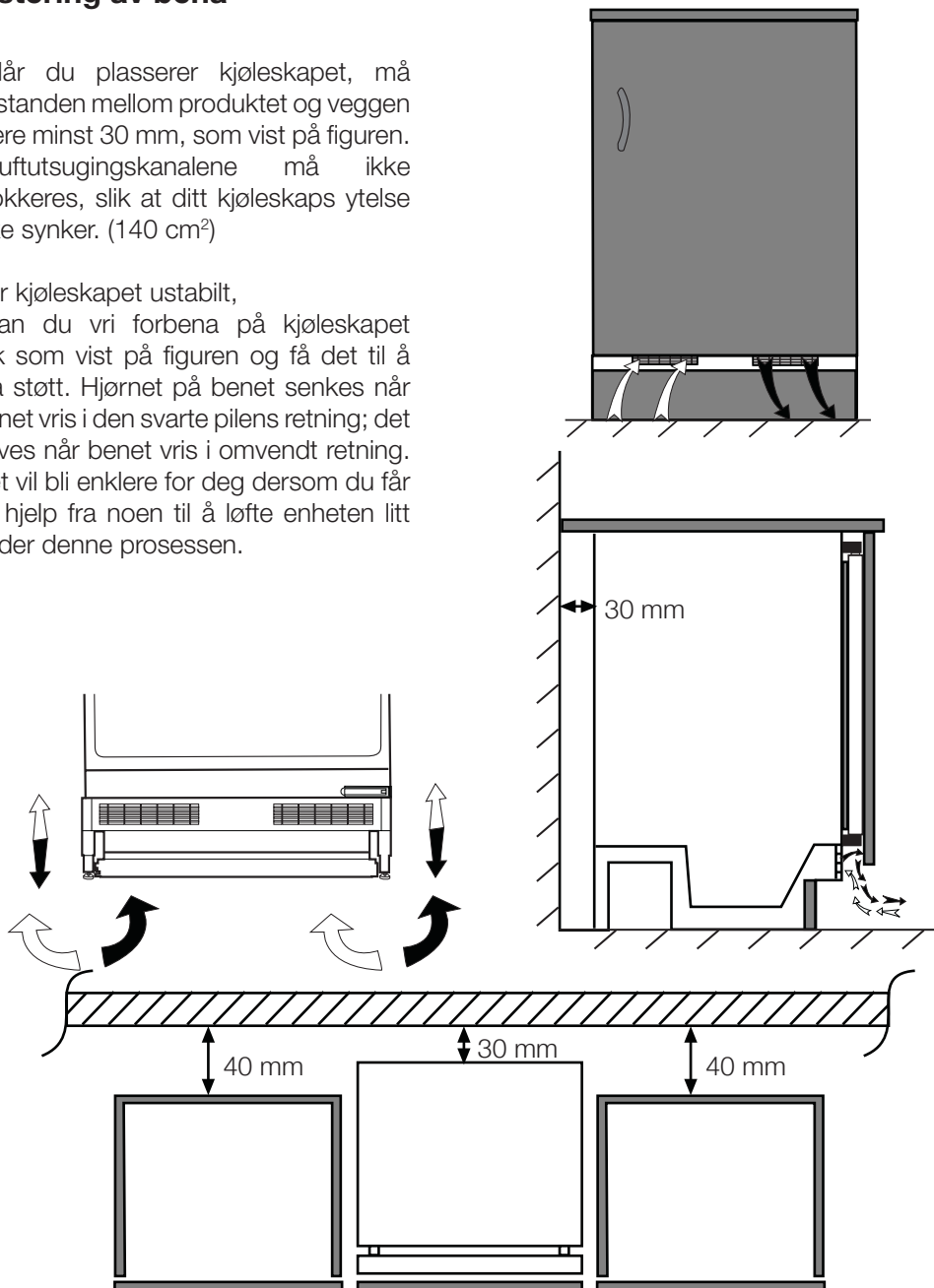
1. Plasser ikke kjøleskapet ved varmekilder, fuktige steder og i direkte sollys.
2. Det skal være tilstrekkelig luftventilasjon rundt kjøleskapet for å oppnå en effektiv drift. Hvis kjøleskapet skal plasseres i en innbygging i veggen, må det være minst 5 cm avstand fra taket og 5 cm fra veggen. Hvis gulvet er dekket med et teppe, skal produktet heves 2,5 cm fra gulvet.
3. Plasser kjøleskapet på jevn gulvoverflate for å unngå støt.

Plassering av kjøleskapet under kjøkkenbenken og justering av bena

Når du plasserer kjøleskapet, må avstanden mellom produktet og veggen være minst 30 mm, som vist på figuren.

Luftutsugingskanalene må ikke blokkeres, slik at ditt kjøleskaps ytelse ikke synker. (140 cm²)

Er kjøleskapet ustabil, kan du vri forbena på kjøleskapet slik som vist på figuren og få det til å stå støtt. Hjørnet på benet senkes når benet vris i den svarte pilens retning; det heves når benet vris i omvendt retning. Det vil bli enklere for deg dersom du får litt hjelp fra noen til å løfte enheten litt under denne prosessen.



Skifte belysningslampen

For å skifte lampen for belysning av kjøleskapet, vennligst ring autorisert service.

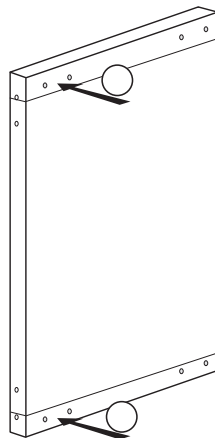
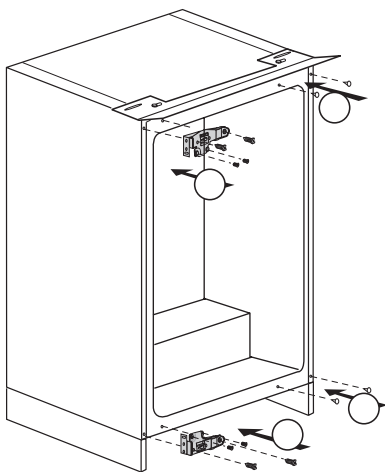
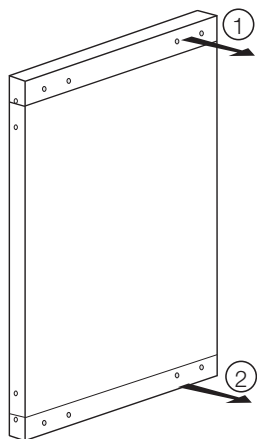
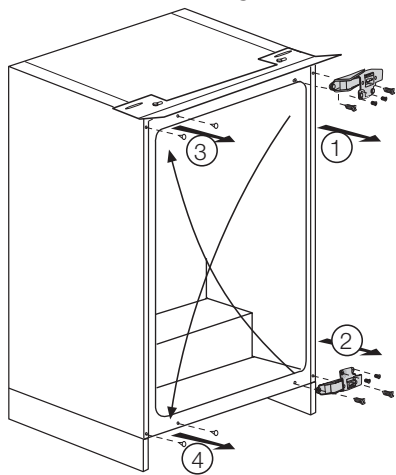
Lampen(e) som brukes i denne enheten er ikke egnet for belysning i hjem. Formålet for denne lampen er å hjelpe brukeren til å plassere matvarer i kjøleskapet/fryseren på en trygg og komfortabel måte.

De lampen die in dit apparaat worden gebruikt moeten bestendig zijn tegen extreme fysieke omstandigheden, zoals temperaturen beneden de -20°C .

Dette produktet er utstyrt med en lyskilde i energiklassen "G".
Lyskilden i dette produktet skal bare erstattes av profesjonelle reparatører.

Omhengsling av dørene

Gå frem i nummerrekkefølge

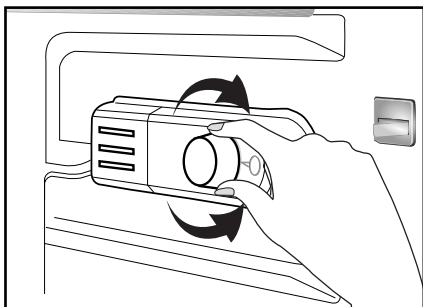


4 Forberedelse

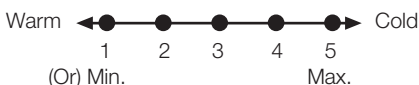
- i** Kjøleskapet skal installeres minst 30 cm på avstand fra varmekilder, slik som f.eks. komfyrer, ovner, sentralvarme og kokeplater, samt minst 5 cm borte fra elektriske ovner og skal ikke plasseres i direkte sollys.
- i** Omgivelsestemperaturen i det rommet der kjøleskapet plasseres skal være minst 10 °C. Bruk av kjøleskapet under kaldere forhold enn dette anbefales ikke pga. effektiviteten.
- i** Vennligst se til at de indre delene av kjøleskapet rengjøres grundig.
- i** Hvis to kjøleskap skal installeres ved siden av hverandre, skal det være en avstand på minst 2 cm mellom dem.
- i** Når du bruker kjøleskapet for første gang, vennligst følg instruksene rundt de første seks timene.
 - Døren skal ikke åpnes ofte.
 - Det skal kun brukes tomt uten mat.
 - Ikke trekk ut støpselet for kjøleskapet. Hvis et strømbrudd oppstår som du ikke kan kontrollere, vennligst se advarsler i avsnittet "Anbefalte løsninger på problemer".
- i** Originalinnpakningen og skummaterialer skal beholdes for fremtidig transport eller flytting.

5 Bruk av kjøleskapet

Stille driftstemperaturen



Driftstemperaturen justeres med temperaturkontrollen.



**1 = Laveste kjøleinnstilling
(Varmeste innstilling)**

**5 = Høyeste kjøleinnstilling
(Kaldeste innstilling)**

(eller)

**Min. = Laveste kjøleinnstilling
(Varmeste innstilling)**

**Maks. = Høyeste kjøleinnstilling
(Kaldeste innstilling)**

Gjennomsnittstemperaturen inne i kjøleskapet bør ligge på om lag +5 °C.

Vennligst velg innstilling etter ønsket temperatur.

Vennligst merk at det vil være ulike temperaturer i kjøleområder.

Det kaldeste området er rett ovenfor grønnsaksområdet.

Interiørtemperaturen avhenger også av omgivelsestemperaturen, hvor ofte døren åpnes og mengde mat som oppbevares på inne i skapet.

Hvis døren åpnes ofte, kan temperaturen inne i kjøleskapet øke.

Av denne grunn anbefales det å lukke døren igjen så snart som mulig etter bruk.

Styring Og Regulering Av Temperaturen

Driftstemperaturen kontrolleres av termostatknappen (se tegn.). Innstillingene kan gjøres i intervaller fra 1 til 5, som er den kaldeste innstillingen. Når apparatet slås på for første gang, skal termostaten justeres slik at gjennomsnittstemperaturen i kjøleskapet etter 24 timer ikke er høyere enn +5 °C.

Vi anbefaler at du stiller termostaten halvveis mellom 1- og 5-innstillingen og overvåker for å oppnå den ønskede temperaturen, dvs. mot 5 vil du oppnå en kaldere kjøleskapstemperatur og omvendt. Noen deler av kjøleskapet kan være kjøligere eller varmere (som for eksempel grønnsaksoppbevaringsboksen og den øverste delen av skapet) noe som er helt normalt.

Med en romtemperatur på over 25 °C, og spesielt om sommeren, skal du vri termostatbryteren mot 5. Med en romtemperatur på under 25 °C, skal du vri termostatbryteren til midtposisjonen.

Hvis døren åpnes og lukkes ofte kan

5 det føre til at temperaturen inne i kjøleskapet øker, så lukk døren så fort som mulig etter bruk.

4 I tilfelle midlertidig isdannelse i kjøleskapet, reduser termostatinnstillingen til 1, og overvåk samtidig at kjøleskapet er maks. +5 °C. Når isdannelsen forsvinner og apparatet begynner automatisk avising som normalt, kan du igjen øke termostatinnstillingen hvis ønskelig.

3
-
2
-
1
-
0

Stoppe produktet

Hvis termostaten er utstyrt med en "0"-posisjon:

- Produktet vil stoppe driften når du stiller termostatknappen til "0" (null). Produktet vil ikke starte med mindre du stiller termostatknappen til "1" eller en av de andre posisjonene igjen.

Hvis termostaten er utstyrt med en "min"-posisjon:

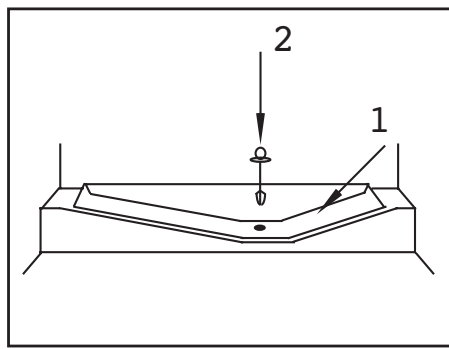
- Koble fra produktet for å stoppe det.

Tining

Kjøleskapet avises automatisk. Vannet fra avisingen renner ned i avløpsrøret via en oppsamlingsrenne og fordampes i en spesialbeholder (1) på baksiden av apparatet (se tegning).

Under avising vil det danne seg vanndråper bakerst i kjøleskapet der det befinner seg en skjult fordampers. Det kan være igjen noen dråper på avstandsstykket som kan fryse til når avisingen er avsluttet. Ikke bruk spisse eller skarpe gjenstander som kniver eller gafler til å fjerne frosne dråper.

Hvis avisingsvannet ikke skulle renne ut fra samlerennen må du kontrollere at det ikke ligger igjen noen matsmuler som kan ha stoppet til avløpsrøret. Avløpsrøret kan åpnes ved å presse den tilhørende plastiktappen ned i avløpsrøret (2).



6 Vedlikehold og rengjøring

- ⚠ Bruk aldri bensin, benzen eller lignende stoffer til rengjøring.
- ⚠ Vi anbefaler at du trekker ut støpselet på apparatet før rengjøring.
- ℹ Bruk aldri noen skarpe redskaper eller rengjøringsmidler med skureeffekt, såpe, rengjøringsmidler for hjemmebruk eller voks til rengjøringen.
- ℹ Bruk lunkent vann for å vaske skapet og tørk det tørt.
- ℹ Bruk en fuktig klut vridd opp i en oppløsning av en teskje bikarbonatsoda til ca. ½ liter vann for å rengjøre innsiden av skapet og tørk det tørt.
- ⚠ Pass på at det ikke kommer vann inn i pærehuset eller andre elektriske gjenstander.
- ⚠ Hvis kjøleskapet ikke skal brukes over en lengre periode, må du trekke ut støpselet, ta ut alle matvarer, rengjøre det og sette døren på klem.
- ℹ Kontroller pakningene til dørene jevnlig for å sikre at de er rene og fri for matrester.
- ℹ For å demontere dørstativene tar du først ut alt innholdet og så skyver du ganske enkelt dørstativet opp fra bunnen.
- ℹ Bruk aldri rengjøringsmidler eller vann som inneholder klor til å rense de ytre overflatene og krombelagte delene av produktet. Klor forårsaker korrosjon på slike metallflater.

Beskyttelse av plastoverflater

- ℹ Ikke putt flytende oljer eller oljekokte måltider i kjøleskapet i uforseglede beholdere, da disse kan ødelegge plastoverflatene i kjøleskapet. Ved søling eller smøring av olje på plastoverflater, rengjør og rens relevant del av overflaten med en gang med varmt vann.

7 Anbefalte løsninger på problemer

Kontroller følgende liste før du ringer service. Det kan spare deg tid og penger. Denne listen inkluderer hyppige klager som ikke oppstår fra defekt utføring eller materialbruk. Noen av funksjonene som beskrives her finnes kanskje ikke i ditt produkt.

Kjøleskapet virker ikke
<ul style="list-style-type: none">• Er kjøleskapet pluggnet inn? Sett støpselet inn i strømuttaket.• Har sikringen til uttaket kjøleskapet er tilknyttet eller hovedsikringen gått? Kontroller sikringen.
Kondens på sideveggen av kjøleskapet. (MULTI ZONE, COOL CONTROL og FLEXI ZONE)
<ul style="list-style-type: none">• Svært kalde omgivelsesforhold. Hyppig åpning eller lukking av døren. Svært fuktige omgivelsesforhold. Lagring av mat som inneholder væske i åpne beholdere. Døren står på gløtt.• Still termostaten til kaldere grad.• Reduser tiden døren står åpen eller bruk mindre hyppig.• Dekk til mat som lagres i åpne beholdere med egnet materiale.• Tørk av kondensen med en tørr klut og kontroller om problemet fortsetter.
Kompressoren går ikke
<ul style="list-style-type: none">• Termovern for kompressoren vil koples ut under plutselig strømbrudd eller utplugging og innplugging hvis kjølevæsketrykket i kjølesystemet til kjøleskapet ikke er balansert.• Kjøleskapet vil starte etter ca. 6 minutter. Vennligst ring service hvis kjøleskapet ikke starter etter utløpet av denne tiden.• Kjøleskapet er i defrostsyklus. Dette er normalt for helautomatisk avisningskjøleskap. Avisningssyklusen gjennomføres regelmessig.• Kjøleskapet er ikke tilkopleet strømuttaket. Kontroller at støpselet er satt godt inn i kontakten.• Er temperaturinnstillingene foretatt riktig? Det er strømbrudd. Ring strømleverandøren.

Kjøleskapet går hyppig eller over lang tid.

- Det nye kjøleskapet kan være bredere enn det gamle. Dette er helt normalt. Store kjøleskap arbeider over lengre tidsperioder.
- Romtemperaturen kan være høy. Dette er helt normalt.
- Kjøleskapet kan ha vært plagget inn nylig eller blitt lastet med mat. Fullstendig neckjøling av kjøleskapet kan ta et par timer lenger.
- Store mengder varm mat har blitt lagt inn i kjøleskapet nylig. Varm mat forårsaker lengre drift av kjøleskapet inntil den oppnår sikker oppbevaringstemperatur.
- Dørene kan ha vært åpnet hyppig eller stått på gløtt i lang tid. Varm luft som har kommet inn i kjøleskapet gjør at kjøleskapet kjører over lang tid. Åpne dørene mindre hyppig.
- Fryser- eller kjøleskapsdør kan ha stått på gløtt. Kontroller om dørene er tett lukket.
- Kjøleskapet er justert til svært kald temperatur. Juster kjøleskapets temperatur til høyere grad og vent inntil temperaturen er oppnådd.
- Dørtetningen til kjøleskapet eller fryseren kan være tilsmusset, utslitt, ødelagt eller ikke på plass. Rengjør eller skift ut tetningen. Skadet/ødelagt tetning gjør at kjøleskapet går over lang tid for å opprettholde aktuell temperatur.

Frysertemperaturen er svært lav, mens kjøleskapstemperaturen er tilstrekkelig.

- Fryserens temperatur er justert til svært lav temperatur. Juster fryserens temperatur til høyere grad og kontroller.

Kjøleskapstemperaturen er svært lav, mens frysertemperaturen er tilstrekkelig.

- Kjøleskapets temperatur er justert til svært lav temperatur. Juster kjøleskapets temperatur til høyere grad og kontroller.

Mat som oppbevares i skuffene fryser.

- Kjøleskapets temperatur er justert til svært lav temperatur. Juster kjøleskapets temperatur til høyere grad og kontroller.

Temperaturen i kjøleskapet eller fryseren er svært høy.

- Kjøleskapets temperatur er justert til svært høy grad. Kjøleskapsjusteringen har virkning på temperaturen til fryseren. Endre temperaturen i kjøleskapet eller fryseren inntil kjøleskapets eller fryserens temperatur når et tilstrekkelig nivå.
- Døren kan ha stått på gløtt. Lukk døren helt.
- Store mengder varm mat har blitt lagt inn i kjøleskapet nylig. Vent inntil kjøleskap eller fryser når ønsket temperatur.
- Kanskje kjøleskapet nettopp ble tilkoblet. Fullstendig neckjøling av kjøleskapet tar tid pga. størrelsen.

Støy som ligner lyden av sekunder som høres fra en analog klokke kommer fra kjøleskapet.
<ul style="list-style-type: none"> Støyen kommer fra solenoidventilen på kjøleskapet. Solenoidventilen har til hensikt å sikre at kjølemiddelet passerer gjennom delen som kan justeres til kjøle- eller frysetemperaturer og utføre kjølefunksjoner. Dette er normalt og er ingen feil.
Driftslyden øker når kjøleskapet går.
<ul style="list-style-type: none"> Ytelseegenskapene til kjøleskapet kan endres etter endringene i omgivelsestemperaturen. Dette er helt normalt og er ingen feil.
Vibrasjon eller klapping.
<ul style="list-style-type: none"> Gulvet er ikke jevnt eller er svakt. Kjøleskapet vugger når det flyttes sakte. Se til at gulvet er jevnt, sterkt og har evne til å bære kjøleskapet. Støyen kan forårsakes av gjenstandene som legges inn i kjøleskapet. Slike gjenstander skal fjernes fra toppen av kjøleskapet.
Det er lyder som ligner væskesøl eller spraying.
<ul style="list-style-type: none"> Væske- og gasstrømninger skjer etter virkeprinsippene til kjøleskapet. Dette er helt normalt og er ingen feil.
Det høres støy som om det blåser vind.
<ul style="list-style-type: none"> Luftvifter brukes for at kjøleskapet skal kjøle effektivt. Dette er helt normalt og er ingen feil.
Kondens på de indre veggene på kjøleskapet.
<ul style="list-style-type: none"> Varmt og fuktig vær øker ising og kondens. Dette er helt normalt og er ingen feil. Dørene står på gløtt. Se til at dørene lukkes fullstendig. Dørene kan ha vært åpnet svært hyppig eller stått åpne i lang tid. Åpne døren mindre hyppig.
Fuktighet oppstår på utsiden av kjøleskapet eller mellom dørene.
<ul style="list-style-type: none"> Været kan være fuktig. Dette er helt normalt ved fuktig vær. Når fuktigheten er lavere, vil kondensen forsvinne.
Dårlig lukt inne i kjøleskapet.
<ul style="list-style-type: none"> Det må rengjøres inni kjøleskapet. Rengjør innsiden av kjøleskapet med en svamp, varmt vann eller karbonert vann. Noen beholdere eller innpakningsmaterialer kan forårsake lukten. Bruk en annen beholder eller annet merke på innpakningsmaterialet.
Døren(e) lukkes ikke.
<ul style="list-style-type: none"> Matpakninger forhindrer lukking av døren. Flytt pakninger som forhindrer lukking av døren. Kjøleskapet er antagelig ikke plassert helt vertikalt på gulvet og kan vugge når det beveges forsiktig. Juster høydeskruene. Gulvet er ikke jevnt eller sterkt. Se til at gulvet er jevnt og har evne til å bære kjøleskapet.
Grønnsaksoppbevaringsboksene sitter fast.
<ul style="list-style-type: none"> Mat kan berøre taket i skuffen. Ordne maten i skuffen på nytt.

Kundendienst

Führen Sie auf keinen Fall Arbeiten, vor allem an den elektrischen Teilen des Gerätes, selbst aus.

Zuständige TEKA - Kundendienstadresse:

DEUTSCHLAND

EGS GmbH

Dieselstrasse 1

33397 Rietberg / DEUTSCHLAND

Kundentelefon für Deutschland: 02944 - 971 675 0

Telefax: 02944 - 971 677

E-Mail: tdv@egs-gmbh.de

Internet: www.egs-gmbh.de

Bitte geben Sie unbedingt an:

- Vollständige Anschrift und Telefon Nr.**
- Gerätetyp und Seriennummer.**
(Ist auf dem Rating Label zu sehen)
- Fehlerbeschreibung.**

TEKA



User Manual

TKI3 145 D EU
RSL 41150 BU EU

FI
RUS

Lue tämä käyttöopas ensin ennen käyttöä!

Hyvä asiakas,

Haluamme, että tuotteesi, joka on valmistettu nykyaikaisissa tuotantolaitoksissa ja läpäissyt tarkat laadunvalvontatestit, toimivan mahdollisimman hyvin.

Siksi pyydämme sinua lukemaan käyttöoppaan huolellisesti ennen tuotteen käyttämistä ja säilyttävän sen myöhempää käyttöä varten.

Tämä käyttöopas...

...auttaa käyttämään laitetta nopeasti ja turvallisella tavalla.

* Lue käyttöopas ennen laitteen asennusta ja käyttöä.

* Noudata ohjeita, erityisesti turvallisuutta koskevia.

* Säilytä käyttöopas helposti saatavilla olevassa paikassa, sillä voit tarvita sitä myöhemmin.

* Lue myös muut tuotteen mukana tulleet asiakirjat.

Huomaa, että tämä käyttöopas voi soveltua myös muihin malleihin.






Symbolit ja niiden kuvaus

Käyttöoppaassa esiintyvät seuraavat symbolit:

 Tärkeitä tietoja tai hyödyllisiä käyttövihjeitä.

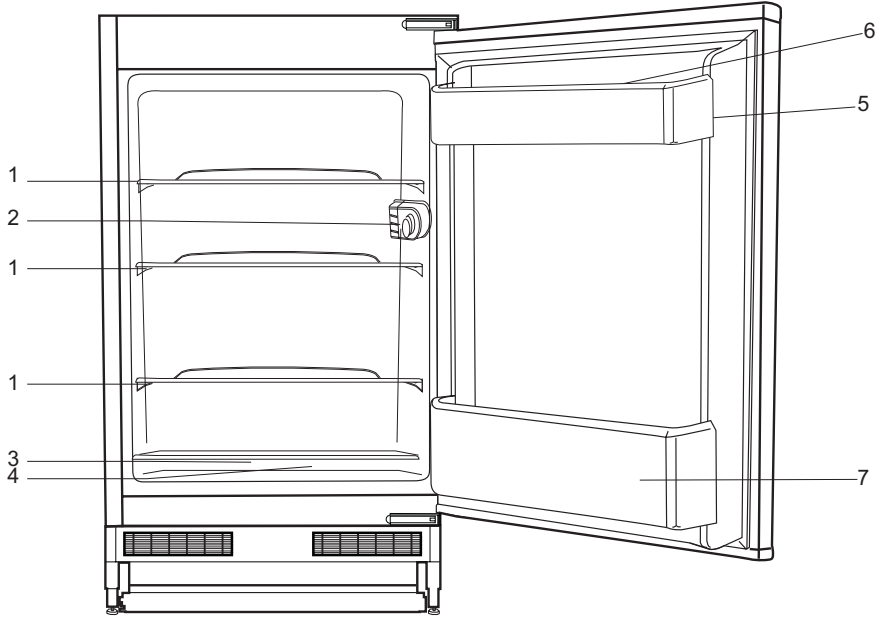
 Varoitus hengelle ja omaisuudelle vaarallisista olosuhteista.

 Varoitus sähköjännitteestä.

 TIETOJA	
	
<small>SUPPLIER'S NAME</small> 	<small>MODEL IDENTIFIER (*)</small> 
<small>Tuotetietokantaan tallennetut mallitiedot löytyvät seuraavalta verkkosivulta etsimällä tuotetunnusella (*), joka löytyy energikilvestä.</small>	
<small>https://eprel.ec.europa.eu/</small>	

1 Jääkaappi	3	4 Valmistelu	13
2 Tärkeitä turvallisuusvaroituksia	4	5 Jääkaapin käyttäminen	14
Käyttötarkoitus	4	Käyttölämpötilan asettaminen	14
Laitteet, joissa on vesiautomaatti	6	Käyttölämpötilaa säädetään lämpötilasäätimellä.	14
Lasten turvallisuus	6	Lämpötilan Ohjaus Ja Sääto	14
Sähkö- ja elektroniikkaromua koskevan direktiivin (WEEE) vaatimustenmukaisuus ja tuotteen hävittäminen:	6	Sulatus	15
RoHS-direktiivin vaatimustenmukaisuus:	7	Laitteen pysäyttäminen	15
Pakkaustiedot	7	6 Ylläpito ja puhdistus	16
HCA-varoitus	7	Muoviosien suojele	16
Energian säästötoimet	7	7 Suositellut ongelmanratkaisut	17
3 Asennus	8		
Jääkaapin kuljetuksessa huomioitavat asiat	8		
Ennen käyttöönottoa	8		
Sähköliitännät	8		
Pakkauksen hävittäminen	9		
Vanhan jääkaapin hävittäminen	9		
Sijoittaminen ja asennus	9		
Jääkaapin asettaminen työpöydän alle ja jalkojen säätäminen	10		
Lampun vaihtaminen	11		
Ovien uudelleen sijoitus	12		

1 Jääkaappi



- 1- Runkohyllyt
- 2- Lampun termostaattirasia
- 3- Liha, makkarat, leikkeleet, säilykkeet.
- 4- Hedelmät, kasvikset, salaattit.
- 5- Putkilot, pienet pullot ja säilykkeet.
- 6- Kananmunalokero
- 7- Virvoitusjuomat, suuret pullot.

I Tämän käyttöoppaan kuvat ovat kaavamaisia eivätkä ehkä täsmälleen vastaa tuotettasi. Jos ostamassasi tuotteessa ei ole joitain osia, ohjeet koskevat muita malleja.

2 Tärkeitä turvallisuusvaroituksia

Tutustu seuraaviin ohjeisiin. Näiden ohjeiden noudattamatta jättäminen saattaa aiheuttaa loukkaantumisen tai aineellisia vahinkoja. Muuten kaikki takuu- ja käyttövarmuusvastuut mitätöityvät.

Ostamasi laitteen käyttöikä on 10 vuotta. Tämä on myös aika, jonka kuluessa laitteen toimintaan kuvatulla tavalla tarvittavia varaosia on saatavana.

Käyttötarkoitus

Tämä tuote on suunniteltu

- sisätiloihin ja suljettuihin tiloihin kuten koteihin,
- suljettuihin työskentely-ympäristöihin, kuten myymälöihin ja toimistoihin,
- suljettuihin majoitustiloihin kuten maataloille, hotelleihin ja pensionaatteihin.
- Tuotetta ei saa käyttää ulkona.

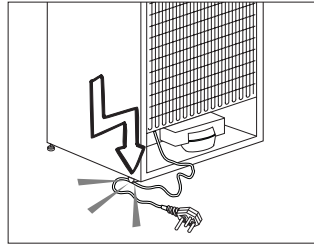
Yleinen turvallisuus

- Kun haluat hävittää/romuttaa laitteen, suosittelemme ottamaan yhteyttä valtuutettuun huoltoon vaadittavien tietojen ja valtuutettujen tahojen selville saamiseksi.
- Ota yhteys valtuutettuun huoltoon kaikissa jääkaappiin liittyvissä kysymyksissä ja ongelmissa. Älä puutu tai anna kenenkään muun puuttua jääkaapin huoltoon ilmoittamatta valtuutettuun huoltoon.
- Tuotteet joissa on pakastusosasto: Älä laita jäätelöä tai jääkuutioita suuhusi heti otettuasi ne pakastinosastosta! (Se voi aiheuttaa suuhun paleltuman.)

- Tuotteet joissa on pakastusosasto: Älä laita pulloitettuja tai tölkitettyjä nesteitä pakastinosastoon. Ne voivat pakastettaessa särkyä.
- Älä kosketa käsin pakastettua ruokaa, se voi tarttua käteesi.
- Irrota jääkaappi verkkovirrasta ennen puhdistamista tai sulattamista.
- Höyryä ja höyrystyviä puhdistusaineita ei saa koskaan käyttää jääkaapin puhdistuksessa ja sulatuksessa. Höyry voi tässä tapauksessa päästä kosketuksiin sähköosien kanssa ja aiheuttaa oikosulun tai sähköiskun.
- Älä koskaan käytä jääkaapin osia, kuten ovea, tukena tai askelmana.
- Älä käytä sähkölaitteita jääkaapin sisällä.
- Älä vahingoita poraamalla tai leikkaamalla osia, joissa jäähdytysaine kiertää. Jäähdytysainetta voi suihkuta ulos, kun haihduttimen kaasukanava, johdon jatke tai pinnoite puhkaistaan, ja se voi aiheuttaa ihon ärsytystä ja silmävahinkoja.
- Älä peitä tai tuki millään materiaalilla jääkaapin tuuletusaukkoja.
- Vain valtuutetut henkilöt saavat korjata sähkölaitteita. Epäpätevän henkilön tekemät korjaukset voivat aiheuttaa vaaran käyttäjälle.
- Vian ilmetessä tai jääkaappia huollettaessa tai korjattaessa sammuta virta joko kääntämällä sulake pois päältä tai irrottamalla virtajohto.
- Älä vedä johdosta irrottaessasi pistokkeen.

- Säilytä väkevät alkoholijuomat tiukasti suljettuna pystyasennossa.
- Älä säilytä jääkaapissa suihkepulloja, jotka sisältävät syttyviä ja räjähtäviä aineita.
- Älä käytä sulatusprosessin nopeuttamiseen mekaanisia tai muita keinoja, joita valmistaja ei suosittele.
- Tätä laitetta ei ole tarkoitettu sellaisten henkilöiden (lapset mukaan lukien) käytettäväksi, joilla on heikentyneet fyysiset, aistimelliset tai henkiset kyvyt tai joilta puuttuu kokemusta ja tietoa, jollei heidän turvallisuudestaan vastaava henkilö valvo heitä ja opasta heitä laitteen käytössä.
- Älä käytä rikkoutunutta jääkaappia. Jos epäilet vikaa, ota yhteys huoltoedustajaan.
- Jääkaapin sähköturvallisuus taataan vain, jos kodin maadoitusjärjestelmä on standardien mukainen.
- Laitteen altistaminen sateelle, lumelle, auringolle ja tuulelle on vaarallista sähköturvallisuuden kannalta.
- Ota yhteys valtuutettuun huoltoon, jos sähköjohto on vahingoittunut, jotta vältetään vaarat.
- Älä koskaan liitä jääkaappia pistorasiaan asennuksen aikana. Se voi aiheuttaa vaaran, joka voi johtaa kuolemaan tai vakavaan vammaan.
- Tämä jääkaappi on tarkoitettu pelkästään elintarvikkeiden säilytykseen. Sitä ei saa käyttää mihinkään muihin tarkoituksiin.
- Tekniset tiedot sisältävä tyypikilpi sijaitsee jääkaapin sisällä vasemmalla seinällä.

- Älä liitä jääkaappia sähkönsäästöjärjestelmiin. Ne voivat vahingoittaa jääkaappia.
- Jos jääkaapissa palaa sininen valo, älä katso sitä optisilla laitteilla.
- Odota käsinohjattavalla jääkaapilla vähintään 5 minuuttia ennen jääkaapin käynnistämistä virtakatkon jälkeen.
- Tämä käyttöopas tulee luovuttaa uudelle omistajalle tuotteen mukana, jos tuote vaihtaa omistajaa.
- Vältä vahingoittamasta virtajohtoa, kun siirät jääkaappia. Johdon taivuttaminen saattaa aiheuttaa tulipalon. Älä sijoita painavia esineitä sähköjohdon päälle. Älä kosketa pistoketta märin käsin, kun liität tuotteen.



- Älä kytke jääkaappia pistorasiaan, jos sähköliitäntä on löysä.
- Vettä ei saa turvallisuuden vuoksi koskaan suihkuttaa suoraan tuotteen sisä- tai ulko-osiin.
- Älä suihkuta lähellä jääkaappia syttyviä aineita, kuten propaanikaasua, sillä se aiheuttaa tulipalo- ja räjähdysvaaran.
- Älä aseta vettä sisältäviä astioita jääkaapin päälle, sillä sellainen voi aiheuttaa sähköiskun tai tulipalon.

- Älä täytä jääkaappia liian suurella elintarvikemäärällä. Jos jääkaappi on ylikuormitettu, se saattaa kaatua ja vahingoittaa sinua, ja rikkoo jääkaapin ovea avattaessa. Älä aseta esineitä jääkaapin päälle, sillä ne saattavat pudota jääkaapin ovea avatessa tai sulkiessa.
- Sellaisia tuotteita, jotka vaativat tarkan lämpötilan säädön (esim. rokotteet, lämpöherkät lääkkeet, tieteellinen materiaali jne.), ei tule säilyttää jääkaapissa.
- Jos jääkaappia ei käytetä pidempään aikaan, se on irrotettava verkkovirrasta. Mahdollinen ongelma sähköjohdossa saattaa aiheuttaa tulipalon.
- Sähköpistokkeen kärki on puhdistettava säännöllisesti. Se voi muuten aiheuttaa tulipalon.
- Sähköpistokkeen kärki on puhdistettava säännöllisesti kuivalla liinalla. Se voi muuten aiheuttaa tulipalon.
- Jääkaappi saattaa siirtyä, jos säädettäviä jalkoja ei ole kiinnitetty oikein lattiaan. Säädettävien jalkojen kiinnittäminen lattiaan oikein voi estää jääkaappia siirtymästä.
- Kun kannat jääkaappia, älä pidä kiinni sen ovenkahvasta. Se saattaa silloin särkyä.
- Kun laite täytyy sijoittaa toisen jääkaapin tai pakastimen viereen, laitteiden välisen etäisyyden tulee olla vähintään 8 cm. Muuten vastakkaiset seinät saattavat härmistyä.

Laitteet, joissa on vesiautomaatti

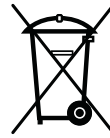
Vesijohdon paineen tulee olla vähintään 1 bar. Vesijohdon paineen tulee olla enintään 8 bar.

- Käytä vain juomavettä.

Lasten turvallisuus

- Jos ovesa on lukko, avain tulee pitää lasten ulottumattomissa.
- Lapsia tulee valvoa, jotta he eivät pääse leikkimään laitteella.

Sähkö- ja elektroniikkaromua koskevan direktiivin (WEEE) vaatimustenmukaisuus ja tuotteen hävittäminen:



Tämä tuote noudattaa Euroopan unionin sähkö- ja elektroniikkaromua koskevaa direktiiviä 2012/19/EY (WEEE-direktiivi). Tässä tuotteessa on sähkö- ja elektroniikkalaitteiden (WEEE) kierrätysymboli.

Tämä laite on valmistettu korkealuokkaisista osista ja materiaaleista, jotka voidaan käyttää uudelleen ja jotka soveltuvat kierrätettäviksi. Älä hävitä tätä tuotetta normaalin kotitalousjätteen mukana sen käyttöön päätyttyä. Vie se sähkö- ja elektroniikkaromun kierrätyspisteeseen. Kysy paikallisilta viranomaisilta lähimmän kierrätyspisteen sijaintipaikka.

RoHS-direktiivin vaatimustenmukaisuus:

Valitsemasi tuote noudattaa Euroopan unionin tiettyjen vaarallisten aineiden käytön rajoittamisesta sähkö- ja elektroniikkalaitteissa koskevaa direktiiviä 2011/65/EY (RoHS-direktiivi). Laite ei sisällä direktiivissä määritettyjä haitallisia ja kiellettyjä materiaaleja.

Pakkaustiedot

Tuotteen pakkausmateriaalit on valmistettukierrätettävistä materiaaleista kansallisten ympäristösäädösten mukaisesti. Älä hävitä pakkausmateriaalia kotitalousjätteen tai muun jätteen mukana. Vie materiaalit pakkausmateriaalien keräyspisteisiin, joiden sijainnit saat tietoon paikallisilta viranomaisilta.

HCA-varoitus

Jos laite on varustettu jäähdytysjärjestelmällä, joka sisältää R600a-kylmäainetta:

Tämä kaasu on syttyvää. Varo siksi vahingoittamasta jäähdytysjärjestelmää ja putkistoa käytön ja kuljetuksen aikana. Pidä laite erossa mahdollisista tulenlähteistä, jotka saattavat sytyttää sen tuleen. Tuuleta huone, johon laite on sijoitettu.

Ohita tämä varoitus, jos laitteen kylmäjärjestelmä sisältää R134a-kylmäainetta.

Laitteessa käytetyn kaasun tyyppi on ilmoitettu jääkaapin sisäpuolella vasemmalla seinällä olevassa tyyppikilvessä.

Älä hävitä laitetta polttamalla.

Energian säästötoimet

- Älä jätä jääkaapin ovea auki pitkäksi aikaa.
- Älä laita lämpimiä ruokia tai juomia jääkaappiin.
- Älä ylikuormita jääkaappia niin, että ilman kierto kaapin sisällä estyy.
- Älä asenna jääkaappia suoraan auringonpaisteeseen tai lähelle lämmönlähteitä, kuten uunit, astianpesukoneet tai lämpöpatterit.
- Pidä huoli, että säilytät elintarvikkeita suljetuissa astioissa.
- Tuotteet joissa on pakastusosasto: voit säilyttää pakastimessa mahdollisimman paljon elintarvikkeita, kun irrotat pakastimen hyllyn tai lokeron. Jääkaapissa ilmoitetut energiankulutusarvot on määritetty maksimitäytöllä irrottamalla jääkaapin hylly tai lokero. Vaaraa ei ole käytettäessä hyllyä tai vetolaatikkoa pakastettavien elintarvikkeiden mukaan.
- Pakastetun ruoan sulattaminen jääkaappiosastossa säästää sekä energiaa että säilyttää ruoan laadun.

3 Asennus

⚠ Valmistaja ei ole vastuussa, jos käyttöoppaassa annettuja ohjeita ei noudateta.

Jääkaapin kuljetuksessa huomioitavat asiat

1. Jääkaappi on aina tyhjennettävä ja puhdistettava ennen kuljetusta.
2. Jääkaapin hyllyt, lisävarusteet, vihanneslokerot jne., on kiinnitettävä paikoilleen kunnolla teipillä niiden suojaamiseksi tärinältä ennen uudelleenpakkausta.
3. Pakkaus on sidottava vahvoilla teipeillä ja naruilla ja pakkaukseen painettuja kuljetusohjeita on noudatettava.

Älä unohda...

Kaikki kierrätetyt materiaalit ovat korvaamaton lähde luonnolle ja kansallisille resursseille.

Jos haluat osallistua pakkausmateriaalien kierrätykseen, saat lisätietoja ympäristöosastoilta tai paikallisilta viranomaisilta.

Ennen käyttöönottoa

Tarkista seuraavat seikat ennen kuin alat käyttää jääkaappia:

1. Ovanko jääkaapin sisäpinnat kuivia ja kiertääkö ilma vapaasti jääkaapin takana?
2. Asenna 2 muovikiilaa kuten kuvassa on esitetty. Muovikiilat varmistavat vaadittavan etäisyyden jääkaapin ja seinän välillä ilman kierron takaamiseksi. (Kuva on vain esimerkki eikä vastaa tuotetta täsmällisesti.)

3. Puhdista jääkaapin sisäpinnat, kuten on suositeltu osassa "Ylläpito ja puhdistus".
4. Liitä jääkaapin virtajohto pistorasiaan. Kun jääkaapin ovi avataan, jääkaapin sisätilan valo syttyy.
5. Kuulet ääntä, kun kompressori käynnistyy. Jäähdytysjärjestelmään suljetut nesteet ja kaasut voivat myös aiheuttaa jonkin verran ääntä silloinkin, kun kompressori ei ole käynnissä. Se on aivan normaalia.
6. Jääkaapin etureunat voivat tuntua lämpimiltä. Tämä on normaalia. Näiden alueiden on suunniteltu olevan lämpimiä kondensaation estämiseksi.

Sähköliitännät

Liitä jääkaappi maadoitettuun pistorasiaan, joka on suojattu riittävän tehokkaalla sulakkeella.

Tärkeää:

- Liitännän on oltava kansallisten säädösten mukainen.
 - Virtakaapelin pistokkeen on oltava helposti saatavilla asennuksen jälkeen.
 - Määritetyn jännitteen on oltava sama kuin sähköverkolla.
 - Liitäntään ei saa käyttää jatkokaapeleita tai haarotusrasioita.
- ⚠ Vahingoittunut virtakaapeli on jätettävä päteväen sähkötekniikon vaihdettavaksi.
- ⚠ Tuotetta ei saa käyttää ennen kuin se on korjattu! Muuten se voi aiheuttaa sähköiskun!

Pakkauksen hävittäminen

Pakkausmateriaali voi olla lapsille vaarallista. Pidä pakkausmateriaali lasten ulottumattomissa tai hävitä se lajittelemalla jätteidenhävitysohjeiden mukaisesti. Älä hävitä pakkausmateriaalia kotitalousjätteen mukana.

Jääkaapin pakkaus on valmistettu kierrätettävistä materiaaleista.


Vanhan jääkaapin hävittäminen

Hävitä vanha jääkaappi aiheuttamatta vahinkoa ympäristölle.

- Voit ottaa yhteyden valtuutettuun jälleenmyyjään tai kunnalliseen jätehuoltokeskukseen saadaksesi ohjeet jääkaapin hävittämisestä.

Ennen kuin hävität jääkaapin, leikkaa virtapistoke irti, ja jos ovesa on lukitus, tee siitä toimintakyvytön, jottei siitä koidu vaaraa lapsille.

Sijoittaminen ja asennus

 Jos oviaukko jääkaapin asennushuoneeseen ei ole tarpeeksi leveä, soita valtuutettuun huoltoon ja pyydä heitä irrottamaan jääkaapin ovet, jolloin se saattaa mahtua ovesta sivuttain.

1. Asenna jääkaappi paikkaan, jossa sitä on helppo käyttää.
2. Pidä jääkaappi etäällä lämmönlähteistä, kosteista paikoista ja suoralta auringonpaisteelta.
3. Jääkaapin ympärillä on oltavaa tilaa kunnolliselle tuuletukselle, jotta se toimisi tehokkaasti. Jos jääkaappi asetetaan seinän syvennykseen, väliä kattoon ja seiniin on jäätävä vähintään

5 cm. Jos lattia on päällystetty matolla, jääkaapin on oltava koholla lattiasta vähintään 2,5 cm.

4. Aseta jääkaappi tasaisella lattiapinnalle tärinän ehkäisemiseksi.

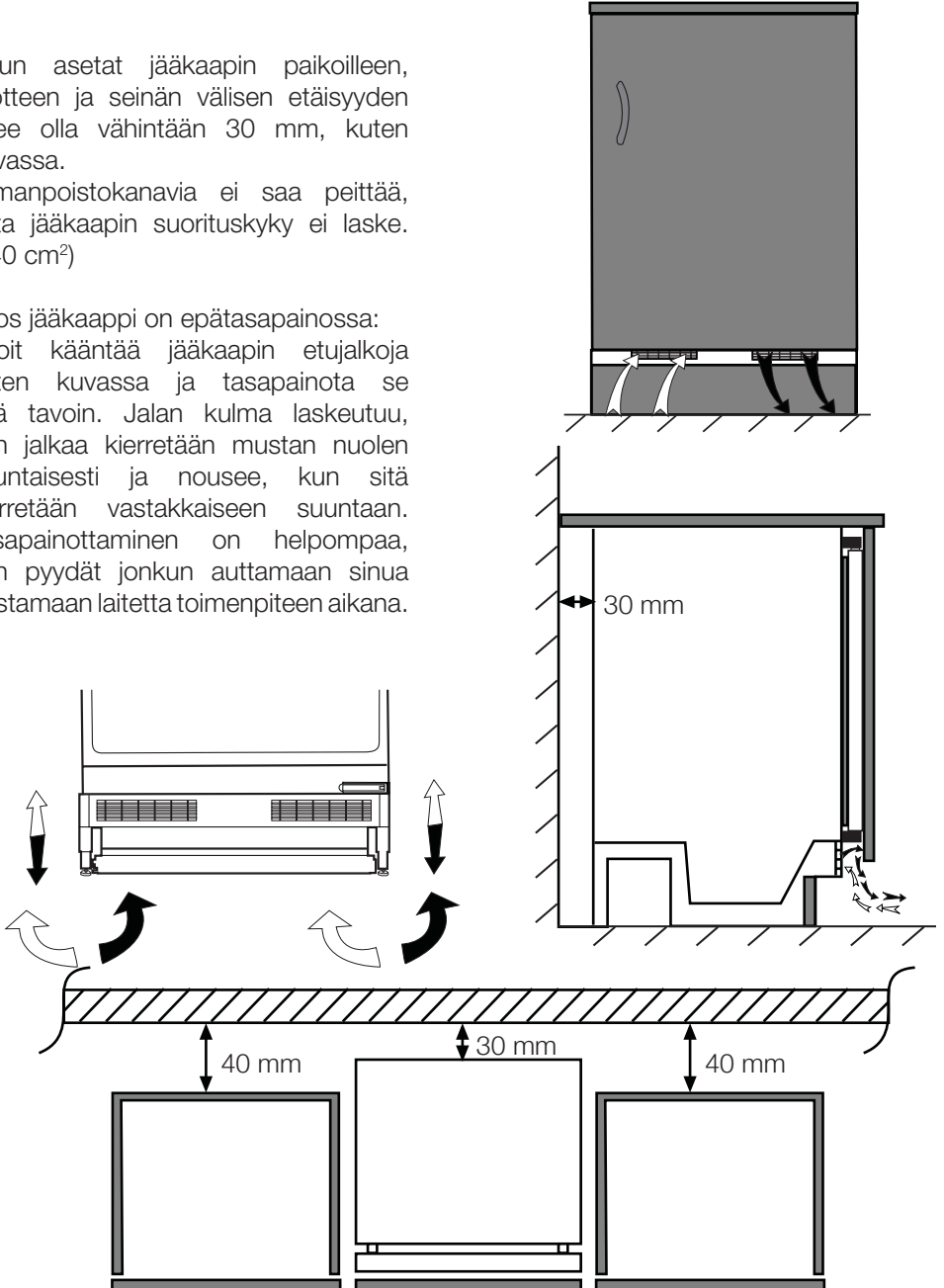
Jääkaapin asettaminen työpöydän alle ja jalkojen säätäminen

Kun asetat jääkaapin paikoilleen, tuotteen ja seinän välisen etäisyyden tulee olla vähintään 30 mm, kuten kuvassa.

Ilmanpoistokanavia ei saa peittää, jotta jääkaapin suorituskyky ei laske. (140 cm²)

Jos jääkaappi on epätasapainossa:

Voit kääntää jääkaapin etujalkoja kuten kuvassa ja tasapainota se sillä tavoin. Jalan kulma laskeutuu, kun jalkaa kierretään mustan nuolen suuntaisesti ja nousee, kun sitä kierretään vastakkaiseen suuntaan. Tasapainottaminen on helpompaa, kun pyydät jonkun auttamaan sinua nostamaan laitetta toimenpiteen aikana.



Lampun vaihtaminen

Ota yhteyttä valtuuttuun huoltoon, kun jääkaapin lamppu on vaihdettava.

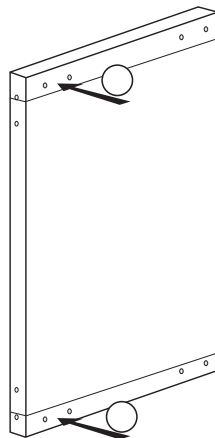
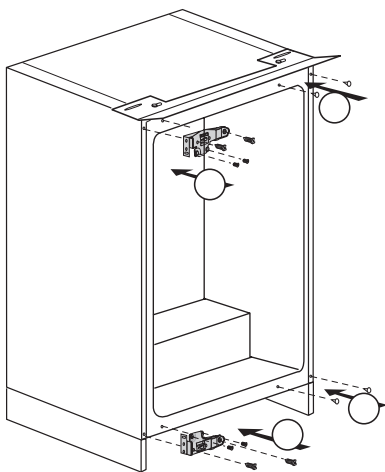
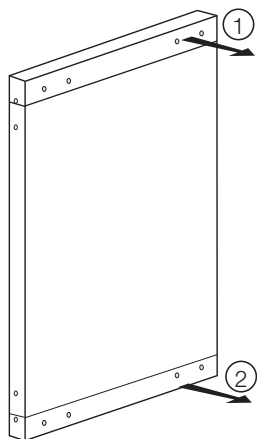
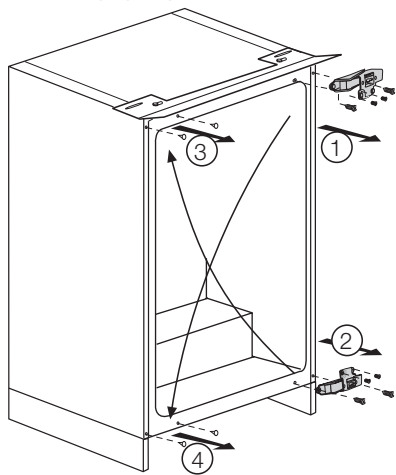
Tämän kodinkoneen valaisin/valaisimet eivät sovellu huoneen valaisemiseen. Valaisimen tarkoitus on auttaa käyttäjää sijoittamaan elintarvikkeet jääkaappiin/pakastimeen on turvallisella ja mukavalla tavalla.

Tässä laitteessa käytettävien lamppujen tulee kestää äärimmäisiä olosuhteita kuten alle 20 °C lämpötiloja.

Tämä tuote on varustettu "G" energialuokan valolähteellä. Tuotteen valolähteen saa suorittaa vain ammattitaitoinen asentaja.

Ovien uudelleen sijoitus

Etene numerojärjestyksessä

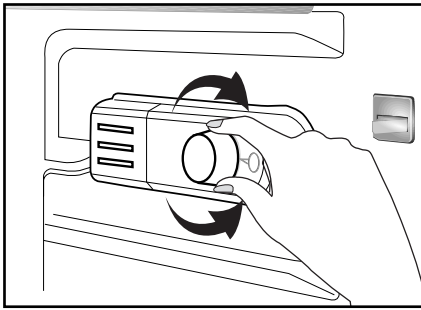


4 Valmistelu

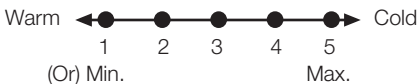
- i** Jääkaappi on asennettava vähintään 30 cm:n etäisyydelle lämmönlähteistä, kuten keittotaso, liesi, keskuslämmitin ja uuni sekä vähintään 5 cm:n etäisyydelle sähköliedestä, eikä sitä saa sijoittaa suoraan auringonpaisteeseen.
- i** Jääkaapin sijoitushuoneen lämpötilan on oltava vähintään 10 °C. Jääkaapin käyttöä kylmemmissä olosuhteissa ei suositella, sillä sen tehokkuus kärsii.
- i** Varmista, että jääkaapin sisäpinta on puhdistettu huolellisesti.
- i** Jos kaksi jääkaappia asennetaan rinnakkain, niiden väliin on jätettävä tilaa vähintään 2 cm.
- i** Kun käytät jääkaappia ensimmäistä kertaa, huomioi seuraavat ohjeet ensimmäisten kuuden tunnin aikana.
 - Ovea ei saa avata jatkuvasti.
 - Laitetta on käytettävä tyhjänä ilman elintarvikkeita.
 - Älä irrota jääkaappia verkkovirrasta. Jos ilmenee itsestäsi riippumaton virtakatkos, katso varoitukset osassa "Suositellut ongelmanratkaisut".
- i** Alkuperäiset pakkaus- ja vaahtomuovimateriaalit kannattaa säilyttää tulevaa kuljetusta tai siirtoa varten.

5 Jääkaapin käyttäminen

Käyttölämpötilan asettaminen



Käyttölämpötilaa säädetään lämpötilasäätimellä.



**1 = Pienin jäähdytysasetus
(Lämpimin asetus)**

**5 = Suurin jäähdytysasetus (Kylmin
asetus)**

(tai)

**Min. = Pienin jäähdytysasetus
(Lämpimin asetus)**

**Max. = Suurin jäähdytysasetus
(Kylmin asetus)**

Jääkaapin keskilämpötilan tulee olla noin +5° C.

Aseta asetus halutun lämpötilan mukaan.

Huomaa, että jäähdytysalueella on eri lämpötiloja.

Kylmin alue on välittömästi vihanneslokero yläpuolella.

Sisälämpötila riippuu myös ympäröivästä lämpötilasta, oven avaamistiheydestä ja laitteessa olevien ruokien määrästä.

Oven jatkuva avaaminen aiheuttaa sisälämpötilan nousun.

Tästä syystä suositellaan, että ovi suljetaan välittömästi käytön jälkeen.

Lämpötilan Ohjaus Ja Säätö

Termostaattivalitsin säätelee käyttölämpötiloja (katso kaavio). Asetuksen voi tehdä välillä 1 ja 5, joka on kylmin asento. Kun laite kytketään ensimmäistä kertaa päälle, tulisi termostaattivalitsin säätää siten, että 24 tunnin kuluessa keskimääräinen jääkaappilämpötila ei ylitä +5 °C (+41 °F).

Suosittelemme, että asetat säädön puoliväliin minimi- ja maksimiarvoja (1 ja 5) ja tarkkaillet saadaksesi halutun lämpötilan eli enemmän maksimisuuntaan (5) halutessasi kylmemmän jääkaappilämpötilan ja päinvastoin. Jääkaapissa jotkin osat voivat olla viileämpiä tai lämpimämpiä (kuten vihannesten säilytyslokero tai jääkaapin yläosa), mikä on täysin normaalia.

Jos ympäristön lämpötila on yli 25 °C (77 °F), erityisesti kesällä, käännä termostaattivalitsinta kohti asetusta 5. Jos ympäristön lämpötila on alle 25 °C (77 °F) käännä termostaattivalitsinta puoliväliin asetusta.

Usein toistuva oven avaaminen

5

aiheuttaa sisälämpötilan nousua, joten sulje ovi mahdollisimman pian käytön jälkeen.

4

Jos jääkaappiosastoon kertyy tilapäisesti jäätä, laske asetukset minimiin (1), ja seuraa samanaikaisesti, että jääkaapin lämpötila on enintään +5 °C (41 °F). Kun kertynyt jää on hävinnyt ja laite jatkaa automaattista sulatusta normaalisti, voit tarvittaessa nostaa termostaattiasetusta.

3

-

2

-

1

-

0

Laitteen pysäyttäminen

Jos termostaatti on varustettu 0-asennolla:

- Laite lopettaa toiminnan, kun käännät termostaattipainikkeen 0 (nolla) -asentoon. Laite ei käynnisty, jollei käännetä termostaattipainiketta 1-asentoon tai johonkin muuhun asentoon.

Jos termostaatti on varustettu min-asennolla:

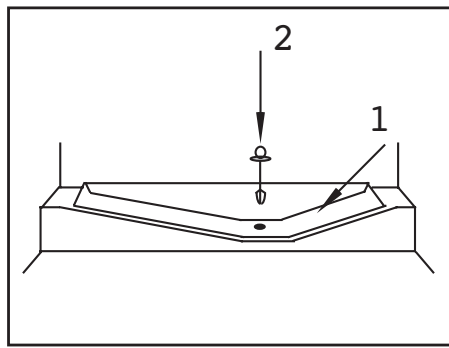
- Pysäytä laite irrottamalla pistoke.

Sulatus

Jääkaapissa (ilman pakastelokeroa) on automaattisulatus. Sulanut vesi poistuu poistoputkea pitkin laitteen keräyskanavan kautta laitteen takana olevaan astiaan (1) ja haihtuu siitä (katso kaavio).

Sulatuksen aikana vesipisaroita voi kertyä jääkaapin takaosaan, minne on piilotettu haihdutin. Joitain pisaroita voi jäädä tiivisteisiin ja jäätymä uudelleen, kun sulatus on valmis. Älä käytä teräväkärkisiä tai teräviä esineitä, kuten veitsiä tai haarukoita, jäätyneiden vesipisaroiden poistamiseen.

Mikäli sulanut vesi ei tyhjene keräyskanavasta, tarkista, ettei ruoanpalaset ole tukkinut poistoputkea. Tyhjennysputki voidaan tyhjentää työntämällä erityistä mukana toimitettua muovimäntää alaspäin tyhjennysputkessa (2).



6 Ylläpito ja puhdistus

- ⚠ Älä koskaan käytä puhdistamiseen bensiiniä, bentseeniä tai vastaavia aineita.
- ⚠ Suosittelemme, että irrotat laitteen verkkovirrasta ennen puhdistusta.
- 🔧 Älä koskaan käytä puhdistamiseen teräviä, hankaavia välineitä, saippuaa, puhdistusainetta, pesuainetta ja vahaa.
- 🔧 Käytä jääkaapin sisätilojen puhdistukseen haaleaa vettä ja pyyhi kuivaksi.
- 🔧 Käytä sisätilojen puhdistukseen liinaa, joka on kostutettu 1 tl ruokasoodaa ja 1/2 litraa vettä sisältävässä liuoksessa ja puristettu kuivaksi, kuivaa lopuksi.
- ⚠ Varmista, ettei vettä pääse lamppukoteloon ja muihin sähkökohteisiin.
- ⚠ Mikäli jääkaappia ei käytetä pitkään aikaan, irrota virtakaapeli pistorasiasta, poista kaikki ruuat, puhdista jääkaappi ja jätä ovi raolleen.
- 🔧 Tarkista oven eristeet säännöllisesti varmistaaksesi, että ne ovat puhtaita ja vapaita ruuasta.
- 🔧 Ovitelineiden irrottamiseksi poista niistä kaikki sisältö ja työnnä sitten ovitelinettä pohjasta ylöspäin.
- 🔧 Älä käytä klooria sisältäviä puhdistusaineita tai vettä tuotteen ulkopintojen ja kromattujen osien puhdistamiseen. Kloori syövyttää sellaisia metallipintoja.

Muoviosien suojele

- 🔧 Älä laita nestemäistä öljyä tai öljyssä keitettyjä elintarvikkeita jääkaappiin avoimissa astioissa, sillä ne vahingoittavat jääkaapin muovipintoja. Jos öljyä vuotaa tai tarttuu muovipinnoille, puhdista ja huuhtele kohta heti lämpimällä vedellä.

7 Suositellut ongelmanratkaisut

Tarkista tämä luettelo, ennen kuin soitat huoltoon. Se voi säästää aikaa ja rahaa. Tämä luettelo sisältää useita valituksia, jotka eivät johdu virheellisestä työstä tai käytetystä materiaalista. Joitain tässä kuvatuista ominaisuuksista ei ehkä ole laitteessasi.

Jääkaappi ei käy
<ul style="list-style-type: none">• Onko jääkaapin virtajohto kunnolla kiinni pistorasiassa? Aseta pistoke seinäpistorasiaan.• Onko jääkaapin pistorasian sulake tai pääsulake palanut? Tarkista sulake.
Kondensaatiota jääkaappiosaston sivuseinässä.
<ul style="list-style-type: none">• Hyvin kylmä ympäristö. Oven jatkuva avaaminen ja sulkeminen. Hyvin kostea ympäristö. Nestepitoisten ruokien säilytys avoimessa astiassa. Oven jättäminen raolleen.• Termostaatin kytkeminen kylmemmälle.• Oven avoinnaoloajan lyhentäminen tai käyttämällä sitä harvemmin.• Avoimissa astioissa säilytettyjen ruokien peittäminen sopivalla materiaalilla.• Pyyhi kondensoitunut vesi kuivalla liinalla ja tarkista tuleeko sitä lisää.
Kompressor ei käy
<ul style="list-style-type: none">• Kompressorin lämpövastus työntyy ulos äkillisen virtakatkoksen sattuessa tai kun virta sammuu ja syttyy uudelleen, kun jääkaapin jäähdytysjärjestelmän jäähdytysaineenpaine ei ole vielä tasapainossa. Jääkaappi käynnistyy noin 6 minuutin kuluttua. Soita huoltoon, jos jääkaappi ei käynnisty tässä ajassa.• Jääkaapin sulatusjakso on käynnissä. Tämä on normaalia täysautomaattisesti itsesulattavassa jääkaapissa. Sulatuskierto tapahtuu tietyin väliajoin.• Jääkaappia ei ole kytketty pistorasiaan. Varmista, että pistoke on asetettu tiukasti seinäpistorasiaan.• Onko lämpötila-asetukset tehty oikein?• Sähkökatkos. Soita sähköntoimittajalle.

Jääkaappi käy alituisen tai pitkän ajan.

- Uusi jääkaappisi voi olla leveämpi kuin edellinen. Tämä on aivan normaalia. Suuret jääkaapit käyvät kauemmin.
- Huonelämpötila voi olla liian korkea. Tämä on aivan normaalia.
- Jääkaappi on voitu kytkeä päälle äskettäin tai siihen on säilötty äskettäin ruokaa. Jääkaapin jäähtyminen oikeaan lämpötilaan voi kestää muutamia tunteja kauemmin.
- Suuri määrä ruokaa on voitu säilöä jääkaappiin äskettäin. Lämmin ruoka aiheuttaa jääkaapin käymisen pitempään, kunnes se saavuttaa turvallisen säilytyslämpötilan.
- Ovet on voitu avata äskettäin tai jätetty raolleen pitkäksi aikaa. Jääkaappiin päässyt lämmin ilma aiheuttaa jääkaapin käymisen pitemmän aikaa. Avaa ovia harvemmin.
- Pakastin- tai jääkaappiosaston ovi on voitu jättää raolleen. Tarkista onko ovet suljettu tiukasti.

Jääkaappi käy alituisen tai pitkän ajan.

- Jääkaappi on säädetty hyvin alhaiselle lämpötilalle. Säädä jääkaapin lämpötila lämpimämmäksi ja odota, kunnes haluttu lämpötila on saavutettu.
- Jääkaapin tai pakastimen oven tiiviste voi olla likainen, kulunut, rikkoutunut tai huonosti paikallaan. Puhdista tai vaihda tiiviste. Vahingoittunut, rikkoutunut tiiviste aiheuttaa jääkaapin käymisen pitempiä aikoja nykyisen lämpötilan ylläpitämiseksi.
- Pakastimen lämpötila on hyvin alhainen, kun jääkaapin lämpötila on sopiva.
- Pakastin on säädetty hyvin alhaiselle lämpötilalle. Säädä pakastimen lämpötila lämpimämmäksi ja tarkista.

Jääkaapin lämpötila on hyvin alhainen, kun pakastimen lämpötila on sopiva.

- Jääkaappi on säädetty hyvin alhaiselle lämpötilalle. Säädä jääkaapin lämpötila lämpimämmäksi ja tarkista.

Jääkaappiosaston vetolaatikoissa säilytetty ruoka jäätyy.

- Jääkaappi on säädetty hyvin alhaiselle lämpötilalle. Säädä jääkaapin lämpötila lämpimämmäksi ja tarkista.

Jääkaapin tai pakastimen lämpötila on hyvin korkea.
<ul style="list-style-type: none"> Jääkaappi on säädetty hyvin korkealle lämpötilalle. Jääkaapin säädöt vaikuttavat pakastimen lämpötilaan. Muuta jääkaapin tai pakastimen lämpötilaa, kunnes jääkaappi tai pakastin saavuttaa riittävän tason. Ovet on voitu avata äskettäin tai jätetty raolleen pitkäksi aikaa. Lämmintä ilmaa tunkeutuu jääkaappiin tai pakastimeen, kun ovet avataan. Avaa ovia harvemmin. Ovi on voitu jättää raolleen. Sulje ovi kokonaan. Suuri määrä ruokaa on voitu säilöä jääkaappiin äskettäin. Odota, kunnes jääkaappi tai pakastin saavuttaa halutun lämpötilan. Jääkaapin virtajohto on voitu liittää pistorasiaan äskettäin. Jääkaapin jäähtyminen kokonaan kestää kauemmin sen koon vuoksi.
Käyntiäni voimistuu, kun jääkaappi käy.
<ul style="list-style-type: none"> Jääkaapin käyttöteho saattaa muuttua ympäristön lämpötilan muutosten mukaan. Se on normaalia eikä ole vika.
Tärinä tai käyntiäni.
<ul style="list-style-type: none"> Lattia ei ole tasainen tai se on heikko. Jääkaappi huojuu, kun sitä siirretään hitaasti. Varmista, että lattia on tasainen, luja, ja että se kestää jääkaapin painon. Melu saattaa johtua jääkaapin laitetuista kohteista. Tällaiset kohteet tulisi poistaa jääkaapin yläosasta.
Esiintyy nesteiden vuotamisen tai suihkuamisen kaltaisia ääniä.
<ul style="list-style-type: none"> Neste- ja kaasuvuotoja ilmenee jääkaapin käyttöperiaatteiden mukaisesti. Se on normaalia eikä ole vika.
Kuuluu tuulen huminan kaltaista ääntä
<ul style="list-style-type: none"> Ilma-aktivaattoreita (tuulettimia) käytetään jääkaapin jäähdyttämiseen tehokkaasti. Se on normaalia eikä ole vika. Jääkaapissa oleva vesi/kondensaatio/jää.
Kondensaatio jääkaapin sisäseinissä.
<ul style="list-style-type: none"> Kuuma ja kostea sää lisää jäätymistä ja kondensaatiota. Se on normaalia eikä ole vika. Ovet ovat raollaan. Varmista, että ovet on suljettu kokonaan. Ovia on voitu avata jatkuvasti tai ne on voitu jättää auki pitkäksi aikaa. Avaa ovea harvemmin. Jääkaapin ulkopinnoilla oleva vesi/kondensaatio/jää.

Kosteutta esiintyy jääkaapin ulkopinnoilla tai ovien välissä.
<ul style="list-style-type: none"> Sää voi olla kostea. Tämä on aivan normaalia kostealla säällä. Kun kosteutta on vähemmän, kondensaatio häviää.
Paha haju jääkaapin sisällä.
<ul style="list-style-type: none"> Jääkaapin sisäpuoli on puhdistettava. Puhdista jääkaapin sisäpuoli sienellä, lämpimällä vedellä tai hiilihapollisella vedellä. Jotkut astiat tai pakkausmateriaalit voivat olla hajun aiheuttajia. Käytä erilaista säilytysastiaa tai erimerkkistä pakkausmateriaalia.
Ovi/ovet eivät mene kiinni.
<ul style="list-style-type: none"> Elintarvikepakkaukset voivat estää oven sulkeutumisen. Poista pakkaukset, jotka ovat oven esteenä. Jääkaappi ei todennäköisesti ole aivan pystysuorassa lattialla ja se voi keinua hieman siirrettynä. Säädä nostoruuveja. Lattia ei ole tasainen tai kestävä. Varmista, että lattia on tasainen, ja että se kestää jääkaapin painon.
Lokerot ovat juuttuneet.
<ul style="list-style-type: none"> Elintarvikkeita voi olla kosketuksissa lokeron kattoon. Järjestä ruuat uudelleen vetolaatikossa.

Обязательно прочтите данное руководство!

Уважаемый покупатель!

Надеемся, что наше изделие, изготовленное на современном оборудовании, и прошедшее тщательный контроль качества, будет надежно служить вам.




Поэтому, прежде чем пользоваться прибором, рекомендуем внимательно изучить данное руководство и всегда держать его под рукой в качестве справочника.




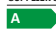

Данное руководство

- Поможет вам быстро освоить этот прибор и безопасно им пользоваться.
 - Прежде чем устанавливать прибор и пользоваться им, прочтите это руководство.
 - Соблюдайте инструкции, в особенности, правила техники безопасности.
 - Храните это руководство в легкодоступном месте, так как оно может понадобиться вам в будущем.
 - Ознакомьтесь со всеми остальными документами, которые прилагаются к прибору.
- Учтите, что данное руководство по эксплуатации может применяться и для других моделей.

Условные обозначения

В данном руководстве по эксплуатации используются следующие условные обозначения:

-  Важная информация или полезные советы по эксплуатации.
-  Предупреждение об опасности для жизни и имущества.
-  Предупреждение об опасном электрическом напряжении.

 ИНФОРМАЦИЯ	
	
<small>SUPPLIER'S NAME</small> 	<small>MODEL IDENTIFIER (*)</small> 
<small>Для доступа к информации о модели в базе данных воспользуйтесь следующим веб-сайтом и произведите поиск по идентификатору модели (*), указанному на маркировке энергоэффективности. https://eprel.ec.europa.eu/</small>	

1 Описание холодильника 3

Целевое использование 4
Безопасность детей, уязвимых лиц и домашних животных 4
Электробезопасность 5
Безопасность при обращении 6
Меры безопасности во время монтажа 6
Эксплуатационная безопасность 8
Безопасность при выполнении технического обслуживания и чистки HomeWhiz 10
Освещение 10

3 Установка 11

Правила транспортировки холодильника 11
Подготовка к эксплуатации 11
Утилизация упаковки 12
Утилизация старого холодильника 12
Размещение и установка 12
Установка холодильника под стойкой и регулировка ножек 13
Замена лампочки 14
Перевешивание дверей 15

4 Подготовка 16

5 Пользование холодильником 17

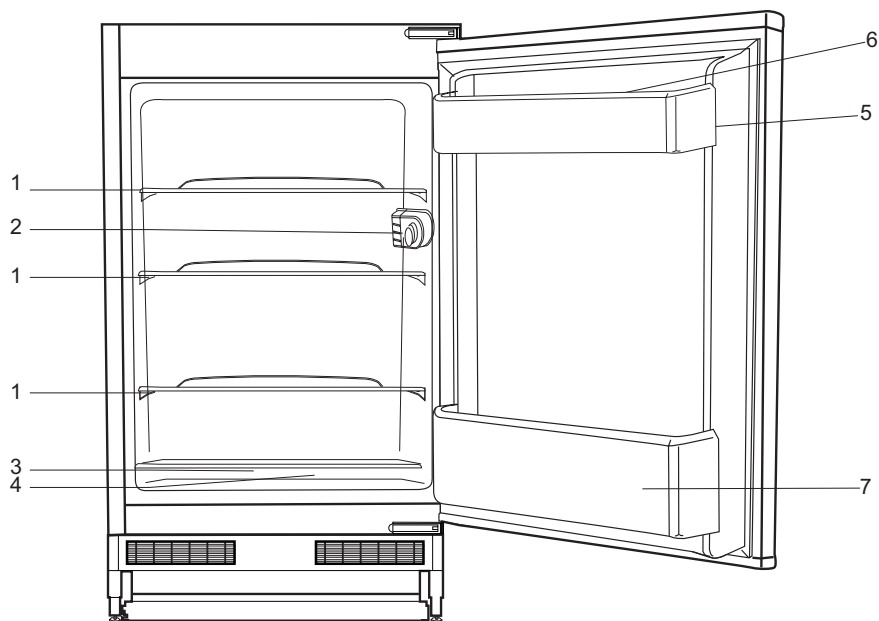
Установка рабочей температуры 17
Рабочая температура регулируется соответствующим регулятором. 17
Пользование внутренними отделениями 17
Охлаждение 17
Размораживание 18

6 Обслуживание и чистка 19

Защита пластмассовых поверхностей 19

7 Рекомендации по устранению неисправностей 20

1 Описание холодильника







1. Полки корпуса
2. Корпус термостата лампы внутреннего освещения
3. Выдвижная крышка контейнера
4. Контейнер для хранения продуктов
5. Отделение для яиц
6. Полка в дверце
7. Полка для бутылок

i Данные руководства являются приблизительными и могут не полностью соответствовать приобретенной продукции. Если в ней отсутствуют те или иные указанные в руководстве компоненты, они могут встречаться в других моделях.

2 Инструкции по технике безопасности

Этот раздел содержит инструкции по технике безопасности, необходимые для предотвращения риска, получения травмы или материального ущерба.

Наша компания не несет ответственности за несчастные случаи, связанные с несоблюдением настоящих инструкций.

	ПРЕДОСТЕРЕЖЕНИЕ: Установка и ремонтные работы должны всегда выполняться авторизованным сервисным центром.
	ПРЕДОСТЕРЕЖЕНИЕ: Используйте только оригинальные запчасти и аксессуары.
	ПРЕДОСТЕРЕЖЕНИЕ: Не производите ремонт или замену любого компонента изделия, если это отдельно не оговорено в руководстве пользователя.
	ПРЕДОСТЕРЕЖЕНИЕ: Не модифицируйте изделие.

Целевое использование

- Данное изделие не подходит для коммерческого использования и не должен применяться не по назначению.

- Данное изделие предназначено для эксплуатации в закрытых помещениях в бытовых или аналогичных условиях. Например;

- в кухнях магазинов, офисов и других рабочих помещений, предназначенных для сотрудников,
- в жилых домах на фермах,
- в помещениях отелей, мотелей или других объектов отдыха, используемых клиентами,
- в общежитиях или аналогичных условиях,
- в местах общественного питания и похожих заведениях, не связанных с розничной торговлей.

- Данное изделие не должно использоваться в открытых или закрытых условиях на открытом воздухе, таких как лоджии, балконы или террасы. Воздействие на изделие дождя, снега, солнечного света и ветра вызывает опасность удара электрическим током.

Безопасность детей, уязвимых лиц и домашних животных

- Данное изделие может использоваться детьми в возрасте 8 лет и старше, а также лицами с ограниченными физическими, сенсорными

- или умственными возможностями или с отсутствием опыта и знаний под надзором или в случае инструктирования их по использованию изделия безопасным способом и понимания таких лиц существующей опасности.
- Детям от 3 до 8 лет разрешается ставить еду в холодильник и взять еду из холодильника.
 - Электроприборы представляют опасность для детей. Детям и домашним животным не разрешается играть с изделием, забираться на него или проникать внутрь изделия.
 - Чистка и обслуживание изделия не должны осуществляться детьми, если они не находятся под присмотром.
 - Храните упаковочные материалы в недоступном для детей месте. Риск получения травмы или удушения.
 - Перед утилизацией старых изделий, которые больше не будут использоваться:
- Отсоедините шнур питания от розетки.
 - Отрежьте шнур питания и выньте его из прибора вместе с вилкой.
 - Не снимайте полки и выдвижные ящики с изделия, чтобы дети не могли попасть внутрь прибора.
 - Снимите дверцы.
 - Храните изделия так, чтобы оно не опрокинулось.
 - Не позволяйте детям играть со старым изделием.
 - Не утилизируйте изделие, бросая его в огонь. Опасность возникновения взрыва.
 - Если в дверце изделия есть замок, храните ключ в недоступном для детей месте.

Электробезопасность

- Перед выполнением установки, технического обслуживания, очистки и ремонта отключайте изделие от сети электропитания.
- Если шнур питания поврежден, замена шнура питания должна быть выполнена только

авторизованным сервисом, чтобы избежать любой опасности.

- Если шнур питания поврежден, замена шнура питания должна быть выполнена только авторизованным сервисом, чтобы избежать любой опасности.
- Не засовывайте шнур питания под изделие или в заднюю часть изделия. Не помещайте на шнур питания тяжелые предметы. Не перегибайте, не пережимайте шнур питания и не допускайте его соприкосновения с какими-либо источниками тепла.
- Не используйте удлинитель, мульти-штекер или переходник при эксплуатации изделия.
- Переносные мульти-штекеры или источники питания могут перегреться и стать причиной возникновения пожара. Поэтому не используйте мульти-штекер позади или вблизи изделия.
- Доступ к штепсельной вилке не должен быть затруднен. Если

это невозможно, на электроустановке должен быть предусмотрен механизм, отвечающий требованиям законодательства в области электропитания и отсоединяющий все клеммы от сети (предохранитель, выключатель, главный выключатель и т. д.).

- Не касайтесь вилки мокрыми руками.
- При отключении прибора от сети не держитесь за шнур питания, а за вилку.

Безопасность при обращении

- Данное изделия является тяжелым, не поднимайте его самостоятельно.
- Не держите изделие за дверь при перемещении изделия.
- Будьте осторожны, чтобы не повредить систему охлаждения и трубы при перемещении изделия. Если трубы повреждены, не эксплуатируйте изделие и обратитесь в авторизованный сервис.

Меры безопасности во время монтажа

- Для установки устройства обратитесь в авторизованную сервисную службу. Для подготовки устройства к установке ознакомьтесь с руководством по эксплуатации и убедитесь, что к месту установки подведены необходимые

коммуникации – электричество и вода. При отсутствии таковых обратитесь к электрику и водопроводчику для подведения необходимых коммуникаций.

- В противном случае возможно поражение электрическим током, возгорание, возникновение проблем с изделием или получение травмы.
- Проверьте изделие на предмет повреждений перед его установкой. Не устанавливайте изделие, если оно повреждено.
- Положите изделие на ровную и твердую поверхность и отрегулируйте с помощью регулируемых ножек. В противном случае холодильник может опрокинуться и стать причиной получения травм.
- Следует установить изделие в сухом и проветриваемом помещении. Не кладите изделие на ковры, коврики или аналогичные напольные покрытия. Это может привести к возникновению пожара из-за недостаточной вентиляции!
- Не блокируйте и не закрывайте вентиляционные отверстия. В противном случае энергопотребление может быть увеличено и может иметь место повреждение вашего изделия.
- Не подключайте изделие к системам питания, таким как источники питания, работающие на солнечной энергии. В противном случае возможно повреждение изделия в результате резких перепадов напряжения!
- Чем больше хладагента содержится в холодильнике, тем больше должно быть помещение его установки. В небольших помещениях в случае утечки газа из системы охлаждения

может образоваться горючая газозвудушная смесь. Для каждых 8 грамм хладагента требуется не менее 1 м³ объема. Количество хладагента в вашем изделии указано на заводской табличке.

- Место установки изделия не должно подвергаться воздействию прямых солнечных лучей и не должно находиться вблизи источников тепла, таких как печи, радиаторы и т. д.
- Если установка изделия вблизи источника тепла является единственным доступным вариантом, вы должны использовать подходящую изоляционную плиту, и минимальное расстояние до источника тепла должно быть таким, как указано ниже.
 - на расстоянии не менее 30 см от источников тепла, таких как плиты, обогреватели, обогреватели и т. д.,
 - и не менее 5 см от электрических духовок.
- Ваше имеет класс защиты I.
- Подключите изделие к заземленной розетке, соответствующей значениям напряжения, тока и частоты, указанным на заводской табличке. Розетка должна быть снабжена предохранителем от 10 до 16 А.
- Наша компания не несет ответственности за ущерб, возникший в результате эксплуатации изделия без обеспечения заземления и выполнения электрических подключений в соответствии с местными или национальными правилами.
- При установке кабель питания устройства должен быть отключен от электросети. В противном случае возможно поражение электрическим током и получение травмы!

- Не подключайте устройство к ослабленным, сломанным, грязным, жирным розеткам или розеткам, которые вышли из гнезда или розеткам с риском попадания воды.
- Разместите шнур питания и шланги (если имеются) изделия так, чтобы они не вызывали опасность споткнуться.
- Попадание влаги в токоведущие части или шнур питания может вызвать короткое замыкание. Поэтому, не эксплуатируйте изделие во влажной среде или в местах, где вода может разбрызгиваться (например, в гараже, прачечной и т. д.). Если холодильник мокрый, отключите его от сети и обратитесь в авторизованный сервис.
- Не подключайте холодильник к энергосберегающим устройствам. Такие системы вредны для изделия.

Эксплуатационная безопасность

- Не используйте химические растворители на изделии. Эти материалы содержат опасность взрыва.
- В случае выхода из строя изделия отключите его от сети и не эксплуатируйте его, пока оно не будет отремонтировано авторизованным сервисом. Опасность поражения электрическим током!
- Не размещайте источники пламени (например, свечи, сигареты и т. д.) на изделии или вблизи него.
- Не становитесь на изделие. Опасность падения и получения травмы!
- Не наносите повреждения трубам системы охлаждения, используя

острые и прокалывающие инструменты. Хладагент, который расплывается в случае прокалывания газовых труб, удлинителей труб или покрытий на верхней поверхности, может вызвать раздражение кожи и травмы глаз.

- Не размещайте и не эксплуатируйте электрические приборы внутри холодильника / морозильника, если это не рекомендовано производителем.
- Будьте осторожны, чтобы части рук или тела не попали в движущиеся части внутри изделия. Будьте осторожны, чтобы избежать защемления пальцев между холодильником и дверцей. Если дети в непосредственной близости, соблюдайте осторожность при открытии или закрытии дверцы.
- Не ешьте мороженое, кубики льда или замороженные продукты, как только вы вытащите их из морозильника. Опасность обморожения!
- Не прикасайтесь к внутренним стенкам, металлическим частям морозильника и пище, хранящейся внутри холодильника, мокрыми руками. Опасность обморожения!
- Не кладите банки с газировкой или банки с жидкостями, которые могут замерзнуть, в морозильную камеру. Банки или бутылки могут взорваться. Опасность получения травмы и материального ущерба!
- Не используйте и не размещайте материалы, чувствительные к температуре, такие как легковоспламеняющиеся аэрозоли, легковоспламеняющиеся предметы,

- сухой лед или другие химические вещества вблизи холодильника. Опасность возгорания и взрыва!
- Не храните взрывоопасные вещества, такие как аэрозольные баллоны с легковоспламеняющимся материалом в изделии.
 - Не ставьте банки с жидкостями на изделие. Брызги воды на электрические части могут привести к поражению электрическим током или возникновению пожара.
 - Данное изделие не предназначено для хранения и охлаждения лекарств, плазмы крови, лабораторных препаратов или аналогичных материалов и продуктов, подпадающих под действие Директивы о медицинских изделиях.
 - Если изделие используется не по назначению, это может привести к повреждению или порче продуктов, хранящихся внутри.
 - Если ваш холодильник оснащен синей лампочкой, не смотрите на этот свет с помощью оптических приборов. Не смотрите прямо на ультрафиолетовый светодиод в течение длительного времени. Ультрафиолетовые лучи могут вызвать напряжение глаз.
 - Не кладите в изделие пищевые продукты в количестве, превышающем вместимость изделия. Травмы или повреждения могут иметь место, если содержимое холодильника упадет при открытии дверцы. Подобные проблемы могут возникать, когда предметы помещаются поверх изделия.
 - Удалите воду или лед, которые могли упасть на пол, чтобы предотвратить травмы.
 - Измените расположение стоек / подставок для бутылок на дверце холодильника только тогда, когда они пустые. Опасность получения травмы!
 - Не кладите на изделие предметы, которые могут упасть / опрокинуться. Такие предметы могут упасть при открытии или закрытии дверцы и стать причиной получения травм и / или материального ущерба.
 - Не ударяйте и не оказывайте чрезмерное давление на стеклянные поверхности. Разбитое стекло может привести к получению травм и / или материальному ущербу.
 - Система охлаждения изделия содержит хладагент R600a. Тип хладагента, используемый в изделии, указан на заводской табличке. Этот газ легковоспламеняем. Поэтому, будьте осторожны, чтобы не повредить систему охлаждения и трубы при перемещении изделия. В случае повреждения труб;
 - - не трогайте изделие или шнур питания,
 - - Храните изделие вдали от потенциальных источников огня, которые могут вызвать возгорание изделия.
 - - проветривайте помещение, где находится продукт. Не используйте вентилятор.
 - - Обратитесь в авторизованный сервис.
 - Если изделие повреждено и вы обнаружите утечку газа, держитесь подальше от газа. Газ может вызвать обморожение при попадании на кожу.

Для изделий с водоохладителем / льдогенератором

- Используйте только питьевую воду. Не заполняйте емкость для воды фруктовыми соками, молоком, газированными напитками, алкогольными напитками или любыми другими жидкостями, несовместимыми для использования в водоохладителе. Это может вызвать риск для вашего здоровья и безопасности.
- Не позволяйте детям играть с водоохладителем или льдогенератором, чтобы предотвратить несчастные случаи и получение травмы.
- Не вставляйте пальцы или другие предметы внутрь отверстия водоохладителя воды, канала для льда или внутрь сосуда льдогенератора. Это может привести к получению травмы или материальному ущербу.

Безопасность при выполнении технического обслуживания и чистки

- Не тяните за дверную ручку при перемещении изделия в целях очистки. Ручка может стать причиной получения травм, если ее сильно потянуть.
- Не чистите изделие разбрызгивая воду или наливая воду на изделие и внутрь изделия. Опасность поражения электрическим током или возникновения пожара.
- Не используйте острые или абразивные инструменты для очистки изделия. Не используйте такие материалы, как бытовые чистящие

средства, моющие средства, газ, бензин, спирт, воск и т. д.

- Используйте только моющие и чистящие средства, которые не наносят вреда пище в изделии.
- Не используйте пар или материалы для очистки паром для очистки изделия и расплавления льда внутри изделия. Пар соприкасается с токоведущими зонами в вашем холодильнике и вызывает короткое замыкание или поражение электрическим током!
- Следите за тем, чтобы вода не попадала в электронные цепи или систему освещения изделия.
- Используйте чистую сухую ткань, чтобы вытереть пыль или посторонние предметы на кончиках заглушек. Не используйте влажную ткань для очистки штепсельной вилки. Это может привести к возникновению пожара или поражению электрическим током.

HomeWhiz

(Дополнительный)

- Следуйте инструкциям по безопасности, даже если вы находитесь вдали от изделия во время работы с приложением HomeWhiz. Также обратите внимание на предупреждения, приведенные в приложении.

Освещение

- Обратитесь в авторизованный сервисный центр, если вам необходимо заменить светодиод / лампу, используемую для освещения.

3 Установка

- 1** Учтите, что производитель не несет ответственности в случае несоблюдения указаний, приведенных в данном руководстве.

Правила транспортировки холодильника

1. Перед транспортировкой следует вынуть из холодильника все продукты и вымыть его.
2. Перед упаковкой следует надежно закрепить все полки, оборудование, контейнеры для овощей и фруктов и т.п. при помощи клейкой ленты, чтобы предохранить их от тряски.
3. Холодильник следует обвязать лентами из плотного материала и прочными веревками. При транспортировке следует придерживаться правил, напечатанных на упаковке.

Не забывайте о том, что...

Вторичное использование материалов очень важно для сохранения природы и наших национальных богатств.

Если вы решите сдать упаковочные материалы на переработку, обратитесь за подробной информацией в организации по охране окружающей среды или в местные органы власти.

Подготовка к эксплуатации

Перед началом эксплуатации холодильника выполните следующие действия.

1. Убедитесь, что внутри холодильника сухо, и воздух может свободно циркулировать позади холодильника.
2. Можно установить два пластиковых упора, как показано на рисунке. Пластиковые упоры обеспечат необходимое расстояние

между холодильником и стеной для надлежащей циркуляции воздуха. (Изображение на рисунке предназначено только для иллюстрации и не совпадает полностью с вашим изделием.)

3. Выполните чистку холодильника в соответствии с рекомендациями, приведенными в разделе "Обслуживание и чистка".
4. Подключите холодильник к электрической сети. При открытии двери холодильника включается лампочка внутреннего освещения.
5. При запуске компрессора будет слышен шум. Жидкость и газы, находящиеся внутри герметичной системы охлаждения, также могут создавать шум, независимо от того, работает компрессор или нет, что является вполне нормальным явлением.
6. Передние кромки холодильника могут казаться теплыми на ощупь. Это нормально. Эти области подогреваются, чтобы предупредить конденсацию.

Подключение к электросети Подсоедините холодильник к заземленной розетке с предохранителем соответствующего номинала.

- Важное замечание
- Подключение следует выполнять в соответствии с местными нормами и правилами.
- Место подключения шнура питания к розетке должно быть легкодоступным.
- Напряжение в сети должно соответствовать данным, указанным в

характеристиках холодильника.

- Запрещается использовать при установке удлинители и многоместные розетки.
- ⚠ Замену поврежденного шнура питания должен выполнять квалифицированный электрик.
- ⚠ Запрещается пользоваться неисправным электроприбором! Это может привести к поражению электрическим током.

Утилизация упаковки

Упаковочные материалы могут быть опасны для детей. Храните упаковочные материалы в недоступном для детей месте или выбросьте их, рассортировав в соответствии с правилами утилизации отходов. Не выбрасывайте их вместе с обычными бытовыми отходами.

Упаковка холодильника изготовлена из материалов, подлежащих вторичной переработке.

Утилизация старого холодильника

Утилизация старого прибора должна выполняться экологически безопасным способом.

- Сведения об утилизации прибора можно получить у официального дилера или в пункте сбора отходов по месту жительства.

Перед утилизацией холодильника следует отрезать шнур питания и сломать замки на дверцах (при наличии), чтобы предотвратить опасные ситуации для детей.

Размещение и установка

⚠ Если дверь помещения, в котором будет установлен холодильник, недостаточно широка, можно снять дверцы холодильника и внести его в дверь боком. Для того чтобы снять дверцы, обратитесь в фирменный сервисный центр.

1. Устанавливайте холодильник в удобном для использования месте.
2. Холодильник следует устанавливать в местах, защищенных от прямых солнечных лучей, вдали от источников тепла и повышенной влажности.
3. Для более эффективной работы необходимо обеспечить хорошую вентиляцию вокруг холодильника.
4. Если холодильник устанавливается в нише, минимальное расстояние до потолка и стен должно быть не менее 5 см. При установке на ковровое покрытие следует приподнять холодильник на 2.5 см от пола.
5. Холодильник следует устанавливать на ровную поверхность, иначе может возникать вибрация.

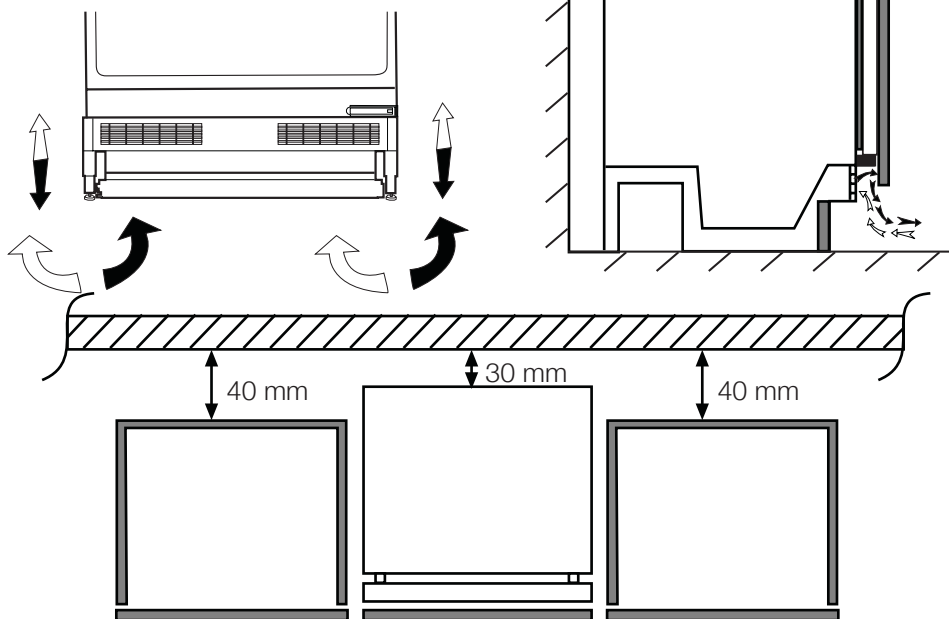
Установка холодильника под стойкой и регулировка ножек

При установке холодильника расстояние между стеной и изделием не должно быть меньше 30 см, как показано на рисунке.

Воздуховод не должен быть закупорен во избежание снижения производительности холодильника. (140 см²)

Если холодильник расположен неустойчиво:

холодильник можно сбалансировать, поворачивая передние ножки, как показано на рисунке. Угол холодильника, в котором находится ножка, будет опускаться, если поворачивать по направлению черной стрелки, и подниматься, если поворачивать в обратном направлении. Если кто-то может приподнять холодильник, это облегчит процесс.



Замена лампочки

Для замены лампочки освещения холодильника обратитесь в авторизированный сервисный центр.

Лампа (-ы), используемая (-ые) в данном изделии, не подходит (-ят) для бытового освещения помещений. Данная лампа предназначена для освещения при размещении пользователем продуктов питания в холодильной/морозильной камере, обеспечивая безопасность и удобство.

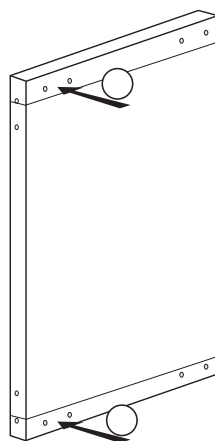
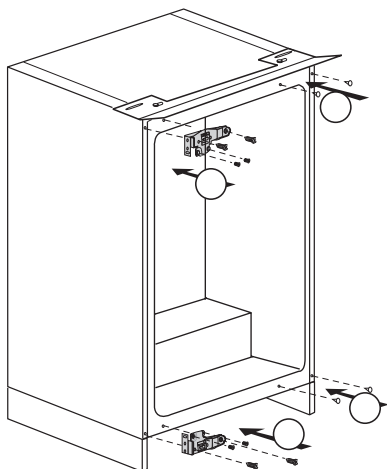
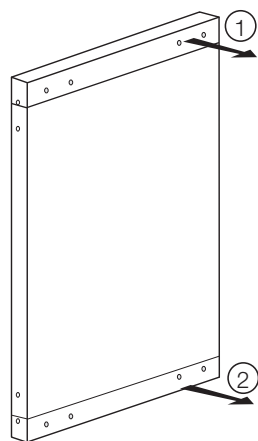
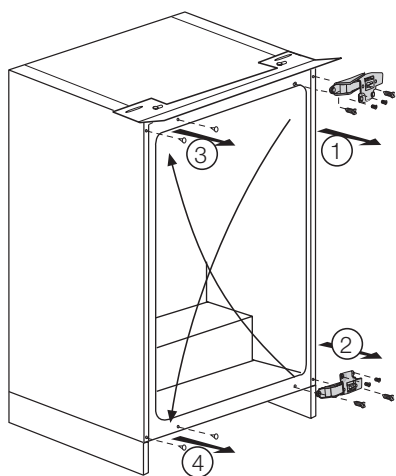
Лампы, используемые в этом приборе, должны выдерживать экстремальные физические условия, например, температуру ниже 20 °С.

Этот продукт оснащен источником освещения энергетического класса "G".

Источник освещения в этом продукте должны заменять только профессиональные мастера.

Перевешивание дверей

Выполните описанные действия в указанной последовательности.

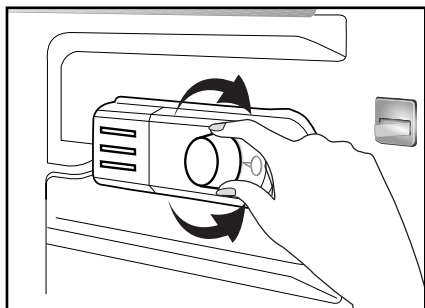


4 Подготовка

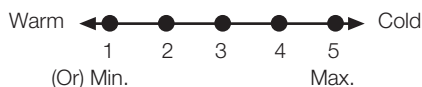
- i** Ваш холодильник следует установить, по крайней мере, в 30 см от источников тепла, таких как газовые конфорки, плиты, батареи центрального отопления и печи, и, по крайней мере, в 5 см от электрических плит, в месте, куда не попадает прямой солнечный свет.
- i** Температура воздуха в помещении, где устанавливается холодильник, должна быть не менее 10°C. Использовать холодильник при более низкой температуре не рекомендуется в связи с его низкой эффективностью в таких условиях.
- i** Содержите внутреннее пространство холодильника в чистоте.
- i** Если два холодильника устанавливаются рядом, то между ними должно быть расстояние не менее 2 см.
- i** При первом включении холодильника просим соблюдать следующие инструкции во время первых шести часов работы.
 - Не открывайте дверцу слишком часто.
 - Не загружайте в холодильник продукты.
 - Не отключайте холодильник от электрической сети. Если произошло отключение электроэнергии не по вашей вине, см. указания в разделе «Рекомендации по устранению неполадок».
- i** Оригинальную упаковку и пленку следует сохранить для последующей транспортировки или перевозки изделия.

5 Пользование холодильником

Установка рабочей температуры



Рабочая температура регулируется соответствующим регулятором.



1 = Наименьшее значение охлаждения (самая высокая температура)

5 = Самое высшее значение охлаждения (самая низкая температура)

(или)

Min. = Наименьшее охлаждение (самая высокая температура)

Max. = Наибольшее охлаждение (самая низкая температура)

Средняя температура в холодильнике должна быть около +5°C.

Установите значение, соответствующее нужной температуре.

Имейте в виду, что в области охлаждения будут разные температуры.

Самая холодная область располагается непосредственно над контейнером для овощей и фруктов.

Температура внутри холодильника также зависит от температуры окружающей среды, частоты открывания дверцы и количества хранимых продуктов.

Если дверца открывается часто, то температура внутри повышается.

По этой причине рекомендуется как можно скорее закрывать дверцу.

Пользование внутренними отделениями

Съемные полки; Расстояние между полками можно при необходимости изменить.

Выдвижной ящик для овощей: Овощи и фрукты могут храниться здесь долгое время, не гняя.

Полка для бутылок: На эти полки можно поместить бутылки и банки.

Охлаждение

Хранение продуктов

Камера холодильника предназначена для непродолжительного хранения свежих продуктов и напитков.

Молочные продукты следует хранить в предназначенном для них отсеке холодильника.

Бутылки можно хранить в держателе или на полке для бутылок в дверце холодильника.

Сырое мясо лучше всего хранить в полиэтиленовом пакете в отсеке в самом низу холодильника.

Прежде чем помещать горячие продукты и напитки в холодильник, дайте им остыть до комнатной температуры.

• **Внимание!**

Концентрированные спиртные напитки следует хранить только в вертикальном положении и плотно закрытыми.

• **Внимание!**

В холодильнике нельзя хранить взрывчатые вещества или баллончики с воспламеняющимися сжатыми газами (консервированные сливки, аэрозольные баллоны и т. д.).

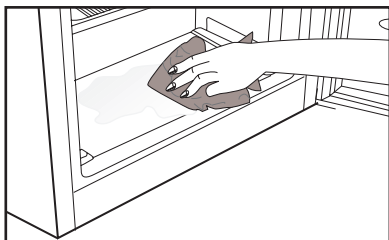
Существует опасность взрыва.

Размораживание

Холодильное отделение размораживается автоматически. Талая вода стекает через сливной канал в накопительную емкость, которая расположена с обратной стороны устройства

Во время размораживания из-за испарения на задней стенке холодильника образуются капли воды.

Если не все капли стекут вниз, они могут снова замерзнуть после размораживания. Их следует удалить тканью, смоченной в теплой воде, но не твердым или острым предметом.



6 Обслуживание и чистка

- ⚠ Ни в коем случае не используйте бензин, бензол или подобные вещества для чистки.
- ⚠ Перед чисткой рекомендуем отсоединить изделие от электросети.
- ⓘ Не используйте для чистки острые абразивные инструменты, мыло, бытовые чистящие средства, моющие средства и восковую политуру.
- ⓘ Если говорить об изделиях без автоматического размораживания, то на задней стенке холодильной камеры образуются стекающие капли воды и слой наледи размером с ширину пальца. Запрещается чистить, наносить масло или аналогичные вещества.
- ⓘ Используйте только слегка увлажненные ткани из микроволокна для очистки наружной поверхности изделия. Губки и другие типы чистящих салфеток могут поцарапать поверхность.
- ⓘ Корпус изделия промойте теплой водой и затем вытрите насухо.
- ⓘ Протрите внутреннюю поверхность изделия хорошо отжатой тканью, смоченной в растворе питьевой соды (1 чайная ложка на пол-литра воды), и вытрите насухо.
- ⚠ Не допускайте попадания воды в корпус лампочки и в другие электрические компоненты.
- ⚠ Если холодильник не будет использоваться в течение длительного времени, отключите сетевой шнур, извлеките все продукты, выполните чистку и оставьте дверцу приоткрытой.
- ⓘ Регулярно проверяйте, не испачкан ли уплотнитель дверцы частицами пищи.
- ⓘ Для снятия полок в дверце полностью разгрузите их, а затем просто приподнимите вверх.
- ⓘ Для чистки наружных поверхностей и хромированных деталей изделия ни в коем случае не используйте чистящие средства или воду, содержащие хлор. Хлор вызывает коррозию таких металлических поверхностей.
- ⓘ Не используйте острые и абразивные инструменты или мыло, бытовые чистящие средства, синтетические моющие средства, бензин, бензол, воск и т.д., иначе маркировка на пластиковых деталях исчезнет, и будет иметь место деформация. Используйте для очистки и вытирания насухо теплую воду и мягкую ткань.

Защита пластмассовых поверхностей

- Не храните жидкое масло или продукты, приготовленные с добавлением масла, в морозильной камере в открытых контейнерах, так как они могут повредить пластмассовые поверхности. Если же масло протекло или попало на пластмассовую поверхность, сразу же очистите и промойте это место теплой водой.

7 Рекомендации по устранению неисправностей

Прежде чем обращаться в сервисный центр, просмотрите этот перечень. Это может помочь сэкономить время и деньги. Ниже перечислены часто возникающие проблемы, причиной которых не являются дефекты производства или материалов. Некоторые из описанных здесь функций могут отсутствовать в вашей модели.

Холодильник не работает.

- Правильно ли включен холодильник в сеть? Вставьте вилку в розетку электросети.
- Не перегорел ли предохранитель розетки, в которую включен холодильник, или главный предохранитель? Проверьте предохранитель.

Конденсация на боковой стенке отделения холодильника (MULTI ZONE, COOL CONTROL и FLEXI ZONE).

- Очень низкая температура окружающей среды. Частое открывание и закрывание дверцы. Изделие работает в условиях повышенной влажности. Хранение продуктов, содержащих жидкость, в открытых контейнерах. Неплотно закрыта дверца.
- Переключите термостат на более низкую температуру.
- Сократите периоды, когда дверца остается открытой, или открывайте ее реже.
- Накройте продукты, хранящиеся в открытых контейнерах, подходящим материалом.
- Вытрите конденсат сухой тканью и проверьте, не образуется ли он снова.

Не работает компрессор

- Термозащита компрессора может сработать при неожиданных отключениях энергоснабжения либо при выключении-включении прибора, поскольку давление хладагента в системе охлаждения не успевает стабилизироваться.
 - Холодильник начнет работать примерно через 6 минут. Если по истечении этого времени холодильник не заработал, обратитесь в сервисный центр.
 - Холодильник находится в режиме размораживания. Это нормально для холодильника с автоматическим размораживанием. Размораживание выполняется регулярно.
 - Холодильник не включен в розетку электросети. Убедитесь, что вилка плотно вставлена в розетку электросети.
 - Правильно ли отрегулирована температура? Нарушение подачи электроэнергии. Обратитесь к поставщику электроэнергии.
- Холодильник включается слишком часто или работает слишком долго.

• Новый холодильник может быть больше того, которым вы пользовались раньше. Это вполне нормально – большие холодильники работают в течение более длительных периодов времени.

• Возможно, температура в помещении повышена. Это вполне нормально.

• Возможно, холодильник был недавно включен или только что загружен продуктами. Полное охлаждение холодильника может продолжаться на несколько часов дольше.

• Возможно, в холодильник недавно поместили большое количество горячих продуктов. Из-за наличия горячих продуктов холодильник будет работать дольше, чтобы достичь нужной температуры хранения.

• Возможно, дверцы часто открываются либо оставались приоткрытыми в течение длительного времени. При попадании в холодильник теплого воздуха, он будет работать дольше. Открывайте дверцы реже.

• Неплотно закрыта дверца морозильного или холодильного отделения. Проверьте, плотно ли закрыты дверцы.

• Холодильник отрегулирован на очень низкую температуру. Установите в холодильнике более высокую температуру и подождите, пока установленная температура не будет достигнута.

• Возможно, уплотнитель дверцы холодильного или морозильного отделения загрязнен, изношен, разорван или неправильно установлен. Почистите или замените уплотнитель. Из-за поврежденного или разорванного уплотнителя холодильник будет работать дольше, чтобы поддерживать текущую температуру.

Температура в морозильном отделении слишком низкая, в то время как температура в холодильном отделении достаточная.

• Температура морозильного отделения установлена на очень низкое значение. Установите в морозильном отделении более высокую температуру и проверьте работу.

Температура холодильного отделения очень низкая, в то время как температура в морозильном отделении достаточная.

• Температура в холодильном отделении установлена на очень низкое значение. Установите в холодильном отделении более высокую температуру и проверьте работу.

Замерзают продукты в выдвижных контейнерах холодильного отделения.

• Температура в холодильном отделении установлена на очень низкое значение. Установите в холодильном отделении более высокую температуру и проверьте работу.

Температура в холодильном и морозильном отделениях слишком высокая.

• Температура в холодильном отделении установлена на очень высокое значение. Температура в холодильном отделении влияет на температуру в морозильном отделении. Изменяйте температуру в холодильном или морозильном отделении, пока не будет достигнут нужный уровень температуры.

• Возможно, неплотно закрыта дверца. Полностью закройте дверцу.

• Возможно, в холодильник недавно поместили большое количество горячих продуктов. Подождите, пока холодильное или морозильное отделение достигнет нужной температуры.

• Возможно, холодильник был недавно включен в сеть. Для полного охлаждения потребуется некоторое время из-за большого размера холодильника.

Из холодильника доносится шум, похожий на тиканье механических часов.

<ul style="list-style-type: none"> • Этот шум вызван работой электромагнитного клапана холодильника. Он обеспечивает прохождение хладагента, который выполняет охлаждение, через отделения холодильника, в которых установлена температура охлаждения или замораживания. Это вполне нормально и не является неисправностью.
<p>Уровень рабочего шума повышается во время работы холодильника.</p>
<ul style="list-style-type: none"> • Рабочие характеристики изделия могут изменяться в зависимости от изменений температуры окружающей среды. Это нормально и не является неисправностью.
<p>Вибрация или шум.</p>
<ul style="list-style-type: none"> • Пол неровный или нежесткий. Холодильник медленно перемещается и при этом дрожит. Убедитесь в том, что пол ровный и достаточно прочный, чтобы выдержать вес изделия. • Шум могут вызывать предметы, которые находятся на холодильнике. Такие предметы следует убрать с холодильника.
<p>Слышен шум льющейся или разбрызгивающейся жидкости.</p>
<ul style="list-style-type: none"> • Расход жидкости и газа изменяется в соответствии с принципами работы изделия. Это нормально и не является неисправностью.
<p>Слышен шум, похожий на шум ветра.</p>
<ul style="list-style-type: none"> • Для обеспечения эффективного охлаждения в холодильнике используются устройства подачи воздуха (вентиляторы). Это нормально и не является неисправностью.
<p>Конденсация влаги на внутренних стенках холодильника.</p>

<ul style="list-style-type: none"> • Жаркая и влажная погода способствует образованию льда и конденсации влаги. Это нормально и не является неисправностью. • Дверцы приоткрыты. Убедитесь, что дверцы полностью закрыты. • Возможно, дверцы открывались очень часто, или дверца оставалась открытой длительное время. Открывайте дверцу реже.
<p>Появление влаги снаружи холодильника или между дверцами.</p>
<ul style="list-style-type: none"> • Возможно, причина во влажной погоде. Это вполне нормально при влажной погоде. Когда влажность уменьшится, конденсация исчезнет.
<p>Неприятный запах внутри холодильника.</p>
<ul style="list-style-type: none"> • Следует выполнить чистку внутри холодильника. Протрите холодильник внутри губкой, смоченной в теплой воде или в газированной воде. • Некоторые контейнеры или упаковочные материалы также могут быть источником запаха. Используйте другой контейнер или упаковочный материал другой марки.
<p>Дверца (дверцы) не закрывается (не закрываются).</p>
<ul style="list-style-type: none"> • Упаковки продуктов могут препятствовать закрыванию дверцы. Переместите упакованные продукты, препятствующие закрытию дверцы. • Возможно, холодильник стоит не совсем вертикально, это может вызвать дрожание при любом перемещении. Отрегулируйте регулировочные винты. • Пол неровный или нежесткий. Убедитесь в том, что пол ровный и может выдержать вес холодильника.
<p>Контейнеры для фруктов и овощей прилипли.</p>

- Возможно, продукты касаются верхней части контейнера. Переместите продукты в контейнере.

Горячая Поверхность Изделия

- Во время работы изделия поверхность между двумя дверцами, на боковых панелях и у задней решетки может нагреваться до высокой температуры. Это нормальное явление, не требующее сервисного обслуживания!

Kundendienst

Führen Sie auf keinen Fall Arbeiten, vor allem an den elektrischen Teilen des Gerätes, selbst aus.

Zuständige TEKA - Kundendienstadresse:

DEUTSCHLAND

EGS GmbH

Dieselstrasse 1

33397 Rietberg / DEUTSCHLAND

Kundentelefon für Deutschland: 02944 - 971 675 0

Telefax: 02944 - 971 677

E-Mail: tdv@egs-gmbh.de

Internet: www.egs-gmbh.de

Bitte geben Sie unbedingt an:

- Vollständige Anschrift und Telefon Nr.**
- Gerätetyp und Seriennummer.**
(Ist auf dem Rating Label zu sehen)
- Fehlerbeschreibung.**