



INSTRUCTION MANUAL

EN

MANUAL DE INSTRUCCIONES

ES

TS1 138

REFRIGERADOR



This appliance is not intended for use by persons (including children) with reduced physical, sensory or mental capabilities, or lack of experience and knowledge, unless they have been given supervision or instruction concerning use of the appliance by a person responsible for their safety.

Children should be supervised to ensure that they do not play with the appliance.

If the supply cord is damaged, it must be replaced by the manufacturer, its service agent or similarly qualified persons in order to avoid a hazard.

General

This type of refrigerator is widely used in places such as hotels ,offices, student dormitories and houses. It is mostly suitable for refrigerating and preserving foods such as fruits and beverage. It enjoys the advantages of small size, Lightweight, Low electric consumption and easy use.

Instructions for Installation

- 1.Do not tilt the refrigerator for more than 45⁰ form upright during moving it. And do not apply force on any part such as condenser and door to prevent the refrigerator from deforming, or else it will influence its performance.
- 2.Let the refrigerator have enough space to work well.
- 3.Don't install it in high temperature of humidity place so as

to avoid being damaged, dampened and rusted.

Cautions for Safety

1. Before the refrigerator is plugged in check in the electric voltage to be used fit is the same as the rated voltage. The power plug should have its independent socket, adapter may cause the socket overheat.
2. Don't store inflammable materials such as ether, benzene, LP gas and glue etc in the refrigerator.
3. Don't splash water on the refrigerator, it may arouse malfunction or electric shock.
4. When gas leaks from its container. Don't pull the plug out or in. it may arouse sparks and fire calamities.

SPACE REQUIREMENTS

This appliance is intended to be used in household and similar applications such as

- staff kitchen areas in shops, offices and other working environments;
- farm houses and by clients in hotels, motels and other residential type environments;
- bed and breakfast type environments;
- catering and similar non-retail applications.

WARNING:

Keep flammable materials and vapors, such as gasoline, away from refrigerator-freezer.

Failure to do so can result in death, explosion, fire or burns.

To ensure proper ventilation for your refrigerator-freezer, allow for 200mm space on each side between walls, 200mm space between back of your refrigerator-freezer and the wall, and 300mm space between counter top and the roof or ceiling.

If you are installing your refrigerator-freezer next to a fixed wall, leave sufficient space on the hinge side to allow for the door to swing open.

Never install your refrigerator-freezer near heat source and direct sun shines.

– **WARNING:** Keep ventilation openings, in the appliance enclosure or in the built-in structure, clear of obstruction.

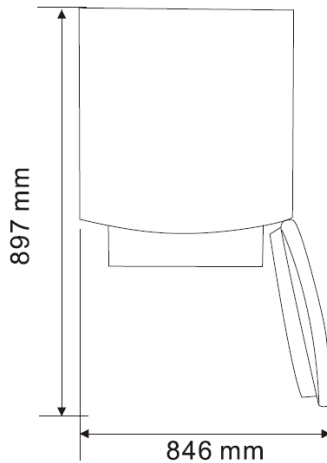
– **WARNING:** Do not use mechanical devices or other means to accelerate the defrosting process, other than those recommended by the manufacturer.

– **WARNING:** Do not damage the refrigerant circuit.

– **WARNING:** Do not use electrical appliances inside the food storage compartments of the appliance, unless they are of the type recommended by the manufacturer.

Do not store explosive substances such as aerosol cans with a flammable propellant in this appliance.

The dimensions of refrigerator are shown in the figure below



Instructions for Use

1. When operating the refrigerator for the first time, run it without loading any food until it autos tops at the desired temperature. Usually it takes 2 or 3 hours, then set the thermostatic dial at the setting desired and put foods in the refrigerator.
2. The temperature of the refrigerator can be adjusted by turning the thermostatic dial. A medium setting of the thermostatic dial is the most suitable for general operation.
3. Defrost the freezing compartment whenever the layer of frost on the surface of the evaporator reaches 3 or 4 mm.

When defrosting remove all food and set the thermostat at “OFF” position. Put the drip tray under the evaporator to collect melted water. After the frost has melted, discard the melted water and dry up the interior of refrigerator. The refrigerator can then be restarted by turning its thermostat to the desired setting.

Cautions for Use

- 1.The more foods tuff put in or the more and the longer for once the door is opened, the more it needs electric consumption, which even leads malfunction.
- 2.Better not to place the objects which are too heavy ,pointed or corrosion on table board.
- 3.Re-plugging in the power plug at the interval of over ten minutes.
- 4.Don't store bottled drink in the freezer, so as to prevent from being broken and damaging the refrigerator.
- 5.Open the door as less as possible during power-cut.
- 6.When defrosting, never use any sharp or metallic objects to remove the frost on the surface of the evaporator as it will damage the evaporator.
- 7.Don't touch foods and containers in the freezing compartment with your wet hands so as to prevent from being frostbitten.

Maintenance

1. While cleaning the refrigerator, pull out the electric power plug, rub carefully with a piece of cloth soaked with natural cleanser then wipe with clean water. The abrasive cleaning power, alkali cleansers, chemical cloth, thinner, alcohol, acid petroleum product and hot water are not suitable for cleaning the refrigerator, they may damage the painting cover and plastics.
2. The door gasket is dirty and fogged easily, so clean it frequently.
3. If the refrigerator is out of use for a long time, please pull out the plug, clean and dry the freezing compartment then close the door tightly.

The following cases are not malfunction

1. A flowing water sound:
Flowing water sound will be heard under normal operation.
2. Outside condensation:
Outside condensation is normal in high humidity condition. You may just wipe it up yourself.
3. It takes some times for the temperature of the freezer and refrigerator compartments to become cold after the refrigerator starts to operate: If the temperature of the two compartments is higher while the refrigerator is operating, it takes some times for the temperature of the two compartments to become cold. If the environmental temperature is higher, it takes a long time to make the

compartments to become cold.

4. The surface of the compressor becomes hot:

The surface of the compressor may become hot under normal operation. Don't touch it with hands.

Methods of inspecting malfunction

If any case of malfunction happens, please inspect and dispel it according to the methods shown in the following table.

case	Inspection
Not refrigerating	Is there no electric current? Is the voltage normal or not? Has the socket fused? Has the plug been put in effectively?
Not efficient	Is the thermostatic dial set to the correct position? Is there any suitable clearance surrounding the refrigerator? Has the door been opened too frequently or too long? Is the refrigerator exposed to sunlight directly or placed near some heating devices. Are there too much food inside? Or are too hot?

Food frozen in the refrigerator Compartment	Is the thermostatic dial set to the correct position? Have the foods stuff been put too crowded?
Noises	Is the refrigerator installed firmly? Has the refrigerator been struck by some other objects?
Compressor Cannot stop automatically	Are the foods stored too much at one setting? Are the doors opened too frequently or too long?

If the above methods are not yet effective, please contact with the maintenance service department for help without any delay.

DANGER or WARNING:

1. Risk of child entrapment. Before you throw away your old refrigerator or freezer:

-Take off doors.

-Leave the shelves in place so that children may not easily climb inside.”

2. Do not use extension cords.

For household refrigerating appliances

Try not to open the door too often, especially when the weather is wet and hot. Once you open the door, mind to close

it as soon as possible.

Every now and then check if the appliance is sufficiently ventilated (adequate air circulation behind the appliance).

For household refrigerating appliances, in normal temperature conditions, please arrange the thermostat at the middle setting.

Before loading the appliance with packages of fresh foods, make sure they are cooled to ambient temperature.

Ice and frost layer increase energy consumption, so do clean the appliance as soon as the layer is 3-5 mm thick.

If it is the outer condenser, the rear wall should be always clean free of dust or any impurities.

Always consider instructions stated in sections Positioning and Energy Saving Tips, otherwise the energy consumption is substantially higher.

Correct Disposal of this product



Correct Disposal of this product

This marking indicates that this product should not be disposed with other household wastes throughout the EU. To prevent possible harm to the environment or human health from uncontrolled waste disposal, recycle it responsibly to promote the sustainable reuse of material resources. To return your used device, please use the return and collection systems or contact the retailer where the product was purchased. They can take this product for environmental safe recycling.

El uso de este aparato no está dirigido a personas (incluyendo los niños) con minusvalías físicas, sensoriales o mentales, o sin experiencia ni conocimientos, a menos que se les someta a supervisión o se les instruya respecto a su uso por parte de una persona responsable de su seguridad.

Los niños deben estar bajo supervisión para garantizar que no juegan con el aparato.

Si el cable de alimentación está dañado, debe ser sustituido por el fabricante, su agente de servicios o personas cualificadas de forma similar, para evitar riesgos.

General

Este tipo de frigorífico es ampliamente usado en lugares tales como hoteles, oficinas, residencias de estudiantes y casas. Resulta adecuado para enfriar y mantener alimentos como frutas o bebidas. Se beneficia de la ventaja de su tamaño, su peso ligero, su bajo consumo eléctrico y su fácil uso.

Instrucciones de instalación

1. No incline el frigorífico más de 45° de su posición vertical durante su traslado. Y no aplique la fuerza en ninguna parte del frigorífico como puede ser la puerta para prevenir deformaciones en el aparato o esto influirá en su rendimiento.
2. Permita que el frigorífico tenga el espacio suficiente para que funcione correctamente.
3. No lo instale en lugares con altos niveles de humedad para evitar que se dañe, abolle u oxide.

Precauciones de seguridad

1. Antes de conectar el frigorífico a la tensión eléctrica asegúrese de que coincide con el voltaje nominal. La potencia del enchufe debe tener su entrada independiente, un adaptador puede causar un recalentamiento del enchufe.
2. No almacene materiales inflamables tales como éter, bencina, gas licuado del petróleo o pegamento en el frigorífico.
3. No salpique agua sobre el frigorífico, ello puede causar malformaciones o descargas eléctricas.
4. Si se producen fugas de gas del contenedor no desenchufe o enchufe el aparato, esto puede producir chispas e incendios.

REQUERIMIENTOS DE ESPACIO

Este aparato está previsto para su uso doméstico o aplicaciones similares tales como:

- Cocinas para el restaurante, oficinas u otros ambientes de trabajo;
- Granjas, cientes de hoteles, moteles y otro tipo de ambientes residenciales;
- Ambientes como hostales;
- Catering y usos no minoristas.

CUIDADO:

Mantenga materiales inflamables y vapores, tales como gasolina, lejos del refrigerador.

No cumplir con ellos puede causar la muerte, explosión, fuego o quemaduras.

Para asegurar una adecuada ventilación de su refrigerador permita unos 200 mm de espacio entre cada lado del aparato y la pared, 20 mm entre la parte de atrás y la pared y 300mm entre la parte de arriba y el techo.

Si instalas tu refrigerador al lado de una pared fija, deje espacio suficiente en el lado de la bisagra para que se abran la puerta.

Nunca instale su refrigerador cerca de una fuente de calor o en contacto directo con el sol.

CUIDADO: Mantenga las ranuras de ventilación, en el recinto del aparato o en su estructura de integración, limpia de obstrucciones.

CUIDADO: No utilice dispositivos mecánicos u otros para acelerar el proceso de descongelación más que los recomendados por el fabricante.

CUIDADO: No dañe el circuito de refrigeración.

CUIDADO: No utilice aparatos eléctricos dentro de los compartimientos de almacenamiento de comida a menos que sean del tipo recomendado por el fabricante. No almacene sustancias explosivas como botes de aerosol con propulsor inflamable en este aparato.

Las dimensiones del refrigerador se muestran en la siguiente figura:

