

BE LINEA R15 21.17

Stainless steel kitchen sink
Undermount

TEKA



Material: Stainless steel

Finish: Polished

Installation: Undermount

Drain size: 3 1/2"

Gauge: 18

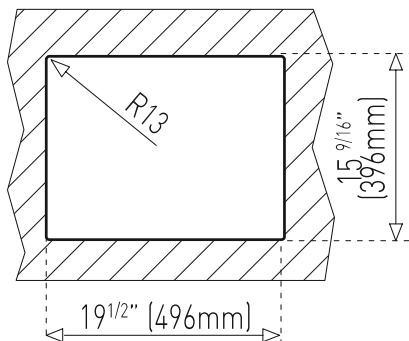
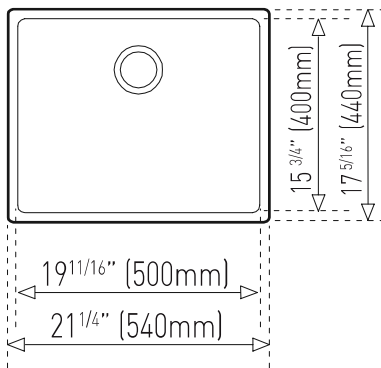
SilentSmart system

Includes: basket waste strainer and installation hardware

Dimensions:

External (L/W): 21 1/4" x 17 5/16" (540 x 440 mm)

Bowl (L/W/D): 19 11/16" x 15 3/4" x 7 11/16" (500 x 400 x 195 mm)



Tapholes

-

Code

115000002

UPC

606896010156

Packaging

Box



Limited lifetime warranty for TEKA stainless steel kitchen sinks.

See our website for more details.



Product compliance:

ASME A112.19.3/CSA B45.4



Sinks are listed by IAPMO as meeting the applicable requirements of the Uniform Plumbing Code, International Plumbing Code, and National Plumbing Code of Canada.

